

ALL THE PARTS YOU NEED



MG F & MG TF

PARTS & ACCESSORIES CATALOGUE



RIMMER
BROS

EDITION 2.0
SOURCE CODE MGTFO616

THE RIMMER BROS SERVICE

WE HAVE THE
PARTS

WE GUARANTEE
THE QUALITY

WE'RE KEEN
ON PRICE

WE DELIVER
FAST

WE KNOW YOUR
CAR



HELPING YOU CARE FOR YOUR MGF

The MGF is seen as the last, mass produced, British made Sports Car and has a long Heritage behind it. In its relatively short production life of 10 years, over 117,000 vehicles were made, many of which still survive. With a strong enthusiast's following and good availability of affordable parts, the future looks good for the MGF. Many cars are now in need of restoration, others in need of some TLC. Whatever your requirements, Rimmer Bros should be able to help with the parts you need.

When the Rover Group went into administration in April 2005, many MG Rover owners started to panic about on-going parts supply. Unbeknown to most owners, the parts side of MG Rover had been sold the previous year to Caterpillar, who continued to distribute MG Rover parts through Xpart, so in fact the parts situation was not as bad as people made out. We believe it has improved even further since then. As MG Rover dealers started to close down, Rimmer Bros saw this as an opportunity to develop their existing business, which had started out in 1982 supplying Triumph parts and

later on, Land Rover parts. Bolting on MG Rover parts to our business seemed a natural progression, so later that year we acquired the parts division of a local MG Rover Parts Distributor and hit the ground running supplying parts to the 1m+ cars that were still on the road. Now, Rimmer Bros is the largest MG Rover Parts Distributor worldwide and carry vast stocks, all in one central location. In addition to supplying genuine parts, we also offer a range of Aftermarket parts and enhancements to improve your car.

With this catalogue, we aim to keep your task of maintaining and restoring your MGF as easy as possible, not only with unbeatable spare parts stock, but with affordable prices, swift and efficient service.

Approved MG Rover Parts Distributor

Rimmer Bros is an approved MG Rover Parts Distributor which means we have direct access to the full range of genuine MG Rover parts - for every model. Our catalogue features both Original and Aftermarket parts.



BRITISH MOTOR HERITAGE

Heritage Approval means that Rimmer Bros meet strict criteria regarding quality of service, product knowledge, financial stability, premises and that they carry a broad range of Heritage Original Equipment parts in stock.

Only the premier companies in the classic sector are approved to display the accreditation sign. Rimmer Bros have been Heritage approved since 1987.

Customer Benefits

The quality of service you receive is of the highest order and you know you are dealing with the best companies in the classic sector.

British Motor Heritage parts are produced to the highest standards, mostly from the original tooling and to the original specification.

All British Motor Heritage parts are identified by a distinctive product label.



THE CARS WE SPECIALISE IN

As well as caring for your MGF & MG TF, we also supply parts for most MG Rover cars including- Rover 100/200/400/600/800/25/45/75/ZT.

Additionally, we also supply parts for Triumph TR2, TR3, TR4, TR5, TR6, TR7/8, Stag, Herald, Vitesse, Spitfire,

GT6, 2000/2500/2.5Pi, Dolomite, Rover SD1, Range Rover, Discovery, Freelander, Defender, 90/110 & Land Rover 'Series' vehicles.

Please refer to inside rear cover for details on all our catalogues.



UK - WORLDWIDE



**RIMMER
BROS**



SO WHERE DO WE GET OUR PARTS

Wherever possible we supply original stock from MG Rover sources - lots of parts are still manufactured. We supply both Genuine MG Rover Parts - which offer the best quality and service life - as well as quality Aftermarket Parts - usually high demand parts such as service items, brakes, suspension, exhausts etc, often from the OE (original equipment) supplier.

PART NUMBERS

In general, we use MG Rover part numbers to identify original MG Rover parts. When an aftermarket or alternative is available the part number is identified in the Price Guide or website with a (P) suffix, a manufacturer suffix or other suffix (such as uprated (UR), stainless steel (SS) etc. A P1 suffix denotes OEM (original equipment manufacture) - a genuine part but not MG Rover boxed.



THE STOCK WE NEED TO GIVE THE SERVICE YOU NEED

Our degree of specialisation means two things.

Firstly, our people know the cars we're dealing with inside and out, and can give you any advice you might need regarding part selection.

Secondly, we are able to stock in depth just about any part you might need. Triumph House was acquired in 1991. Now with over 100,000 square feet of warehousing alone, it is a cavernous building, and it needs to be! It currently contains more than 700,000 recorded part numbers, over 45,000 stock lines, over 2,000,000 parts and we hold as many of each as necessary to make it almost impossible to run out of stock.

All other aspects of our operation receive equal emphasis. A truly efficient mail order and stock control system. The latest racking and storage facilities for fast and accurate "order picking." Careful packaging and despatch procedures.



THE PEOPLE YOU'RE DEALING WITH

This company really is owned by two brothers named Rimmer. Bill and Graham started their business from humble beginnings in the early 1980s, and it has grown to be one of the leading organisations of its kind in the world, supplying parts Worldwide to an ever growing list of customers.

Both Bill and Graham still work full-time in the business, helped now by over 65 members of staff.

The main qualification of membership of our staff is a recognition that our customers, and our company reputation, depend on our ability to get every aspect of our service right first time.



COMMITMENT TO CUSTOMER SERVICE

Helpful - Accurate - Fast - Efficient

The overall objective at Rimmer Bros is to achieve customer satisfaction at all times.

Our people know your car well, and every member of our staff is dedicated in helping to preserve Classic Cars.

Our computer system and web site give up-to-the minute information regarding availability and the price of any item.

We have an enviable reputation for despatching goods when the customer needs it, quickly and efficiently.

We try to make all our systems and documentation easy to follow and use, and make sure that our catalogues really do help our customers choose the right parts easily, first time.



TRADE MARKS & LOGOS: The 'MG & Rover' logos used herein are registered Trade Marks of British Motor Heritage Ltd or their respective owners.

ILLUSTRATIONS: The factory line drawings of parts are reproduced under license from Neovia Logistics Ltd and British Motor Heritage Ltd.

© Copyright Rimmer Bros. All rights reserved. No part of this publication may be copied, reproduced, stored in any retrieval system, communicated or transmitted in any form or by any means, including Photocopying, Electronic, Mechanical or otherwise, without prior written permission from Rimmer Bros Ltd.

THE MG ROVER PARTS SPECIALIST

RIMMER BROS

TELEPHONE

01522 568000

(Overseas +44 1522 568000)

FAX

01522 567600

(Overseas +44 1522 567600)

E-MAIL

mgrover@rimmerbros.co.uk

WEBSITE

www.rimmerbros.co.uk

ADDRESS

Rimmer Bros, Triumph House,
Sleaford Road, Bracebridge Heath,
Lincoln, LN4 2NA, England.

ORDERING ON-LINE

Our website hosts all our Parts Catalogues and also displays current prices and availability of parts.

**Placing an order is easy -
24/7/365! - and secure!**

www.rimmerbros.co.uk
mgrover@rimmerbros.co.uk



Join our email list
for all the latest news and special offers.

EMAIL ENQUIRIES

We are also happy to handle your enquiry
or order by email.

mgrover@rimmerbros.co.uk

HOW TO

THIS CATALOGUE

There are no prices in this catalogue. Use it to select the parts you need, then check their cost by referring to our web site or the separate Price Guide/CD rom.

ORDERING BY PHONE

UK TELEPHONE SALES: 01522 568000 OVERSEAS TELEPHONE SALES +44 1522 568000
See also "Overseas Orders & Payment."



Please quote your home postcode and part numbers where possible. This gives instant access to our stock control system. If you have any difficulty in selecting the parts you need, our expert staff can help.

UK Payment for Phone Orders

When you have checked on price, availability and delivery costs you can place your order by phone using Visa, MasterCard, Visa Debit/Electron, Maestro, PayPal, American Express, Diners Club, or JCB. You will need to tell us the card number, expiry date (or issue number), CVC security number, cardholder's full name and registered card address.

After Hours Ordering Service

We operate a 24-hour answering/ordering service which is available to card holders out of normal hours for both UK and Overseas customers. Just leave all necessary details on our telephone voice mails, ie your vehicle type, year, model, the parts and/or the part numbers you require, plus your name, address (inc. postcode), credit card details and delivery address (if different).

Writing out these details before phoning usually helps a caller to give us clear instructions. If at all possible, please also leave a daytime telephone number.

ORDERING BY POST

Triumph House, Sleaford Road, Bracebridge Heath, Lincoln, LN4 2NA, England.

We ask you to phone first if at all possible - to check your parts selection, and to advise of delivery charges. Because prices and availability sometimes change, we can also confirm the exact remittance needed, avoiding unnecessary delays. If you have not been able to telephone, please give us all possible information - car type/year, RH or LH, front/rear etc - so we can check your selection (including your name, address and postcode) in all correspondence.

Use our Order Form if you can. It asks specifically for all the details we might need. Please photostat or request additional copies of the order form if required.

UK Payment for Post Orders (see also "Overseas Orders & Payment").

If paying by cheque, please write your full name and address on the back. Clearance may take a few days, so please allow extra time for delivery.

You can also pay by bank transfer, postal orders, bank or building society cheque or credit/debit card. If you send cash or Rimmer Bros vouchers, use registered mail, as we cannot accept responsibility for any loss.

ORDERING BY FAX

UK SALES FAX: 01522 567600 OVERSEAS SALES FAX: +44 1522 567600
See also "Overseas Orders & Payment."

Another facility for customers who wish to make enquiries, or order by credit, debit or charge card. Again, we will need your name, address (inc. postcode), credit card details and delivery address (if different). Plus fullest possible car/parts details - as for orders by post.

COLLECTING IN PERSON

If you wish to 'call and collect', you will always be made welcome at our shop and sales counter during business hours. Our Visitor Information Centre has lots of interesting details of each production model and the factories where they were produced.

Customers drive here regularly from all over Europe. Lincoln is a historic Cathedral city and is an excellent place to visit. We're about 2 miles south of Lincoln on the A15 Lincoln to Sleaford road (see map on back cover). We advise you to pre-check by phone that we have the part/s you want in stock. You may also place your order on-line. Select the 'Counter Collection' delivery option, and we will have the order waiting for you.

We accept payment by credit/debit card, cash, bank draft or building society cheque. If paying by personal cheque, we may require some form of photo ID, such as a driving licence or passport.

PRICING

For full information and details on prices, VAT, & VAT exempt export sales, please refer to our web site, or Price Guide/CD Rom. Written quotations are available on request, for parts and/or delivery charges. Please confirm all prices when ordering - prices and availability can sometimes change at short notice.

OVERSEAS ORDERS & PAYMENT

We supply parts to car owners Worldwide. We have thousands of customers in Europe and regularly send parts as far afield as Australia, North America, Africa and the Far East. Delivery costs of course, vary greatly (depending on size/weight/ urgency). We can quote accurately for the cost of parts and delivery once your requirements are known.

Our Multi-language European Order Forms explain how to order parts in English, Italian, German, Spanish and French, please request if needed.

Payment By Export Customers:

There is a choice of payment methods for customers overseas;

- A) Credit card, Debit card or Charge card.
- B) Bank cheque - in ££s sterling (Drawn on a London Bank)
- C) Travellers Cheques (signed) - in ££s sterling.
- D) By Bank Transfer - see web site for details.

Please note that all transactions must be in ££s sterling.



CHOICE OF DELIVERY METHODS

(For Further Information/Cost Details, Please Refer to Web Site)

UNITED KINGDOM

There are numerous delivery options for the UK mainland ranging from Post to overnight carrier services. We can advise of the best method of despatch when you contact us. The type of service that we recommend depends upon the size, weight and urgency of the parts you require. Our web site indicates the approximate costs.

WORLDWIDE (NON EC COUNTRIES)

We started exporting parts Worldwide in 1982, and since then we have gained an excellent reputation for our speed & efficiency of service. Delivery costs are based on size, weight, and method of delivery. We have discounted rates with well known carriers, so costs are kept to a minimum. Send us a list of the parts you need (using post, phone, fax or E-Mail), tell us quantities and urgency, and we will work out the best delivery method and quickly advise you of the cost. Written quotations are available on request. Please note that any local import duty, taxes or customs clearance are not included in our prices.

EC COUNTRIES

The European Community Single Market permits the free movement of goods between all EC countries. This allows us to provide a superb service to all our customers within the EC, with the benefits of improved delivery - via lower charges and easier documentation. Deliveries can be easily arranged using air or surface transport. Our web site indicates approximate costs.

BACK-ORDERS

Back-ordered items are not charged for until despatch. Upon despatch we will charge the price quoted at the time of ordering. Prices will be unaffected by any subsequent price alterations unless advised in writing to you. Please notify us in writing (letter, fax or e-mail) if you wish to cancel any back ordered items. Back orders will be automatically cancelled after 3 months.

SPECIAL ORDERS

Certain items (coloured trim, carpets, hoods etc) are sometimes only available by special order. This means we have to order them for you specially from the manufacturer. For this reason, we require a 20% non-refundable deposit upon taking your order. The balance is payable when the goods are despatched. Please note that special order items can take several weeks to be supplied.

WARRANTY & RETURNS

Please refer to our web site for full details.

CATALOGUE CONTENTS

ALSO SEE INDEX ON PAGE 160

PRODUCTION SUMMARY & SERIAL NUMBERS	5
QUICKFINDER (POPULAR PARTS)	7
ENGINES & COMPONENTS	9
CLUTCH & ENGINE MOUNTINGS	17
COOLING	19
HEATING & AIR CONDITIONING	23
FUEL	27
EXHAUST	31
GEARBOX	33
SUSPENSION - FRONT	39
SUSPENSION - REAR	43
SUSPENSION - PACKAGES - IMPROVEMENTS	47
ROAD WHEELS	49
BRAKES	53
STEERING	61
ELECTRICAL	63
BODYSHELL - BODY PANELS - FITTINGS - EXTERNAL FITTINGS - BUMPERS	83
INTERIOR TRIM - FITTINGS	101
HOOD & FRAME - TONNEAU - HARDTOP	123
VIN PLATES, LABELS & PAINT	131
ACCESSORIES	133
HARDWARE/FASTENERS	157
INDEX	160

NEW & RECONDITIONED PARTS

Almost every part we list is sold brand-new, but in many instances we also offer you the facility to buy "Reconditioned" (usually giving you your old component in part-exchange).

Where there is a reconditioned version of a part, you will find the letter 'R' or 'E' added at the end of the part number.

EXCHANGE SURCHARGES (REFUNDABLE)

Where parts are sold on an exchange basis, an "Exchange Surcharge" is applied - a deposit in effect, which is refunded to you when your old unit is received by us. This system allows you to make an exchange without having to send the old unit first ... it can often prevent your vehicle being off the road.

Before returning your old unit, please telephone our customer service dept on 01522 568000 in order to obtain a return authorisation number. See reverse of invoice for full details of return procedure. Units must be drained of any oil, water and be serviceable; we reserve the right to retain all or part of the surcharge if the unit is irreparable, damaged, incomplete or not identical to the type supplied.

Errors & Omissions Excepted. All parts offered subject to availability.

All part numbers, illustrations and photographs used in this catalogue are intended for reference/ identification purposes only, and are not necessarily an exact representation of the goods supplied. Whilst we make every effort to ensure the accuracy of product descriptions in this catalogue, they are based upon information supplied by the manufacturer/distributor at the time of publication. There may be occasions - due to circumstances beyond our control - when specifications are changed, or when goods become temporarily unavailable.

Certain part numbers have been superseded to an alternative number when a later version or updated specification is offered.

www.rimmerbros.co.uk

MG F & MG TF

1995 to 2005

10 Years of Evolution



Discussed for years, revealed in March 1995, and on sale from the summer of that year, the MG F sports car was one of the earliest models approved by BMW after it purchased the Rover Group in 1994. It was totally engineered by the Austin-Rover team, and was assembled at the vast Longbridge factory in Birmingham.

Before that, the manufacture of conventional MG sports cars - particularly the MGB and the Midget models - had been carried out at the Abingdon factory (south of Oxford) for many years. That operation then closed down in 1980, the factory being demolished shortly afterwards. For the next decade, the MG badge appeared only on warmed-up Austin-Rover products.

The return to building sports cars came in the early 1990s, when the limited-production MG RV8 (effectively a Rover V8-engined MGB Roadster with style and equipment updates) went on sale, but it was not until after BMW bought the Rover Group in 1994 that enough money was available to evolve a new smaller-engined sports car.

The new car, christened the MG F, was unveiled in March 1995, and went on sale later that year. Based around an all-new pressed-steel monocoque built by Mayflower (of Coventry - a body building specialist, which also partly financed the body tooling), it was a mid-engined/rear-drive two-seater which used many updated and modified components and features of existing Rover cars.

The neatly-packaged 1,795cc/16-valve K-Series engine/five-speed transmission, where the engine was transversely-mounted immediately behind the two-seater cabin, was based on those found in cars such as a Rover Metro, and the Rover 200, but was considerably more powerful: it was on the VVC derivative (VVC = Variable Valve Control) that the company's clever new way of producing high power and good economy and low emissions made its debut.

The all-independent suspension featured Hydragas suspension units, inter-connected front-to-rear, this Moulton-inspired system having been in use on many other Rover products built since 1973, with more than 10 million in service. The steering was by rack-and-pinion, this featuring (initially optional) electric, as opposed to hydraulic, power assistance. Four-wheel disc brakes with ABS as standard (optional on the 118bhp version), were fitted to every version of the MG F.

The new model was well-received, and immediately began to sell at the rate of almost 15,000 cars a year (Rover sometimes built well over 300 MG F's a week at Longbridge). Four years later, in 1999, the company then announced a series of innovations, not only by adding more powerful (the 'Trophy' version of the 1.8-litre engine had 160bhp) and less powerful (112bhp, 1,588cc) types, but by offering the option of a new CVT/Steptronic automatic transmission, which appealed to a significant sector of the sports car marketplace.

New model, and new owners

In 2000 BMW then decided to pull out of its investment in Rover, and sold off most of the car-manufacturing operation to the Phoenix Consortium, which soon re-named the business MG-Rover. The team of engineers which had already initiated revisions to the MG F then completed the job, the result being the launch of the MG TF, to replace the MG F, in January 2002.

Although the new car was clearly based on the original design, there were many significant styling and structural changes, and a new approach to the suspension layout. The body shell, itself already sturdy, had been made even stiffer than before in torsion, and was accompanied by cosmetic changes including a new front grille, redesigned headlamps/side air intake grilles and additionally, re-shaped bumpers. Few changes had been made to the fascia/interior. As a result, the new shell gained a 4-star rating in the prestigious Euro NCAP crash test series.

Under the skin, the original-type Hydragas layout had been discontinued, in favour of conventional coil springs and hydraulic dampers, these being allied to a much-modified layout of independent linkage at the rear.

Although engines and transmissions were basically unchanged - there being 1.6-litre, 1.8-litre, Trophy and 1.8-litre Steptronic types, as before - changes were made to improve their environmental performance.

In spite of the controversy which seemed to pursue MG-Rover throughout its life, the demand for MG TF sports cars continued to be strong - as before, up to 300 cars a week were assembled at Longbridge - but during the winter of 2004/2005, MG-Rover's commercial problems affected the TF, so that sales and production both fell away. The end came in April 2005 when MG-Rover abruptly went into financial administration, and all car assembly was stopped. More than 117,000 MG F's and MG TF's had been produced, and Rimmer Bros has now taken steps to support all these cars with its expert access to parts.

Under new ownership

After a two year hiatus, the intellectual rights to build MG TF's was acquired by the Nanjing Automobile Group of China, who arranged for very low-scale assembly to begin, once again, at Longbridge, though this project was very short lived, and less than 1,000 such mildly-face-lifted machines were ever produced.

Graham Robson

MGF and MG TF	Years	Basic Summaries
MGF 1800	1995 - 1999	Original style with 118bhp or 143bhp 1.8-litre engine, Hydragas suspension, and manual transmission.
MGF 'Mk II'	1999 - 2001	Revised interior, and other styling tweaks. In addition, 112bhp/1.6-litre version, and 160bhp/1.8-litre 'Trophy'. CVT automatic version offered (not on 143bhp/Trophy) versions.
MG TF	2002 - 2005	Re-engineered model, with coil spring suspension instead of Hydragas, plus style revisions. Engines rerated to 115bhp/1.6-litre, or 120bhp and 135bhp with 1.8-litres.
	April 2005	Production suspended following financial collapse of MG-Rover Group.
<i>Very limited assembly of revised LE500 and re-badged versions (under Chinese ownership) followed at Longbridge in 2008 -2011. Only 906 such cars were ever built.</i>		

MGF and MG TF Production Figures

	MGF	MG TF
1995	2,323	-
1996	16,112	-
1997	13,398	-
1998	14,832	-
1999	10,388	-
2000	9,672	-
2001	10,544	198
2002	-	14,011
2003	-	14,086
2004	-	10,954
2005	-	631
Totals :	77,269	39,880
Grand Total (1995 - 2005) :	117,149	

VEHICLE PRODUCTION SUMMARY 1995-2005 (Rover Group and MG Rover Production)

MGF 1995-1999 (known as 'Mk I')

Models available: MGF 1.8
MGF VVC
Number of cars built: 57053

MGF 1999-2001 (known as 'Mk II')

Models available: MGF 1.6
MGF 1.8
MGF 1.8 Steptronic
MGF VVC
MGF Trophy 160
Number of cars built: 20216

MG TF 2002-2005

Models available: TF115 (1.6)
TF120 (1.8)
TF135 (1.8 non-VVC)
TF160 (1.8 WC)
Number of cars built: 39880

In March 2007, production of a lightly revised MG TF was restarted in Nanjing, China, followed by resumed production at Longbridge seventeen months later. Production ceased again at Longbridge in March 2011 after a total of 906 cars had been built, consisting of TF LE500, TF135 and TF 85th Anniversary models.

VIN & MAJOR UNIT SERIAL NUMBERS

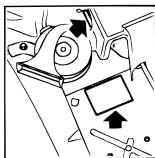
VEHICLE IDENTIFICATION

To ensure the parts that you order are correct for your MGF or TF, you will need to know most importantly the VIN (vehicle Identification Number) and additionally when ordering power unit parts you will also need to know the engine number and gearbox number.

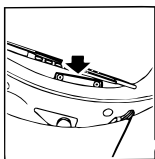
The following illustrations show where the various identification/serial numbers are located on the MGF and MG TF:

The Vehicle Identification Number (VIN) may be found in the following under-bonnet locations:

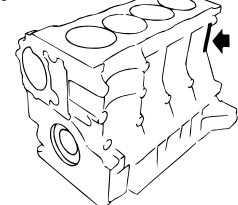
1. Stamped on the VIN plate attached to the RH side of the under-bonnet compartment.
2. Stamped into the body above the RH front suspension strut.



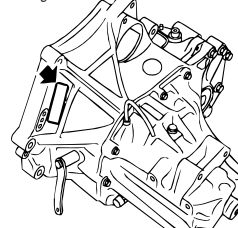
The VIN may also be found on the visible VIN plate, behind the LH lower corner of the windscreen.



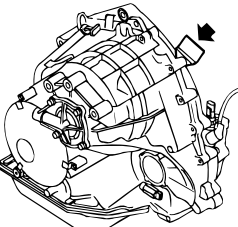
The engine number is stamped on the front face of the cylinder block, adjacent to the gearbox.



The manual gearbox number is stamped on a label attached to the front face of the clutch housing.



The automatic gearbox number is stamped on a label attached to the gearbox by one of the engine mounting bolts.



VIN (Vehicle Identification Number)

The last six characters of the VIN are the serial number of your car. However, the VIN also provides you with considerably more useful information, most importantly the model year of your car (most changes in production relate to model years). It is important to note that if no significant production changes are made at the end of a production year, the same model year identifier is used for the next production year (for example, 1995-97 MGFs are all 1995 model year cars).

The complete VIN can be broken down thus:

First character - S = Europe
Second character - A = United Kingdom
Third Character - R = Rover Group/MG Rover
Fourth Character - R = Rover/MG marques
Fifth Character - D = F/TF model
Sixth Character - M = TL3 (entry trim level)
W = TL5 (mid trim level)
L = TL7 (high trim level)
Z = TL7.1 (high trim level
VVC 160)

Seventh Character - B = 2 door convertible
E = 1.6 MPi
G = 1.8 MPi (120ps)
K = 1.8 MPi (135ps)
T = 1.8 VVC (145ps)
P = 1.8 VVC (160ps)

Eighth Character - B = RHD, manual, 3.9:1 final drive
M = LHD, manual, 3.9:1 final drive
C = RHD, manual, 4.2:1 final drive
N = LHD, manual, 4.2:1 final drive

Ninth Character - J = RHD, automatic
X = LHD, automatic

Tenth Character - A = 1995 model year (1995-97)
W = 1998 model year
X = 1999 model year
Y = 2000 model year
1 = 2001 model year
2 = 2002 model year
3 = 2003 model year
4 = 2004 model year
5 = 2005 model year

Eleventh Character - D = Longbridge

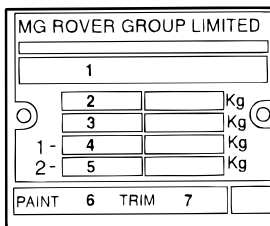
Twelfth to Seventeenth Characters - 999999 = serial number

Example:
A car showing SAR RD W B G B W D 040107 is - Europe/UK/Rover Group/MG/MGF/mid trim level/2 door convertible/1.8MPi/RHD manual 3.9:1 diff/1998MY/Longbridge/serial no. 040107

...and for the purposes of using the VIN to trace applicable parts for the car in this catalogue, the tenth character onwards is the most important part, i.e. W D 040107.

Under-Bonnet VIN Plate Additional Information

Aside from the VIN, the under-bonnet VIN plate also provides the following additional information:



1. Vehicle Identification Number (VIN)
2. Gross Vehicle Weight (GVW, in Kg)
3. Gross Train Weight (GTW, in Kg)
4. Maximum Front Axle Load (in Kg)
5. Maximum Rear Axle Load (in Kg)
6. Paint Code, 3 letters (See Paints section of catalogue for paint colour code identification. This code is also used as a part number suffix for pre-painted body items listed in this catalogue)
7. Trim Code, 3 letters (Irrelevant in this catalogue, since the codes do not correspond to the part number suffixes of the coloured trim components listed)

Engine Number

Similarly to the VIN, the engine number will tell you far more than just the serial number of your engine:

First prefix - 16 = 1600cc
18 = 1800cc

Second prefix - K = K Series engine family

Third Prefix - 4 = 4 valves per cylinder (16V)

Fourth Prefix - F = MPi with catalyst
K = VVC with catalyst

Fifth Prefix - J31 = 1800 MPi (120ps)

J32 = 1800 MPi (120ps) air cond.

J89 = 1800 VVC (145ps)

J90 = 1800 VVC (145ps) air cond.

L70 = 1800 MPi auto

L71 = 1800 MPi auto air cond.

M13 = 1800 MPi auto air cond.

M14 = 1800 MPi auto

P23 = 1600 MPi manual

P24 = 1600 MPi manual air cond.

P25 = 1800 VVC (160ps)

P26 = 1800 VVC (160ps) air cond.

P27 = 1800 MPi (135ps)

P28 = 1800 MPi (135ps) air cond.

P29 = 1800 MPi auto

P30 = 1800 MPi auto air cond.

R30 = 1800 VVC (160ps) low comp.

Last Six Digits - Serial number

Example:
An engine showing 18 K 4 F J32 100101 is - 1800cc/K Series/4 valve per cylinder/MPi with catalyst/1800 MPi 120ps air conditioning/serial no. 100101

...and for the purposes of this catalogue, the important part is J32 100101.

Manual Gearbox Number

The prefixes of the gearbox number will tell you what version of the Rover PG1 gearbox you have:

First Prefix - G = wide ratio
C = wide ratio (Type 6)
Second Prefix - 4 = 4.2:1 final drive
6 = 3.9:1 final drive
Third Prefix - B = MGF speedo ratio
Fourth Prefix - P = MGF type clutch lever
Fifth Prefix - U = uprated strength gearbox
Remaining Digits - Serial number

Example:

A manual gearbox showing C/4/BPU 03759 is - Wide ratio/4.2:1 final drive/MGF speedo ratio/MGF type clutch lever/uprated strength/serial no. 03759.

...and for the purposes of this catalogue, the entire manual gearbox number, with all prefixes, is required when ordering gearbox parts.

Automatic Gearbox Number

No information on the gearbox numbers for the automatic/Steptronic transmission used in MGF and MG TF has ever been published. Fortunately, if you are ordering parts for your automatic gearbox, the relatively few change points that occurred during production are all referred to by Vehicle Identification Numbers (VIN).

YOUR VEHICLE DETAILS

Enter your vehicle details here for easy reference

Vehicle Identification Number (VIN):

Paint Code:

Trim Code:

Engine Number:

Gearbox Number:

IMPORTANT NOTE

Wherever identification/serial numbers are quoted in this catalogue to help you distinguish change points between the fitment of different components, they relate to the Original Factory Specification or Component when the vehicle was new, and not to subsequent miscellaneous replacements.



DESCRIPTION QTY REQ. PART No.

POPULAR PARTS

This section will help you find the parts which are most frequently called for; filters, gaskets, seals, bushes, etc. If you are unsure, you will find each part listed again under its appropriate section.

Engine Service Kits

ENGINE SERVICE KIT:

Includes air filter, oil filter, fuel filter and 4 spark plugs.

MGF to VIN YD522572 (to 2000)

Not plug top ignition.

genuine parts	1	RP1013
aftermarket parts	1	RP1013P

MGF VIN YD522573 on (2000 on), MG TF

With plug top ignition.

MG Rover, genuine	1	ZUA0000TF
genuine parts	1	RP1014
aftermarket parts	1	RP1014P

Oil & Fluids

ENGINE OIL, XPower fully synthetic 5w40:

1 litre	A/R	XFG1L
5 litres	A/R	XFG5L

ANTIFREEZE:

XPart Long Life O.A.T.

1 litre	A/R	XP1LL
5 litres	A/R	XP5LL
20 litres	A/R	XP20LL

BRAKE FLUID:

Dot 4, MG Rover

250ml	A/R	S3SHE02
500ml	A/R	S3SHE05
1 litre	A/R	S3SHE1

silicone fluid

Replaces conventional clutch/brake fluid.

Doesn't absorb water - doesn't degrade.

Will not harm paintwork if spilt.

500ml	A/R	RX1327
1 litre	A/R	RX1326

BRAKE CLEANER, aerosol

	A/R	GBF901
--	-----	---------------

RUBBER GREASE, 2oz

	A/R	514578P
--	-----	----------------

COPPER EASE GREASE, 85gm

	A/R	RX1345
--	-----	---------------

Filters

OIL FILTER:

genuine	1	LPW100181
aftermarket	1	LPW100181P

SUMP PLUG WASHER:

genuine	1	ALU1403L
aftermarket	1	ALU1403LP

AIR FILTER ELEMENT:

MGF to VIN YD522572 (to 2000)

standard		
genuine	1	PHE100421
aftermarket	1	PHE100421P
K&N		1PHE100421K-N

Replaces standard air filter element.

MGF VIN YD522573 on (2000 on), MG TF

standard		
genuine	1	PHE100540

K&N INDUCTION KIT:

Replaces standard air cleaner assembly.

MGF (not Trophy)	1	RP1026
MGF Trophy, MG TF	1	RP1027

FUEL FILTER:

genuine	1	WJN101192
aftermarket	1	WJN101192P

DESCRIPTION QTY REQ. PART No.

Ignition Components

DISTRIBUTOR CAP (MGF to VIN YD522572 (not VVC):

genuine	1	NJD10010
aftermarket	1	NJD10010P

ROTOR ARM (MGF to VIN YD522572 (not VVC):

genuine	1	NJE100071
aftermarket	1	NJE100071P

SPARK PLUG (Non-VVC and VVC engines):

genuine	4	NLP100290
aftermarket	4	NLP100290P

PLUG LEAD SET:

non-VVC engines

MGF to VIN YD522572		
standard, set of 5		
genuine	1	NGC000090
aftermarket	1	NGC000090P
uprated, Lumenition silicone		
complete set of 5	1	RP1037K
set of 4 plug leads only	1	RP1037
coil lead only	1	RP1038

MGF VIN YD522573 on, MG TF, set of 2

genuine	1	NGC000040
aftermarket	1	NGC000040P

VVC engines

MGF to VIN YD522572		
standard, set of 4		
genuine	1	NGC000070
aftermarket	1	NGC000070P
MGF VIN YD522573 on, MG TF	1	NGC000030

IGNITION COIL:

non-VVC engines

MGF to VIN YD522572		
genuine	1	NEC100631
MGF VIN YD522573 on, MG TF		
genuine	2	NEC000120

VVC engines

MGF to VIN YD522572	1	NEC100691
MGF VIN YD522573 on, MG TF	2	NEC000130

Drivebelts

DRIVEBELT, polyvee, water pump & ancillaries:

without air conditioning

genuine	1	PQS100840
aftermarket	1	PQS100840P

with air conditioning

genuine	1	PQS101180
aftermarket	1	PQS101180P

Engine & Exhaust Gaskets

CYLINDER HEAD GASKET SET:

all models except VVC

standard		
genuine	1	LVQ000091SLP
aftermarket	1	LVQ000091SLPP
MLS type (multi-layer steel)	1	LVQ000091PMLS

VVC

standard		
genuine	1	LVQ000102SLP
aftermarket	1	LVQ000102SLPP
MLS type (multi-layer steel)	1	LVQ000102PMLS

ENGINE GASKET SET (exc. head gaskets):

genuine	1	LVQ000070
aftermarket	1	LVQ000070P

EXHAUST DOWNPIPE GASKET:

MGF to VIN YD522572

4 stud type.		
genuine	1	WCM100009
aftermarket	1	WCM100009P
MGF VIN YD522573 on, MG TF	1	WCM100600

6 stud type.

EXHAUST CATALYST GASKET

	2	WCM100480
--	---	------------------

LIQUID GASKET:

sump	1	LVV000010
bearing ladder	1	LVV000108EVA

DESCRIPTION QTY REQ. PART No.

Oil Seals

CRANKSHAFT OIL SEAL:

front		
genuine	1	LQX100040SLP
aftermarket	1	LQX100040SLPP
rear		
genuine	1	LUF000050SLP
aftermarket	1	LUF000050SLP

CAMSHAFT OIL SEAL:

front (black)		
genuine	2	LUC100290
aftermarket	2	LUC100290P
rear (red)	2	LUC100220

INLET CAM TIMING HOUSING SEAL (VVC engines):

genuine	2	LJQ100950SLP
aftermarket	2	LJQ100950SLPP

OIL FILLER CAP SEAL:

genuine	1	LUD100040
aftermarket	1	LUD100040P

MANUAL GEARBOX SEAL:

clutch shaft	1	CDU70L
selector shaft	1	CDU71
input shaft	1	UNG100100
differential		

to g/box C4BP3759, G4BP/C6BP9712

RH	1	TRX100100SLP
LH	1	TRX100110SLP

g/box C4BP3760, G4BP/C6BP9713 on

RH		
genuine	1	UNG100060
aftermarket	1	UNG100060LP

LH		
genuine	1	TRX100060SLP
aftermarket	1	TRX100060LP

AUTOMATIC GEARBOX SEAL:

selector shaft	1	TZB10006
input shaft	1	TZB10003
differential	2	TLF10002

Timing Belts

TIMING BELT KIT:

non-VVC

Each kit includes timing belt and tensioner assembly.

23mm wide	1	RP1071
1.8 with auto tensioning.		

26mm wide	1	RP1078
1.6, 1.8 with auto tensioning.		

VVC	1	RP1079
-----	---	---------------

Kit includes front and rear timing belts, tensioner assembly, tensioner spring and pedestal bolt.

TIMING BELT:

non-VVC

23mm wide (1.8 without auto tensioning)		
genuine	1	CDU2749

26mm wide (1.6, 1.8 with auto tensioning)		
genuine	1	LHN100560
aftermarket	1	LHN100560P

VVC

front (incl. spring and pedestal bolt)		
genuine	1	LHN100390
aftermarket	1	LHN100390P

rear		
genuine	1	LHN100400
aftermarket	1	LHN100400P

LOCKING TOOL, camshaft	1	18G1570
------------------------	---	----------------

This tool is essential for locking the camshaft gears together (and thus the camshafts), with their timing marks aligned, when carrying out timing belt replacement - see workshop manual for details.

TIMING BELT KIT - VVC ENGINES - RP1079



Cooling System

WATER PUMP (all models):		
genuine	1	PEB102511
aftermarket	1	PEB102511P
THERMOSTAT, 88°C		
	1	PEL10016
<i>Up to early 2003 approx. For pressure relief thermostats fitted from early 2003 approx, please refer to Cooling section.</i>		
O RING, thermostat housing (all models):		
centre	1	PEF10010
inlet/outlet	2	CDU3858
PIPE ASS'Y, underfloor, cooling system: <i>Engine to radiator.</i>		
manual		
mild steel (standard)	1	PEP102470
stainless (durable alternative)	1	PEP102470SS
automatic		
mild steel (standard)	1	PEP103280
stainless (durable alternative)	1	PEP103280SS
HOSE, radiator:		
top	1	PCH112320
bottom	1	PCH112330
HOSE, engine to underfloor coolant pipes:		
manual		
engine to RH pipe	1	PEH100820
engine to LH pipe	1	PEH000090
<i>Includes adaptor and clip.</i>		
automatic		
engine to RH pipe		
up to VIN YD520171	1	PEH101420
from VIN YD520172 on	1	PEH000420
engine to LH pipe	1	PEH101730
PRESSURE CAP, expansion tank	1	PCD100160

Clutch

CLUTCH KIT (includes clutch cover, plate and release bearing):		
1.6 (200mm dia. clutch)		
genuine	1	URF000160
OEM	1	URF000160P1
1.8 (215mm dia. clutch)		
genuine	1	URF000122
OEM	1	URF000122P1
CLUTCH COVER:		
1.6 - genuine	1	URB000170
1.6 - OEM	1	URB000170P1
1.8 - genuine	1	URB10009
CLUTCH PLATE:		
1.6 - genuine	1	UQB000091
1.8 - genuine	1	UQB000221
RELEASE BEARING (all models):		
genuine	1	UTJ100170
aftermarket	1	UTJ100170P

Engine & Subframe Mountings

ENGINE MOUNTING:		
RH, manual	1	KKB000421
RH, automatic	1	KKB101441
LH (manual & automatic)	1	KKB101821
BUSH, RH engine mounting arm	1	KKF000040
TIE ROD ASSEMBLY:		
manual	1	KKH100782
automatic	1	KKH102570
HOUSING & BUSH, engine tie rod		
	1	KKG100371
MOUNTING, front or rear subframe:		
<i>Important note: early front mountings (cars up to VINWD26658, 1997) have now been superseded by the later mountings (FAM9525). When replacing early front mountings with later items, the front subframe rear mountings must also be replaced with the later type - i.e. when fitting FAM9525 to pre-'97 vehicles, fit a pair along with a pair of KGE100150 rear mountings.</i>		
front of subframe		
MGF except Trophy	2	FAM9525
MGF Trophy, MG TF	2	KGE000110
rear of subframe		
MGF except Trophy		
up to VIN WD26658	2	KGE10001
VIN WD26659 on	2	KGE100150
MGF Trophy, MG TF	2	KGE000071

Suspension Bushes

For polyurethane bush kits, please refer to the Suspension Packages section.

LOWER ARM TO FRONT SUBFRAME BUSH:

<i>MGF (not Trophy), MG TF.</i>		
front		
genuine	2	RBX10025
aftermarket	2	RBX10025P
polyurethane (pair)	1	RBX10025POLY
rear		
genuine	2	RBX000771
aftermarket	2	RBX000771P
polyurethane (pair)	1	RBX000771POLY
FRONT ANTI ROLL BAR MOUNTING BUSH (MGF, MG TF):		
genuine	2	RGX000920
aftermarket	2	RGX000920P
polyurethane (pair)	1	RGX000920POLY
LOWER ARM TO REAR SUBFRAME BUSH (MGF):		
genuine	2	RBX10025
aftermarket	2	RBX10025P
polyurethane (pair)	1	RBX10025POLY
LOWER ARM TO REAR HUB BUSH (MGF):		
genuine	2	RGX100470
aftermarket	2	RGX100470P
polyurethane (pair)	1	RGX100470POLY
REAR TIE BAR BUSH (MGF):		
standard	4	RGX100480
polyurethane (car set)	1	RGX100480POLY
REAR COMPLIANCE BUSH & BRACKET ASSEMBLY (MG TF):		
RH	1	RGU000240
LH	1	RGU000250
REAR ANTI ROLL BAR MOUNTING BUSH (MGF, MG TF):		
standard	2	RGX10006
polyurethane (pair)	1	RGX10006POLY
REAR ANTI ROLL BAR LINK BUSH (MGF):		
standard	4	21A1230
polyurethane (car set)	1	21A1230POLY

Ball Joints, Hub Bearings & Gaiters

FRONT SUSPENSION LOWER ARM BALL JOINT:

Not MGF Trophy. Included in lower arm assembly. Originally rivetted to lower arm; when replacing ball joint, rivets must be drilled out and replaced with bolts and nuts listed below.

RH		
genuine	1	RBK100401
aftermarket	1	RBK100401P
LH		
genuine	1	RBK100411
aftermarket	1	RBK100411P
BOLT, ball joint to front lower arm	6	FT108301ML
NUT, nyloc	6	NY108051L

FRONT SUSPENSION UPPER BALL JOINT KIT:

MGF		
genuine	2	RBG000020SLP
aftermarket	2	RBG000020SLPP
MG TF	2	RBK000101

REAR SUSPENSION UPPER BALL JOINT KIT:

MGF		
genuine	2	RBG000020SLP
aftermarket	2	RBG000020SLPP
MG TF	2	RBK000091

TRACK ROD END ASSEMBLY:

genuine	2	QJB100141
aftermarket	2	QJB100141P

WHEEL BEARING KIT:

Front and rear. Includes bearing, inner & outer circlips and hub nut.

genuine	4	RFM000050SLP
aftermarket	4	RFM000050SLPP
DRIVESHAFT INNER GAITER KIT	2	ZUA001150

CONSTANT VELOCITY JOINT GAITER:

genuine	2	ZUA000910
aftermarket	2	ZUA000910P

STEERING RACK GAITER KIT (pair):

genuine	1	QBZ10001
aftermarket	1	QBZ10001P



UPGRADED FRONT BRAKE KIT - RP1019UR

Brakes

FRONT BRAKE KIT:

Includes pair of discs and brake pad set.

240mm diameter front brakes		
<i>All models except MGF Trophy, MG TF 160 and MG TF with Sportpack 2 option.</i>		
standard	1	RP1019
uprated	1	RP1019UR
304mm diameter front brakes		
<i>MGF Trophy, MG TF 160 and MG TF with Sportpack 2 option.</i>		
standard	1	RP1018
uprated	1	RP1018UR

REAR BRAKE KIT:

Includes pair of discs and brake pad set.

standard	1	RP1486
uprated	1	RP1486UR
<i>Note that the uprated rear brake kit is not compatible with 15" wheels, except for the MGF VVC wheels.</i>		

BRAKE PAD SET, front:

Includes pads, shims and caliper guide pin bolts/pad retaining pins.

240mm diameter front brakes (see above for applications)		
genuine	1	SFK10004EVA
premium quality	1	SFK10004EVABR
<i>Brembo manufacture.</i>		
aftermarket	1	SFK10004EVAP
uprated, EBC Greenstuff	1	SFK10004EVAGS
304mm diameter front brakes (see above for applications)		
genuine	1	SFP000311
premium quality	1	SFP000311BR
<i>Brembo manufacture.</i>		
aftermarket	1	SFP000311P
uprated, EBC Greenstuff	1	SFP000311GS

BRAKE PAD SET, rear:

Includes pads and caliper guide pin bolts.

genuine	1	SFP000360
premium quality	1	SFP000360BR
<i>Brembo manufacture.</i>		
aftermarket	1	SFP000360P
uprated, EBC Greenstuff	1	SFP000360GS

Cables

ACCELERATOR CABLE:

RHD	1	SBB000280
LHD	1	SBB000290
KICKDOWN CABLE (automatic only)	1	UCV100540

HAND BRAKE CABLE:

RH		
genuine	1	SPB000600
aftermarket	1	SPB000600P
LH		
genuine	1	SPB000610
aftermarket	1	SPB000610P

SPEEDOMETER CABLE:

MGF to VIN AD000509 (early '95)		
upper		
RHD	1	YBD101580
LHD	1	YBD101590
lower	1	YBD101250
MGF VIN AD000510 to XD511058 (late '95 to '99)		
upper	1	YBD101640
intermediate	1	YBD101660
lower	1	YBD101250

Wiper Blades

DRIVER'S SIDE WIPER BLADE:

RHD	1	DKC000190
LHD	1	DKC100670

PASSENGER'S SIDE WIPER BLADE:

RHD & LHD	1	DKC100661
-----------	---	------------------



No. DESCRIPTION QTY REQ. PART No.

Factory Engines

- 1 STRIPPED ENGINE ASSEMBLY:
1.6 LBB111761SR
Reconditioned exchange. Includes cylinder block assembly, cylinder head, cam cover, timing cover and sump. Less ancillaries.
1.8 except VVC
with 23mm wide timing belt 42370310
with 26mm wide timing belt LBB111741N
with 26mm wide timing belt 42480310
1.8 VVC
145PS (reconditioned exchange) 08180310
160PS (reconditioned exchange) 42380310

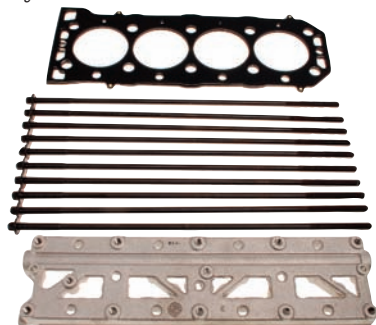
Gasket Sets & Gaskets

See also item 9 in Cylinder Block Components below for strengthened oil rail sets, which include the multi-layer steel head gasket. These sets are strongly recommended for solving head gasket failure problems on the K Series engine.

- CYLINDER HEAD GASKET SET:
all models except VVC
with std. cylinder head gasket 1 LVQ000091SLP
with multi layer head gasket 1LVQ000091PMLS
VVC
with std. cylinder head gasket 1 LVQ000102SLP
with multi layer head gasket 1LVQ000102PMLS
- ENGINE GASKET SET, all models 1 LVQ000070
- CYLINDER HEAD GASKET ONLY:
standard 1 LVB000321
MLS (Multi-Layer Steel) 1 LVB500190A
- CAMSHAFT COVER GASKET 1 LVP100631
- INLET MANIFOLD GASKET:
all models except VVC 1 LKJ101110
VVC
upper to lower 1 LKJ100860
upper to cylinder head 1 LKJ100821
- EXHAUST MANIFOLD GASKET 1 LKG100300
- LIQUID GASKET, BEARING LADDER 1 LUV000108EVA

Cylinder Block Components

- 2 CYLINDER BLOCK/LADDER ASS'Y 1 LCF000221
3 BOLT, ladder to block (M8 x 65) 1 FC108135
4 SCREW, ladder to block (M8 x 25) 9 FT108255L
5 DOWEL, ladder to block 2 WAM1465L
6 DOWEL, block to cylinder head 4 LYU000010
7 DOWEL, ladder, rear 2 WAM1460
8 RAIL, engine clamping and oil feed:
standard 1 LCN100210
strengthened 1 LCN000140L
9 STRENGTHENED OIL RAIL SET:
EU4 type 1 ZUA000080
SAIC type 1 ZUA000530



STRENGTHENED OIL RAIL SET - SAIC TYPE - ZUA000530

No. DESCRIPTION QTY REQ. PART No.

OIL PUMP ASSEMBLY - LPF000030



- 10 LIQUID GASKET 1 LVV000010
11 STUD, oil rail 2 LYR10006
12 NUT, oil rail 2 FN106047
13 CORE PLUG, oil rail 2 BDU1487L
14 CRANKSHAFT:
1.6 1 LEF101770
1.8 1 LEF101790
15 DOWEL (incl. in crankshaft) 1 LEJ000020
16 OIL SEAL, crankshaft rear 1 LUF000050SLP
17 SEALANT, Loctite (for rear oil seal) 1 STC4171A
18 OIL SEAL, crankshaft front 1 LQX100040SLP
19 MAIN BEARINGS (HALF): plain half
blue 7 WAM4026BLU
red 7 WAM4026RED
green 7 WAM4026GRE
20 MAIN BEARINGS (HALF): grooved half
blue 7 WAM4027BLU
red 7 WAM4027200
green 7 WAM4027GRE
21 THRUST WASHER, crankshaft 2 WAM2492
22 BIG END BEARINGS (HALF):
1.6
blue 8 LFB10001BLU
red 8 LFB10001RED
yellow 8 LFB10001YEL
1.8
blue 8 LFB000150BLU
red 8 LFB000150RED
yellow 8 LFB000150YEL
23A PISTON AND CON ROD ASSEMBLY:
1.6 4 LFL000780
1.8 except VVC 4 LFL000790
1.8 VVC 4 LFL000800
23B PISTON ONLY, includes rings, each
1.6 & 1.8 except VVC 4 LFL000790PISTON
1.8 VVC 4 LFL000800PISTON
24 BOLT, con rod 8 WAM1959
25 PISTON RING SET:
1.6, 1.8 except VVC (per piston) 4 LFP101320L
26 PISTON RING SET:
1.8 VVC (engine set) 1 LFP000110
27A LINER, cylinder block, OEM 4 LCJ000050LP1
- SHIM SET (0.004") LINER, set of 4 1 LCJ000050SHIM
27B LINER & PISTON KIT (1.8) 4 LCJ000050LKITBP
- CYLINDER LINER CLAMP TOOL 1 18G1736

Flywheel - Manual

- 28 FLYWHEEL ASSEMBLY:
1.6 (200mm dia. clutch) 1 PSD000210
1.8 (215mm dia. clutch) 1 PSD101690
29 RING GEAR (incl. in flywheel assy) 1 PSF10008L
30 DOWEL, clutch (incl. in flywheel assy) 3 PSJ10001
31 BOLT, flywheel to crankshaft 6 PSK10005

Flywheel - Automatic

- 32 FLYWHEEL ASSEMBLY 1 PSD102230
33 RING GEAR (incl. in flywheel assy) 1 PSF10003
34 BOLT, flywheel to crankshaft 6 PSK10005
35 DRIVE PLATE 1 UQB000060
36 SCREW, drive plate to flywheel 6 FS108161

Sump

- 37 SUMP (all models) 1 LSB000390
38 LIQUID GASKET, sump 1 LVV000010
39 SCREW, sump to bearing ladder 12 FT108255L
40 BOLT, sump to ladder front 2 FC108125
41 SUMP PLUG:
standard 1 LSF100040L
Stahlbus oil drain valve 1 LSF100040LODV
42 WASHER, sump plug 1 ALU1403L
43 OIL STRAINER AND PICK-UP PIPE 1 LSP10027
44 'O' RING (incl. in oil strainer) 1 CDU2206L
45 SCREW, pick up pipe securing 2 FS106207

No. DESCRIPTION QTY REQ. PART No.

Oil Pump & Oil Filter

- 46 OIL PUMP ASS'Y (incl. crank oil seal) 1 LPF000030
47 OIL SEAL, crankshaft, front 1 LQX100040SLP
48 OIL PUMP REPAIR KIT 1 LQX100050
49 GASKET, oil pump to block 1 LVG100330
50 BOLT, oil pump to block 8 PYG10007L
51 SCREW, oil pump to block 1 LYP10003
52 OIL FILTER 1 LPW100181

ENGINE SERVICE KIT - UP TO VIN YD522572 - RP1013



- 53 ENGINE SERVICE KIT:
Includes air filter, oil filter, drain plug washer, fuel filter and four spark plugs.
Available with either original or aftermarket (P) parts.
Two kits cover all models.
up to VIN YD522572 1 RP1013
Not plug top coil type ignition.
from VIN YD522573 on 1 RP1014
With plug top coil type ignition.

- 54 MOUNTING ASSEMBLY, oil filter:
1.6 & 1.8 non-VVC 1 LPX100540
1.8VVC to VIN XD511059 1 LPX100540
1.8 VVC from VIN XD511059 1 LPX000161
The earliest 1.8 and 1.8VVC engines were fitted with a different filter mounting which is now officially superseded by the LPX100540, listed here. Unfortunately the oil switch and sensor used on the early mounting will not fit LPX100540. Thus if replacing the filter mounting on engines up to nos. J31 646501, J32 646201, J89 636256 or J90618894, you will also require an NUC100280 oil switch, MDY100080 switch washer and a YCB100350 oil temp sensor.

- 55 PLUG, filter mounting 1 LYB100510L
56 ADAPTOR, oil filter 1 CAM5331
57 GASKET, filter mounting to block 1 LVH10010
58 SCREW, filter mounting to block 4 FS106207
59 OIL FILLER ASSEMBLY (incl. filler cap) 1 LQB100070
60 OIL FILLER CAP (yellow) 1 LQC100270
61 SEAL, oil filler cap 1 LUD100040
62 BRACKET, oil filler assembly 1 LQU100340
63 SCREW, bracket to filler 2 FS106125M
64 SCREW, bracket to manifold:
1.6 & 1.8 non-VVC 1 FS108255M
1.8 VVC 1 FS108165M
65 SPACER, bracket to manifold 1 LQZ100050
66 DIPSTICK 1 LQM100640
67 TUBE, dipstick 1 LQB100150
68 GASKET, tube to crankcase 1 LVJ100140
69 SCREW, tube flange to engine 2 FS106125M
70 SCREW, tube bracket to engine 1 LYP000320

Engine Oil Cooler - 1.8

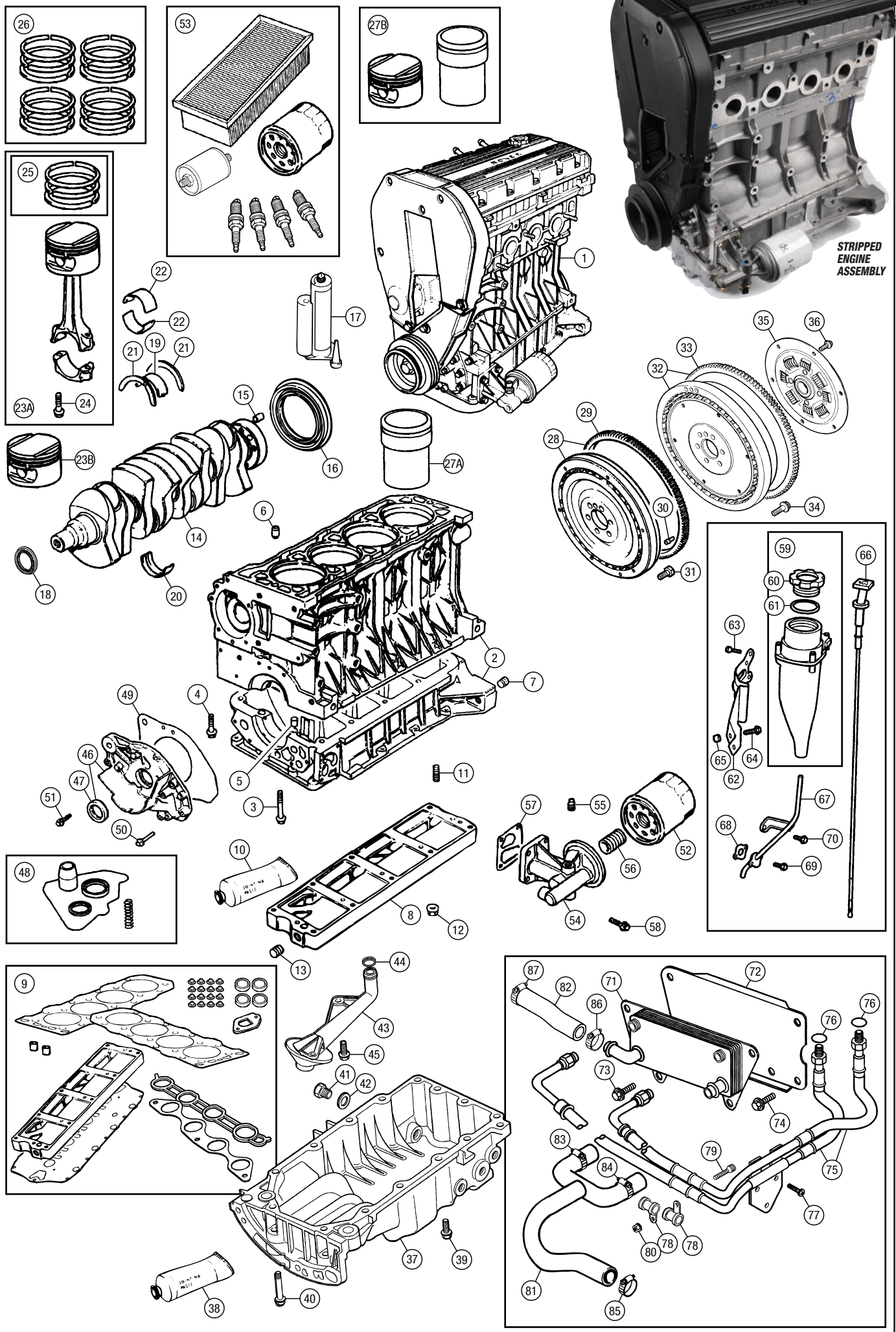
- 71 OIL COOLER ASSEMBLY 1 PBC000140
From VIN XD511059 ('99).
See also oil cooler kit on page 15.
72 BRACKET, oil cooler 1 PBU000030
73 SCREW, cooler to bracket 4 FS108165M
74 SCREW, bracket attaching 3 FS110161
75 PIPE ASSEMBLY, oil cooler to filter 1 PBH000100
76 'O' RING, oil cooler pipes 2 PYX000100
77 SCREW, pipes to sump 2 PYP000200
78 CLIP, pipes 2 PYC000250
79 STUD, shoulder, clips attaching 1 PYR000020
80 NUT, pipe clips to stud 1 FN106047
81 ENGINE COOLANT HOSE, expansion tank to oil cooler 1 PCH001710
82 ENGINE COOLANT HOSE, engine rail to oil cooler 1 PEH000410
83 CLIP, engine coolant hose, exp. tank hose to cooler 1 PYC101390
84 CLIP, engine coolant hose, exp. tank hose to thermostat 1 PYC102250
85 CLIP, engine coolant hose, hose to expansion tank 1 PYC000410
86 CLIP, engine coolant hose, engine rail hose to cooler 1 PYC000410
87 CLIP, engine coolant hose, hose to engine rail 1 PYC101400A



ENGINES & ENGINE COMPONENTS



STRIPPED ENGINE ASSEMBLY



ORDER BY PHONE: 01522 568000 / ON LINE: www.rimmerbros.co.uk / E-MAIL: mgrover@rimmerbros.co.uk



TIMING BELTS & PULLEYS

No.	DESCRIPTION	QTY REQ.	PART No.	No.	DESCRIPTION	QTY REQ.	PART No.	No.	DESCRIPTION	QTY REQ.	PART No.
-----	-------------	----------	----------	-----	-------------	----------	----------	-----	-------------	----------	----------

Timing Belt & Pulleys

NON-VVC ENGINES



TIMING BELT KIT - NON-VVC, NON-AUTO TENSIONING - RP1071



CAMSHAFT LOCKING TOOL - 18G1570

- 1 TIMING BELT KIT:**
Each kit includes timing belt and tensioner assembly.
- 23mm wide 1 **RP1071**
1.8 without auto tensioning.
- 26mm wide 1 **RP1078**
1.6, 1.8 with auto tensioning.
- 2 TIMING BELT:**
- 23mm wide 1 **CDU2749**
1.8 without auto tensioning.
- 26mm wide 1 **LHN100560**
1.6, 1.8 with auto tensioning.
- 3 TENSIONER, timing belt,**
1.8 without auto tensioning 1 **LHP10015**
- 4 TENSIONER, timing belt,**
1.6, 1.8 with auto tensioning 1 **LHP100900**
- 5 BOLT, 1.8 without auto tensioning** 1 **SS110251**
- 6 BOLT, 1.6, 1.8 with auto tensioning** 1 **LYG101460**

- 7 SCREW, tensioner backplate,**
1.8 without auto tensioning 1 **FS106141L**
- 8 SCREW, tensioner backplate,**
1.6, 1.8 with auto tensioning 1 **LHT100060**
- 9 SPRING & SLEEVE ASS'Y, tensioner** 1 **LHR10005**
1.8 without auto tensioning.
- 10 PEDESTAL BOLT, tensioner** 1 **WAM3885**
1.8 without auto tensioning.

CAMSHAFT GEAR - NON-VVC - LHB101360

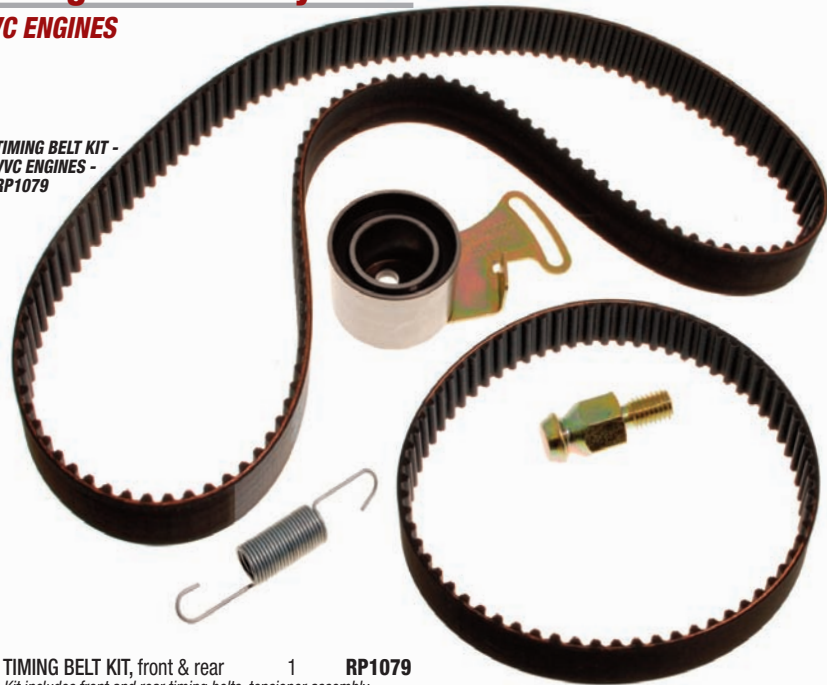


- 11 GEAR, timing belt, camshaft** 2 **LHB101360**
- 12 GEAR, timing belt, crankshaft** 1 **LHH100480**
Note that if fitting a new crankshaft gear to early 1.8 engines (up to engine nos. J31 274137 and J32 278811), the crankshaft pulley must also be replaced with the later design pulley listed in item 16.

- 13 LOCKING TOOL, camshaft** 1 **18G1570**
This tool is essential for locking the camshaft gears together (and thus the camshafts), with their timing marks aligned, when carrying out timing belt replacement - see workshop manual for details.
- 14 BOLT, camshaft gear** 2 **SX110350**
- 15 WASHER, camshaft gear** 2 **LYF000020**
- 16 CRANKSHAFT PULLEY (ancillary belt)** 1 **LHG000010**
- 17 BOLT, crankshaft pulley** 1 **WAM4243**
- 18 WASHER, crankshaft bolt** 1 **LYF10051**
- 19 TIMING COVER, inner** 1 **LJR104320**
- 20 SCREW, inner timing cover, short** 3 **LYP10005L**
- 21 SCREW, inner timing cover, long** 1 **LYP10008L**
- 22 TIMING COVER, outer, upper** 1 **LJR104000**
- 23 TIMING COVER, outer, lower** 1 **LJR104350**
- 24 BOLT, upper cover securing, long** 1 **FB106115**
- 25 BOLT, upper cover securing, short** 1 **DBP1420L**
- 26 SCREW, upper cover securing** 3 **FS106205**
- 27 SCREW, lower cover securing** 2 **LYG10015**
- 28 SEAL, outer timing cover, upper cover, inner** 1 **LJQ10008LP**
- 29 SEAL, outer timing cover, upper cover, outer** 1 **LJQ10003LP**
- 30 SEAL, outer timing cover, lower cover, inner** 1 **LJQ10001LP**
- 31 SEAL, outer timing cover, lower cover, outer** 1 **LJQ10007LP**

Timing Belt & Pulleys

VVC ENGINES



TIMING BELT KIT - VVC ENGINES - RP1079

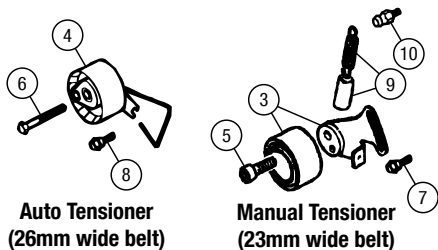
- 32 TIMING BELT KIT, front & rear** 1 **RP1079**
Kit includes front and rear timing belts, tensioner assembly, tensioner spring and pedestal bolt.
- 33 TIMING BELT KIT, front** 1 **LHN100390K**
Incl. spring and pedestal bolt.
- 33 TIMING BELT ONLY, front** 1 **ZUA000410**
- 34 TIMING BELT, rear** 1 **LHN100400**
- 35 TENSIONER, front timing belt** 1 **LHP10015**
- 36 BOLT, tensioner pulley** 1 **SS110251**
- 37 SCREW, tensioner backplate** 1 **FS106141L**
- 38 SPRING, tensioner (see note below)** 1 **ZUA000420**
- 39 PEDESTAL BOLT, tensioner (see note)** 1 **WAM3885**
The spring and pedestal bolt must only be fitted to the VVC engine during belt tension adjustment. Both are supplied with replacement front timing belts.

- 40 GEAR, timing belt, camshaft, front, inlet** 1 **LHB101190**
- 41 GEAR, timing belt, camshaft, front, exhaust** 1 **LHB101330**
- 42 GEAR, timing belt, camshaft, rear** 2 **LHB101230**
- 43 GEAR, timing belt, crankshaft** 1 **LHH100480**
- 44 LOCKING TOOL, camshaft** 1 **18G1570P**
This tool is essential for locking the camshaft gears together (and thus the camshafts), with their timing marks aligned, when carrying out timing belt replacement - see workshop manual for details.

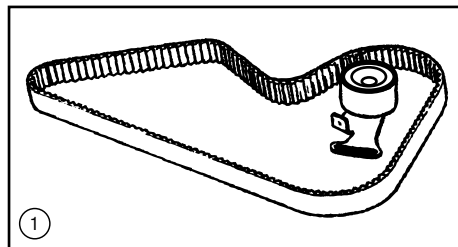
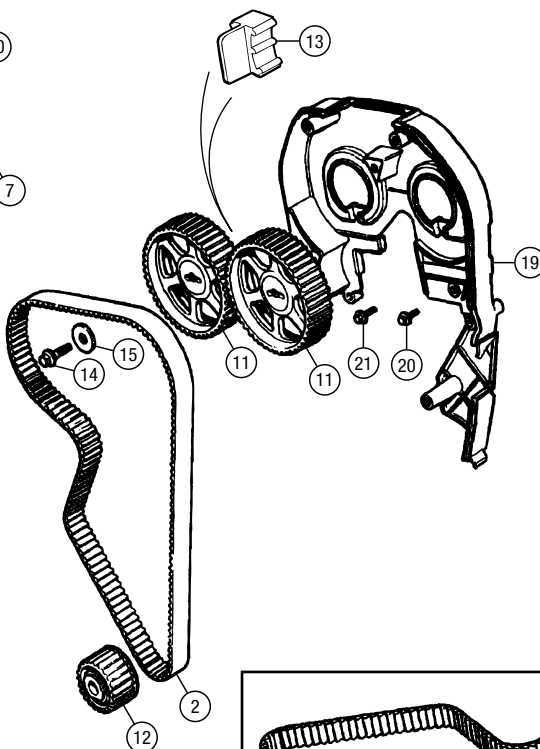
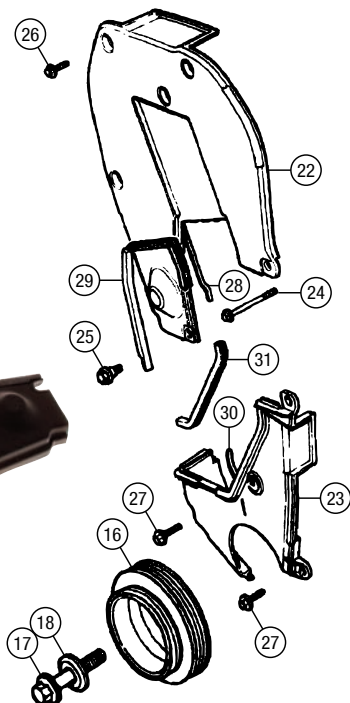
- 45 BOLT, camshaft gear** 4 **SX110350**
Front and rear pulleys.
- 46 WASHER, camshaft gear** 4 **LYF000020**
Front and rear pulleys.
- 47 CRANKSHAFT PULLEY (ancillary belt)** 1 **LHG000010**
- 48 BOLT, crankshaft pulley** 1 **WAM4243**
- 49 WASHER, crankshaft bolt** 1 **LYF10051**
- 50 TIMING COVER, front inner** 1 **LJR104760**
- 51 SCREW, front inner timing cover, short** 3 **LYP10005L**
- 52 SCREW, front inner timing cover, long** 1 **LYP10008L**
- 53 TIMING COVER, front outer, upper** 1 **LJR104770**
- 54 TIMING COVER, front outer, lower** 1 **LJR104350**
- 55 BOLT, upper cover, long, 55mm** 1 **FB106115**
- 55 BOLT, upper cover, medium, 35mm** 1 **FB106075L**
- 56 BOLT, upper cover, short** 1 **DBP1420L**
- 57 SCREW, upper cover securing** 3 **FS106165E**
- 58 SCREW, lower cover securing** 2 **LYG10015**
- 59 SEAL, front timing cover, upper cover, inner** 1 **LJQ10008LP**
- 60 SEAL, front timing cover, upper cover, outer** 1 **LJQ10003LP**
- 61 SEAL, front timing cover, lower cover, inner** 1 **LJQ10001LP**
- 62 SEAL, front timing cover, lower cover, outer** 1 **LJQ10007LP**
- 63 TIMING COVER, rear, inner** 1 **LJR000110**
MG TF type; see note below for MGF VVC.
- 64 TIMING COVER, rear, outer** 1 **LJR000120**
MG TF type; see note below for MGF VVC.
Note that both inner and outer covers must be replaced together if fitting to MGF VVC engines.
- 65 SCREW, rear inner t/cover, short** 2 **FS105101P**
- 66 SCREW, rear inner t/cover, long** 1 **LYP10005L**
- 67 SCREW, rear outer timing cover** 4 **FS106205**



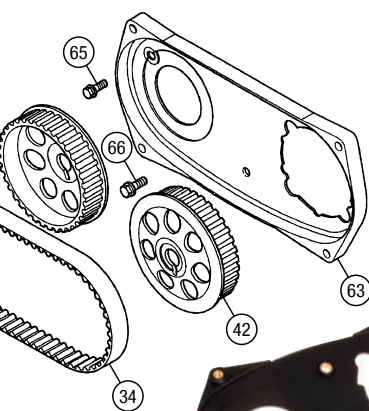
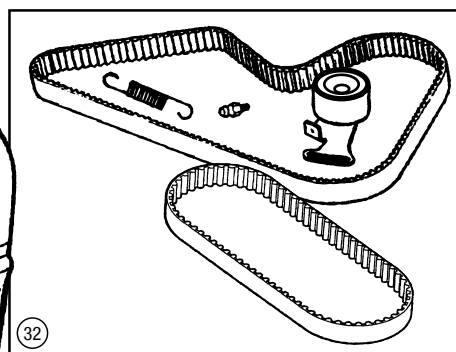
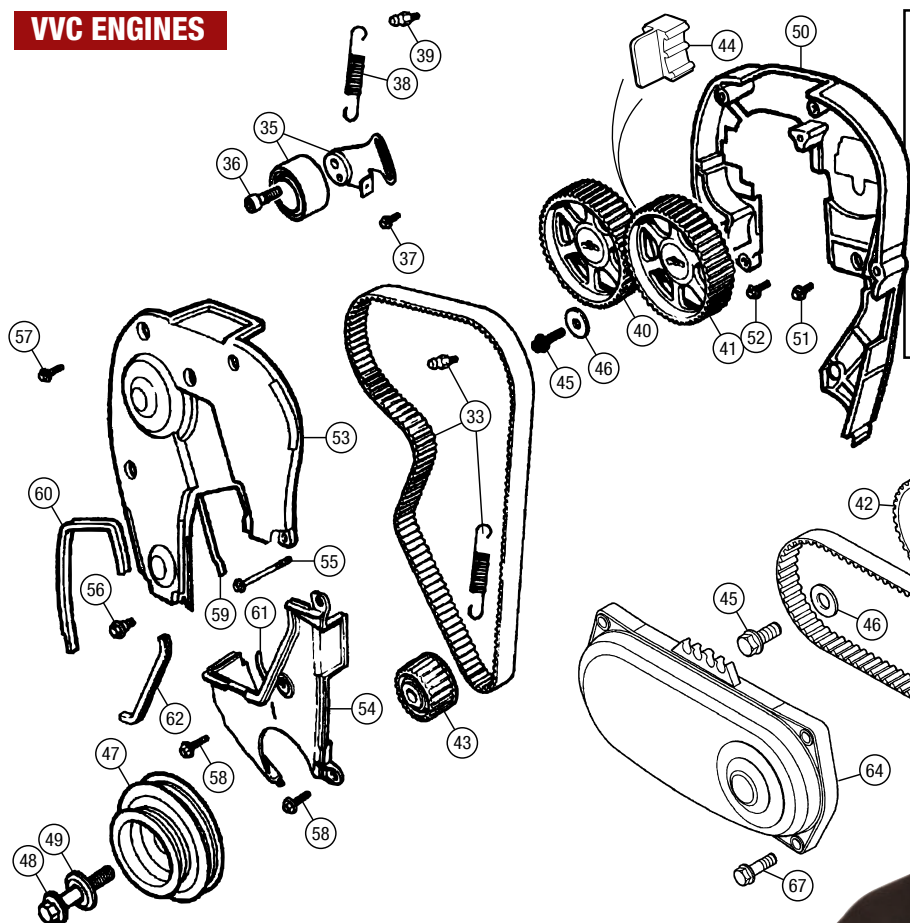
NON-VVC ENGINES



UPPER TIMING COVER OUTER - LJR104000



VVC ENGINES



OUTER REAR TIMING COVER - MG TF VVC TYPE - LJR000120



INNER REAR TIMING COVER - MG TF VVC TYPE - LJR000110

ORDER

BY PHONE: 01522 568000 / ON LINE: www.rimmerbros.co.uk / E-MAIL: mgrover@rimmerbros.co.uk



No.	DESCRIPTION	QTY REQ.	PART No.	No.	DESCRIPTION	QTY REQ.	PART No.	No.	DESCRIPTION	QTY REQ.	PART No.
-----	-------------	----------	----------	-----	-------------	----------	----------	-----	-------------	----------	----------

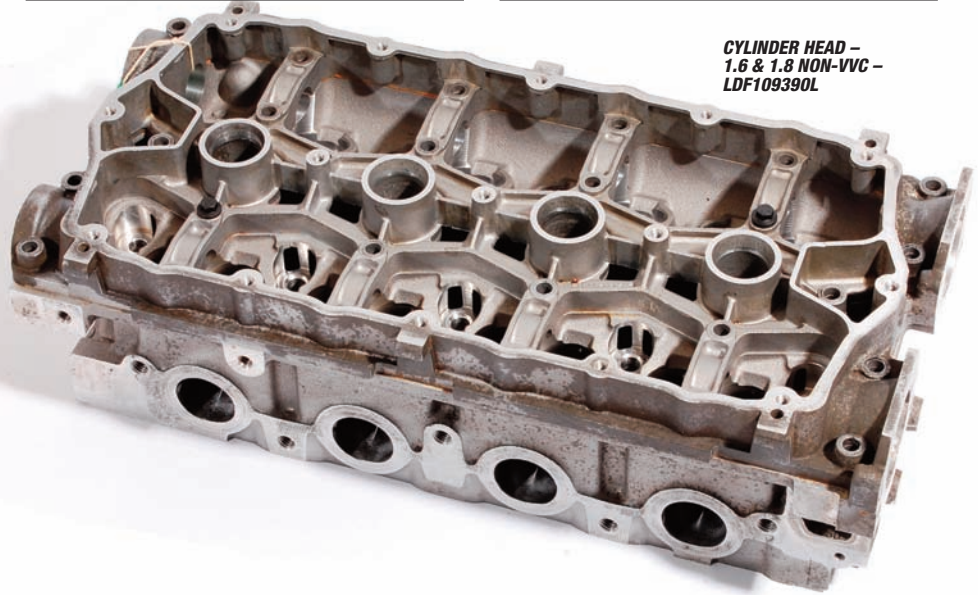
Cylinder Head Assembly

1.6 & 1.8 NON-VVC

1	CYLINDER HEAD:		
	new	1	LDF109380L
	Complete with valves and springs		
	factory reconditioned, exchange	1	LDF109380SR
	Complete with valves and springs		
	bare, new	1	LDF109390L
	Less valves and springs		

1.8 VVC

2	CYLINDER HEAD:		
	Assembly - with valve guides & seats, less valves.		
	up to 1999	1	LDF108520
	Up to eng. nos. J89 673980 & J90 637367.		
	2000 onwards	1	LDF000980
	From eng. nos. J89 673981 & J90 637368 on, plus 160PS engines (Trophy & TF 160), VIN YD530689 (2000) on.		
	2000 onwards	1	LDF000990
	Complete assembly including cams and VVC unit.		



CYLINDER HEAD - 1.6 & 1.8 NON-VVC - LDF109390L

Cylinder Head Components

1.6 & 1.8 NON-VVC

3	VALVE GUIDE, standard, plain	16	LGJ10034
4	VALVE GUIDE, grooved & stepped	16	LGJ10034LP1
	The factory fitted one of two sizes of valve guide in a cylinder head, depending on head machining accuracy. Standard size guides are plain in profile, whereas oversize guides (referred to by the factory as 'salvage' guides) are grooved and stepped for easy identification later when service repairs are carried out. When renewing valve guides, you must first identify your old guides and ensure that replacements of the same type are ordered and fitted.		
5	VALVE SEAT INSERT, inlet	8	LGK101160
6	VALVE SEAT INSERT, exhaust	8	LGK101170
7	VALVE, inlet	8	LGH10029
8	VALVE, exhaust	8	LGH101190
9	VALVE STEM OIL SEAL, each	16	LUB100351
10	VALVE STEM OIL SEAL SET	1	LUB100351PSET
	Engine set of 16.		
11	VALVE SPRING	16	LGL10008
12	CAP, valve spring	16	UAM3797L
13	COLLET, spring cap (each, not pair)	32	LGN10004
14	TAPPET, hydraulic	16	LGR000050SLP

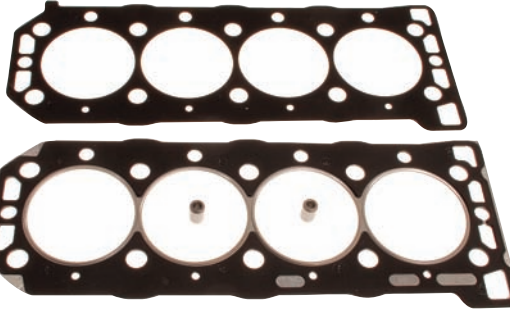


CYLINDER HEAD BOLT KIT - ENGINE SET - WAM2293KIT

15	BOLT, cylinder head, each	10	WAM2293
	Stretch bolt (fit new whenever removed).		
16	BOLT, cylinder head (engine set of 10)	1	WAM2293KIT
	Stretch bolt (fit new whenever removed).		
17	CYLINDER HEAD GASKET SET:		
	with std cylinder head gasket	1	LVQ000091SLP
	with multi layer head gasket	1	LVQ000091PMLS
18	CYLINDER HEAD GASKET ONLY:		
	standard	1	LVB000321
	MLS (Multi-Layer Steel)	1	LVB500190A
	Developed for the EU4 compliant version of the K Series.		

See also item 9 in the 'Engines & Engine Components' section for strengthened oil rail sets, which include the multi-layer steel head gasket. These sets are strongly recommended for solving head gasket failure problems on the K Series engine.

19	DOWEL, pin (incl. with head gasket)	2	LYU000010
20	DOWEL, roll pin	2	LYU100290
21	BOLT, camshaft carrier to head	26	LDN10018
22	STUD, cylinder head to inlet manifold:		
	up to 2000	3	TE108065M
	from 2001 on	7	TE108065M
23	STUD, cylinder head to exhaust manifold	5	LYR000021
24	BLANKING PLATE, camshaft carrier	1	LDL100210
25	SCREW, blanking plate to carrier	2	FS108165M
26	ELBOW, coolant outlet	1	PEQ100680
27	GASKET, coolant elbow	1	PET10042
28	SCREW, coolant elbow to head	2	FS106207



CYLINDER HEAD GASKET - MLS TYPE - LVB500190A

Cylinder Head Components

1.8 VVC

29	VALVE GUIDE, standard, plain	16	LGJ10034
30	VALVE GUIDE, grooved & stepped	16	LGJ101060
	The factory fitted one of two sizes of valve guide in a cylinder head, depending on head machining accuracy. Standard size guides are plain in profile, whereas oversize guides (referred to by the factory as 'salvage' guides) are grooved and stepped for easy identification later when service repairs are carried out. When renewing valve guides, you must first identify your old guides and ensure that replacements of the same type are ordered and fitted.		
31	VALVE SEAT INSERT, inlet:		
	up to 1999	8	LGK10088
	Up to eng. nos. J89 673980 & J90 637367.		
	2000 onwards	8	LGK101140L
	From eng. nos. J89 673981 & J90 637368 on, plus 160PS engines (Trophy & TF 160), VIN YD530689 (2000) on.		
32	VALVE SEAT INSERT, exhaust:		
	up to 1999	8	LGK10089
	Up to eng. nos. J89 673980 & J90 637367.		
	2000 onwards	8	LGK101150
	From eng. nos. J89 673981 & J90 637368 on, plus 160PS engines (Trophy & TF 160), VIN YD530689 (2000) on.		
33	VALVE, inlet	8	LGH10064
34	VALVE, exhaust	8	LGH101361
35	VALVE STEM OIL SEAL, each	16	LUB100351



VALVE STEM OIL SEAL SET - ENGINE SET - LUB100351PSET

36	VALVE STEM OIL SEAL SET	1	LUB100351PSET
	Engine set of 16.		
37	VALVE SPRING	16	LGL100460
38	CAP, valve spring	16	UAM3797L
39	COLLET, spring cap (each, not pair)	32	LGN10004
40	TAPPET, hydraulic	16	LGR100330
41	BOLT, cylinder head, each	10	WAM2293
	Stretch bolt (fit new whenever removed).		
42	BOLT, cylinder head (engine set of 10)	1	WAM2293KIT
	Stretch bolt (fit new whenever removed).		
43	CYLINDER HEAD GASKET SET:		
	with std cylinder head gasket	1	LVQ000102SLP
	with multi layer head gasket	1	LVQ000102PMLS
44	CYLINDER HEAD GASKET ONLY:		
	standard	1	LVB000321
	MLS (Multi-Layer Steel)	1	LVB500190A
	Developed for the EU4 compliant version of the K Series.		

See also item 9 in the 'Engines & Engine Components' section for strengthened oil rail sets, which include the multi-layer steel head gasket. These sets are strongly recommended for solving head gasket failure problems on the K Series engine.

45	DOWEL, pin (incl. with head gasket)	2	LYU000010
46	DOWEL, roll pin	2	LYU100290
47	BOLT, camshaft carrier to head, short (M6 x 30)	28	LDN10018
48	BOLT, camshaft carrier to head, long (M6 x 50)	4	FB106105
49	STUD, cylinder head to inlet manifold	2	TE108051
50	STUD, cylinder head to exhaust manifold	5	LYR000021
51	ELBOW, coolant outlet	1	PEQ100680
52	GASKET, coolant elbow	1	PET10042
53	SCREW, coolant elbow to head	2	FS106207



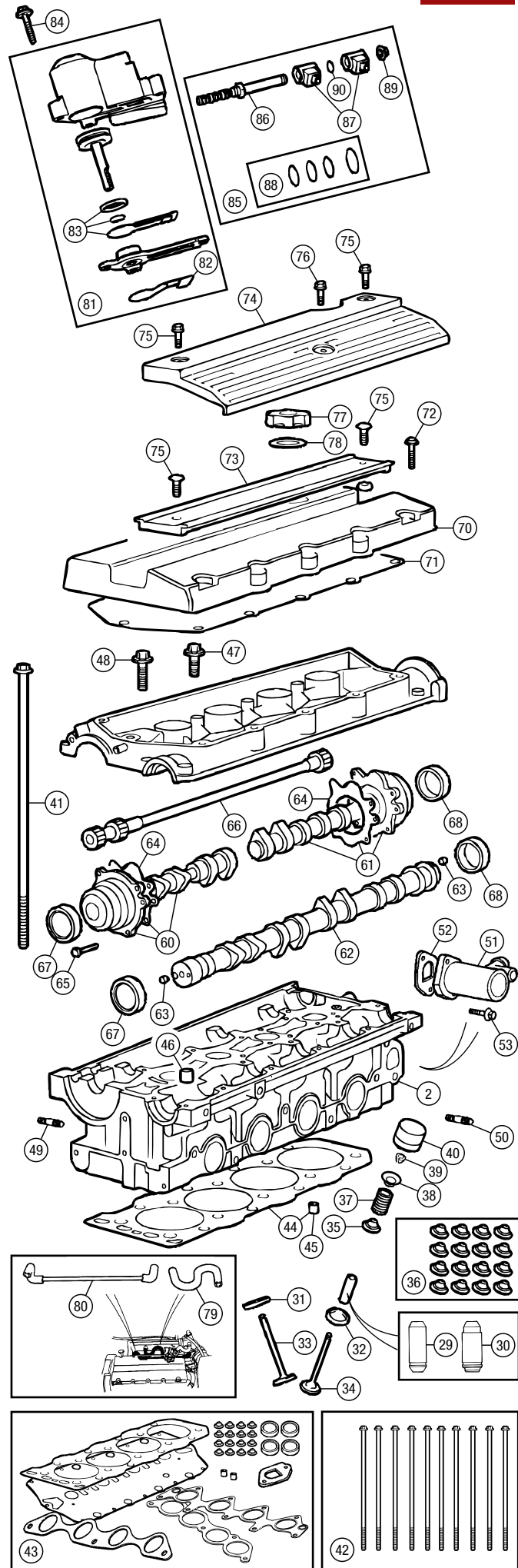
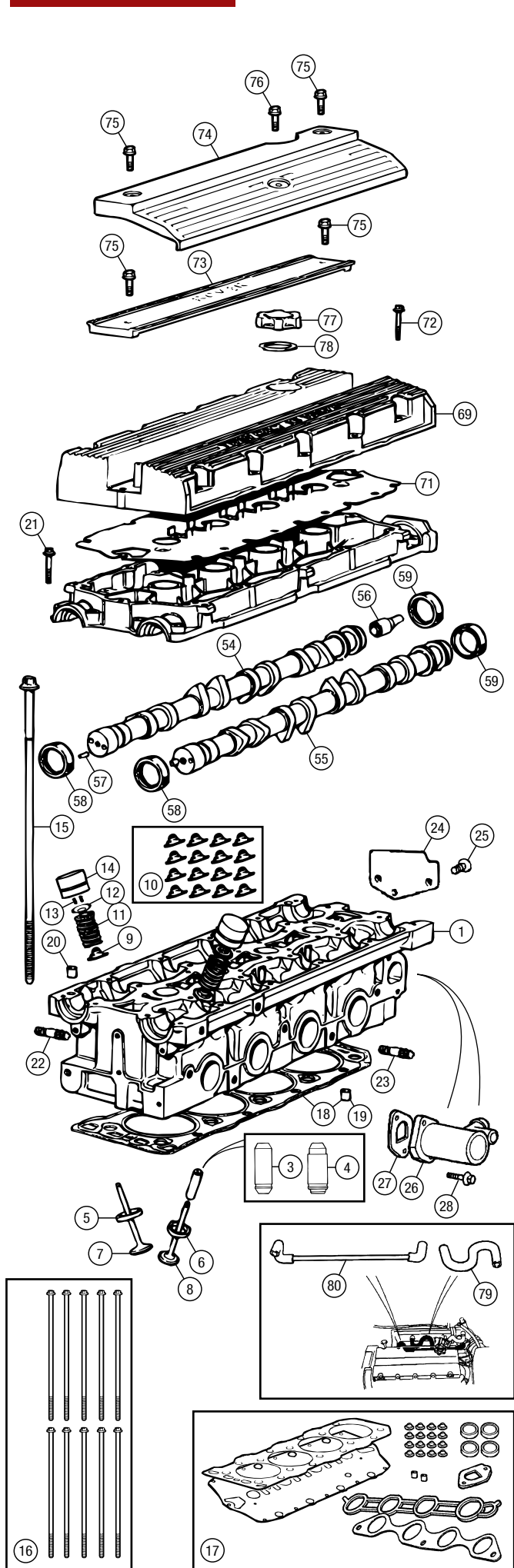
INLET VALVE - LGH10064

EXHAUST VALVE - LGH101360



1.6 & 1.8 NON-VVC

1.8 VVC





No. DESCRIPTION QTY REQ. PART No.

Camshaft - 1.6 & 1.8 NON-VVC

Replacement camshafts for the earlier (distributor fitted) 1.8 engines used to be supplied complete with cam gear locating roll pins and, in the case of inlet camshafts, the distributor drive spindle bush. Following the rationalisation of replacement camshafts to the part numbers listed here, this is no longer the case so if the roll pins and bush are required they must be purchased separately.

54	CAMSHAFT, inlet:		
	manual		
	1.6	1	LGC106960
	early 1.8	1	LGC106010
	<i>Up to eng. nos. J31 694354 & J32 692084.</i>		
	later 1.8	1	LGC106960
	<i>from eng. nos. J31 694355 & J32 692085 on.</i>		
	automatic	1	LGC106960
55	CAMSHAFT, exhaust:		
	manual		
	1.6	1	LGC106960
	early MGF 1.8	1	LGC10205
	<i>Up to eng. nos. J31 196826 & J32 197073.</i>		
	intermediate MGF 1.8	1	LGC106010
	<i>from eng. nos. J31 196827 to 694354 & J32 197074 to 692084.</i>		
	late MGF 1.8	1	LGC106960
	<i>from eng. nos. J31 694355 on & J32 692085 on.</i>		
	MG TF 1.8	1	LGC000280
	<i>from VIN 2D600101 on.</i>		
	automatic	1	LGC106960
56	BUSH, distributor drive spindle	1	NJJ10001
	<i>Early MGF 1.8, up to eng. nos. J31 196826 & J32 197073.</i>		
57	ROLL PIN, cam gear locating	4	PA112150
58	SEAL, camshaft, front (black)	2	LUC100290
59	SEAL, camshaft, rear (red)	2	LUC100220
	<i>Early MGF 1.8 engines up to eng. nos. J31 694354 & J32 692084 were originally fitted with the same cam oil seals front and rear. When replacement is required, the front and rear specific oil seals listed above should be used.</i>		



This revolutionary system has been developed to allow you to perform an oil change easily without any of that unnecessary mess.

AS USED BY CURRENT MAJOR MANUFACTURERS

STAHLBUS, SUMP DRAIN PLUG LSF100040LODV

The Stahlbus oil drain valve replaces the existing drain plug. When changing the oil, you simply unscrew the dust cap and lock the quick release bayonet adaptor into place by hand. Once this is locked, the valve opens and the oil can be drained into an appropriate container using the hose provided. Upon disconnecting the hose adaptor, the valve closes immediately. Simply replace the dust cap and the engine is ready to be refilled with oil.

MG/TF UNIVERSAL ENGINE COOLER KIT

Fitting an engine oil cooler offers peace of mind if your engine is working hard, or your car is used in a hot climate. The kit includes oil cooler, thermostat, fittings and instructions.



OIL COOLER KIT, inc thermostat

RP1531

No. DESCRIPTION QTY REQ. PART No.

Camshaft - 1.8 VVC

60	CAMSHAFT, inlet, RH (front)	1	LXV100140
61	CAMSHAFT, inlet, LH (rear)	1	LXV100150
62	CAMSHAFT, exhaust	1	LGC107430
63	ROLL PIN, cam gear locating	2	PA112150
	<i>Used with the exhaust camshaft only. Originally supplied with the camshaft, although depending on available stock this may now not be the case.</i>		
64	SEAL, valve timing housing (inlet)	2	LJQ100950SLP
65	SCREW, housing to cylinder head	8	LYP10003
66	SHAFT, variable valve timing	1	LJZ100680
67	SEAL, camshaft, front (black)	2	LUC100290
68	SEAL, camshaft, rear (red)	2	LUC100220
	<i>Early VVC engines up to eng. nos. J89 692198 & J90 643283 were originally fitted with the same cam oil seals front and rear. When replacement is required, the front and rear specific oil seals listed above should be used.</i>		



Kent Cams are renowned for their range of performance enhancing cams and have been manufacturing in the UK since the early '60s. No other single modification will result in a greater increase in performance, than by fitting a performance cam.

The K-series engine benefits greatly from such a modification and is a relatively straightforward job, especially when combined with head gasket replacement and/or strengthened oil rail set installation.

KENT PERFORMANCE CAMSHAFTS - pair

1.4 & 1.6 K-series **RP1558**
Pair of matched performance camshafts for 1.4 & 1.6 K-series engines. Approx +10 BHP increase for 1.4 models and +12 BHP increase for 1.6 models. Uses standard cam followers. Lift 9.72mm duration 252 degrees.

1.8 K-series Non VVC **RP1559**
Pair of matched performance camshafts for 1.8 K-series engines. Approx +22 BHP increase. Uses standard cam followers. Lift 10.79mm duration 258 degrees. Not suitable for VVC models.

KENT CAMS ADJUSTABLE VERNIER TIMING PULLEYS - K-series engines

1 **LHB101360KENT**
Pair of lightweight alloy, adjustable vernier timing pulleys for use with performance camshafts. It is often impossible to achieve perfect timing when fitting performance camshafts in conjunction with the standard Rover pulleys. These adjustable vernier pulleys allow for precise timing via on car adjustments.

KENT CAMS UPDATED (SINGLE) VALVE SPRING SET - K-series engines

1 **LGL10008URSET**

ENGINE OIL

X-Flow TYPE X3 10W/40
Semi-Synthetic Motor Oil

X-Flow TYPE X3 10W/40
Semi-Synthetic Motor Oil

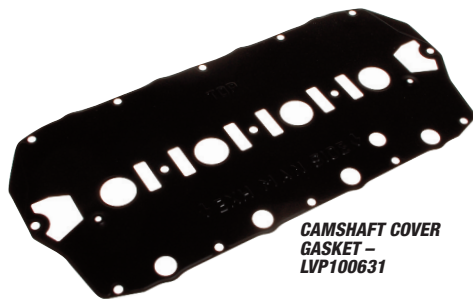
XPower semi-synthetic engine oil, 10W/40, suitable for climates down to -20°C.

ENGINE OIL:
1 litre **XFS1L**
5 litres **XFS5L**

No. DESCRIPTION QTY REQ. PART No.

Camshaft Cover

69	CAMSHAFT COVER, manual non-VVC 1	LDR103260
	<i>1.8 engines up to eng. nos. J31 590355 & J32 568018 being fitted with this camshaft cover will also require one of each LLH102380 manifold breather hose and LLH102390 throttle body breather hose to replace the original hoses on the engine.</i>	
69	CAMSHAFT COVER, automatic	LDR104511
70	CAMSHAFT COVER, VVC	LDR000431
	<i>VVC engines up to eng. no. J89 587410 being fitted with this camshaft cover will also require one of each LLH102380 manifold breather hose and LLH102390 throttle body breather hose to replace the original hoses on the engine.</i>	



CAMSHAFT COVER GASKET - LVP100631

71	GASKET, camshaft cover	1	LVP100631
72	BOLT, camshaft cover	15	FB106067L
73	SPARK PLUG COVER, pre-plug top coil ignition type	1	LDR103810
	<i>1.8 manual non-VVC and 1.8 VVC up to VIN YD522572.</i>		
74	SPARK PLUG COVER, plug top coil ignition type	1	LDR000400
	<i>1.8 manual non-VVC and 1.8 VVC from VIN YD522573 on, all 1.6 engines and 1.8 automatic engines.</i>		
75	BOLT, spark plug cover	2	FB106075L
76	SCREW, spark plug cover	1	FS106205
	<i>For plug top coil ignition type spark plug cover only.</i>		
77	OIL FILLER CAP, yellow (incl. seal)	1	LQC100270
78	SEAL, oil filler cap	1	LUD100040
79	HOSE, cam cover to inlet manifold breather		
	early 1.8 manual	1	LLH102210A
	<i>1.8 manual non-VVC up to eng. nos. J31 590354 & J32 568017, 1.8 VVC up to eng. no. J89 587410.</i>		
	late 1.8 manual & 1.6	1	LLH102380
	<i>1.8 manual non-VVC from eng. nos. J31 590355 on & J32 568018 on, 1.8 VVC from eng. no. J89 587411 on, all 1.8 VVC J90 eng. nos., all 1.6.</i>		
	1.8 automatic	1	LLH102210A
-	CLIP	2	UKC3798
80	HOSE, cam cover to throttle body breather		
	early 1.8 manual	1	LLH102280
	<i>1.8 manual non-VVC up to eng. nos. J31 590354 & J32 568017, 1.8 VVC up to eng. no. J89 587410.</i>		
	late 1.8 manual & 1.6	1	LLH102390
	<i>1.8 manual non-VVC from eng. nos. J31 590355 on & J32 568018 on, 1.8 VVC from eng. no. J89 587411 on, all 1.8 VVC J90 eng. nos., all 1.6.</i>		
	1.8 automatic	1	LLH102801
-	CLIP	2	LYC10005

Hydraulic Control Unit - vvc

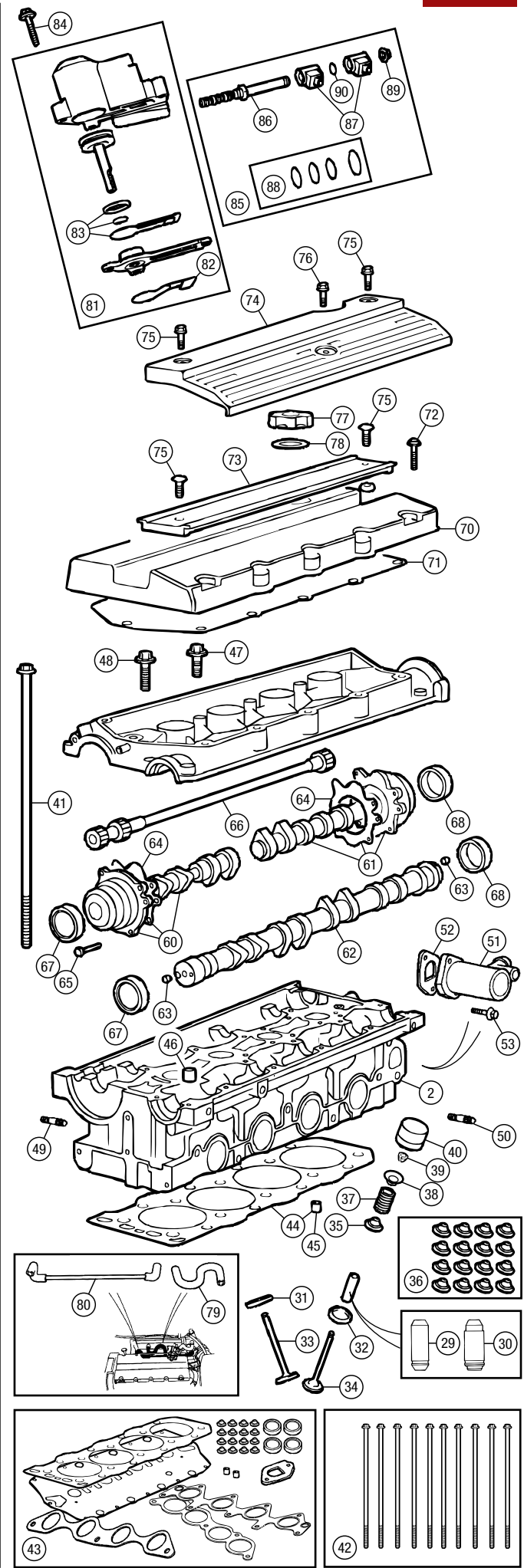
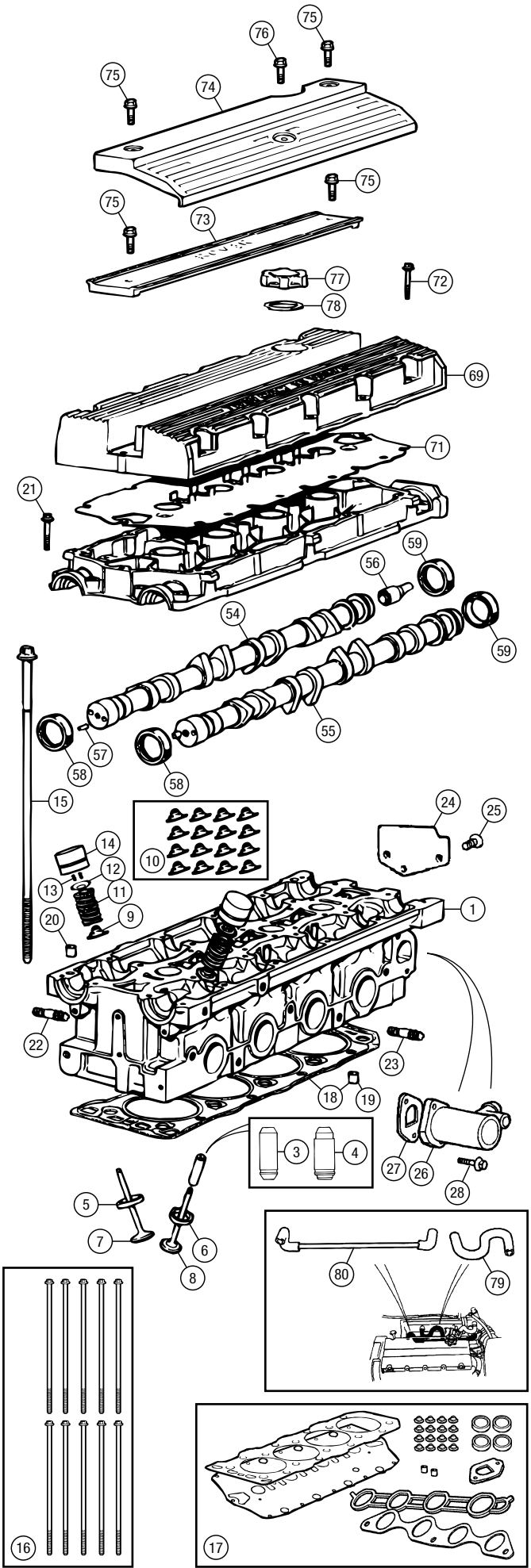
81	HYDRAULIC VVC CONTROL UNIT	1	LXS100080
	<i>Less solenoid control valve assembly.</i>		
82	SEAL, hydraulic control unit	1	LJQ100920SLP
	<i>Included in hydraulic VVC control unit.</i>		
83	SEAL KIT, hydraulic control unit	1	LXB100060
	<i>Included in hydraulic VVC control unit.</i>		
84	BOLT, control unit to cam carrier	3	FB108095
85	SOLENOID CONTROL VALVE ASS'Y	1	LGH101350
	<i>The solenoid control valve ass'y includes the following five items:</i>		
86	CONTROL VALVE ONLY (less solenoid)	1	LGH101300
87	SOLENOID	2	LNN100000
88	SEAL KIT, control valve	1	LXB100070
89	NUT, control valve	1	LYH100470
90	WASHER, control valve	1	LYF101440

1.6 & 1.8 NON-VVC

1.8 VVC



CYLINDER HEAD & CAMSHAFTS

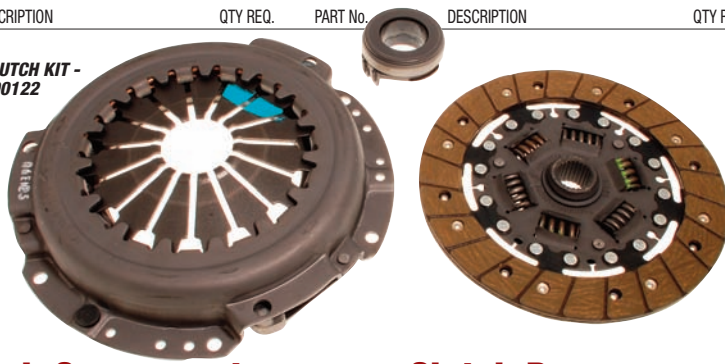




CLUTCH

No.	DESCRIPTION	QTY REQ.	PART No.	DESCRIPTION	QTY REQ.	PART No.	No.	DESCRIPTION	QTY REQ.	PART No.
-----	-------------	----------	----------	-------------	----------	----------	-----	-------------	----------	----------

1.8 CLUTCH KIT - URF000122



Clutch Components

1	CLUTCH KIT: <i>Includes clutch cover, plate and release bearing.</i>		
	1.6 (200mm dia. clutch)	1	URF000160
	1.8 (215mm dia. clutch)	1	URF000122
2	CLUTCH COVER:		
	1.6	1	URB000170
	1.8	1	URB10009
3	CLUTCH PLATE:		
	1.6	1	UQB000091
	1.8	1	UQB000221
4	RELEASE BEARING <i>(all models)</i>	1	UTJ100170
5	BOLT, clutch to flywheel	6	FS108161

Clutch Release Fork

6	FORK, clutch release	1	UTB100140L
7	BOLT, clutch fork to shaft	1	DBM588L
8	WASHER, clutch fork bolt	1	DBM589
9	CLUTCH SHAFT	1	UTC100100
10	BUSH KIT, clutch shaft	1	UNM100010
11	SEAL, clutch shaft	1	CDU70L

Clutch Master Cylinder

12	MASTER CYLINDER, clutch	1	STC100083
13	CAP, master cylinder	1	AAU8240
14	REPAIR KIT, master cylinder	1	STY000020
15	SEAL, master cylinder mounting	1	NAM1394
16	SCREW, master cylinder mounting	2	FS108256
17	NUT, master cylinder mounting	2	FN108046
18	CLEVIS PIN, master cylinder	1	PC108241
19	SPRING CLIP, clevis pin	1	EDP7864
20	WASHER, clevis pin	1	WA108051

Clutch Damper

<i>1.8 VVC up to VIN XD507922 only.</i>			
21	CLUTCH DAMPER	1	AAU8008A
22	MOUNTING, clutch damper	1	DCP7354
23	BRACKET, clutch damper	1	STU100240
24	SCREW, damper to bracket	2	FS106127P
25	COLLAR, protective, screw	2	DCP3706

Clutch Slave Cylinder, Pipes & Hoses

26	SLAVE CYLINDER <i>(all models)</i>	1	UUB100040
27	REPAIR KIT, slave cylinder	1	UUB100180
28	CLEVIS PIN, slave cylinder	1	PC108321A
29	SPRING CLIP, clevis pin	1	NAM6385
30	BRACKET, slave cylinder	1	UUU100650
31	SCREW, slave cylinder to bracket	2	FS108207L
32	SCREW, bracket to engine mounting	2	FS110207
33	SCREW, bracket to transmission	2	KYP10005
34	PIPE, master cylinder to clutch hose: <i>All models except VVC up to VIN XD507922.</i>		
	RHD	1	STG100762
	LHD	1	STG100772
35	PIPE, master cylinder to damper <i>VVC up to VIN XD507922 only.</i>	1	STG101010
36	PIPE, damper to hose: <i>VVC up to VIN XD507922 only.</i>		
	RHD	1	STG100990
	LHD	1	STG000090
37	PIPE & HOSE ASS'Y, slave cylinder <i>(all models)</i>	1	STG100950
38	HOSE, slave cylinder <i>(incl. in pipe & hose assembly):</i>		
	original	1	STH100170
	Goodridge, braided	1	STH100170GR
39	PIPE, slave cylinder <i>Incl. in pipe & hose assembly.</i>	1	STG000080
40	CLIP, pipe to slave cylinder bracket	1	DCP7363

Clutch Pedal

41	PEDAL RUBBER, clutch	1	DBP7047
42	CLUTCH PEDAL ASSEMBLY:		
	RHD	1	SUC100282PMA
	LHD	1	SUC100292PMA
43	BUSH, clutch pedal pivot	2	NAM6875
44	CIRCLIP, pedal lever	1	FAM3903
45	SPRING, pedal return	1	EGP1529
46	BUSH, pedal return spring	1	EJP1380
47	PEDAL SHAFT ASS'Y, clutch & brake	1	SKU100871
48	NUT, pedal shaft ass'y	1	FN108041
49	SCREW, pedal shaft ass'y	3	FS108161
50	BRACKET, pedal mounting	1	SKU100580
51	SEAL, pedal mounting bracket	1	NAM9348
52	SCREW, pedal mounting bracket	6	FS106165E

Clutch Fluid

53	CLUTCH/BRAKE FLUID, Dot 4:		
	250ml	A/R	S3SHE02
	500ml	A/R	S3SHE05
	1 litre	A/R	S3SHE1
54	CLUTCH/BRAKE FLUID, silicone: <i>Replaces conventional clutch/brake fluid. Doesn't absorb water - doesn't degrade. Will not harm paintwork if spilt.</i>		
	0.5 litre	A/R	RX1327
	1 litre	A/R	RX1326



DOT 4 CLUTCH/BRAKE FLUID - S3SHE05



SILICONE CLUTCH/BRAKE FLUID - RX1327

Engine & Gearbox Mountings

55	ENGINE MOUNTING, RH:		
	manual	1	KKB000421
	automatic	1	KKB101441
56	ENGINE MOUNTING, LH <i>Manual & automatic.</i>	1	KKB101821
57	NUT, RH engine mounting	1	FN112041
58	SCREW, RH engine mounting	2	C2S1052
59	BRACKET, engine bearer, RH	1	KKU106150
60	BOLT, RH bracket to engine, short	1	FC110157EL
61	BOLT, RH bracket to engine, long	2	FC110181L
62	ARM ASSEMBLY, RH engine mounting:		
	manual	1	KKQ100801
	automatic	1	KKQ101424
63	BUSH, arm <i>(incl. in arm ass'y)</i>	1	KKF000040
64	BOLT, mounting arm to bracket	2	FC114167
65	TIE ROD, RH engine mounting	1	KKH101091
66	BOLT, tie rod securing	2	FB112131
67	NUT, tie rod securing	2	FN112041
68	BRACKET, LH engine mounting, manual	1	KKU103820
69	BRACKET, LH engine mounting, automatic	1	KKQ101643

70	BOLT, bracket, LH engine mounting, manual	2	FB110131
71	BOLT, bracket, LH engine mounting, automatic	3	KYG101030
72	BOLT, LH engine mounting	1	FB112241
73	SPACER, LH engine mounting	1	KKK100110
74	NUT, LH engine mounting	1	FX112041L
75	SCREW, LH engine mounting	2	FS110207
76	TIE ROD ASSEMBLY:		
	manual	1	KKH100782
	automatic	1	KKH102570
77	BOLT, tie rod, inner	1	FB112111
78	BOLT, tie rod, outer	1	FC112171M
79	NUT, tie rod	1	FN112041
80	HOUSING & BUSH ASS'Y, tie rod	1	KKG100371
81	SCREW, tie rod housing	4	FS112281L
82	RESTRAINT, engine	1	KLH100070
83	STRUT, engine brace, RH <i>MG TF only (VIN 2D600101 on).</i>	1	AGW460100
84	STRUT, engine brace, LH <i>MG TF only (VIN 2D600101 on).</i>	1	AGW460110

TIE ROD ASSEMBLY MANUAL - KKH100782



ENGINE MOUNTING RH, MANUAL - KKB000421



ENGINE MOUNTING RH, AUTOMATIC - KKB101441



ENGINE MOUNTING LH - KKB101821



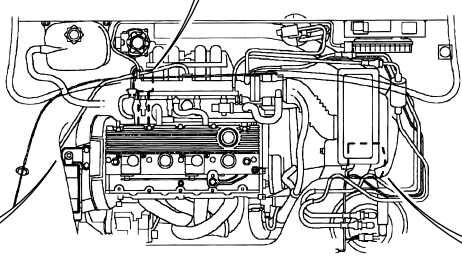
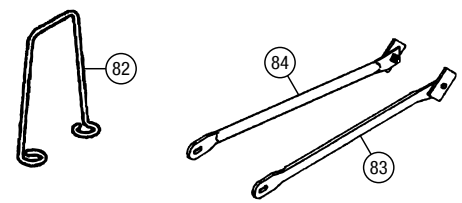
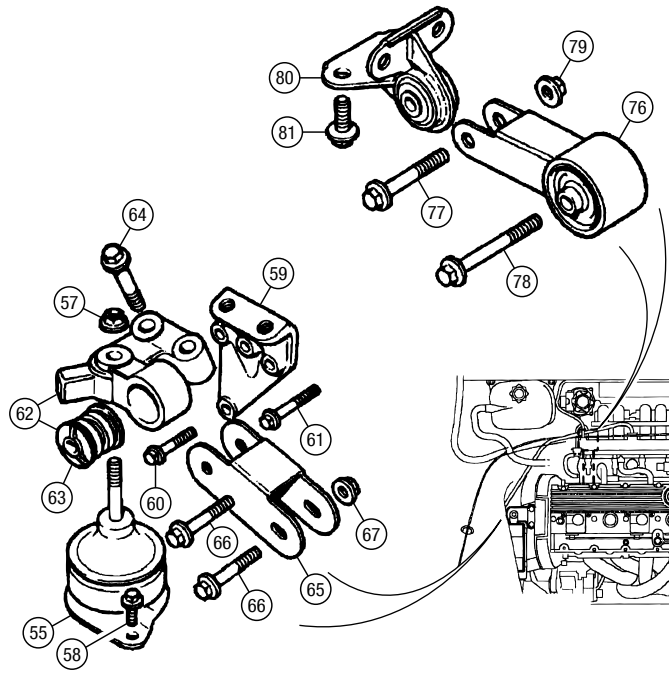
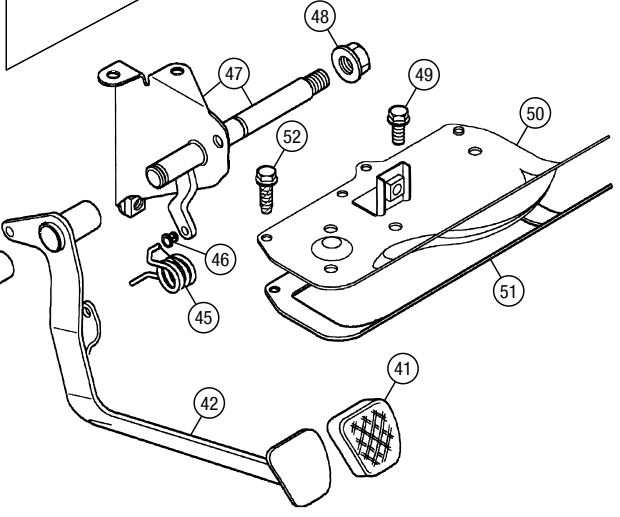
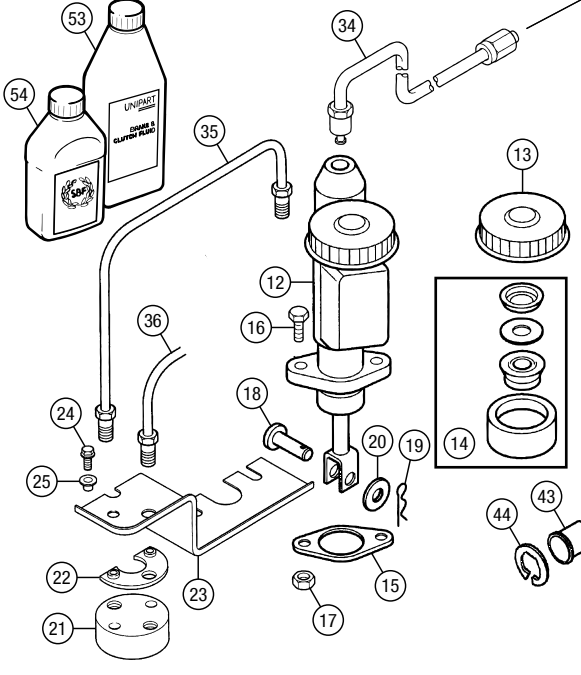
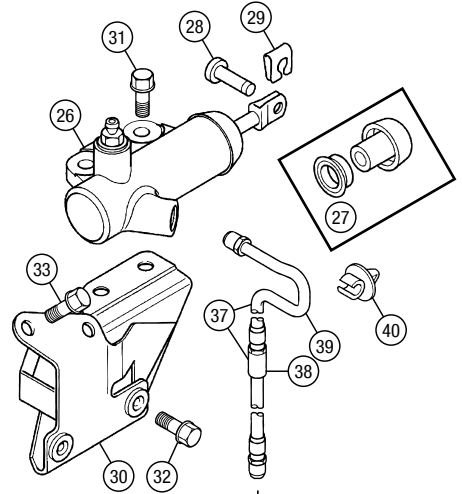
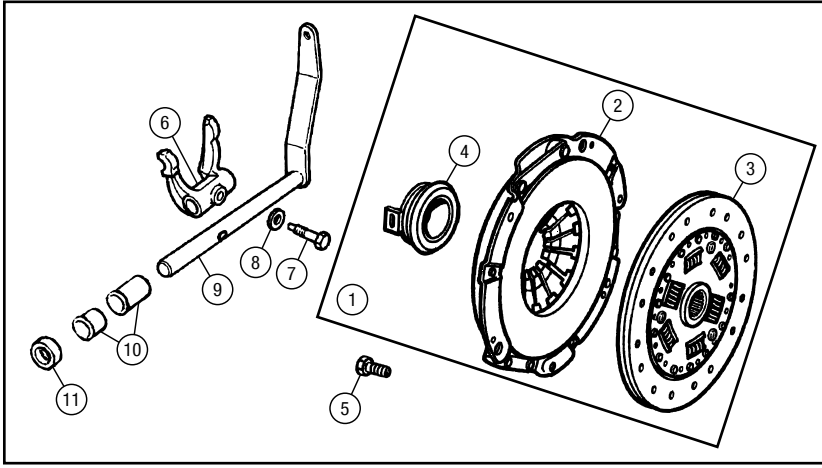
BUSH, ARM - KKF000040

ENGINE MOUNTINGS

ORDER BY PHONE: 01522 568000 / ON LINE: www.rimmerbros.co.uk / E-MAIL: mgrover@rimmerbros.co.uk

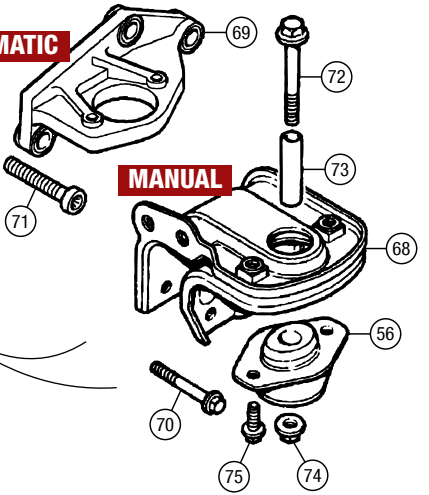


GLUTCH



AUTOMATIC

MANUAL



ORDER BY PHONE: 01522 568000 / ON LINE: www.rimmerbros.co.uk / E-MAIL: mgrover@rimmerbros.co.uk

ENGINE MOUNTINGS



No. DESCRIPTION QTY REQ. PART No.

Water Pump

1	WATER PUMP (all models)	1	PEB102511
2	'O' RING, water pump	1	PET10010SLP
3	SCREW, water pump	4	FS106205E
4	BOLT, water pump support	1	PEW100070
5	DOWEL, water pump	2	WAM4059
6	DRIVEBELT, polyvee, water pump & ancillaries:		
	with air conditioning	1	PQS101180
	non-air conditioning	1	PQS100840

Engine Mounted Thermostat & Housing

For 2004 model year onwards pressure relief thermostat (PRT), please refer to Pressure Relief Thermostat & Hoses later in this section.

MGF & MG TF THERMOSTATS

The thermostat fitted to MGF models and pre-2003 model year MG TF models is of a traditional type located inside a housing bolted to the engine. The thermostat can be replaced in its housing, in time honoured fashion, as required. It may be found below in Engine Mounted Thermostat & Housing.

From September 2003 onwards (from VIN 4D) and intermittently from January 2003, a Pressure Relief Thermostat (known variously as 'PRT' or 'PRRT' - pressure relief remote thermostat) was introduced on the MG TF. Its purpose was to reduce thermal shock on the engine (and subsequent strain on the cylinder head gasket) by introducing a softer cycle of cold and hot coolant through the engine as the thermostat opened and closed during high speed running.

The PRT's location was further away from the engine inside a sealed assembly inserted in the hose run to the underfloor pipes. As the 'sealed' suggests, this assembly must be replaced as a single unit - it can be found later in this section under Pressure Relief Thermostat & Hoses.

When the PRT was introduced, the old engine-mounted thermostat housing was retained in the cooling system, but a restricting flange was fitted inside it in place of the thermostat to ensure water pump flow was still governed correctly. At the same time, the water flow through the radiator was reversed. The radiator was not modified, since being a crossflow type it can operate either way, but considerable changes in the cooling system routing were required.

Also from January 2003 the MG TF automatic (CVT Steptronic) was given a PRT, but the layout and hose runs differ significantly to those on the manual cars, throwing further complexity into the already complicated MGF/TF hose layout history.

The PRT system was successful, and can be retro-fitted to MGFs and earlier TFs if desired. A good understanding of cooling system principles is however required to correctly carry out the necessary modifications to the engine bay pipework - unfortunately not a job for the average DIYer.

7	HOUSING ASSEMBLY, complete, up to early 2003 approx	1	PEM10025
	Includes thermostat.		
8	HOUSING ASSEMBLY, complete, early 2003 approx onwards	1	PEM000020
	Includes restrictor flange in place of thermostat.		
9	THERMOSTAT, 88°C	1	PEL10016
	Up to early 2003 approx.		
10	FLANGE, flow restricting	1	PEL000040A
	Early 2003 approx onwards.		
11	'O' RING, thermostat housing, centre	1	PEF10010
12	'O' RING, thermostat housing, inlet/outlet	2	CDU3858
13	SCREW, housing assembly	3	FS106205E
14	BOLT, housing to engine	1	FB106081L

Cylinder Head Coolant Outlet

15	ELBOW, coolant outlet	1	PEQ100680L
16	GASKET, coolant elbow	1	PET10042
17	SCREW, coolant elbow to head	2	FS106207

No. DESCRIPTION QTY REQ. PART No.



MGF RADIATOR ASSEMBLY - PCC105740SLP

Radiator

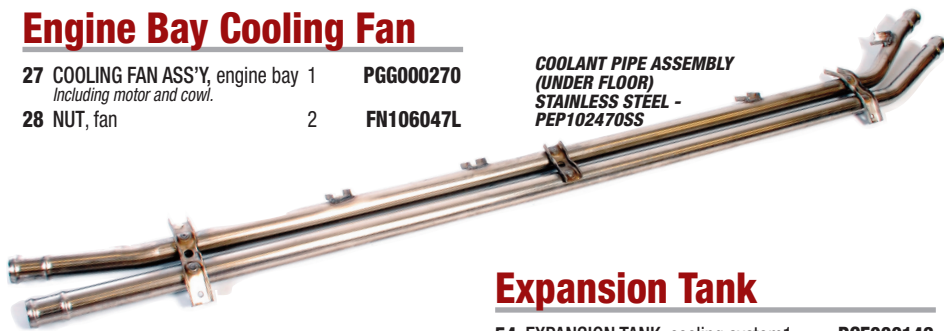
18	RADIATOR ASSEMBLY: MGF	1	PCC105740SLP
	MG TF	1	PCC001140SLP
19	BLEED SCREW, radiator	1	PYP100500
	Fits original production MGF radiators only. Will not fit any subsequent replacements.		
20	MOUNTING RUBBER, radiator	4	PCG100230
21	BRACKET, upper mounting	2	ABU460310
22	SCREW, mounting bracket	4	FS106127P
23	FOAM STRIP, radiator, to bonnet locking platform	1	PZL000010
24	FOAM STRIP, radiator, to bumper armature	1	PZL000020

Radiator Cooling Fan

25	COOLING FAN ASS'Y, radiator	1	PGF101410
	Including motor and cowl.		
26	NUT, fan to radiator	3	FN105047L

Engine Bay Cooling Fan

27	COOLING FAN ASS'Y, engine bay	1	PGG000270
	Including motor and cowl.		
28	NUT, fan	2	FN106047L



COOLANT PIPE ASSEMBLY (UNDER FLOOR) STAINLESS STEEL - PEP102470SS

Underfloor Coolant Pipes

For the heater system's rigid underfloor pipes and the hoses that connect them to the heater, please refer to the Heating section (the next section in this catalogue).

29	PIPE ASS'Y, underfloor, cooling system, manual:		
	Engine to radiator.		
	mild steel (standard)	1	PEP102470
	stainless (durable alternative)	1	PEP102470SS
30	PIPE ASS'Y, underfloor, cooling system, automatic:		
	Engine to radiator.		
	mild steel (standard)	1	PEP103280
	stainless (durable alternative)	1	PEP103280SS
31	CLIP, underfloor coolant pipes	6	YQR100750
32	SCREW, underfloor coolant pipes	3	FS108357

Radiator & Underfloor Coolant Hoses

For the hoses that connect the heater system's rigid underfloor pipes to the heater, please refer to the Heating section (the next section in this catalogue).

33	HOSE, radiator, top	1	PCH112320
34	HOSE, radiator, bottom	1	PCH112330
35	HOSE CLIP, top & bottom hose	4	GHC913
36	SUPPORT CLIP, hose:		
	up to VIN 4D638456	4	PYC101180
	from VIN 4D638457 onwards	4	PYC000760
37	NUT, support clip	4	FN106047
38	HOSE, engine to underfloor coolant pipes, manual, engine to RH pipe	1	PEH100820
39	HOSE, engine to underfloor coolant pipes, manual, engine to LH pipe	1	PEH000090
	OE pipe includes adaptor (42) and clip (43).		

No. DESCRIPTION QTY REQ. PART No.

40	HOSE, engine to underfloor coolant pipes, automatic: engine to RH pipe:		
	up to VIN YD520171	1	PEH101420
	from VIN YD520172 on	1	PEH000420
41	HOSE, engine to underfloor coolant pipes, automatic: engine to LH pipe	1	PEH101730
42	ADAPTOR (incl. in OE hose 39)	1	PFF100040
43	HOSE CLIP (incl. in OE hose 39)	1	PYC101520
44	HOSE CLIP, RH underfloor hose	2	GHC913
45	HOSE CLIP, LH underfloor hose, to underfloor pipe	1	GHC913
46	HOSE CLIP, LH underfloor hose, to engine	1	PYC102320
47	HOSE, engine to underfloor heater pipes, manual, engine to RH (return) pipe	1	PEH100850
48	HOSE, engine to underfloor heater pipes, manual, engine to LH (inlet) pipe	1	PEH100900
49	HOSE, engine to underfloor heater pipes, automatic, engine to RH (return) pipe	1	PEH101720
50	HOSE, engine to underfloor heater pipes, automatic: engine to LH (inlet) pipe	1	PEH000360
	bypass to heater	1	PEH101740
51	HOSE CLIP, to engine cooling circuit	2	PYC101400A
52	HOSE CLIP, to underfloor heater pipe	2	PYC101540
53	SWIVEL CLIP:		
	coolant hose to coolant hose	1	PYC101740
	coolant hose to selector cable	1	PYC101750
	coolant hose to heater hose	1	PYC101770

Expansion Tank

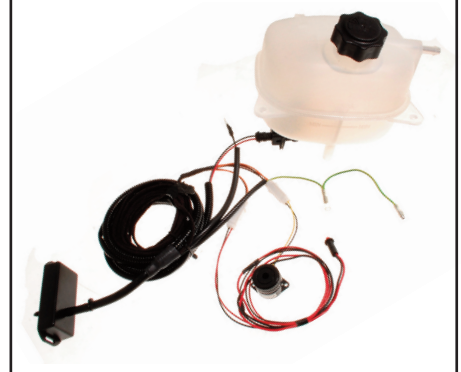
54	EXPANSION TANK, cooling system	1	PCF000142
	Later type, VIN 4D632424 (2004) on - with coolant level sensor.		
-	Sensor - coolant level	1	PCJ000040
	VIN 4D632424 ('04) on.		
	Suitable for use with expansion tank PCF000142.		
55	PRESSURE CAP, expansion tank	1	PCD100160
56	SCREW, tank securing	2	FS106167
57	GROMMET, tank mounting	1	ATU1040A

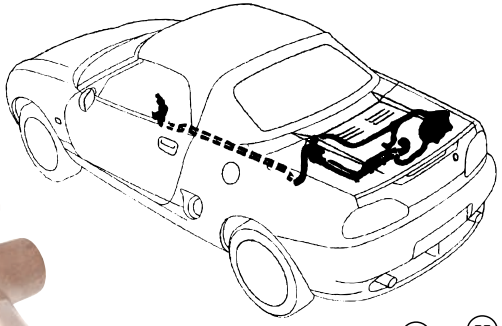
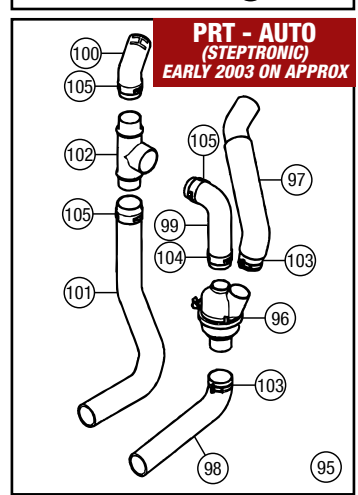
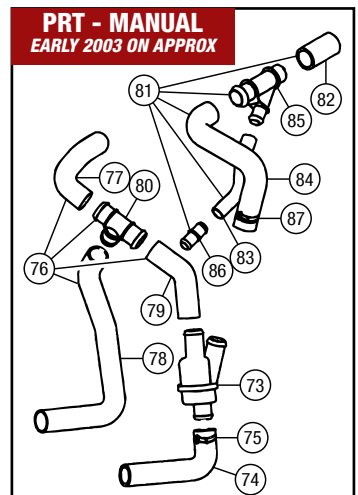
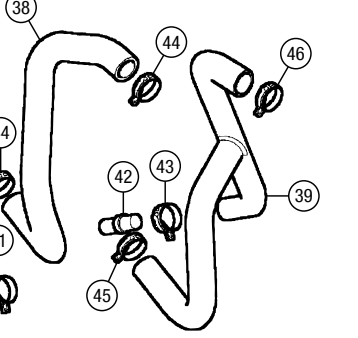
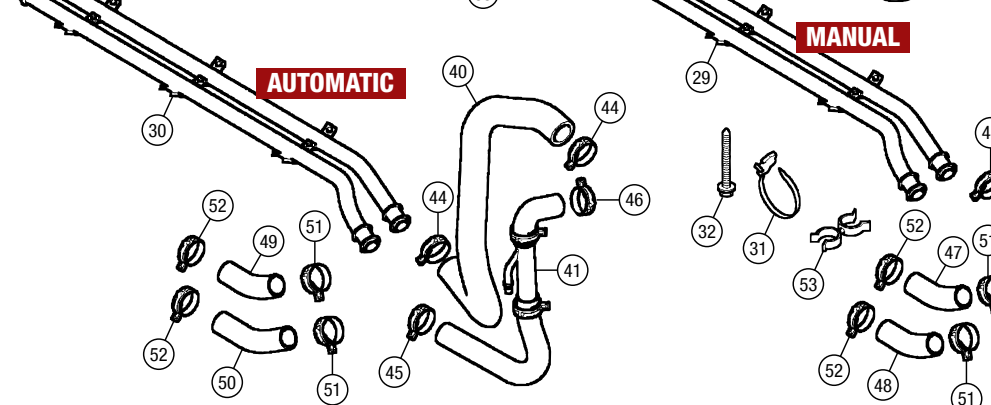
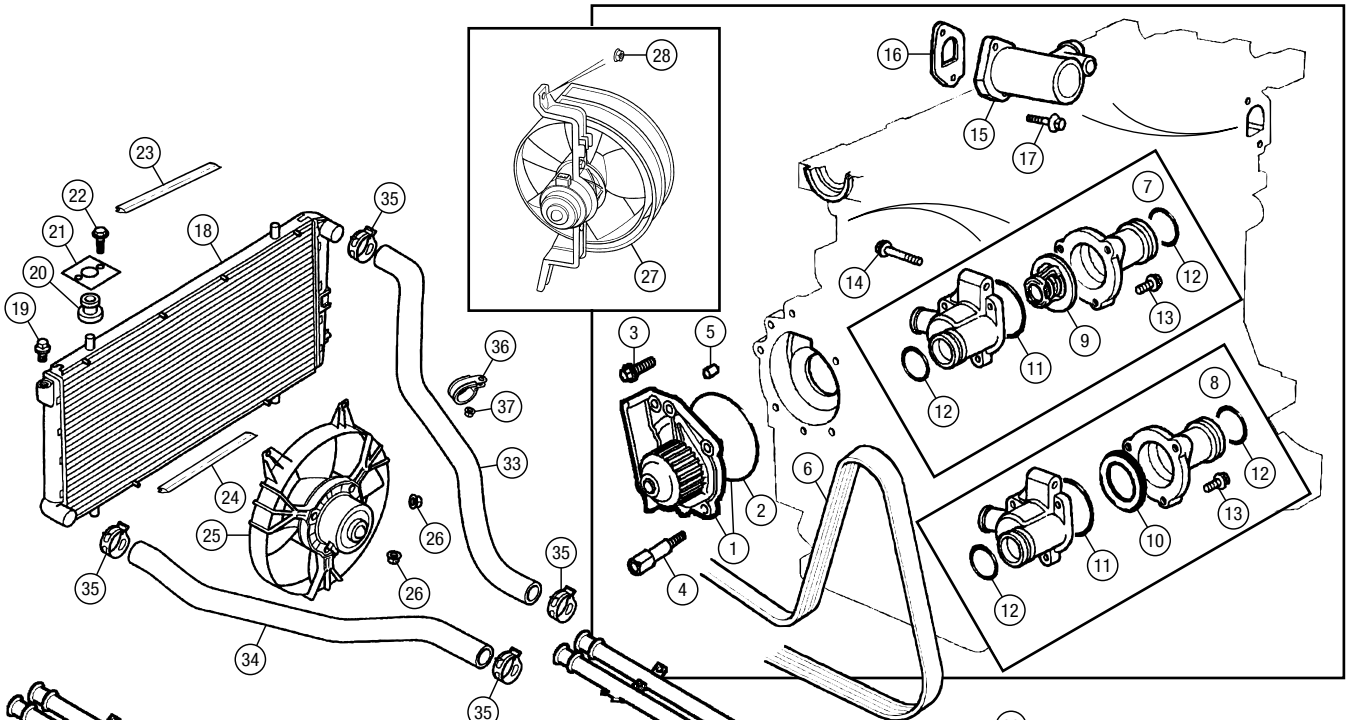
WATER LEVEL SENSOR KIT

Getting a warning that the coolant level is dropping is so valuable, allowing the driver to act and rectify the situation before overheating (or head gasket failure) occurs. That's why MG Rover saw fit to introduce a coolant level sensor on the MG TF in 2004.

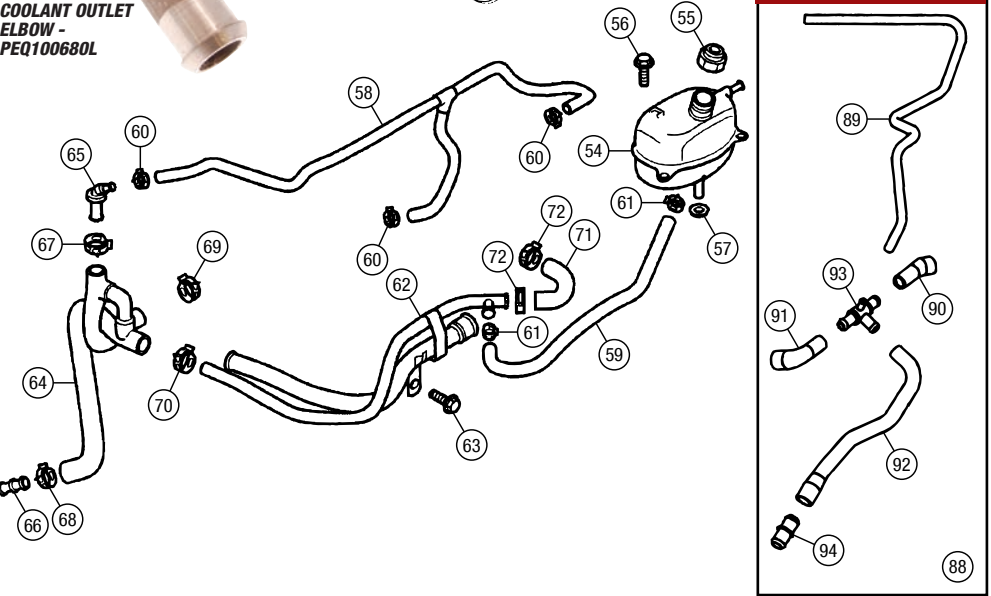
Now, owners of MGFs and pre-2004 MG TFs can enjoy the same protection and peace of mind by fitting this sensor kit. Containing all the parts required, the kit may be simply fitted in a couple of hours and provides a choice between a warning buzzer or light as the means of alerting the driver.

WATER LEVEL SENSOR KIT 1 PCF000142SK





COOLANT OUTLET ELBOW - PEQ100680L



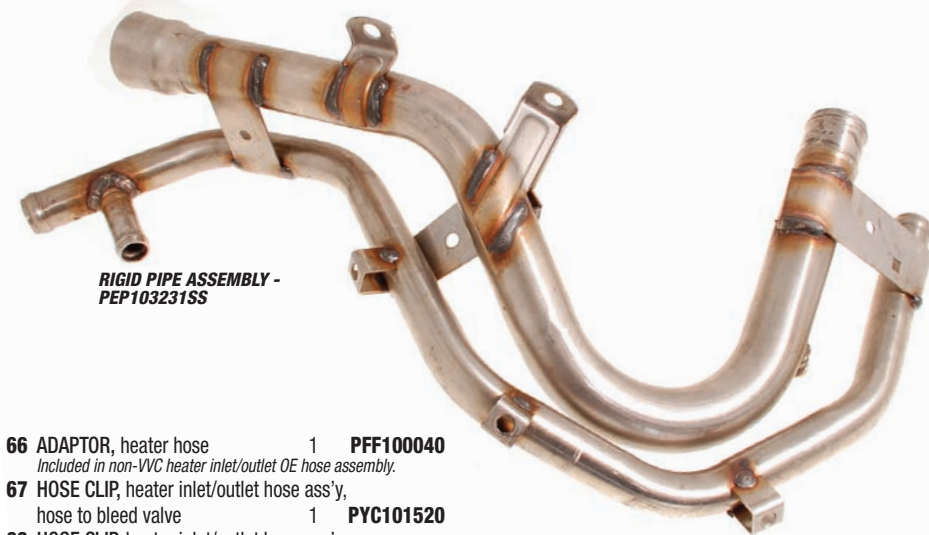


No. DESCRIPTION QTY REQ. PART No.

Engine Bay Hoses & Pipes

- 58 HOSE, expansion tank:
to bleed valve
MGF 1 PCH112340
MG TF
up to 2004 (non-PRT) 1 PCH002490
from 2004 on (with PRT) 1 PCH002500
- 59 HOSE, expansion tank
to rigid pipe assembly 1 PCH111600
- 60 HOSE CLIP, expansion tank hose
to bleed valve 3 CN100169
- 61 HOSE CLIP, expansion tank hose
to rigid pipe 2 PYC101220L
- 62 RIGID PIPE ASS'Y, heater to engine coolant rail:
all models without factory fitted engine oil cooler
mild steel (standard) 1 PEP103231
stainless (durable alternative) 1 PEP103231SS
all models with factory fitted engine oil cooler
Trophy, TF160 plus other models fitted with factory fitted engine oil cooler.
mild steel (standard) 1 PEP000151
stainless (durable alternative) 1 PEP000151SS
- 63 SCREW, rigid pipe securing 1 FS108161
- 64 HOSE ASS'Y, heater inlet/outlet:
all models except VVC 1 PEH100790
VVC models 1 PEH100940
- 65 VALVE, system bleed 1 PE100010
Included in non-VVC heater inlet/outlet OE hose assembly.

No. DESCRIPTION QTY REQ. PART No.



RIGID PIPE ASSEMBLY - PEP103231SS

- 66 ADAPTOR, heater hose 1 PFF100040
Included in non-VVC heater inlet/outlet OE hose assembly.
- 67 HOSE CLIP, heater inlet/outlet hose ass'y,
hose to bleed valve 1 PYC101520
- 68 HOSE CLIP, heater inlet/outlet hose ass'y,
hose to adaptor 1 PYC101510
- 69 HOSE CLIP, heater inlet/outlet hose ass'y,
hose to engine 1 PYC102300
- 70 HOSE CLIP, heater inlet/outlet hose ass'y,
hose to rigid pipe ass'y 1 PYC101400A
- 71 HOSE, t'stat housing to rigid pipe 1 PEH100870
- 72 HOSE CLIP, t'stat housing hose 2 CN100329

Pressure Relief Thermostat (PRT) & Hoses

MG TF MANUAL
Early 2003 approx, onwards

- 73 PRESSURE RELIEF THERMOSTAT:
standard fitment 1 PEM101021
87°C, medium spring rate.
alternative fitment 1 PEL500110
82°C, soft spring rate.
This is the PRT usually suggested for retro conversions on MGFs and pre-2003 MG TFs.



PRESSURE RELIEF THERMOSTAT - PEM101021



PRESSURE RELIEF THERMOSTAT - PEL500110

- 74 HOSE, PRT to underfloor pipe 1 PCH002810
- 75 CLIP, hose to thermostat 1 PYC000550
- 76 HOSE ASSEMBLY, engine, top 1 PCH002960
Includes hoses & T piece nos. 77-80.
- 77 HOSE, engine to T piece 1 PCH002750
- 78 HOSE, underfloor pipe to T piece 1 PCH002740
- 79 HOSE, thermostat to T piece 1 PCH002760
- 80 T PIECE, engine top hose 1 PFK000031
- 81 HOSE ASSEMBLY, engine, bottom 1 PCH002970
Includes hoses, Y piece & adaptor nos. 82-86.
- 82 HOSE, coolant rail to Y piece 1 PCH002780
- 83 HOSE, heater outlet to Y piece 1 PCH002840
- 84 HOSE, thermostat to Y piece 1 PCH002770
- 85 Y PIECE, engine bottom hose 1 PEV000010
- 86 ADAPTOR, heater outlet hose 1 PYC000380
- 87 CLIP, hose to thermostat 1 PYC000550
- 88 HOSE ASSEMBLY, heater bypass 1 PCH002792
Includes hoses, 4 way connector & adaptor nos. 89-94.
- 89 HOSE, bypass bleed 1 PCH002800
- 90 HOSE, coolant rail to 4 way connector 1 PCH002830
- 91 HOSE, outlet to 4 way connector 1 PCH002821
- 92 HOSE, inlet to 4 way connector 1 PCH002850
- 93 CONNECTOR, 4 way 1 PEO000010
- 94 ADAPTOR, inlet hose 1 PCH000380

Pressure Relief Thermostat (PRT) & Hoses

MG TF AUTOMATIC (STEPTRONIC),
Early 2003 approx, onwards

- 95 PRESSURE RELIEF THERMOSTAT & HOSE ASSY 1 PCH003320
Includes pressure relief thermostat, hoses & t piece nos. 96-102. 87°C, medium spring rate.
If you're a proud Lotus owner using this catalogue to find parts for your MGf-engined Lotus Elise Series 1, this kit provides you with most of the parts required to convert your engine to run with a pressure relief thermostat.



PRESSURE RELIEF THERMOSTAT - PEM100990

- 96 PRESSURE RELIEF THERMOSTAT 1 PEM100990
87°C, medium spring rate.
- 97 HOSE, thermostat to engine 1 PCH003330
- 98 HOSE, thermostat to underfloor pipe 1 PEH000560
- 99 HOSE, thermostat to T piece 1 PCH003340
- 100 HOSE, T piece to engine 1 PEH000570
- 101 HOSE, T piece to underfloor pipe 1 PEH000580
- 102 T PIECE, thermostat hoses 1 PFK000031
- 103 HOSE CLIP, hose to thermostat 2 PYC000550
- 104 HOSE CLIP, T piece hose to thermostat 1 GHC913
- 105 HOSE CLIP, hose to T piece 3 PYC000590



HOSE, THERMOSTAT TO T PIECE - PCH002970

Anti-Freeze & Summer Coolant

MGf and MG TF engines use Organic Acid Technology (OAT) anti-freeze and summer coolant, which is orange/pink in colour. Only anti-freeze containing OAT corrosion inhibitors should be used to top up or refill the cooling system.
An anti-freeze concentration of 50% by volume (no greater than 60% by volume) is recommended; thus as the cooling system capacity from dry is 10.5 litres, 5.25 litres of anti-freeze is required.

XPART LONG LIFE OAT:

1 litre	A/R	XP1LL
5 litres	A/R	XP5LL
20 litres	A/R	XP20LL

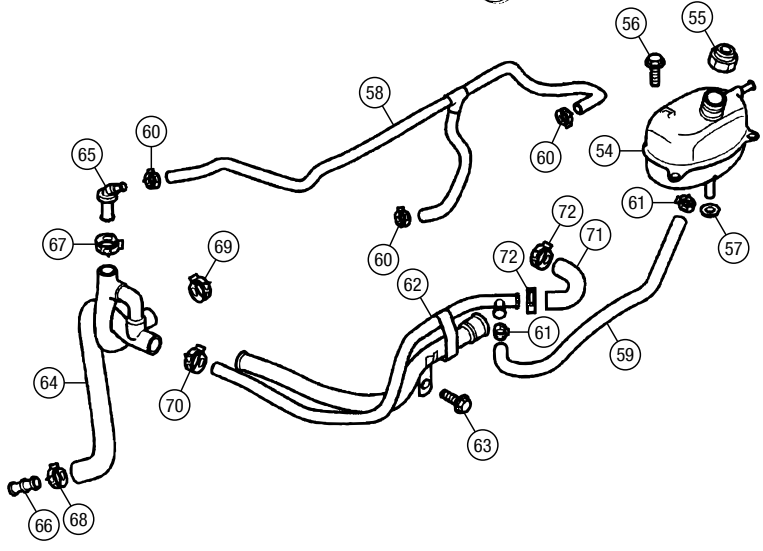
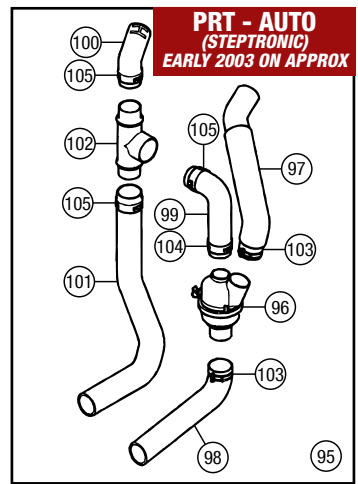
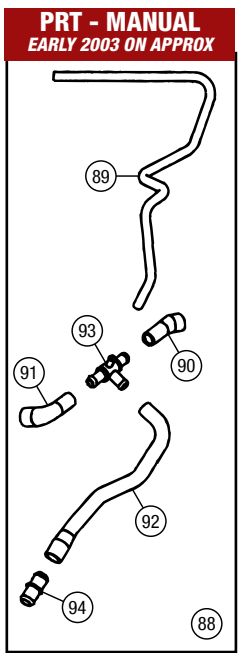
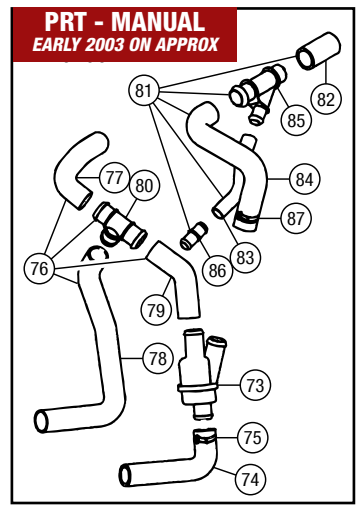
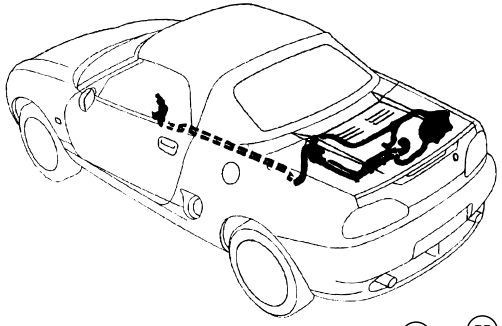
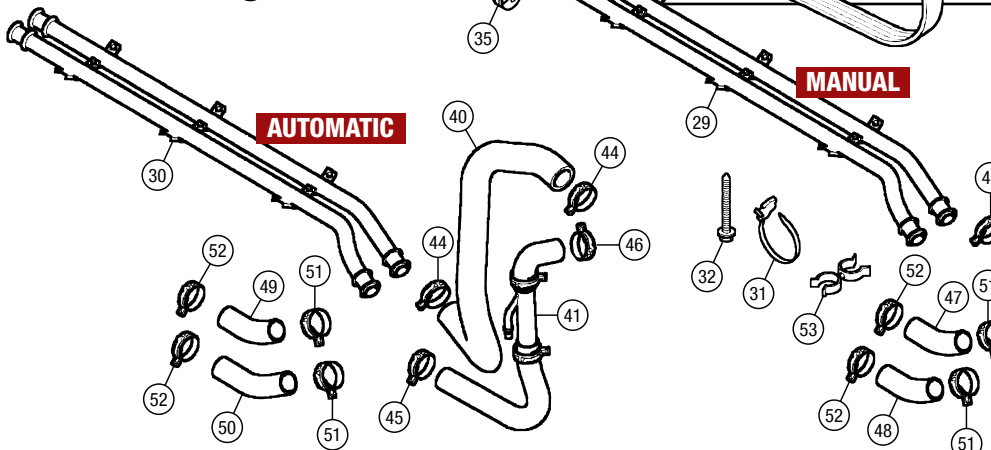
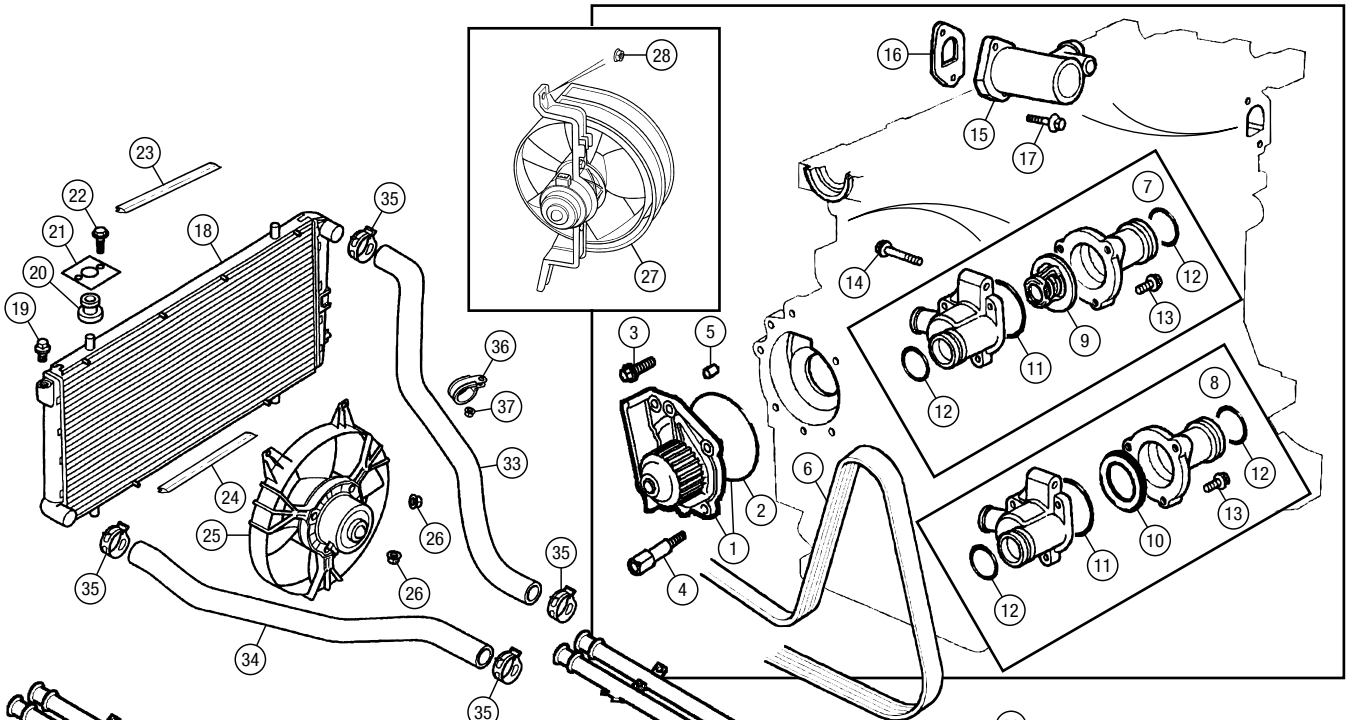
ANTI-FREEZE AND SUMMER COOLANT - XP1LL



HOSE ASSEMBLY, HEATER BYPASS - PCH002792



HOSE ASSEMBLY, ENGINE, TOP - PCH002960



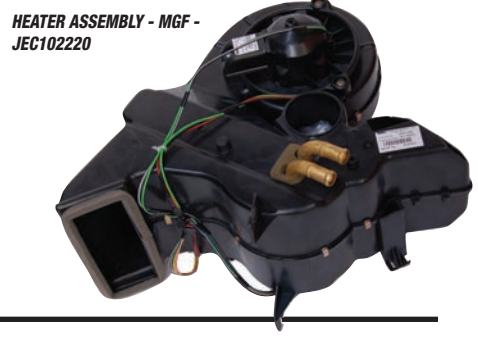


No.	DESCRIPTION	QTY REQ.	PART No.	No.	DESCRIPTION	QTY REQ.	PART No.	No.	DESCRIPTION	QTY REQ.	PART No.
-----	-------------	----------	----------	-----	-------------	----------	----------	-----	-------------	----------	----------

Heater Assembly

1	HEATER ASSEMBLY (incl. items 2-7): MGF		
	RHD	1	JEC102220
	LHD	1	JEC102230
	MG TF		
	RHD	1	JEC000940
	LHD	1	JEC000950
2	MATRIX, heater	1	JEF000070
3	BLEED SCREW, matrix	1	JHN100010

4	MOTOR & FAN, heater blower: RHD	1	JGC100150
	LHD	1	JGC100140
5	RESISTOR, blower speed control: standard unit	1	JGM100110A
	uprated (ceramic type)	1	JGM100110UR
6	WIRING HARNESS, heater: MGF	1	JGK100110
	MG TF	1	JGK000030
7	LEVER, air flow distribution	1	JEJ100270
8	NUT, heater to body	3	ADU7037



HEATER ASSEMBLY - MGF - JEC102220



Heater Controls

9	HEATER CONTROL ASSEMBLY, with finisher panel: MGF		
	up to VIN XD511058	1	JFC101800PMA
	VIN XD511059 on		
	non-illuminated knobs	1	JFC102750PMA
	illuminated knobs	1	JFC102740PMA
	MG TF	1	JFC000450PMA
10	HEATER CONTROL ASSEMBLY, without finisher panel (MG TF)	1	JFC001420
11	FINISHER PANEL (MG TF) See also item 16A.	1	JWK000230
12	SCREW, illumination box securing	6	AR608041
13	SCREW, control ass'y securing	4	BNP4200
14	CONTROL KNOB, heater: Original equipment (each).		
	MGF		
	to VIN XD511058	3	JFD100590PMA
	Black, non-illuminated.		
	VIN XD511059 on	3	JFD100680WCV
	Black & alloy, non-illuminated.		
	VIN XD511059 on	3	JFD100690WCV
	Black & alloy, illuminated.		
	The black & alloy knob fitted to MGFs from VIN XD511059 onwards may be replaced by the MG TF all-alloy style knob JFD000071 (although because of the different finish, replacement of all 3 may be preferable). Alternatively, one of our control knob sets (item 15) may be used instead.		
	MG TF		
	to VIN 5D639630	3	JFD000071
	Alloy, illuminated.		
	VIN 5D639631 on	3	JFD000060
	Alloy, illuminated.		



HEATER CONTROL KNOB SET MGF, ANODISED SILVER - RP1160A

HEATER CONTROL KNOB SET MG TF, POLISHED ALUMINIUM - RP1161S

15	CONTROL KNOB SET, heater: Accessory type set of 3 knobs, replacing all styles of original knob.		
	MGF		
	polished aluminium	1	RP1160S
	anodised silver	1	RP1160A
	MG TF		
	polished aluminium	1	RP1161S
	anodised silver	1	RP1161A



BEZEL KIT, HEATER CONTROL KNOBS - RP1668A

16A	HEATER BEZEL TRIM PANEL, heater control knobs: Brighten up your heater control area with this trim panel, in a range of finishes.		
	MG TF		
	chrome	1	JWK000230C
	polished aluminium	1	JWK000230A
	anodised silver	1	JWK000230S
16B	BEZEL KIT, heater control knobs: Brighten up your heater control with this set of 3 high quality accessory trim rings, in a range of finishes.		
	chrome	1	RP1668C
	polished aluminium	1	RP1668A
	anodised silver	1	RP1668S
17	GRAPHICS PLATE, heater control: MGF		
	to VIN XD511058	1	JFE100580
	For non-illuminated knobs.		
	VIN XD511059 on	1	JFE100740PMA
	For non-illuminated knobs.		
	VIN XD511059 on	1	JFE100750PMA
	For illuminated knobs.		
	MG TF	1	JFE000010PMA
	For illuminated knobs.		
18	BULB, heater panel illumination MGF from VIN XD511059 on, all MG TF models.	2	JWD10002
19	SWITCH, rotary, heater/fan control	1	YUK10011
20	CABLE, heater control, air distribution control	1	JFF100830
21	CABLE, heater control, temperature control	1	JFF100840
22	CLIP, control cable	2	JYC100660

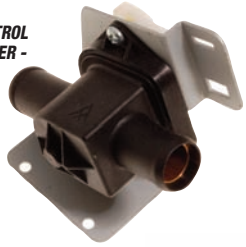
Heater Duct

23	AIR INTAKE BOX: MGF		
	to VIN WD23991	1	JKQ100130
	VIN WD23991 to YD531687	1	JKQ100180
	VIN YD531688 on	1	JKQ000010
	The air intake box used on MGFs up to VIN WD23991 may be replaced with the later JKQ100180 box, so long as 4 new DYP100850 fixing screws are also used.		
	MG TF		
	to VIN 3D612108	1	JKQ000010
	VIN 3D612109 on	1	JKA000120
24	SCREW, air intake box to body: MGF		
	to VIN WD23991	4	DEP1198
	VIN WD23991 on	4	DYP100850
	MG TF		
	to VIN 3D612108	4	DYP100850
	VIN 3D612109 on	4	WYG100430
25	AIR INTAKE DUCT	1	JKA100290
26	CLIP, air intake duct to heater	1	JQF100080
27	NUT, air intake duct to body	1	ADU7037
28	DEMISTER DUCT: MGF		
	up to VIN WD40289		
	Duct, straight	2	JKC100290
	Duct, elbow	2	JKC100520
	VIN WD23991 on	2	JKA106090
	MG TF	2	JKA106090

Heater Control Valve & Pipes

29	WATER CONTROL VALVE, heater	1	JJB100280
30	SCREW, control valve securing	2	BNP4200
31	HOSE, valve to underfloor pipes	1	JHB100450
32	HOSE, valve to heater	1	JHB100460
33	HOSE, heater to underfloor pipes	1	JHC100240
34	CLIP, heater hose	6	GHC608
35	UNDERFLOOR PIPES ASS'Y, heater: steel	1	PEP102231
	stainless steel	1	PEP102231SS
36	SCREW, underfloor pipes to body	3	FS106107

WATER CONTROL VALVE, HEATER - JJB100280



Anti-Freeze & Summer Coolant

MGF and MG TF engines use Organic Acid Technology (OAT) anti-freeze and summer coolant, which is orange/pink in colour. Only anti-freeze containing OAT corrosion inhibitors should be used to top up or refill the cooling system.

An anti-freeze concentration of 50% by volume (no greater than 60% by volume) is recommended; thus as the cooling system capacity from dry is 10.5 litres, 5.25 litres of anti-freeze is required.

- XPART LONG LIFE OAT:		
1 litre	A/R	XP1LL
5 litres	A/R	XP5LL
20 litres	A/R	XP20LL



XP1LL

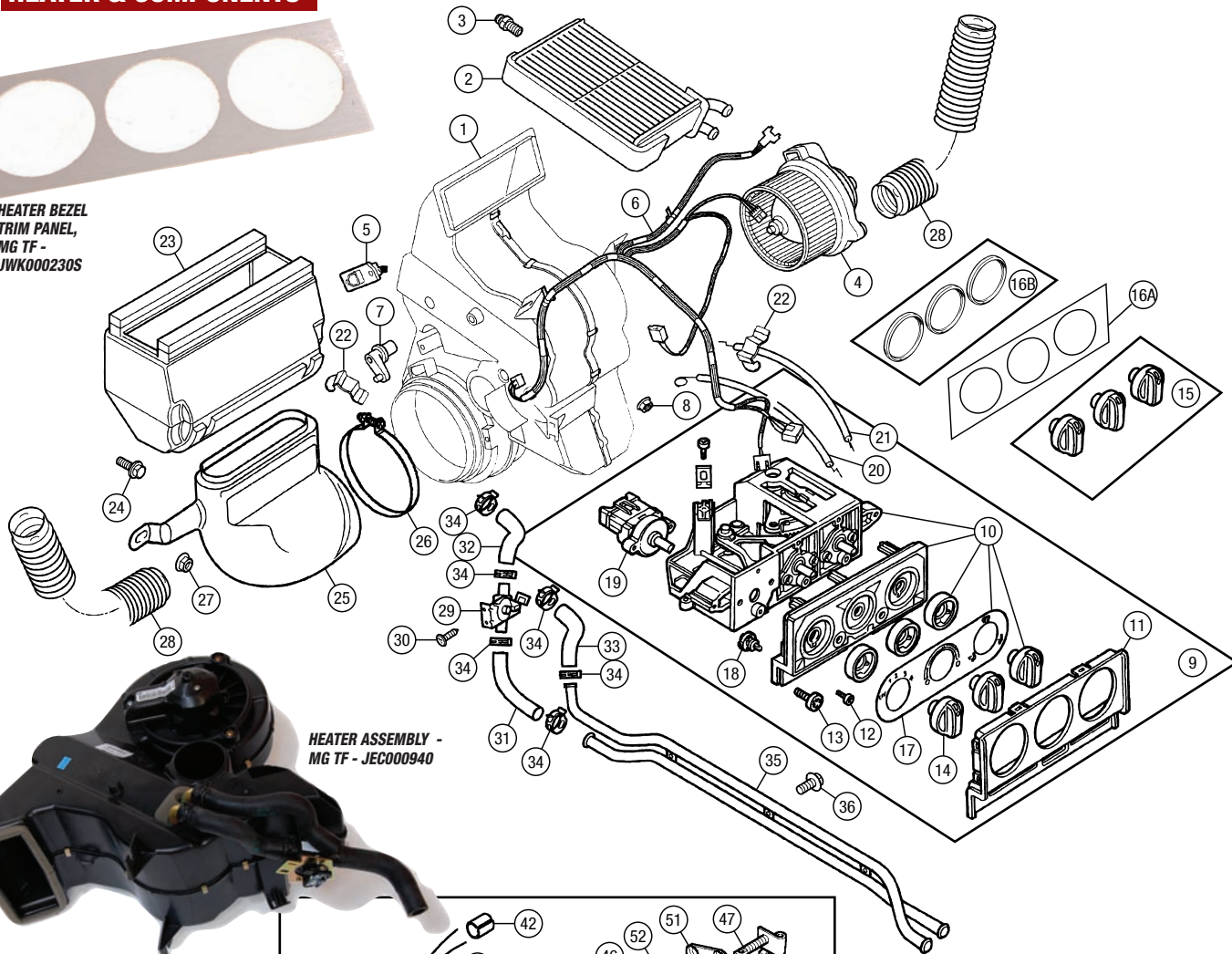
XPART LONGLIFE ANTI-FREEZE

XP5LL

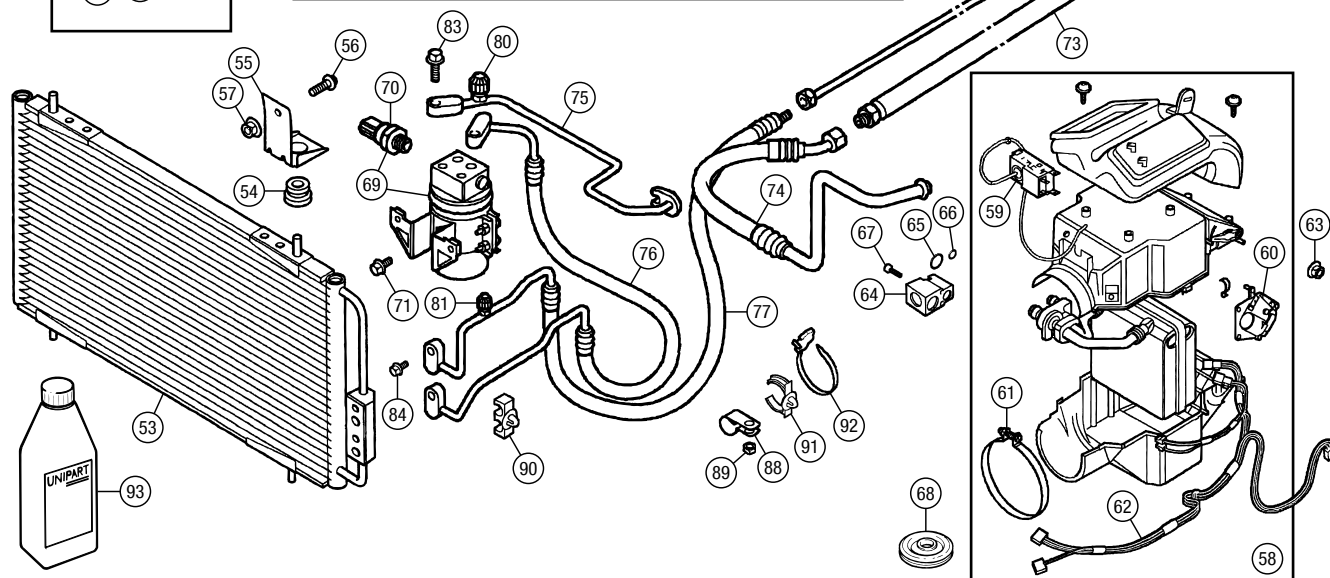
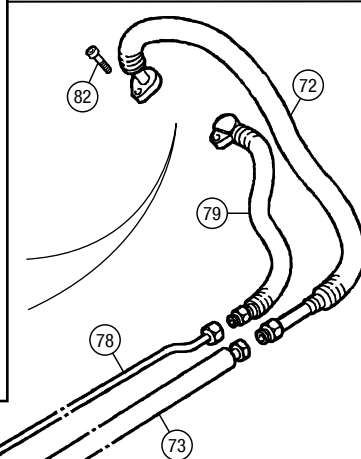
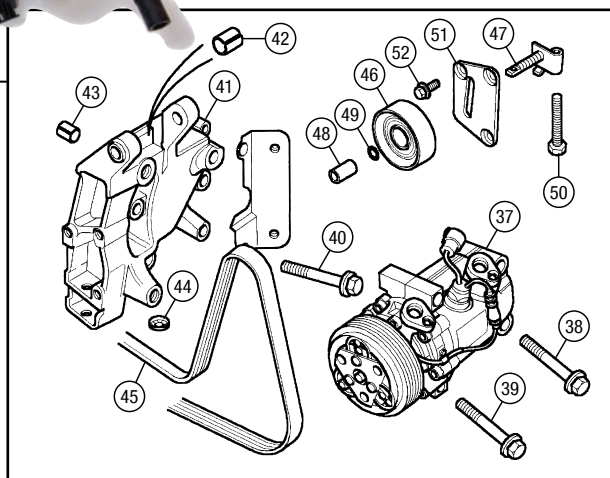
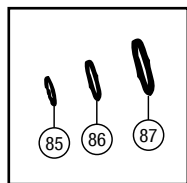
HEATER & COMPONENTS

HEATER BEZEL
TRIM PANEL,
MG TF -
JWK000230S

HEATER ASSEMBLY -
MG TF - JEC000940



AIR CONDITIONING COMPONENTS



ORDER

BY PHONE: 01522 568000 / ON LINE: www.rimmerbros.co.uk / E-MAIL: mgrover@rimmerbros.co.uk

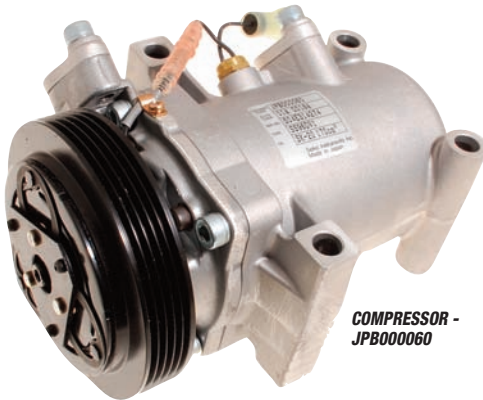


No.	DESCRIPTION	QTY REQ.	PART No.	No.	DESCRIPTION	QTY REQ.	PART No.	No.	DESCRIPTION	QTY REQ.	PART No.
-----	-------------	----------	----------	-----	-------------	----------	----------	-----	-------------	----------	----------

Air Conditioning Components

COMPRESSOR & MOUNTINGS

37	COMPRESSOR, air conditioning	1	JPB000060
38	BOLT, compressor mounting, long	2	FB110201
39	BOLT, compressor mounting, medium	1	FB110181
40	BOLT, compressor mounting, short	5	FB110161L
41	BRACKET, compressor mounting <i>Also holds alternator.</i>	1	JPD100580
42	SLIDE BUSH, alternator mounting	1	YKP100060
43	ROLL PIN, bracket locating	2	CDU1792
44	RETAINER, mounting bracket	1	BRC9037
45	DRIVEBELT, compressor/alternator	1	PQS101180
46	PULLEY, drivebelt tensioner	1	PQR10028
47	SPINDLE, tensioner pulley	1	PQL100070
48	NUT, pulley to spindle	1	WAM3719
49	WASHER, plain	1	GHF301
50	SCREW, spindle securing	1	PQF100040
51	PLATE, tensioner to bracket	1	PQE100130
52	SCREW, plate to bracket	3	FS108161



COMPRESSOR - JPB000060

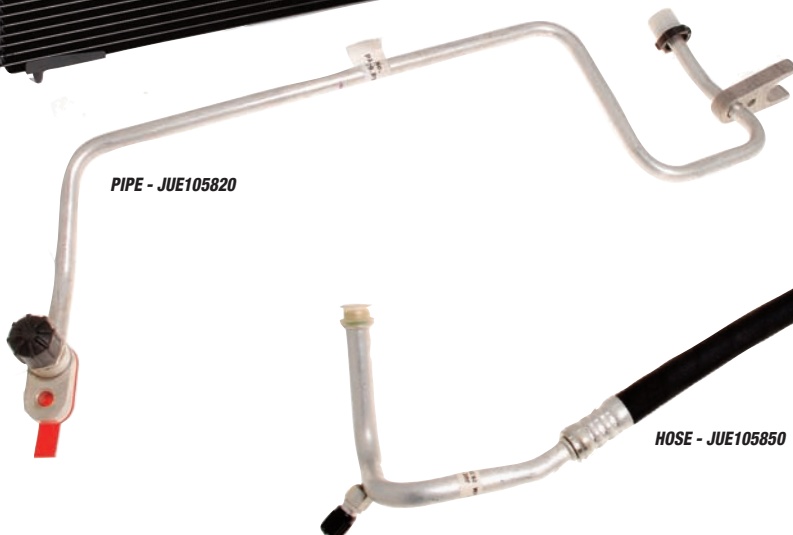
CONDENSER & MOUNTINGS

53	CONDENSER, air conditioning	1	JRB100450SLP
54	RUBBER MOUNTING, condenser	4	PCG000050
55	BRACKET, mounting, upper	2	JRF100400
56	SCREW, bracket to body	2	FS106125
57	NUT, bracket to body	2	FN106045

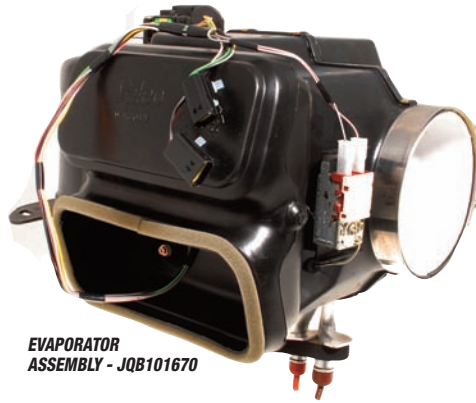


CONDENSER - JRB100450SLP

PIPE - JUE105820



HOSE - JUE105850



EVAPORATOR ASSEMBLY - JQB101670

EVAPORATOR & COMPONENTS

58	EVAPORATOR ASSEMBLY, air conditioning: <i>Includes items 59-62.</i>		
	MGF		
	RHD		
	up to VIN XD511058	1	JQB101090
	VIN XD511059 on	1	JQB101660
	LHD		
	up to VIN XD511058	1	JQB101100
	VIN XD511059 on	1	JQB101670
	MG TF		
	RHD	1	JQB101660
	LHD	1	JQB101670
59	THERMOSTAT, evaporator	1	JQL100040
60	MOTOR ASSEMBLY, blower:		
	RHD	1	JTM100020
	LHD	1	JTM100030
61	CLIP, evaporator to intake duct	1	JQF100080
62	WIRING HARNESS, fan:		
	MGF		
	to VIN XD511058	1	JGK100120
	VIN XD511059 on	1	JGK100250
	MG TF	1	JGK100250
63	NUT, evaporator to body	2	AFU1822
64	EXPANSION VALVE, evaporator	1	JQD100250
65	'O' RING, expansion valve, large	1	JYX100150
66	'O' RING, expansion valve, small	1	JYX100160
67	SCREW, valve to evaporator	1	FS106207
68	GROMMET, evaporator drain tube	1	JQG100050

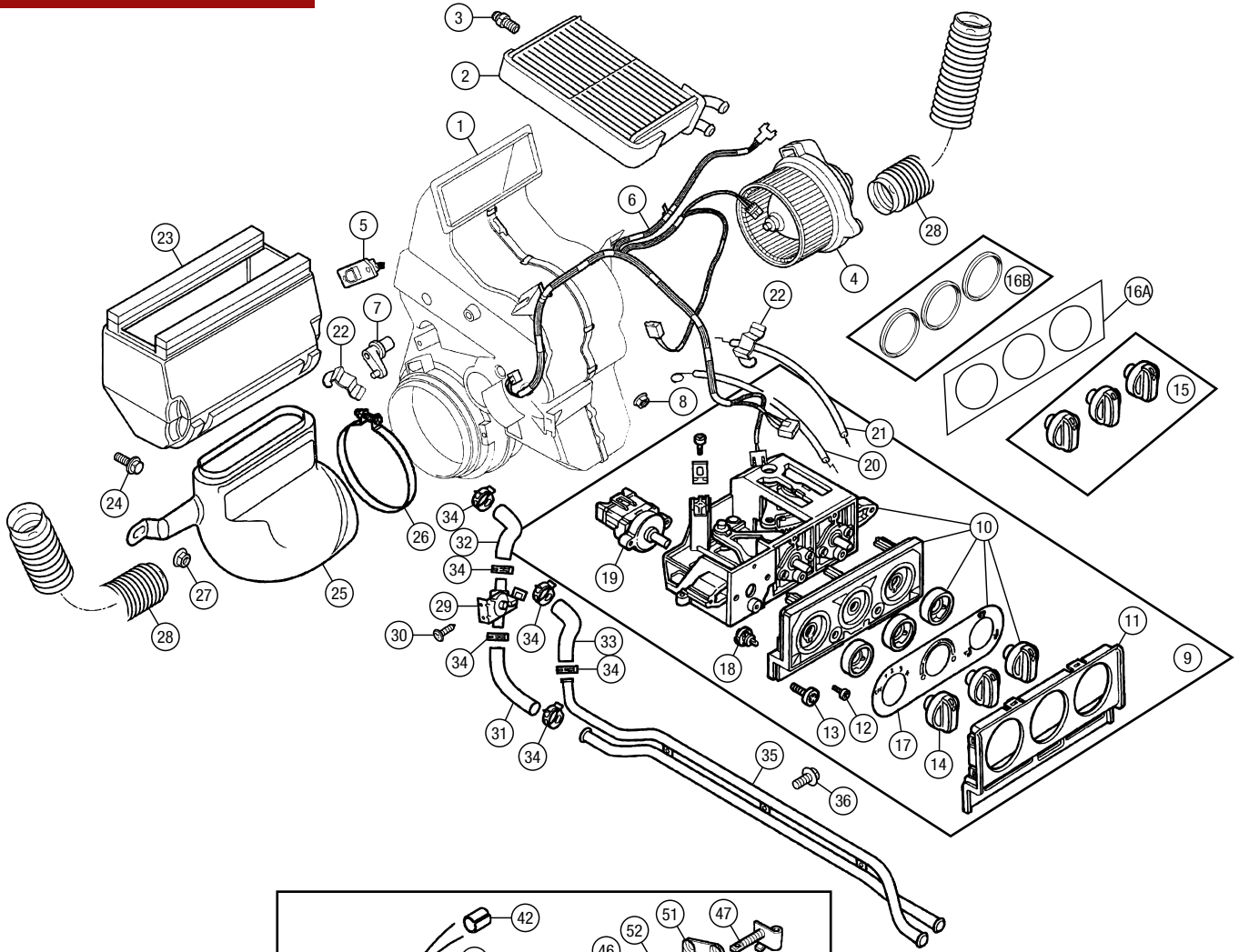
RECEIVER DRYER & HOSES

69	RECEIVER DRYER <i>(incl. switch)</i>	1	JRJ100260
70	TRI-PRESSURE SWITCH	1	JTB100220
71	SCREW, receiver dryer to body compressor hose	2	FS106105
72	HOSE, compressor to evaporator pipe: MGF		
	to VIN YD522314	1	JUF101730
	VIN YD522315 on	1	JUF102140
	VIN YD522315 on <i>(alternative)</i>	1	JUF000230
	MG TF	1	JUF000230
73	PIPE, compr. hose to evaporator	1	JUE105170
74	HOSE, compr. pipe to evaporator: RHD		
	manual	1	JUE105840
	manual <i>(alternative)</i>	1	JUE105841
	automatic	1	JUE000181
	LHD		
	manual	1	JUE105850
	automatic	1	JUE000191
75	PIPE, evaporator to receiver dryer: RHD	1	JUE105820
	LHD	1	JUE105830
76	HOSE, receiver dryer to condenser: RHD	1	JUE105800
	LHD	1	JUE105810
77	HOSE, condenser to compr. pipe	1	JUE000720
78	PIPE, compressor	1	JUE105510
79	HOSE, pipe to compressor: MGF		
	to VIN YD522314	1	JUF101740
	VIN YD522315 on	1	JUF000220
	MG TF	1	JUF000220
80	CAP & SEAL, system charge valve, large (discharge) <i>(incl. in 75)</i>	1	JUS100100
81	CAP & SEAL, system charge valve, small (charge) <i>(incl. in 77)</i>	1	JUS100110
82	SCREW, Hoses to compressor	2	JYG100510
83	SCREW, Pipe/hose to receiver dryer	2	FS106207
84	SCREW, Pipe/hose to condenser	2	FS106207
85	'O' RING, air conditioning hoses/pipes, 7mm	A/R	JUU000070SLP
86	'O' RING, air conditioning hoses/pipes, 9mm	A/R	JUU000060
87	'O' RING, air conditioning hoses/pipes, 14mm	A/R	JUU100240
88	'P' CLIP: condenser hose	1	JYC100470
	underfloor compressor pipe	1	JYC100480
	pipe to body		
	to VIN 5D638456	1	JYC100590
	VIN 5D638457 on	1	JUP100300
89	NUT, 'P' clip to body	1	AFU2796
90	CLIP, condenser hoses to body	1	SYC100490
91	CLIP, receiver dryer hose to body	1	DBP4290
92	TIE WRAP, underfloor pipes	3	YQR100750
93	REFRIGERANT, R134A (250cc nett) A/R	A/R	JMF000020

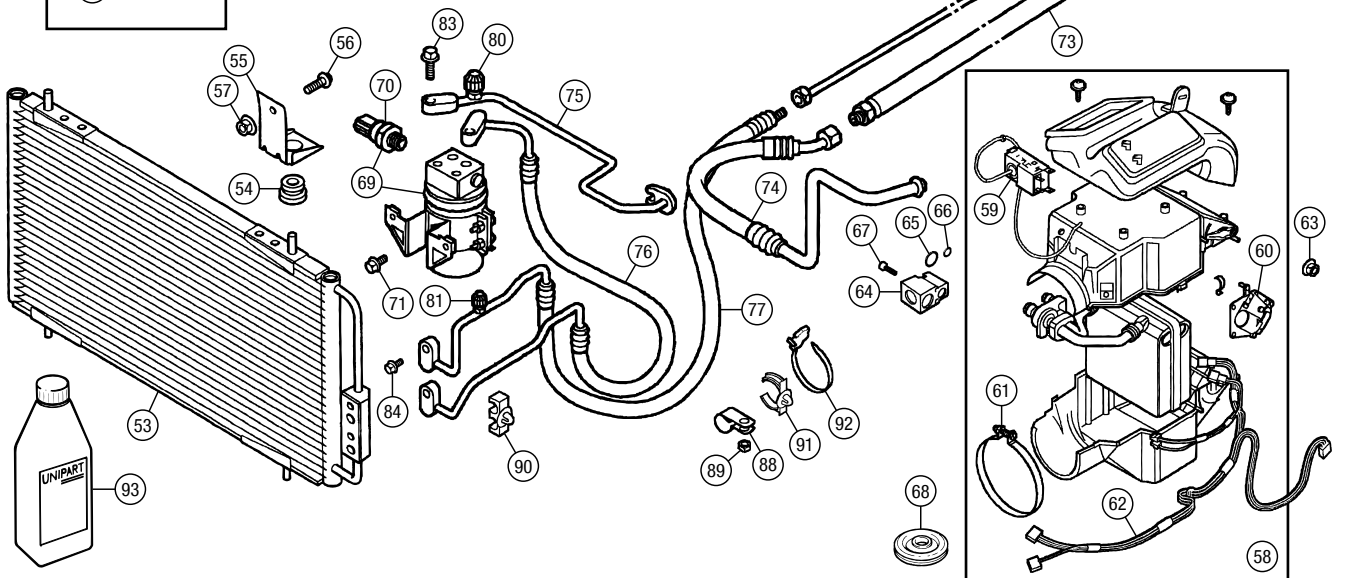
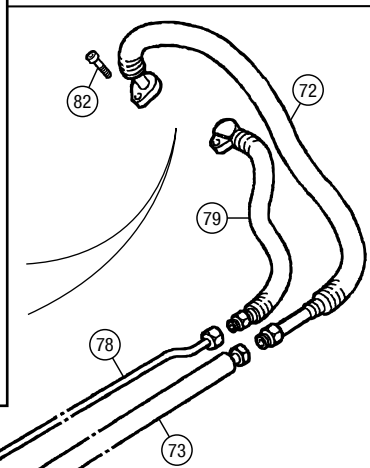
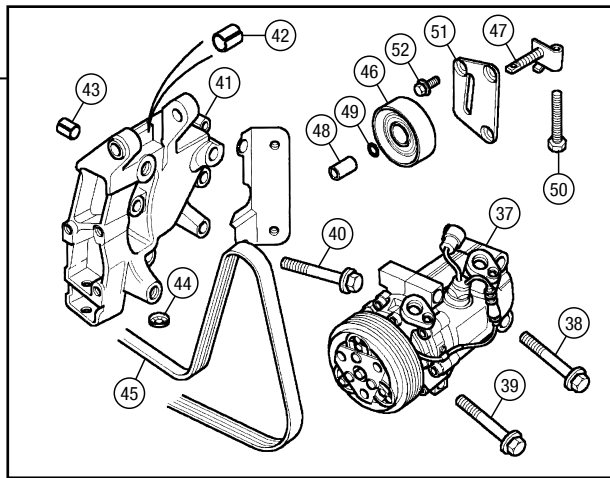
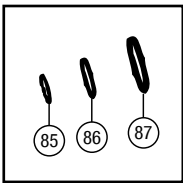


TRI-PRESSURE SWITCH - JTB100220

HEATER & COMPONENTS



AIR CONDITIONING COMPONENTS



ORDER

BY PHONE: 01522 568000 / ON LINE: www.rimmerbros.co.uk / E-MAIL: mgrover@rimmerbros.co.uk



No. DESCRIPTION QTY REQ. PART No.

Inlet Manifold - 1.6 & 1.8 NON-VVC

PLASTIC ONE-PIECE MANIFOLD

- 1 INLET MANIFOLD: up to VIN YD522572 (to 2000) 1 LKB107561 VIN YD522573 on (2000 on) 1 LKB109291
2 GASKET, inlet manifold 1 LKJ101110
3 INSERT, manifold, press-in 1 LZN100220
4 STUD, manifold to head: up to VIN YD522572 (to 2000) 3 TE108065M VIN YD522573 on (2000 on) 7 TE108065M
5 NUT, manifold to head: up to VIN YD522572 (to 2000) 3 FN108041 VIN YD522573 on (2000 on) 7 FX108047
6 BOLT, manifold to head 4 FB108065 Up to VIN YD522572 (to 2000)
- AIT SENSOR, copper washer 1 LKG100360

Inlet Manifold - 1.8 VVC

ALLOY TWO-PIECE MANIFOLD

Note that this manifold has also been found (on a very few rare occasions) fitted to non-VVC engines. This was not documented by the factory.

- 7 INLET MANIFOLD, upper: MGF (with VVC logo) 1 LKB107060 MG TF (without logo) 1 LKB000281
8 INLET MANIFOLD, lower: MGF 1 LKB107030 MG TF 1 LKB107031
9 GASKET, inlet manifold, upper to lower manifold 1 LKJ100860
10 GASKET, inlet manifold, lower manifold to head 1 LKJ100821
11 INSERT, manifold, press-in 1 LZN100220
12 SCREW, upper to lower manifold 5 FS108305L
13 STUD, manifold to head 2 TE108051
14 NUT, manifold to head 2 FN108041
15 SCREW, manifold to head 7 FS108256
16 STRUT, manifold support 1 LKF100640
17 SCREW, strut to manifold 1 FS108161
18 BOLT, strut to engine 1 FB110101

Air Filter

- 19 AIR FILTER ELEMENT: up to VIN YD522572 (to 2000) standard 1 PHE100421 K&N 1 PHE100421K-N Replaces standard air filter element. VIN YD522573 on (2000 on) standard 1 PHE100540



K&N AIR FILTER ELEMENT - PHE100421K-N

20 AIR CLEANER ASSEMBLY:

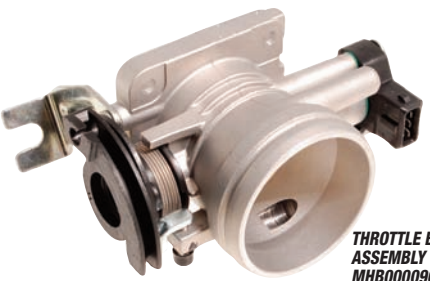
- Includes air box & element. MGF (not Trophy) to VIN YD522572 (to 2000) 1 PHB102040 VIN YD522573 on (2000 on) 1 PHB103000 MGF Trophy, MG TF 1 PHB000230 Dual mode vacuum induction type. K&N 57i INDUCTION KIT: Replaces standard air cleaner assembly. Increases power and torque by up to 10%. See photo below. MGF (not Trophy) 1 RP1026 MGF Trophy, MG TF 1 RP1027



K&N 57i INDUCTION KIT - RP1026

No. DESCRIPTION QTY REQ. PART No.

- 21 DUCT, air cleaner to throttle body: MGF (not Trophy) 1 PHD103020 MGF Trophy 1 PHD000380 MG TF 1 PHD103020
22 CLIP, air cleaner duct, air cleaner end 1 CN100709
23 CLIP, air cleaner duct, throttle body end 1 PYC101790
24 BRACKET, air cleaner: Includes mounting rubbers and grommet. MGF (not Trophy) to VIN YD522572 (to 2000) 1 PHU102240 VIN YD522573 on (2000 on) 1 PHU103060 MGF Trophy, MG TF 1 PHU000170
25 GROMMET, bracket 1 PYA10008L
26 MOUNTING, rubber 2 WAM4165
27 INSERT, mounting rubber 1 WAM4166
28 SCREW, mounting (long) 1 FS106165E
29 SCREW, bracket fixing (short) 3 FS106125
30 SNAP FIXING, mounting 1 PYC101430



THROTTLE BODY ASSEMBLY - MHB000090

Throttle Body & Sensors - Fuel System

51 THROTTLE BODY ASSEMBLY, alloy body type: Alloy body types replace all previous plastic bodied versions. MHB000261 is a 52mm dia. high performance unit which may be used as an upgrade on all engines usually fitted with the standard 48mm dia. throttle bodies.

- not VVC MGF to VIN YD522572 (48mm) 1 MHB000090 MGF VIN YD522573 on (48mm) 1 MHB000080 MG TF (not 135) (48mm) 1 MHB000080 MG TF 135 (52mm) 1 MHB000261

- VVC MGF VVC to VIN YD522572 48mm. 1 MHB000090 MGF Trophy, MG TF 160 52mm. 1 MHB000261



THROTTLE POTENTIOMETER - SLD100080

- 52 THROTTLE POTENTIOMETER 1 SLD100080 Included in throttle body.
53 SCREW, throttle body to manifold 4 4378449
54 STEPPER MOTOR ONLY: up to VIN YD522572 (5 wires) 1 MDQ100040 VIN YD522573 on (4 wires) 1 MDQ100170 STEPPER MOTOR INCLUDING HOUSING: up to VIN YD522572 (5 wires) 1 MLZ100050L VIN YD522573 on (4 wires) 1 MLZ100090
55 SCREW, motor to housing 2 JZX6187L 5 wire stepper motor only.
56 SCREW, stepper motor securing: up to VIN YD522572 4 MYP100340 VIN YD522573 on 4 MYP100610
57 HOSE, throttle body to stepper motor: up to VIN YD522572 1 MAH100840 VIN YD522573 on 1 MAH101070
58 O RING KIT, throttle body 1 MKG100250

Resonator - Induction System

- 31 RESONATOR (MGF only) 1 PHV100490
32 SCREW, resonator securing 2 FS106205
33 WASHER, plain 2 WJ106005
34 MOUNTING RUBBER 2 WAM4165
35 INSERT, rubber mounting 2 WAM4166
36 DUCT, resonator: MGF (not Trophy) 1 PHD103010 MGF Trophy 1 PHD000650
37 CLIP, duct to resonator 1 CN100708A
38 STRAP, duct securing: MGF to VIN YD522572 2 PJF100050 MGF from VIN YD522573 on 3 PJF100050
39 FASTENER, duct strap: MGF to VIN YD522572 2 PJF100060 MGF from VIN YD522573 on 3 PJF100060

Fuel Rail, Pipes & Injectors

- 40 FUEL RAIL ONLY 1 MJN10032 FUEL RAIL, inc. regulator 1 MJN100470
41 PRESSURE REGULATOR: standard 1 MKW10016 uprated, adjustable 1 RP1031 Adjustable power boost valve, providing improved throttle response, removal of flat spots, better acceleration and improved overall engine performance through its ability to quickly restore fuel rail pressure during periods of heavy demand.



UPRATED PRESSURE REGULATOR - RP1031

- 42 CLIP, pressure regulator 1 MHN100110
43 O RING, pressure regulator 1 MYX100130
44 O RING, fuel rail 1 MYX100140
45 BOLT, fuel rail mounting 2 FB106065L
46 HOSE, regulator vacuum 1 MHH100280
47 CLIP, hose 1 MYC100230L
48 SPACER, fuel rail to injectors From VIN YD522573 on, except VVC 1 MGC100060
49 INJECTOR, fuel: 1.6 4 MJY100640 1.8 non-VVC up to VIN YD522572 4 MJY100430 from VIN YD522573 on 4 MJY100640 1.8 VVC up to VIN YD522572 4 MJY100430 from VIN YD522573 on 4 MJY100580
50 CLIP, fuel injector: up to VIN YD522572 4 MHN10004L from VIN YD522573 on 4 MHN100140

Accelerator Cable

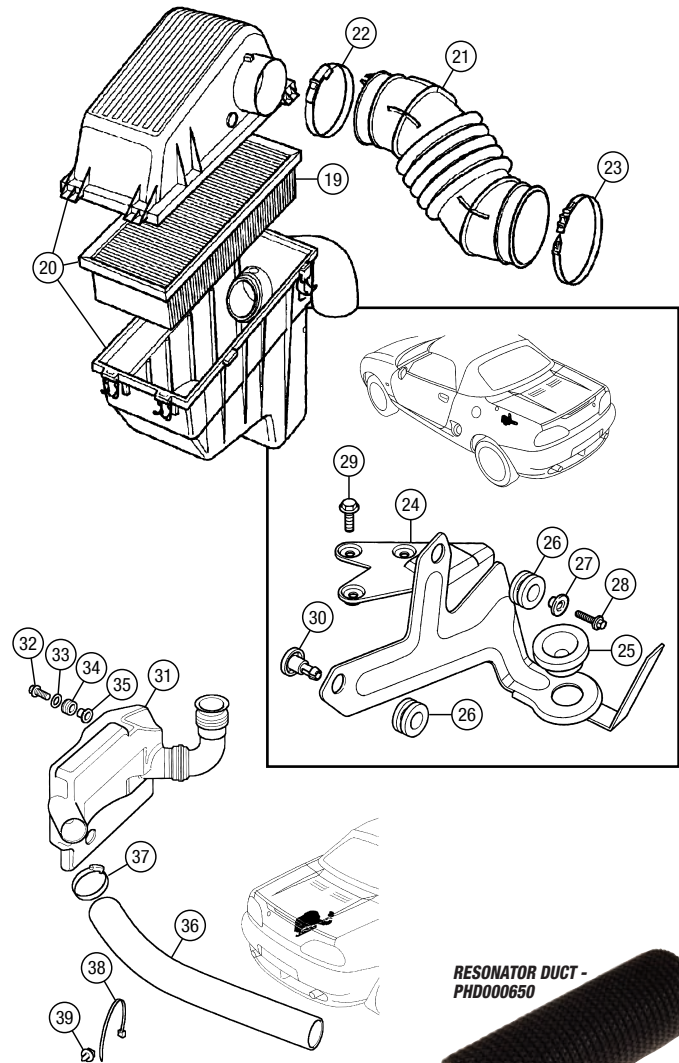
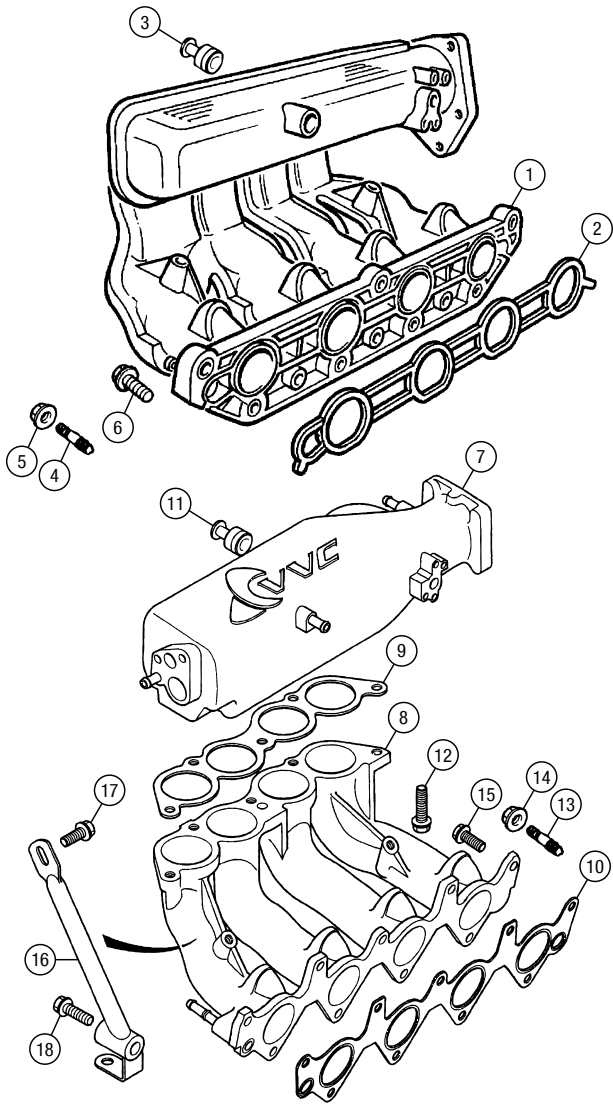
- 59 ACCELERATOR CABLE: RHD 1 SBB000280 LHD 1 SBB000290
60 CLIP, cable to pedal 1 153041
61 CLIP, cable to manifold bracket 1 SYC100440L
62 CLIP, cable to body: Also secures bonnet cable. RHD 1 SYC100600 LHD 6 SYC100600
63 ABUTMENT BRACKET, manifold 1 SBU100610
64 SCREW, bracket to manifold 1 FS106125

Accelerator Pedal

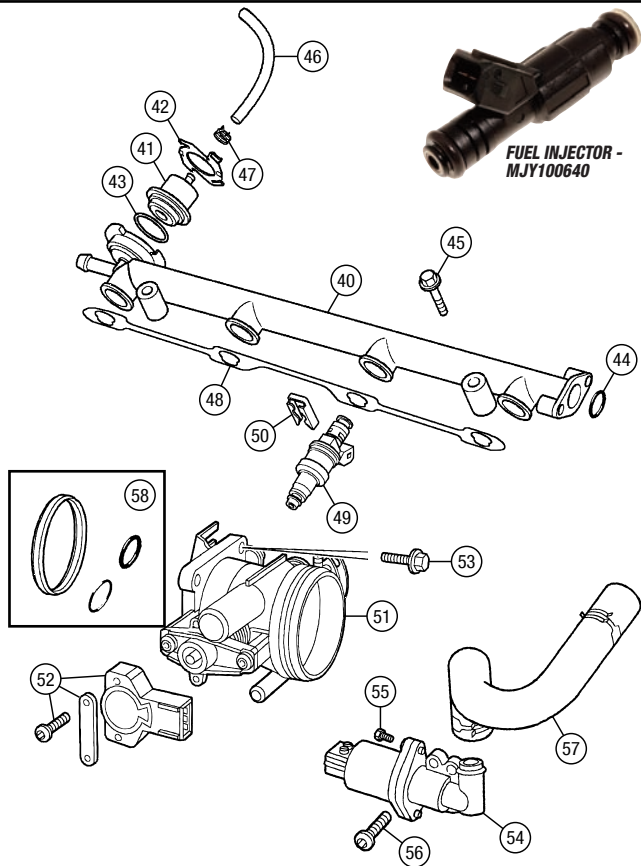
- 65 ACCELERATOR PEDAL & BRACKET ASSEMBLY: RHD 1 SAB101162PMP LHD 1 SAB101172PMP
66 BUFFER, pedal stop (incl. in ass'y) 1 DCP3214
67 SCREW, pedal ass'y to body 2 FS108161
68 NUT, for screw 2 FN108041
69 BOLT, pedal ass'y to body 1 FB108127L
70 NUT, pedal ass'y to stud on body 2 FN106047



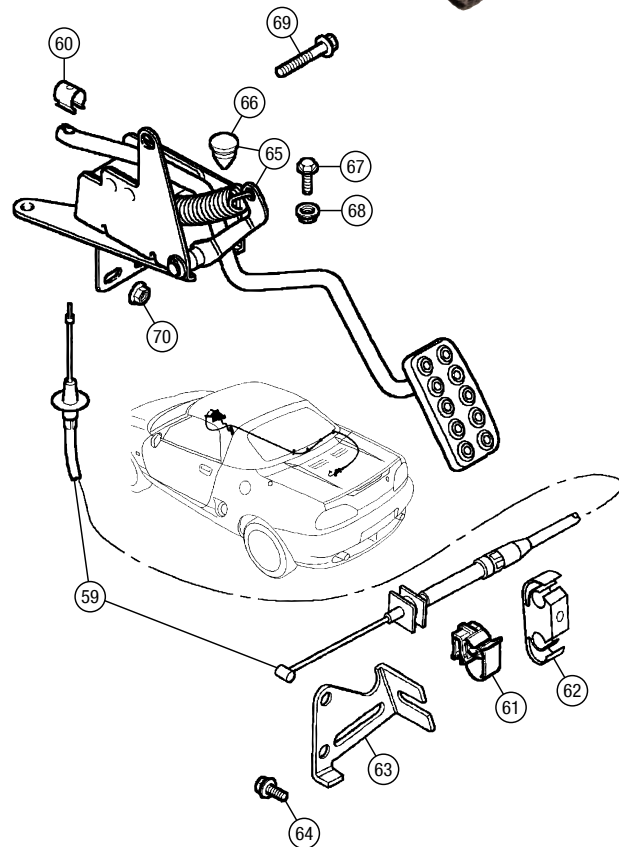
FUEL - INDUCTION & ENGINE CONTROLS



RESONATOR DUCT - PHD000650



FUEL INJECTOR - MJY100640





FUEL - FUEL & EMISSIONS SYSTEMS

No. DESCRIPTION QTY REQ. PART No.

Fuel Filter

1	FUEL FILTER	1	WJN101192
2	BRACKET, fuel filter mounting	1	WJU000041
3	INSULATOR, mounting bracket	2	WJG000020
4	COLLAR, insulator	2	WKY000010
5	SCREW, mounting bracket	2	FS106167
6	WASHER, plain	2	WA106042
7	NUT	2	FN106047
8	BRACKET, fuel filter steady	1	WJU000040
9	ADAPTOR PIPE, filter to fuel pipe: up to VIN YD522572 (to 2000)	1	WKB100281
	VIN YD522573 on (2000 on)	1	WKB100341



FUEL FILTER - WJN101192

Fuel Pipes

10	HOSE ASS'Y, filter to fuel rail: up to VIN XD511058 (to '99)	1	WJH103690
	VIN XD511059 on ('99 on)	1	WJH105210
11	SCREW, hose to fuel rail	2	MYP100300
12	O RING, hose to fuel rail	1	MYX100140
13	PIPE ASS'Y, fuel return from regulator: non-VVC		
	up to VIN XD511058 (to '99)	1	WJP104850
	VIN XD511059 on ('99 on)	1	WJP108190
	VVC		
	up to VIN XD511058 (to '99)	1	WJP105170
	VIN XD511059 on ('99 on)	1	WJP108200
14	RETURN HOSE, regulator end	1	WJH103230
	Incl. in return pipe ass'y; up to VIN XD511058 only.		
15	RETURN HOSE, underbonnet pipes ass'y end	1	WJH10132
	Incl. in return pipe ass'y; up to VIN XD511058 only.		
16	CLIP, return hose	3	WJE000020
17	SCREW, return pipes ass'y securing: non-VVC	2	MYP100300
	VVC	2	FS106127P
18	UNDERBONNET PIPES ASS'Y: MGF		
	to VIN YD522572 (to 2000)	1	WJP105370
	VIN YD522573 on (2000 on)	1	WJP108170
	MG TF	1	WJP108171
19	FUEL HOSE (incl. in MGF pipes ass'y)	1	WJH103480
20	CLIP, hose (incl. in MGF pipes ass'y)	2	WJE100380
21	HOSE ASS'Y, incl. in MGF pipes ass'y; up to VIN YD522572	1	WJH103780
	VIN YD522573 on	1	WJH103781
22	CLIP, hose ass'y incl. in MGF pipes ass'y;	1	WJM10006
23	CLIP, pipes, triple incl. in MGF pipes ass'y;	2	WJC100590
24	CLIP, pipes, double incl. in MGF pipes ass'y;	1	EDP9198
25	Ferrule, clip (incl. in MGF pipes ass'y)	1	WJG10013
26	Nut, double clip securing	1	FN106047

No. DESCRIPTION QTY REQ. PART No.

Fuel Tank & Pump

27	FUEL TANK & PUMP KIT: <i>These kits include the later tank and corresponding pump fittings to suit.</i>		
	up to VIN YD522572	1	RP1709A
	VIN YD522573 to 4D634733	1	RP1709B
	VIN 4D634734 on	1	RP1709C
	2007 on (Nanjing TF)	1	RP1709D
28	FUEL TANK, less pump MG TF from VIN 4D634734 on	1	WFE000081
29	STRAP, fuel tank retaining, RH	1	WFS100201
30	STRAP, fuel tank retaining, LH	1	WFS100211
31	SEAL, tank to bulkhead	1	WGQ100040
32	VENT PIPE (VIN YD522573 on)	1	WFP000120
33	FUEL FILLER PIPE: restricted neck (not Japan) to VIN WD32777	1	WLP102730
	VIN WD32778 to YD522572	1	WLP103170
	VIN YD522573 on (2000 on)	1	WLP103422
	unrestricted neck (Japan only) to VIN WD32777	1	WLP102720
	VIN WD32778 to YD522572	1	WLP103180
	VIN YD522573 on (2000 on)	1	WLP103432
34	SCREW, filler pipe securing	2	FS105165
35	SEATING, filler neck	1	WLX100050
36	FUEL FILLER CAP: with non-specific key number to VIN YD522572 (to 2000)	1	WLD100490NLB
	VIN YD522573 on (2000 on)	1	WLD100710



FUEL FILLER CAP - WLD100490

37	HOSE, fuel filler: up to VIN WD32777 (to '98)	1	CRC9287
	VIN WD32778 on ('98 on)	1	WLH100531
38	CLIP, filler hose	2	CN100608
39	HEAT SLEEVE, filler hose	1	WKR100030
40	NUT, heat sleeve attaching	5	CYH10001L
41A	FUEL PUMP ASSEMBLY: <i>In-tank, includes fuel level sender unit.</i>		
	up to VIN YD522572 (to 2000)	1	WFX100670
	VIN YD522573 to 4D634733	1	WFX101320
	VIN 4D634734 on ('04 on)	1	WFX101321
41B	FUEL PUMP ONLY: <i>Includes new pump and fittings to overhaul existing assembly.</i>		
	up to VIN YD522572 (to 2000)	1	WFX100670PPUMP
	VIN YD522573 to 4D634733	1	WFX101320PPUMP
	VIN 4D634734 on ('04 on)	1	WFX101321PPUMP
42	SEAL, fuel pump to tank: up to VIN YD522572 (to 2000)	1	NTC5859
	VIN YD522573 on (2000 on)	1	ESR3806
43	LOCKING RING, fuel pump: up to VIN YD522572 (to 2000)	1	NTC5858
	VIN YD522573 on (2000 on)	1	ESR3808
44	INERTIA SWITCH, fuel pump	1	WQT100030
45	SCREW, inertia switch attaching	2	WYP10007

No. DESCRIPTION QTY REQ. PART No.

Charcoal Canister

46	CHARCOAL CANISTER ASS'Y	1	WTB101031
47	CHARCOAL CANISTER (incl. in ass'y)	1	WTB101030
48	BRACKET, cannister (incl. in ass'y)	1	WTD10020
49	VALVE, 2-way	1	WLW10009
50	CLIP, hose	2	UKC3803L
51	SCREW, cannister to bracket	1	FS106165E

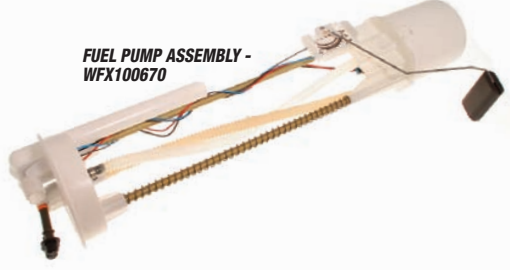
Engine Breather Hoses

52	HOSE, breather, cam cover to inlet manifold: early 1.8 manual	1	LLH102210A
	1.8 manual non-VVC up to eng. nos. J31 590354 & J32 568017, 1.8 VVC up to eng. no. J89 587410.		
	late 1.8 manual & 1.6	1	LLH102380
	1.8 manual non-VVC from eng. nos. J31 590355 on & J32 568018 on, 1.8 VVC from eng. no. J89 587411 on, all 1.8 VVC J90 eng. nos., all 1.6.		
	1.8 automatic	1	LLH102210A
53	HOSE, breather, cam cover to throttle body: early 1.8 manual	1	LLH102280
	1.8 manual non-VVC up to eng. nos. J31 590354 & J32 568017, 1.8 VVC up to eng. no. J89 587410.		
	late 1.8 manual & 1.6	1	LLH102390
	1.8 manual non-VVC from eng. nos. J31 590355 on & J32 568018 on, 1.8 VVC from eng. no. J89 587411 on, all 1.8 VVC J90 eng. nos., all 1.6.		
	1.8 automatic	1	LLH102801
54	CLIP, manifold breather hose non-VVC	1	UKC3798
	VVC	2	UKC3798
55	CLIP, throttle body breather hose	2	LYC10005L

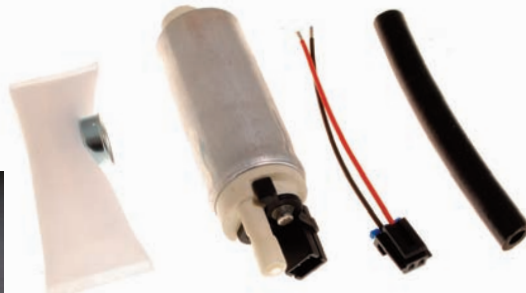
Dual Mode Vacuum System

MGF Trophy, MG TF

56	HOSE ASS'Y, dual mode: MGF Trophy	1	WAH000190
	MG TF	1	WAH000270
57	VACUUM SOLENOID, air intake	1	YDJ100000A
58	VACUUM RESERVOIR, air intake	1	WID000030
59	HOSE, dual mode, tee piece to servo	1	WAH000220
60	HOSE, dual mode, reservoir to solenoid	1	WAH000210
61	HOSE, dual mode, vacuum induction	1	WAH000240
62	CLIP, reservoir	1	WYC000310
63	CLIP, dual mode hoses	1	WYC000390



FUEL PUMP ASSEMBLY - WFX100670



FUEL PUMP ONLY - WFX100670PPUMP

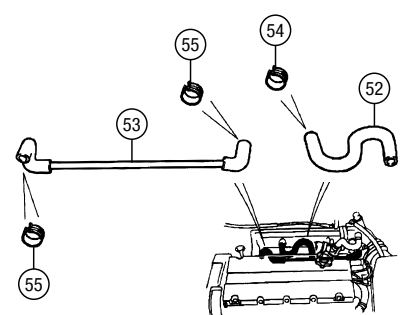
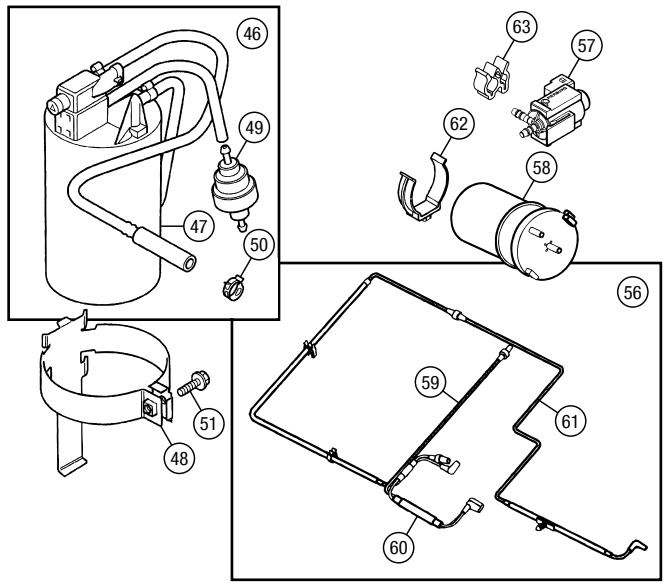
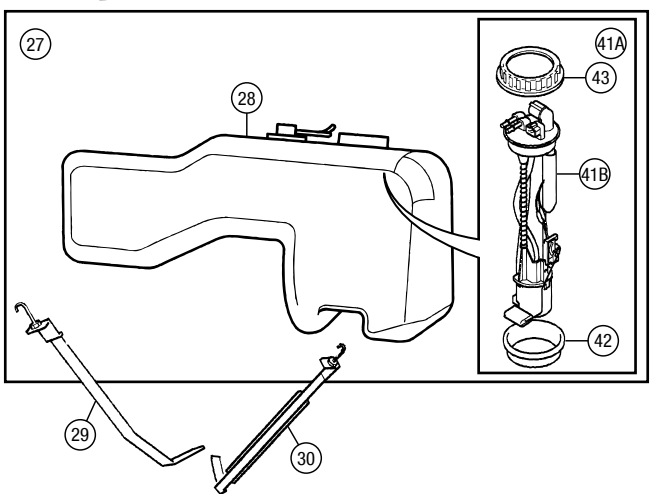
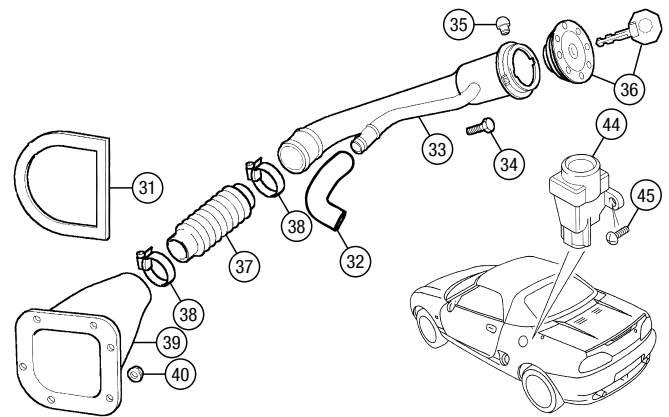
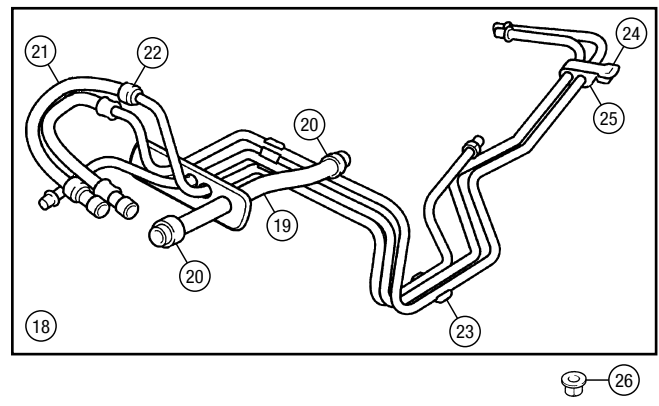
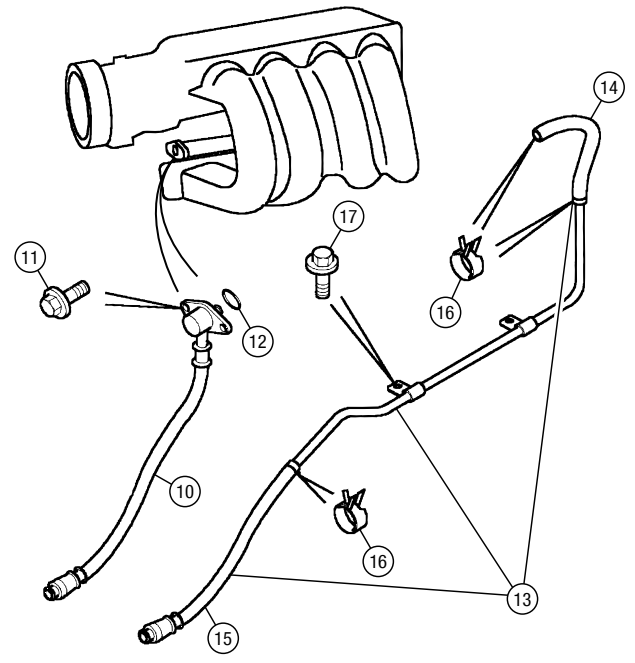
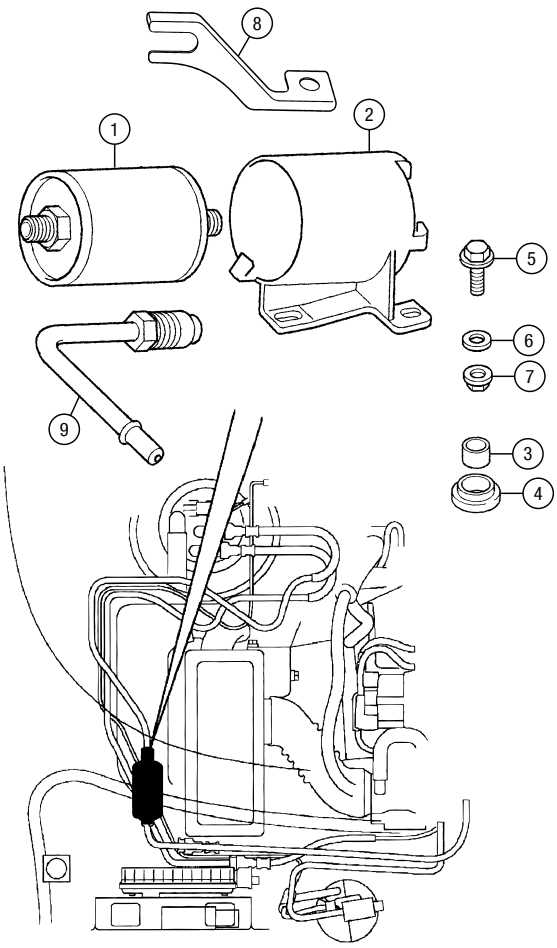


INERTIA SWITCH - WQT100030



PHOTO COURTESY OF ROB HAWKINS

ORDER BY PHONE: 01522 568000 / ON LINE: www.rimmerbros.co.uk / E-MAIL: mgrover@rimmerbros.co.uk





No. DESCRIPTION QTY REQ. PART No.

Exhaust Manifold - Standard (Mild Steel)

MGF UP TO VIN YD522572 to 2000; with 4 downpipe studs

1	EXHAUST MANIFOLD (4 stud type)	1	LKC10200
2	STUD, manifold to downpipe <i>Included in manifold.</i>	4	TE110051
3	GASKET, manifold to head	1	LKG100300
4	LOCKNUT, manifold to head	5	ERR597

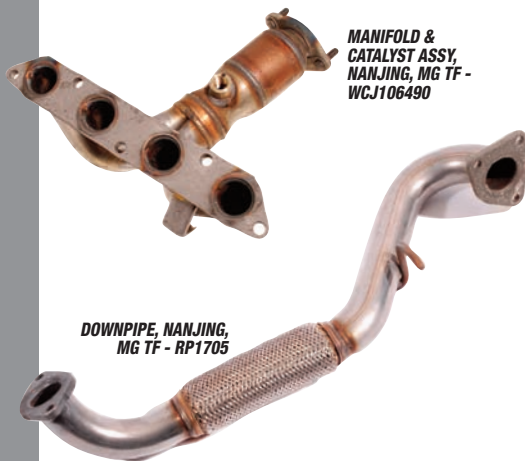
MGF FROM VIN YD522573 ON, MG TF 2000 on; with 6 downpipe studs

5	EXHAUST MANIFOLD (6 stud type)	1	LKC103240
6	SPRING NUT, manifold <i>Included in manifold.</i>	2	AK614017
7	GASKET, manifold to head	1	LKG100300
8	LOCKNUT, manifold to head	5	ERR597

MG TF 2009 ON (NANJING)
VIN numbers are undocumented.

-	EXHAUST MANIFOLD & CATALYST ASSY (2 stud type)	1	WCJ106490
-	DOWNPIPE, manifold to link pipe 2 stud inlet, 3 stud outlet.	1	RP1705
-	LINKPIPE, downpipe to silencer 3 stud inlet & outlet. See item 42.	1	RP1563
-	GASKET, manifold to downpipe 2 stud.	1	WCM100590
-	GASKET, downpipe to link pipe 3 stud.	1	WCM100480

PLEASE NOTE: for rear silencer and other fittings, refer to MG TF exhaust components.



MANIFOLD & CATALYST ASSY, NANJING, MG TF - WCJ106490

DOWNPIPE, NANJING, MG TF - RP1705

Exhaust - Standard System MGF to 2000 (to VIN YD522572)

4 stud downpipe/elbow on silencer

9	DOWNPIPE (All models to YD522572): manual/auto (4 stud fixing)		
	original MG Rover	1	WCD106001
	aftermarket	1	WCD106001P
	stainless steel	1	WCD106001SS
10	CATALYTIC CONVERTER (All models to YD522572): original MG Rover	1	WAG103651
	aftermarket	1	WAG103651P
	sports (free flowing - Stainless Steel)	1	WAG103651SPORT
11	REAR SILENCER/TAILPIPES (All models to YD522572): Oval tailpipes		
	original MG Rover	1	WCE103450
	aftermarket	1	WCE103450P
	stainless steel (standard)	1	WCE103450SS
	See also sport version (item 43).		
12	GASKET, manifold to downpipe	1	WCM10009
13	NUT, manifold to downpipe	4	ESR2034
14	MOUNTING RUBBER, downpipe	1	DBP7104
15	GASKET, catalytic converter flange	2	WCM100480
16	NUT, catalytic converter flange	6	ESR2034
17	BRACKET, around rear silencer	1	WCU100871
18	BRACKET, rear silencer hanger	1	WCU100761
19	NUT, hanger to rear silencer	2	FN108041
20	MOUNTING RUBBER, rear silencer	2	WCS100090
21	BRACKET, mounting rubber	2	WDB100040
22	SCREW, bracket to body	4	FS108357P
23	FINISHER TRIM ONLY, oval (each) Clamp on. Fits over existing oval tailpipe.	2	DUB100620

No. DESCRIPTION QTY REQ. PART No.

Exhaust - Standard System MGF/MG TF 2000 on (YD522573 on)

6 stud downpipe/elbow on catalytic converter

24	DOWNPIPE (All models YD522573 on): manual/auto (6 stud fixing)		
	original MG Rover	1	WCD106091
	aftermarket	1	WCD106091P
	stainless steel	1	WCD106091SS
25	CATALYTIC CONVERTER (All models YD522573 on): original MG Rover	1	WAG000671
	aftermarket	1	WAG000671P
	sports (free flowing - Stainless Steel)	1	WAG000671SPORT
26	REAR SILENCER/TAILPIPES: MGF (not Trophy) VIN 522573 to 600100. aftermarket (oval tailpipes)	1	WCG103100P
	stainless steel (round tailpipes) standard	1	WCG000550SS
	See also sports version (item 43).		
	MGF Trophy non vacuum valve type (Oval tail pipes. To VIN 530688) Elbow is on front of silencer and not catalytic.		
	original MG Rover	1	WCE103450
	aftermarket	1	WCE103450P
	stainless steel, standard	1	WCE103450SS
	See also sports version (item 43).		
	vacuum valve type (Round tail pipes. VIN 530689 on) Elbow is on catalytic and not silencer.		
	original MG Rover	1	WCG000550
	aftermarket	1	WCG000550P
	stainless steel, standard	1	WCG000550SS
	See also sports version (item 43).		
	MG TF/TF160 (Round tail pipes. Vin 600101 on)		
	original MG Rover	1	WCG000550
	aftermarket	1	WCG000550P
	stainless steel, standard	1	WCG000550SS
	See also sports version (item 43).		
27	GASKET, manifold to downpipe	1	WCM100600
28	NUT, manifold to downpipe	6	ESR2034
29	MOUNTING RUBBER, downpipe	1	DBP7104
30	GASKET, catalytic converter flange	2	WCM100480
31	NUT, catalytic converter flange	6	ESR2034
32	BRACKET, around rear silencer Not MGF Trophy or MG TF 160.	1	WCU100871
33	BRACKET, rear silencer hanger	1	WCU100761
34	NUT, hanger to rear silencer	2	FN108041
35	MOUNTING RUBBER, rear silencer	2	WCS100090
36	BRACKET, mounting rubber	2	WDB100040
37	SCREW, bracket to body	4	FS108357
38	FINISHER TRIM ONLY, oval (each) Clamp on. Fits over existing oval tailpipe.	2	DUB100620

Exhaust System Fitting Kits

39	FITTING KIT, exhaust system: Each kit includes: manifold to downpipe gasket (4 or 6 stud type, depending on kit), catalytic converter gaskets, downpipe and rear silencer mounting rubbers, plus screws and nuts for complete system (not including manifold to cylinder head nuts).		
	to VIN YD522572 (4 stud fixing)	1	RP1163
	To 2000.		
	VIN YD522573 on (6 stud fixing)	1	RP1164
	2000 on.		

EXHAUST SYSTEM FITTING KIT - RP1164



EXHAUST MANIFOLD INSULATION WRAP REDUCES ENGINE BAY TEMPERATURES! SEE PAGE 137 FOR FULL DETAILS

THERMO-TEC INSULATION WRAP 2" x 50' roll	RX1382
THERMO-TEC SNAP-STRAP KIT stainless steel	RX1383
HIGH TEMPERATURE PAINT, 400ml aerosol Black	S3SPV01
Aluminim	S3SPV02DS

No. DESCRIPTION QTY REQ. PART No.

Exhaust - Sports System Components

40	SPORTS EXHAUST MANIFOLD & LINK PIPE 4 into 2 into 1 performance stainless steel tubular exhaust manifold. Couples directly to catalytic. Fits all models excluding vehicles fitted with air conditioning or fitted with PRT thermostat.	1	RP1562
41	SPORTS CATALYTIC CONVERTER: Free-flow design for increased horsepower and torque. to VIN YD522572 (to 2000)	1	WAG103651SPORT
	VIN YD522573 on (2000 on)	1	WAG000671SPORT
42	CATALYTIC REPLACEMENT PIPE: For increased horsepower and torque. Stainless steel (inc flanges) for durability. Will not pass UK MOT test. to VIN YD522572 (to 2000)	1	RP1058
	Straight pipe.		
	VIN YD522573 on (2000 on)	1	RP1563
	Cranked pipe.		
43	SPORTS REAR SILENCER/TAILPIPES: Performance, free-flow silencer with sporty tone, XPower Thruflow spec. Stainless steel. 3 1/2" dia internal roll, round tail pipes. to VIN YD522572 (to 2000)	1	WCE103450SSSPORT
	VIN YD522573 on (2000 on)	1	WCG000550SSSPORT

Exhaust - Sports System Kits

Our sports exhausts kits include sports tubular manifold, link pipe, sports rear silencer and exhaust system fitting kit, offering a saving over purchasing the items separately. Sports catalytic or cat replacement pipe are sold separately, if required. Note: sports manifold will not fit air conditioned vehicles or vehicles fitted with PRT thermostat.

44	SPORTS EXHAUST KIT, to VIN YD522572 (to 2000)	1	RP1564
45	SPORTS EXHAUST KIT, VIN YD522573 on (2000 on)	1	RP1565

Engine Bay & Exhaust Heatshields

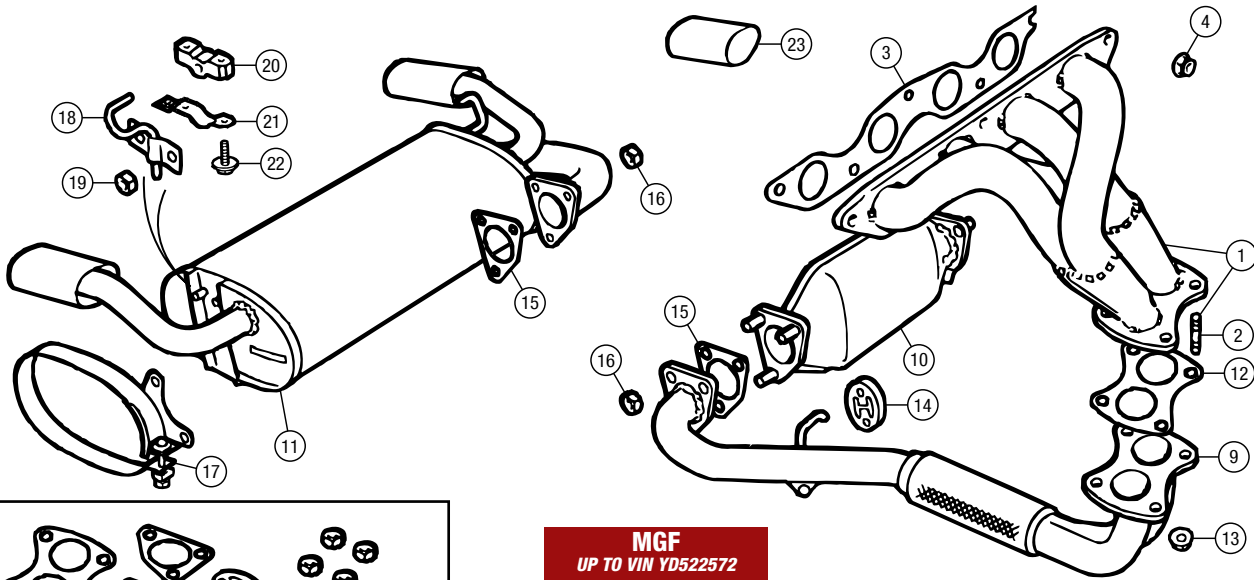
46	MESH SILENCER COVER Stainless steel. See photo.	1	RP1561
47	HEATSHIELD, ENGINE BAY, hood well cover (self adhesive)	1	WEB101150
48	HEATSHIELD, ENGINE BAY, fuel tank (secured by nuts)	1	WEB000240
49	NUT, fuel tank heatshield to body	5	WYH100420
50	HEATSHIELD, silencer	1	WEB101160
51	BOLT, silencer heatshield to body	4	DYP10015
52	HEATSHIELD, coolant hose: MGF up to VIN YD517620 only. to VIN XD511058	1	WEB101230
	VIN XD511058 to YD517620	1	WEB102380
53	BRACKET, coolant hose heatshield, upper (MGF up to VIN YD517620 only)	1	WEU100120
54	BRACKET, coolant hose heatshield, lower (MGF up to VIN YD517620 only)		
	manual	1	WEU100140
	automatic	1	WEU100170
55	SCREW, bracket to heatshield, upper bracket (MGF up to VIN YD517620 only)	1	FS106207
56	SCREW, bracket to heatshield, lower bracket (MGF up to VIN YD517620 only)	2	FS106307

Unfortunately, after a promising start at illustrating and documenting the MGF's heatshields, MG Rover's Technical Services Department never got around to illustrating the completely different exhaust heatshields and fixings fitted from around 2000 onwards. Neither the factory parts catalogues nor the workshop manuals illustrate any of them at all. They did however list them with good descriptions in the parts catalogues, so you can still work out what you have and what you need.

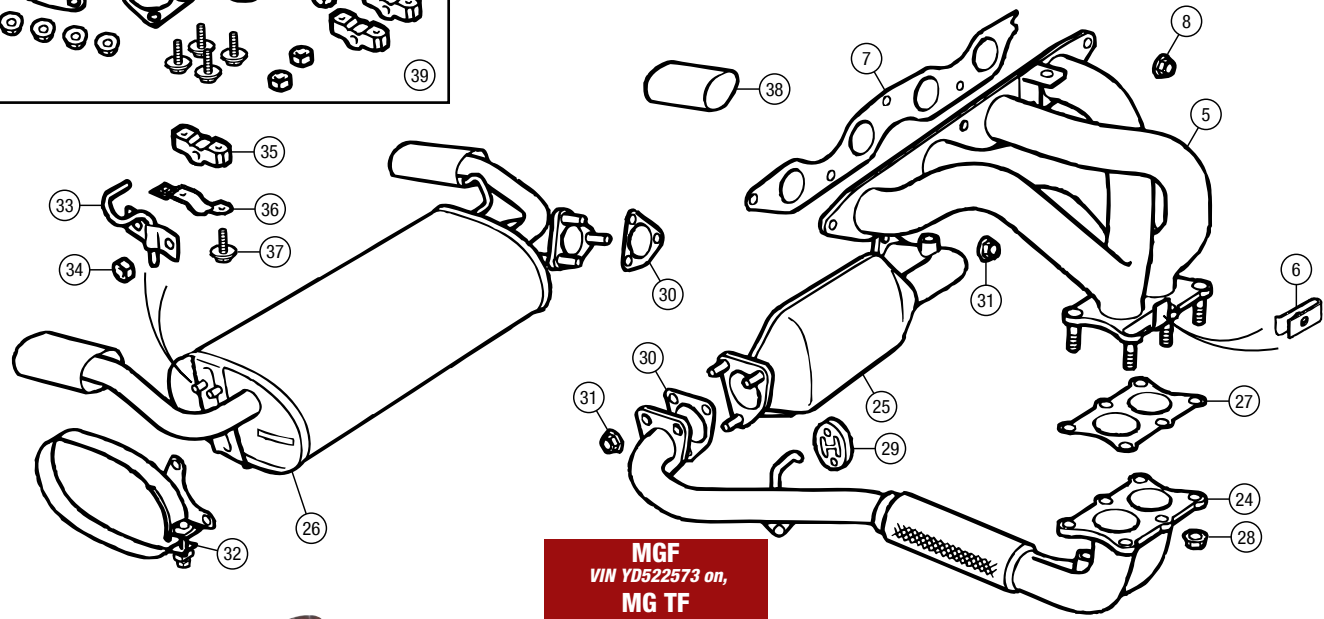
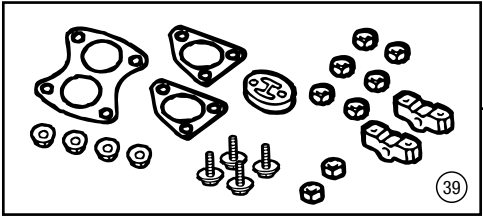
-	HEATSHIELD, exhaust manifold: MGF from VIN YD517621 to YD522572 only.		
	RH (manual and automatic)	1	LWQ105610
	LH (automatic only)	1	LWQ105600
-	SCREW, manifold heatshield MGF from VIN YD517621 to YD522572 only.	3	FS106167
-	NUT, manifold heatshield MGF from VIN YD517621 to YD522572 only.	1	FN108046
-	HEATSHIELD, manifold, upper MGF automatic to YD522572 only.	1	LWQ105620
-	SCREW, manifold heatshield MGF automatic to YD522572 only.	4	FS106167
-	HEATSHIELD, exhaust manifold MGF from VIN YD522572 on, MG TF.	1	LWQ100570
-	SCREW, heatshield to manifold MGF from VIN YD522572 on, MG TF.	2	AFP0663
-	NUT, heatshield securing MGF from VIN YD522572 on, MG TF.	1	FN108046
-	STUD, heatshield securing MGF from VIN YD522572 on, MG TF.	1	TE108101L
-	SPACER, heatshield MGF from VIN YD522572 on, MG TF.	1	WYF000040



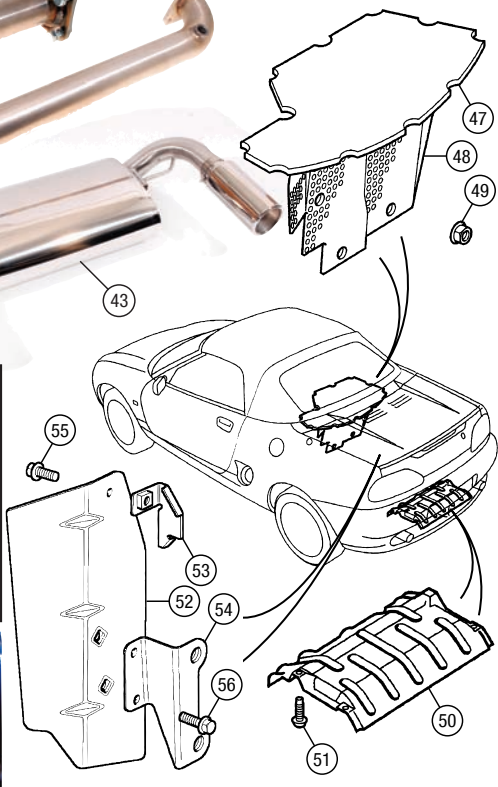
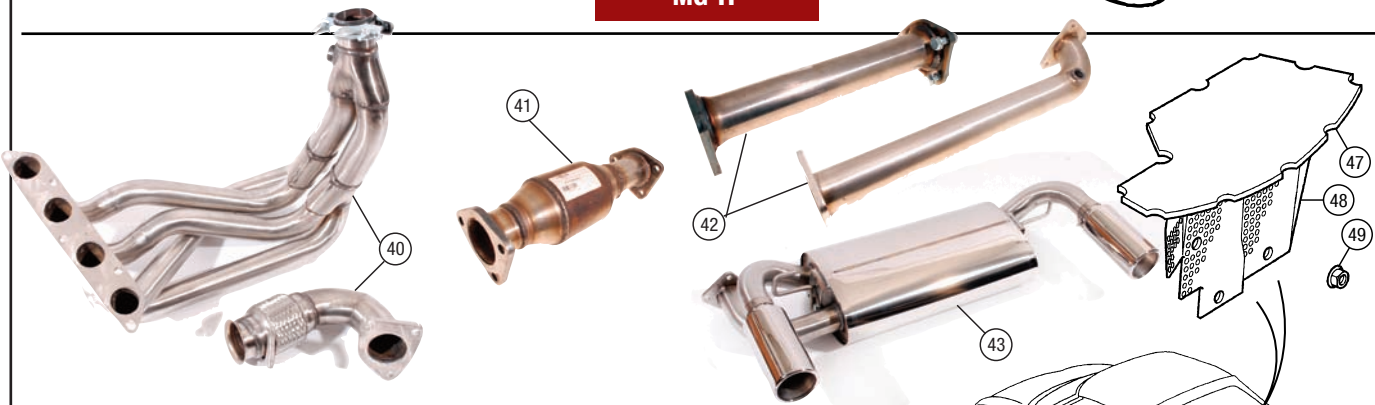
EXHAUST



MGF
UP TO VIN YD522572



MGF
VIN YD522573 on,
MG TF



www.rimmerbros.co.uk



No. DESCRIPTION QTY REQ. PART No.

Manual Gearboxes MGF & MG TF

The gearbox fitted to manual MGF and MG TF models is MG Rover's PG1 type, derived from a very reliable Peugeot unit. The final drive (differential) ratio differs between models, depending on the engine that the gearbox is used with:

MODEL	FINAL DRIVE	G/BOX SER. NO. PREFIX
MGF 1.6 (early)	3.9:1	G4BP
MGF 1.6 (late)	3.9:1	C6BP
MGF 1.8 (not VVC)	3.9:1	C6BP
MGF 1.8 VVC	4.2:1	C4BP
MG TF 1.8 & 1.8 VVC	4.2:1	C4BP
MG TF 1.6	3.9:1	C6BP

Gearbox Assembly

- 1 GEARBOX ASSEMBLY, MANUAL:
 - with 3.9:1 final drive
G4BP and C6BP g/box nos. 1 **TRC102670N**
 - with 4.2:1 final drive
to g/box no. C4BP03759 1 **TRC101740N**
 - g/box no. C4BP03760 on 1 **TRC102660N**

Gearbox Overhaul Seal Sets

Seal sets include differential seals, all gearbox case seals, O rings and sealing washers (including clutch housing seals).

- 2 SEAL SET, gearbox overhaul:
 - G4BP/C6BP g/boxes to 09712 1 **TRT100050**
 - C6BP g/box from 09713 1 **TRT100060**
 - C4BP g/box to 03759 1 **TRT100050**
 - C4BP g/box from 03760 1 **TRT100060**

Clutch Housing & Speedometer Drive

- 3 CLUTCH HOUSING ASSEMBLY 1 **TRD101030**
Later style clutch housing, includes clutch shaft bushes. Must be fitted with later RH differential seal UNG100060, as used from C6BP09713 on and C4BP 03760 on.
- 4 BUSH KIT, clutch shaft 1 **UNM100010**
- 5 SEAL, clutch shaft 1 **CDU70L**
- 6 SEAL, selector shaft 1 **CDU71**
- 7 SEAL, differential, RH
to g/box nos. C4BP03759
& G4BP/C6BP09712 (60mm dia) 1 **TRX100100SLP**
from g/box nos. C4BP3760
& C6BP9713 on (68mm dia) 1 **UNG100060**
- 8 SEAL, main shaft bearing 1 **UNG100100**
- 9 PROTECTOR, differential seal 1 **TRV100060**
- 10 BEARING, main shaft 1 **CDU66**
- 11 BEARING, counter shaft 1 **CDU68**
- 12 OIL GUIDE PLATE 1 **DBM523**
- 13 RETAINER, counter shaft bearing 1 **TUT100020L**
- 14 SCREW, retainer 2 **FS106165E**
- 15 MAGNET SET 1 **DBM524**
- 16 DOWEL, housing to gearbox case 2 **UYU100010**
- 17 PINION, speedometer drive 1 **TXG100170**
20 teeth. Includes O ring.
- 18 O RING, pinion 1 **CDU84**
- 19 SCREW, pinion to clutch housing 1 **LYP10008L**

No. DESCRIPTION QTY REQ. PART No.

Gearbox Casing & Reversing Light Switch

- 20 GEARBOX CASE ASSEMBLY 1 **TRE100810**
Later style gearbox case. Must be fitted with later LH differential seal TRX100060SLP, as used from C6BP09713 on and C4BP 03760 on.
- 21 OIL GUIDE PLATE 1 **DBM528**
- 22 WASHER, conical 1 **DBM540**
- 23 SHIM, main shaft bearing:
 - 0.50mm A/R **DBM555**
 - 0.55mm A/R **DBM556**
 - 0.60mm A/R **DBM557**
 - 0.65mm A/R **DBM558**
 - 0.70mm A/R **DBM559**
 - 0.75mm A/R **DBM560**
 - 0.80mm A/R **DBM561**
 - 0.85mm A/R **DBM562**
 - 0.90mm A/R **DBM563**
 - 0.95mm A/R **DBM564L**
 - 1.00mm A/R **DBM565L**
 - 1.05mm A/R **DBM566L**
 - 1.10mm A/R **DBM567**
 - 1.15mm A/R **DBM568L**
- 24 BEARING, main shaft 1 **CDU74**
- 25 SEAL, differential, LH:
 - to g/box nos. C4BP03759
& G4BP/C6BP09712 (74mm dia) 1 **TRX100110SLP**
 - from g/box nos. C4BP3760
& C6BP9713 on (84mm dia) 1 **TRX100060SLP**
- 26 PROTECTOR, differential seal 1 **TRV100060**
- 27 BEARING, counter shaft 1 **CDU78**
- 28 CIRCLIP, bearing to gearbox case 1 **DBM665**
- 29 WASHER, conical 1 **DBM663**
- 30 NUT, counter shaft securing 1 **DBM664**
- 31 BREATHER ASSEMBLY, gearbox 1 **TRG100120**
Fits all models. This breather assembly replaces the breather tube, clamp, plug and clip fitted originally to gearboxes prior to C6BP2014988 and C4BP2008563.
- 32 PLUG, gearbox case, 32mm diameter 1 **DBM573**
- 33 PLUG, gearbox case, 16mm diameter 1 **DBM574**
- 34 BOLT, gearbox case top, special 1 **DBM569**
- 35 WASHER, special bolt sealing 1 **DBM575**
- 36 BOLT, gearbox case to clutch housing, short 12 **DBM570**
- 37 BOLT, gearbox case to clutch housing, long 2 **DBM571**
- 38 PLUG, oil, gearbox drain 1 **DBM572**
- 39 PLUG, oil, gearbox filler 1 **ALU1396**
- 40 WASHER, sealing oil plug, gearbox drain 1 **ALU1403L**
- 41 WASHER, sealing oil plug, gearbox filler 1 **ALU1298**
- 42 SWITCH, reversing lights 1 **CDU51**
- 43 WASHER, sealing switch 1 **ALU1403L**

Gear Knob & Lever

- 44 GEAR KNOB:
 - original fitment black plastic 1 **UKJ100240PMA**
 - alloy (1999 on round style) 1 **UKJ100960MDC**
 - 'Touring' alloy, with MG logo 1 **RP1100**
 - Classic teardrop shaped satin finish alloy accessory knob.*
 - leather, with MG logo 1 **RP1426LMG**
 - wood, with MG logo 1 **RP1426WMG**
 - alloy, black anodised, round 1 **500000139**
- 45 GEARCHANGE MECHANISM, with cables:
 - MGF 1 **UKD000090**
 - MG TF 1 **UKD000160**
 - MG TF LE500 1 **UKD000310**

No. DESCRIPTION QTY REQ. PART No.

- 46 CABLE, gear selector, cross-gate 1 **ULS100061**
Longer.
- 47A CABLE, gear selector, gearchange 1 **ULS100071UR**
Shorter.
 - MGF
 - standard 1 **ULS100071**
 - uprated kit 1 **ULS100071UR**
 - Upgrades MGF gearchange to improved MG TF specification. Kit includes gearchange cable and bellcrank lever.*
 - MG TF
 - 1 **ULS000011**
- 47B RUBBER BOOT, cable 2 **ULS000012**
- 48 INSERT, gearchange mechanism 1 **PZN10003**
- 49 SCREW, mechanism to body 3 **FS106207**
- 50 NUT, mechanism to body 4 **FN106047**
- 51 BRACKET, cable securing 1 **UKU100400**
- 52 BRACKET, cable abutment, small 1 **UKU100380**
- 53 BRACKET, cable abutment, large
 - MGF 1 **UKU100390**
 - MG TF 1 **UKU000020**
- 54 CLIP, cable to securing bracket 2 **PYC10020**
- 55 CLIP, cable to abutment bracket 1 **UYC10006**
- 56 SCREW, small abutment bracket 2 **TYP10002**
- 57 SCREW, large abutment bracket 2 **SH110201**
- 58 BELLCRANK LEVER ASSEMBLY:
 - MGF 1 **UKE100610**
 - MG TF 1 **UKE000120**
- 59 ROLL PIN, selector mechanism 1 **PA116221**
- 60 RETAINER, roll pin 1 **ULK10002**

Gear Lever Gaiter

- 61 GAITER, manual gear lever:
 - MGF to VIN XD511058 to 1999.
 - replacement fitment
 - Range of gear lever gaiters specially produced in colours to match MGF interior trim kits and packages.*
 - black leather 1 **RP1152BLACK**
 - grey leather 1 **RP1152GREY**
 - light stone beige leather 1 **RP1152BEIGE**
 - biscuit leather 1 **RP1152BISCUIT**
 - cream leather 1 **RP1152CREAM**
 - british racing green leather 1 **RP1152BRG**
 - blue leather 1 **RP1152BLUE**
 - red leather 1 **RP1152RED**
- 62 GAITER, manual gear lever:
 - MGF from VIN XD511059 from 1999, MG TF
 - replacement fitment
 - Range of gear lever gaiters specially produced in colours to match late MGF and MG TF interior trim kits and packages.*
 - black leather 1 **RP1190BLACK**
 - grey leather 1 **RP1190GREY**
 - light stone beige leather 1 **RP1190BEIGE**
 - biscuit leather 1 **RP1190BISCUIT**
 - cream leather 1 **RP1190CREAM**
 - british racing green leather 1 **RP1190BRG**
 - blue leather 1 **RP1190BLUE**
 - red leather 1 **RP1190RED**
- 63 LOWER FINISHER, gear lever gaiter:
 - MGF to VIN XD511058 to 1999.
 - original black plastic 1 **FJN100160PMA**
 - silver anodised finish (alternative) 1 **RP1482**
- 64 LOWER FINISHER, gear lever gaiter:
 - MGF from VIN XD511059, MG TF
 - From 1999 on. Alloy finish.
 - 1 **FJV101910IAD**
- 65 FERRULE, gear lever gaiter, silver anodised finish 1 **RP1483**
Replaces original black plastic ferrule on all cars so fitted.



RP1426LMG



UKJ100960MDC



500000139



RP1426WMG



UKJ100370RAK



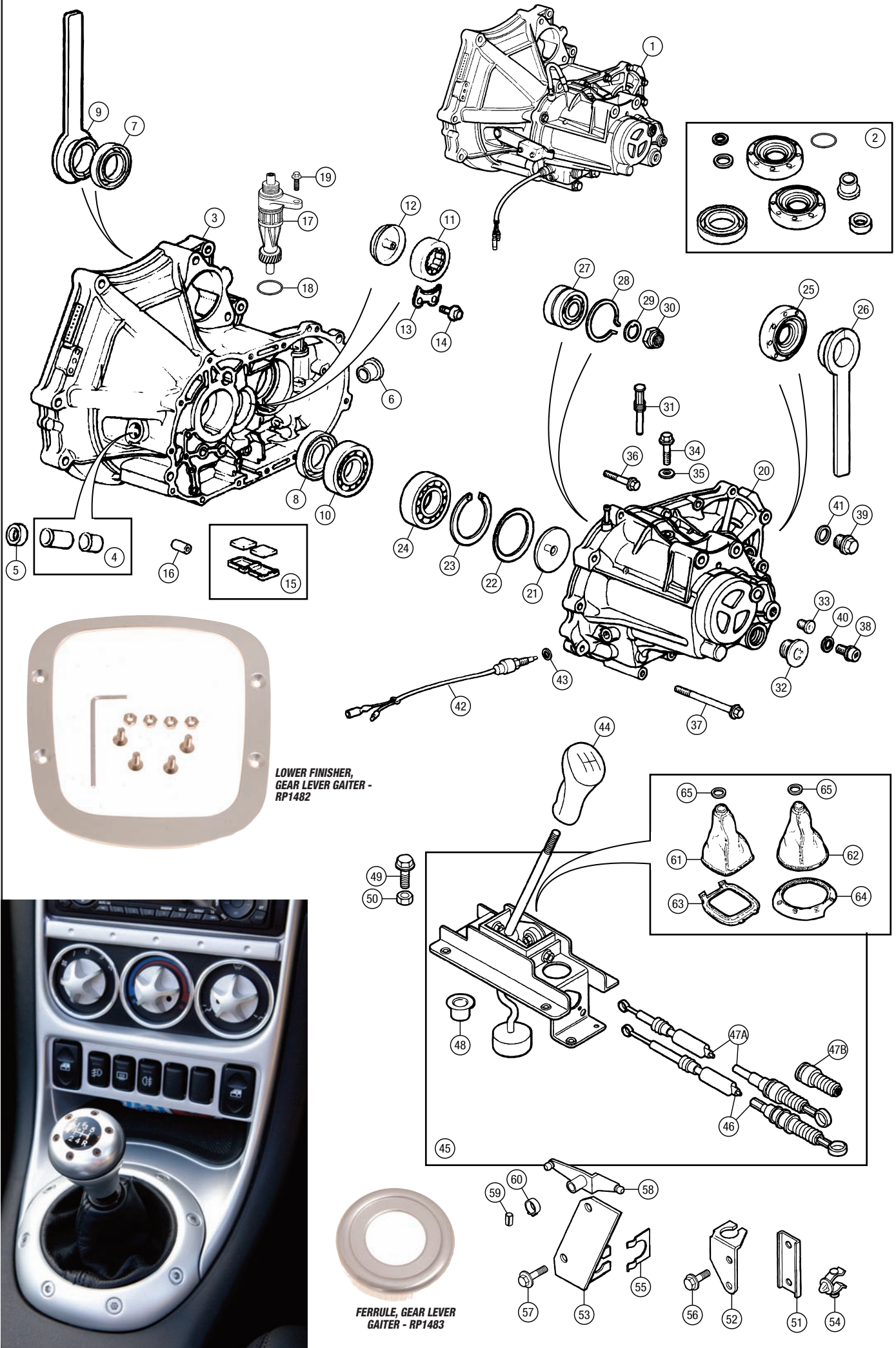
RP1100



GAITER, MANUAL GEAR LEVER - RP1152 BLACK



GAITER, MANUAL GEAR LEVER - RP1190 GREY



LOWER FINISHER, GEAR LEVER GAITER - RP1482

FERRULE, GEAR LEVER GAITER - RP1483



No. DESCRIPTION QTY REQ. PART No.

Main Shaft

1	BEARING, main shaft, RH <i>Located in clutch housing.</i>	1	CDU66
2	MAIN SHAFT, later type <i>This later type main shaft can only be used in conjunction with the later type reverse idler gear. Unfortunately there is no documented change point between 'early' and 'late', thus it is recommended on all cars that if the main shaft is renewed then the reverse idler gear should be replaced with the later type, part no. TUB101760.</i>	1	TUD102170
3	GEAR, main shaft, 3rd (26 teeth)	1	DBM599
4	GEAR, main shaft, 4th (30 teeth)	1	DBM603
5	GEAR, main shaft, 5th (34 teeth)	1	DBM612
6	BEARING, needle roller	3	TUK10011
7	SYNCHRONISER ASSEMBLY, 3rd and 4th gear	1	LHM508
8	SYNCHRONISER ASSEMBLY, 5th gear	1	LHM595
9	DISTANCE COLLAR, main shaft: original	1	CDU4162
	alternative	1	LHM510
10	REVERSE IDLER SHAFT	1	DBM598
11	GEAR, reverse idler (24 teeth) <i>This reverse idler gear is the later type and can be used with either early or late main shafts. However if the main shaft is being renewed, this later type reverse idler gear must be used.</i>	1	TUB101760
12	ROLL PIN, reverse idler shaft	1	TYT100100
13	THRUST WASHER, reverse idler shaft <i>Later type nylon thrust washer. May be used in place of earlier type metal thrust washer, which is no longer available.</i>	1	TUF100080
14	OIL GUIDE PLATE	1	DBM528
15	WASHER, conical	1	DBM540
16	CIRCLIP/SHIM, LH main shaft bearing:		
	0.50mm	A/R	DBM555
	0.55mm	A/R	DBM556
	0.60mm	A/R	DBM557
	0.65mm	A/R	DBM558
	0.70mm	A/R	DBM559
	0.75mm	A/R	DBM560
	0.80mm	A/R	DBM561
	0.85mm	A/R	DBM562
	0.90mm	A/R	DBM563
	0.95mm	A/R	DBM564L
	1.00mm	A/R	DBM565L
	1.05mm	A/R	DBM566L
	1.10mm	A/R	DBM567
	1.15mm	A/R	DBM568L
17	BEARING, main shaft, LH <i>Located in gearbox casing.</i>	1	CDU74

No. DESCRIPTION QTY REQ. PART No.

Counter Shaft

18	BEARING, counter shaft, RH <i>Located in clutch housing.</i>	1	CDU68
19	OIL GUIDE PLATE	1	DBM523
20	RETAINER, counter shaft bearing	1	TUT100020L
21	SCREW, retainer	2	FS106165E
22	COUNTER SHAFT:		
	15 teeth	1	DBM620
	<i>MGF 1800 VVC, MG TF 1800 (not VVC) and 1800 VVC. For 4.2:1 final drive in gearboxes with C4BP prefixed serial numbers.</i>		
	16 teeth	1	DBM619
	<i>MGF 1600 and 1800 (not VVC), MG TF 1600. For 3.9:1 final drive in gearboxes with G4BP and C6BP prefixed serial numbers.</i>		
23	SPACER WASHER, counter shaft 1st gear:		
	1.96mm	A/R	DBM658
	1.99mm	A/R	DBM659
	2.02mm	A/R	DBM660
	2.05mm	A/R	DBM661
	2.08mm	A/R	DBM662
24	NEEDLE ROLLER BEARING, 1st gear	1	TUK10010L
25	NEEDLE ROLLER BEARING, 2nd gear	1	TUK10009
26	GEAR, counter shaft, 1st (38 teeth)	1	DBM633
27	GEAR, counter shaft, 2nd (35 teeth)	1	DBM638
28	GEAR, counter shaft, 3rd (34 teeth)	1	DBM646
29	GEAR, counter shaft, 4th (31 teeth)	1	DBM651
30	GEAR, counter shaft, 5th (26 teeth)	1	DBM643
31	SYNCHRO ASS'Y, 1st and 2nd gear	1	DBM812EVA
32	DISTANCE COLLAR, counter shaft: original	1	CDU4164
	alternative	1	LHM74
33	BEARING, counter shaft, LH <i>Located in gearbox casing.</i>	1	CDU78
34	CIRCLIP, bearing retaining	1	DBM665
35	WASHER, conical	1	DBM663
36	NUT, counter shaft securing	1	DBM664

Selector Forks

37	SHAFT, 1st/2nd selector fork	1	TSB100250
38	SHAFT AND FORK ASSEMBLY <i>For 5th and reverse gears. Includes shaft and reverse gear selector fork.</i>	1	TSB100440
39	SHAFT, 5th/reverse selector fork	1	DBM704
40	SELECTOR FORK, 1st/2nd gears	1	TSP100210L
41	SELECTOR FORK, 3rd/4th gears <i>This 3rd/4th gear selector fork is the later type and can be used with either the early or late interlock assemblies. However if the interlock assembly is being renewed, this later type selector fork must be used.</i>	1	TSP100330
42	SELECTOR FORK, 5th gear	1	TSP100170L
43	SELECTOR FORK, reverse gear	1	TSB100440
44	ROLL PIN, reverse fork shaft	1	TYT100100

No. DESCRIPTION QTY REQ. PART No.

Selector Mechanism

45	SHAFT, selector	1	DBM684L
46	BOOT, selector shaft	1	ULN100100L
47	SELECTOR, gear	1	TTK100120
48	BOLT, gear selector	1	DBM692
49	WASHER, locking	1	DBM589
50	SELECTOR FORK ASSEMBLY, reverse	1	TTL100170A
51	BALL, detent, reverse selector fork <i>Included in reverse selector fork assembly.</i>	1	ALU1438L
52	BOLT, reverse selector fork	2	DBM690
53	HOLDER ASSEMBLY, interlock	1	TTL100150
54	BOLT, holder assembly, M6 x 22.5	1	DBM690
55	BOLT, holder assembly, M6 x 18	1	EDU1004
56	BOLT, holder assembly, M8	1	TTE100020
57	INTERLOCK ASSEMBLY <i>This later type interlock assembly can only be used in conjunction with the later type 3rd/4th gear selector fork. Unfortunately there is no documented change point between 'early' and 'late', thus it is recommended on all cars that if the interlock assembly is renewed then the 3rd/4th gear selector fork should be replaced with the later type, part no. TSP100330A.</i>	1	TSW100070A
58	SELECTOR, gear, interlocked	1	TTK100170A
59	SHAFT, interlocked selector	1	TSB100190
60	BALL, detent, selector shaft	1	ALU1438L
61	SPRING, detent ball	1	DBM688
62	SCREW, detent ball	1	DBM689

Differential

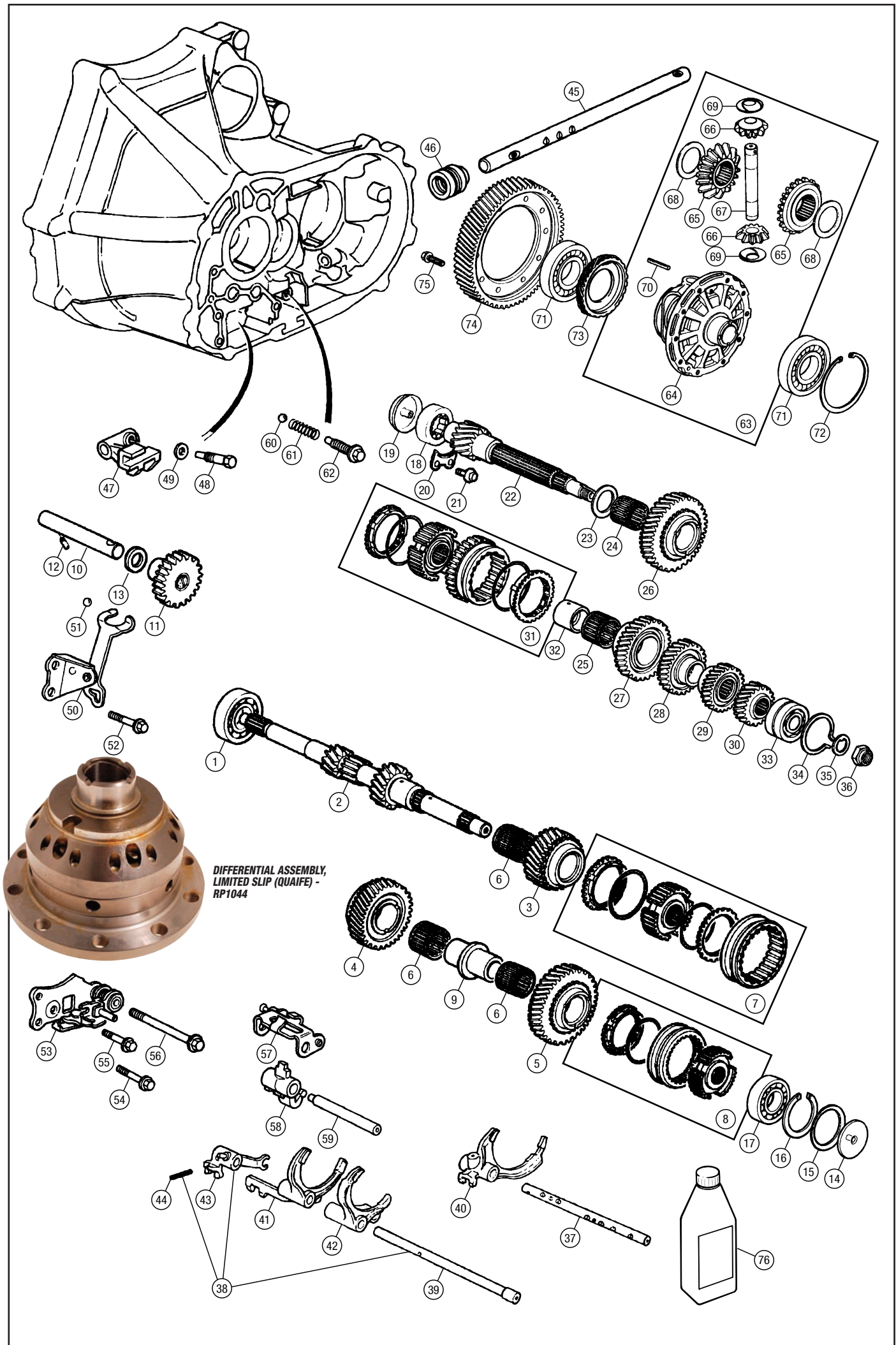
63	DIFFERENTIAL ASSEMBLY:		
	standard	1	TBB100760
	limited slip (Quaife)	1	RP1044
	<i>This helical (gear) type torque biasing L.S.D. automatically transfers torque to the wheel with the most grip (the opposite to a conventional diff. which transfers torque to the wheel with the least grip) helping to avoid wheel spin and improve traction. The unique design means the diff locks progressively avoiding the harsh action of some other types and minimising wear.</i>		
64	CAGE, differential	1	TBF100080
65	GEAR, differential	2	TCB100260
66	GEAR, pinion	2	TCC100120
67	SHAFT, pinion	1	TBN100010
68	THRUST WASHER, differential gear	2	DBM739
69	THRUST WASHER, pinion gear		
	0.70mm	A/R	DBM731
	0.75mm	A/R	DBM732
	0.80mm	A/R	DBM733
	0.85mm	A/R	DBM734
	0.90mm	A/R	DBM735
	0.95mm	A/R	DBM736
	1.00mm	A/R	DBM737
	1.05mm	A/R	DBM738
70	ROLL PIN, differential	1	TYT100110
71	BEARING, differential	2	CDU85
72	CIRCLIP/SHIM, differential bearing:		
	2.50mm	A/R	DBM741
	2.60mm	A/R	DBM742
	2.70mm	A/R	DBM743
	2.80mm	A/R	DBM744
	2.90mm	A/R	DBM745
	3.00mm	A/R	DBM746
73	GEAR, speedometer drive (23 teeth)	1	TXF100090
74	FINAL DRIVE GEAR, differential:		
	4.2:1 final drive (63 teeth) <i>MGF 1800 VVC, MG TF 1800 (not VVC) and 1800 VVC. For gearboxes with C4BP prefixed serial numbers. Gear features single identification groove.</i>	1	DBM711L
	3.9:1 final drive (63 teeth) <i>MGF 1600 and 1800 (not VVC), MG TF 1600. For gearboxes with G4BP and C6BP prefixed serial numbers. No identification grooves on gear.</i>	1	DBM709
75	BOLT, final drive gear	10	DBM740

Gearbox Oil

76	MANUAL GEARBOX OIL:		
	genuine MG Rover MTF 94, 1 litre		VYK000010
	genuine Land Rover MTF 94, 1 litre		STC9158
	genuine Land Rover MTF 94, 5 litre		STC9157



PHOTO COURTESY OF ROB HAWKINS



ORDER

BY PHONE: 01522 568000 / ON LINE: www.rimmerbros.co.uk / E-MAIL: mgrover@rimmerbros.co.uk



AUTOMATIC GEARBOX

No.	DESCRIPTION	QTY REQ.	PART No.
Automatic Gearbox			
1	GEARBOX ASSEMBLY, exchange	1	TGD101780E
2	DRIVE PLATE, gearbox	1	UQB000060
3	SCREW, drive plate to flywheel	6	FS108161
4	CLOSURE PLATE drive plate housing, RH	1	TGQ100090
5	CLOSURE PLATE, drive plate housing, LH	1	TGQ100100
6	SCREW, closure plate	5	FS106101LP
7	BOLT, gearbox to engine: M12 x 65mm	2	TRF10001
	M12 x 53mm	2	TRF10002
8	SCREW, gearbox to engine: M8 x 16mm	6	FS108161
	M10 x 20mm	2	FS110207
-	SUPPORT BRACKET, selector cable: MGF to VIN YD533876	1	UCU101540
	MGF from VIN YD533877, MG TF	1	UCU000070
-	SCREW, BRACKET, M10 x 25mm	1	FS110251L

External Gearbox Components

9	OIL SUMP ASSEMBLY <i>Includes gasket, drain plug and washer.</i>	1	TGM10010
10	GASKET, sump	1	TGK10014EVA
11	DRAIN PLUG	1	TGZ10001
12	WASHER, sealing, drain plug	1	TEB10001
13	SCREW, sump to gearbox	13	FS106167
14	OIL STRAINER KIT <i>Includes O ring and bolt.</i>	1	TGM10011
15	O RING, oil strainer	1	TYX10009
16	BOLT, oil strainer	1	TYP10015
17	END COVER, gearbox	1	TGL10012
18	CLAMP, end cover	3	TEE10001
19	SCREW, end cover	3	FS106127P
20	BEARING COVER KIT <i>Includes cover, O rings and seal.</i>	1	TGM10012
21	O RING, bearing cover, large	1	TYX10012
22	O RING, bearing cover, small	1	TYX10013
23	SEAL, bearing cover	1	TGX10002
24	SCREW, bearing cover	4	FS106207
25	BLANKING PLUG, main case	2	TYB10002
26	BLANKING PLUG, bearing cover	1	TYB10001
27	WASHER, sealing, blanking plug, main case	2	TZB10004
28	WASHER, sealing, blanking plug, bearing cover	1	TZB10005
29	PINION, speedometer drive	1	TNB100100
30	PINION HOUSING, with O ring	1	TNK100040
31	O RING, pinion housing	1	TGN100030
32	SCREW, pinion housing	1	DAM7857
33	DOWEL, speedometer cable	1	UME10001
34	DIPSTICK	1	TGG100090
35	TUBE, dipstick, with O ring	1	TGP100100
36	O RING, dipstick tube	1	TYX10011
37	SCREW, dipstick tube	1	FS108161
38	KICKDOWN CABLE	1	UCV100540
39	INHIBITOR SWITCH	1	UHB100170
40	O RING, inhibitor switch	1	TYX10010
41	CLIP, inhibitor switch wiring	1	BRC4743
42	SENSOR, gearbox speed	1	NSC100960
43	SENSOR, road speed	1	SSB000370
44	BOLT, road speed sensor	1	TYG000290
45	SEAL, differential	2	TLF10002

No.	DESCRIPTION	QTY REQ.	PART No.
Pitot Chamber & Oil Pump			
46	PITOT CHAMBER COVER, oil pump	1	TG1000010
47	OIL PUMP	1	TJM000050
48	O RING, pitot chamber cover	1	TYX000150
49	O RING, oil pump	1	TYX000140
50	BOLT, pitot chamber cover	4	TYG000270
51	BOLT, oil pump	6	TYG000280
52	BEARING, primary shaft	1	TZZ000100
53	NUT, primary shaft bearing	1	TYH000240
54	WASHER, Belleville	1	TYF000170
55	PITOT TUBE: engine	1	TZX000030
	feed	1	TZX000020
56	SEAL, input shaft	1	TZB10003

Gear Selector Linkage - MGF UP TO VIN YD533876

ADJUSTABLE LINKAGE			
57	LEVER KIT, selector shaft <i>Includes selector shaft oil seal, nut and washer.</i>	1	UFX10003
58	SEAL, selector shaft	1	TZB10006
59	NUT, selector shaft	1	GHF252
60	WASHER, plain	1	UYF10008
61	SLEEVE, selector cable and rod	2	UCG10003
62	BOLT, selector cable and link rod	2	UDL10002A
63	NUT, bolt to lever and bellcrank	2	FN108041
64	BELLCRANK, with cable abutment	1	UKE100610
65	LINK ROD, adjustable	1	UEM100100

Gear Selector Linkage - MGF FROM VIN YD533877, MG TF

FIXED LINKAGE			
66	LEVER, selector shaft	1	UCD000070
67	SEAL, selector shaft	1	TZB10006
68	NUT, selector shaft	1	GHF252
69	WASHER, plain	1	UYF10008
70	SLEEVE, selector cable	1	UCG10003
71	BOLT, selector cable	1	UDL10002A
72	NUT, cable bolt to bellcrank	1	FN108046
73	BELLCRANK, with cable abutment	1	UKE000120
74	LINK ROD, fixed length	1	UKN101080

Gear Selector Lever

75	GEAR SELECTOR ASSEMBLY: with shift interlock solenoid	1	UCB101100
	without shift interlock solenoid	1	UCB000020
	<i>Selectively available on MGF from VIN YD531878 and MG TF.</i>		
76	KNOB, gear selector: black leather and alloy <i>Original fitment on MGF.</i>	1	UCK100290WCV
	black leather and satin chrome <i>Original fitment on MG TF.</i>	1	UCK000150WCV
77	SWITCH, electronic, gear selector	1	UGD100010
78	SOLENOID, shift interlock	1	UFN100060
79	CABLE, gear selector	1	UCV100710
80	CLIP, selector cable abutment	1	UYC100250
81	CLIP, selector cable to lever	1	UYC100260
82	ADJUSTER, selector cable	1	UEM100100
83	CLIP, pin retaining <i>MGF up to VIN YD522408.</i>	1	UYC000020

No.	DESCRIPTION	QTY REQ.	PART No.
Gear Lever Gaiter			
84	GAITER, GEAR LEVER, AUTOMATIC: replacement fitment - leather <i>Range of automatic gear lever gaiters specially produced in colours to match late MGF and MG TF accessory trim and packages.</i>		
	Black leather	1	RP1643BLACK
	Grey leather	1	RP1643GREY
	Light Stone Beige leather	1	RP1643BEIGE
	Biscuit leather	1	RP1643BISCUIT
	Cream leather	1	RP1643CREAM
	British Racing Green leather	1	RP1643BRG
	Blue leather	1	RP1643BLUE
	Red leather	1	RP1643RED
85	LOWER FINISHER, gear lever gaiter	1	FJV101910MDC
86	INDICATOR MODULE, LED, selector	1	UHF100000



AUTOMATIC GEAR LEVER GAITER - RP1643BLACK



AUTOMATIC GEAR LEVER GAITER - RP1643GREY

Gearbox Oil Cooler

87	OIL COOLER ASSEMBLY: MGF	1	UBC460010
	MG TF	1	UBC460030
88	SCREW, oil cooler securing	2	FS106207
89	MOUNTING INSERT, oil cooler	2	PZN10003
90	PIPE ASS'Y, with O rings, front: MGF	1	UBP101480
	MG TF	1	UBP000320
91	SCREW, pipes to oil cooler	2	FS106207
92	SCREW, pipe bracket	1	FS106207
93	PIPE ASS'Y, front to underfloor, inlet	1	UBP101230
94	PIPE ASS'Y, front to underfloor, outlet	1	UBP101240
95	CLIP, pipes to front subframe	1	UBR100070
96	BOLT, clip to subframe	1	FB108081
97	PIPE ASS'Y, underfloor, inlet MGF	1	UBP101460
	MG TF	1	UBP000330
98	PIPE ASS'Y, underfloor, outlet MGF	1	UBP101470
	MG TF	1	UBP000290
99	CLIP, underfloor pipes	5	UYC100230
100	PIPE ASS'Y, gearbox	1	UBP101630
101	ADAPTOR, pipe ass'y to gearbox	2	UBT100080
102	WASHER, sealing, adaptor	4	UYF100110
103	SWIVEL CLIP, pipes (MG TF)	2	UYC000050
-	BRACKET, pipe to cooler (MG TF)	2	UYH000020
-	SCREW, pipe bracket (MG TF)	2	FS106165E

CVT Gearbox Oil

MG Rover recommends only two lubricants for its em-CVT (also known as 'Steppeed/Steptronic') gearbox: Esso EZL799 CVT fluid and XPart CVT fluid.

Filling or topping up with other lubricants may result in gearbox failure. Gearbox capacity only for refilling from dry is 4.5 litres, while the oil cooler system contains 1 litre.



104 XPart CVT fluid, 1 litre

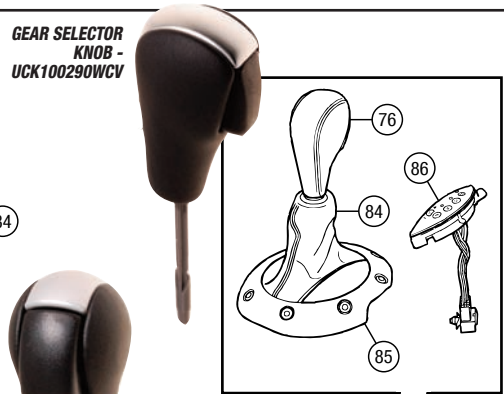
1 XPT0020020F



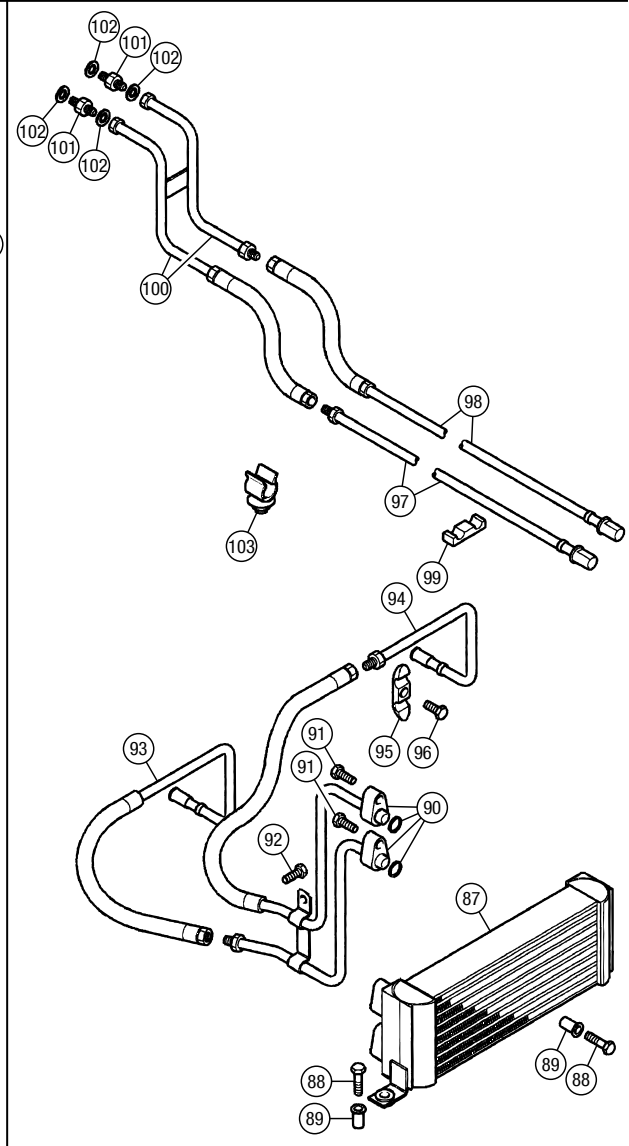
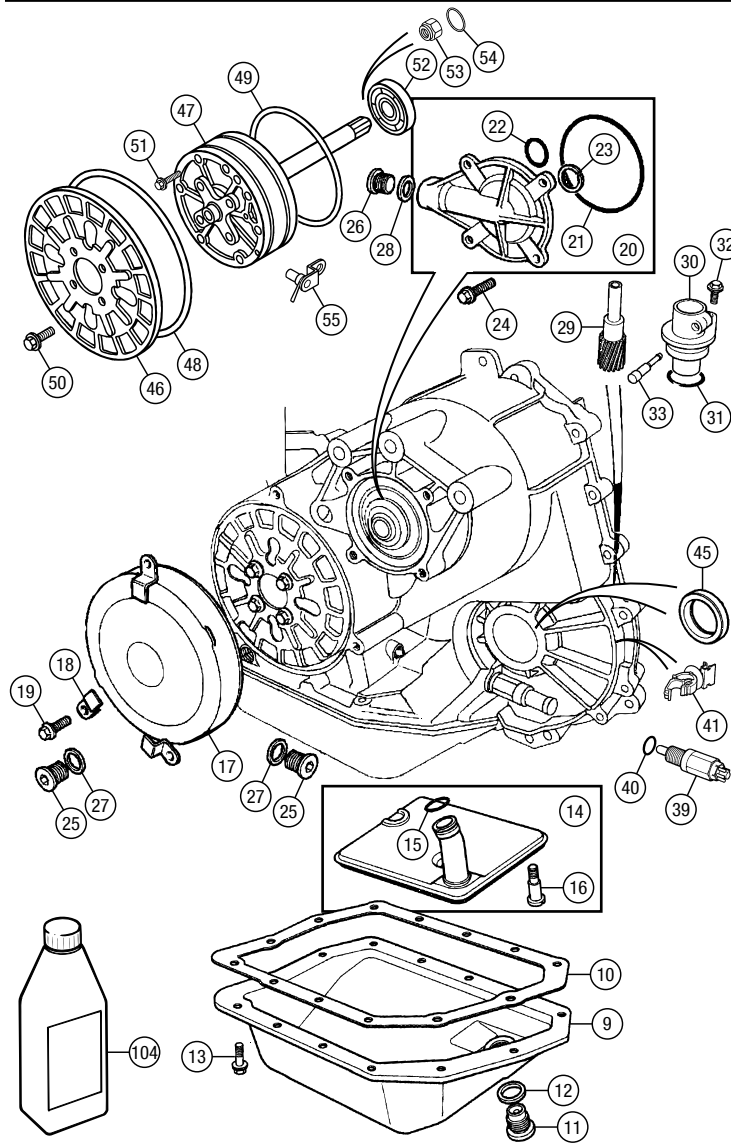
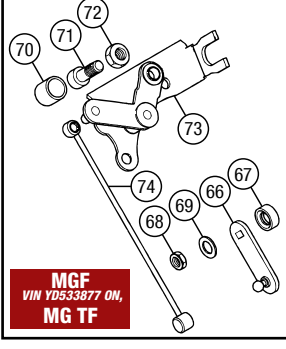
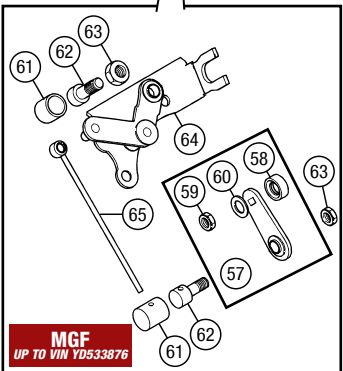
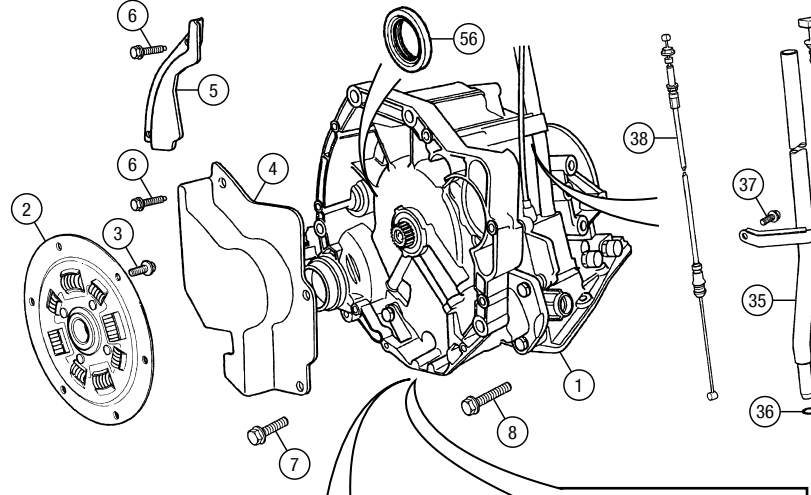
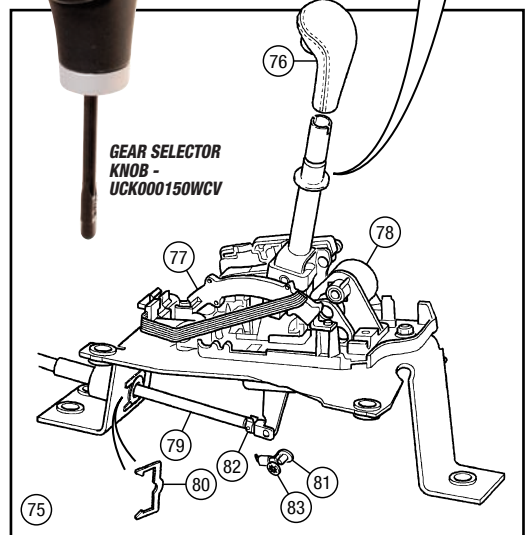


AUTOMATIC GEARBOX

GEAR SELECTOR
KNOB -
UCK100290WCV



GEAR SELECTOR
KNOB -
UCK000150WCV





FRONT SUSPENSION - MGF

No. DESCRIPTION QTY REQ. PART No.

Shock Absorbers - MGF

For car sets of standard and uprated shock absorbers, please refer to the Suspension Packages section.

1	SHOCK ABSORBER, front:		
	standard, each	2	RNB000260
	uprated		
	Gaz, pair	1	RP1023GAZ
	Oil-filled, on-car adjustable.		
	Spax, pair	1	RP1023SPAX
	28-stage, on-car adjustable.		
	Krypton gas pressurized. TUV approved.		
2	BOLT, shock absorber, lower	2	FB110221L
3	SPACER, lower bolt	2	RNG10001
4	WASHER, cup, bush supporting, to upper arm	2	NAM1290
5	WASHER, cup, bush supporting, to nut (from VIN XD507465 on)	2	RYF100430
6	NUT, shock absorber, lower	2	GHF233

Hydragas Unit & Pipes - MGF

7	HYDRAGAS UNIT, front:		
	all models except Trophy	2	RNK100070
	Trophy	2	RNK000010
8	KNUCKLE JOINT, lower, standard	2	RG0001219EVA
9	KNUCKLE JOINT, lower, ride height lowering:		
	Special knuckle joints to lower ride height by 30mm. Available (and must be fitted in) in car set of four, or individually for service replacement. Once fitted, car will require front and rear wheel alignment check and adjustment. Not for use with Suplex coil spring kit.		
	car set of four	1	RP1484
	replacement joint, each	4	RP1484SINGLE
10	SPACER, knuckle joint:		
	3.6mm	A/R	NAM3432
	2.3mm	A/R	RPL100080
11	SPRING, compression	2	NAM9013
12	VALVE ASSEMBLY, Hydragas	2	13H1705
13	CAP, valve (included with valve)	2	13H4714
14	PIPE, Hydragas, front		
	RH, not Trophy	1	RNP100180
	RH, Trophy	1	RNP000060
	LH, not Trophy	1	RNP100190
	LH, Trophy	1	RNP000070
15	PIPE, Hydragas, intermediate		
	RH	1	RNP100200
	LH	1	RNP100210
16	PIPE, Hydragas, rear		
	RH, not Trophy	1	RNP100162
	RH, Trophy	1	RNP000100
	LH, not Trophy		
	to VIN YD517618	1	RNP100172
	from VIN YD517619 on	1	RNP100370
	LH, Trophy	1	RNP000110
17	O RING, Hydragas pipe union	4	RYX100220
18	HYDROLASTIC FLUID, 5 litre:		
	OE	A/R	VDS000030
	aftermarket	A/R	S3SHHF5
19	CLIP, Hydragas pipe, to body	8	NAM9223
20	CLIP, Hydragas pipe, to body	2	PRC6525A
21	CLIP, Hydragas pipe, to body flange	2	ADU8705
22	CLIP, Hydragas pipe, to brake pipes	7	SYC100820

Suplex Coil Spring Kit - MGF

From Germany comes the Suplex MGF Suspension Kit, designed and manufactured to be fitted as a complete system, replacing the original Hydragas displacers and shock absorbers with new coil spring units (utilising the original pressed steel Hydragas mounting plates) and new matching shock absorbers.

Fitting the kit is within the capability of an owner who is competent and familiar with working on many aspects of their car beyond simple servicing, and who has a comprehensive selection of tools and good working facilities.

The kit includes four spring units (front and rear), four non-adjustable shock absorbers and comprehensive fitting instructions. It is not suitable for lowered suspension.

For photograph and further information, refer to page 47.

SUPLEX COIL SPRING SUSPENSION KIT	1	RP1205
-----------------------------------	---	--------

No. DESCRIPTION QTY REQ. PART No.

Lower Arm & Anti Roll Bar - MGF

23	SUSPENSION ARM ASSEMBLY, lower, incl. ball joint & bushes:		
	Important note: the lower arms now supplied for non-Trophy MGF fitment are in fact the later MG TF type. When replacing MGF lower arms with the MG TF items, they must be replaced in pairs.		
	all MGF models except Trophy		
	pair (see note above)	1	RBJ000741-751
	Trophy		
	RH	1	RBJ000220
	LH	1	RBJ000230
24	BALL JOINT, lower arm:		
	Not Trophy. Included in lower arm assembly. Originally rivetted to lower arm; when replacing ball joint, rivets must be drilled out and replaced with bolts and nuts listed below. (Item 25 & 26). The bolts and nuts are included with the OE ball joints. Supplied separately with aftermarket joints.		
	RH		
	OE	1	RBK100401
	aftermarket	1	RBK100401P
	LH		
	OE	1	RBK100411
	aftermarket	1	RBK100411P
25	BOLT, ball joint to lower arm	6	FT108301ML
26	NUT, nyloc	6	NY108051L
27	BUSH, lower arm to subframe, front		
	Not Trophy. Standard bushes included in lower arm assembly.		
	standard, each	2	RBX10025
	polyurethane, pair	1	RBX10025POLY
28	BUSH, lower arm to subframe, rear		
	Not Trophy. Standard bushes included in lower arm assembly.		
	standard, each	2	RBX000771
	polyurethane, pair	1	RBX000771POLY
29	BOLT, lower arm to subframe	4	RYG10048
30	ANTI ROLL BAR	1	RBL100631
31	BUSH, anti roll bar mounting (19mm):		
	standard, each	2	RGX000920
	polyurethane, pair	1	RGX000920POLY
32	CLAMP, anti roll bar mounting	2	RBU100101
33	SCREW, clamp	4	KYP10002L
34A	LINK ASSEMBLY, anti roll bar:		
	RH	1	RBM100101
	LH	1	RBM100111
34B	LINK BUSH ONLY, set of 4,		
	polyurethane	1	RBM100101-11POLY
35	BOLT, anti roll bar link	4	FB110111
36	NUT, anti roll bar link	4	FN110041

Polyurethane Bush Kit - MGF

For rear suspension polyurethane bush kit and car sets of polyurethane bushes, please refer to Suspension Packages.

37	POLYURETHANE BUSH KIT, front suspension:		
	Includes bushes for front lower arms and anti roll bar mounting (car set).		
	polyurethane bush kit	1	RP1046
	polybush brand bush kit	1	RP1046PB

Upper Arm & Bump Stops - MGF

38	SUSPENSION ARM, upper:		
	Includes needle roller bearings and grease nipple.		
	RH	1	RBJ101200
	LH	1	RBJ101210
39	NEEDLE ROLLER BEARING	4	2A3497
40	NIPPLE, grease	2	234532
41	BALL JOINT KIT, upper	2	RBG000020SLP
42	NUT (included in ball joint kit)	2	ADU3882
43	WASHER, tab (included in ball joint kit)	2	RDB10001
44	WASHER, lock (included in ball joint kit)	2	NAM2470
45	SHAFT KIT, upper arm:		
	Includes shaft, bearings, nuts, outer washers, thrust washer, seals, collar and retaining plate for one upper arm.		
	inc, original parts	2	RBR000020K
	inc, aftermarket parts	2	RBR000020KP
46	SHAFT, upper suspension arm	2	RBR000020
	See also item 45.		
47	NUT, shaft	4	NV608041
48	WASHER, outer	4	FAM9267
49	THRUST WASHER, shaft	2	RDB000010
50	SEAL, shaft	4	RYX000030
51	COLLAR, shaft	2	FAM7789
52	PLATE, shaft retaining	2	2A4327

No. DESCRIPTION QTY REQ. PART No.

53	SCREW, shaft retaining plate, large	2	FS106167
54	SCREW, shaft retaining plate, small	2	RYP10001
55	WASHER, plain	4	WA112081
56	NUT, shaft retaining plate	2	FX106041
57	BUMP STOP RUBBER:		
	standard wheels	2	NAM9226
	16" or 17" wheels	2	RNV100050
58	CLIP, bump stop	2	RBZ10001
59	REBOUND STOP RUBBER	2	2A4267SLP
60	SCREW, rebound stop	2	PMZ308

Front Hub - MGF

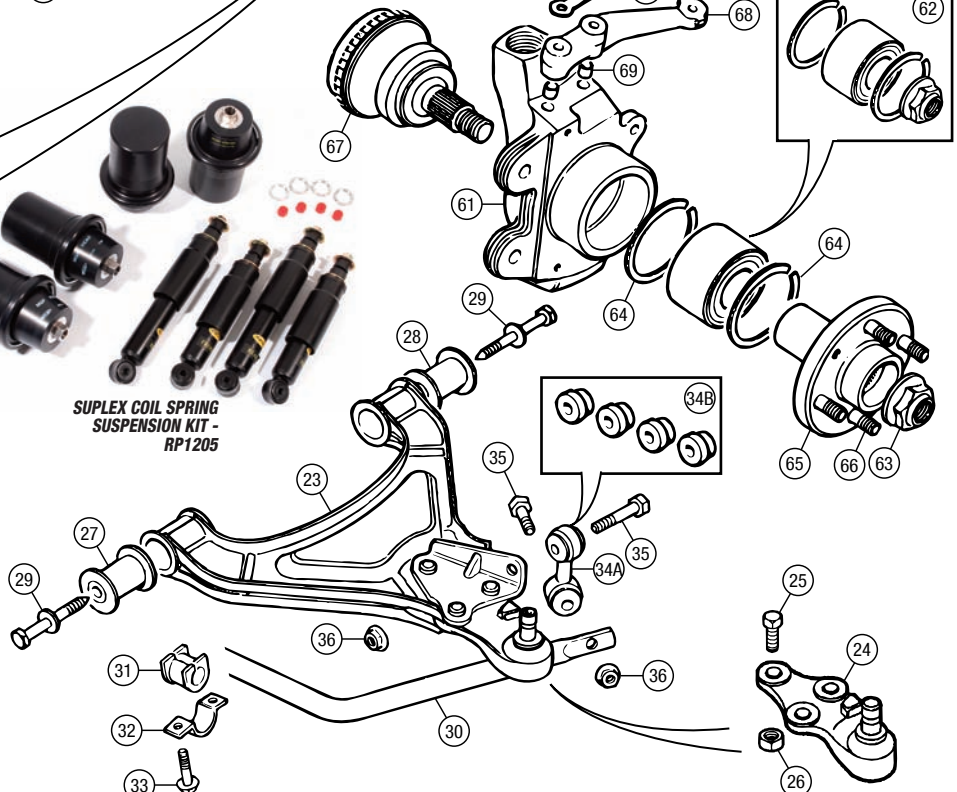
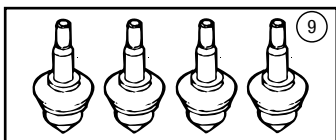
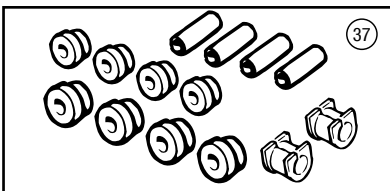
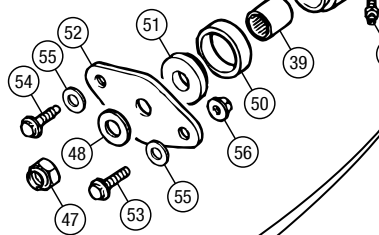
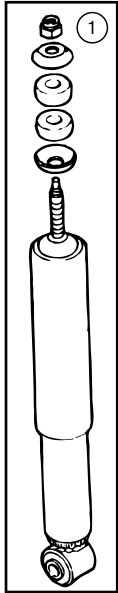
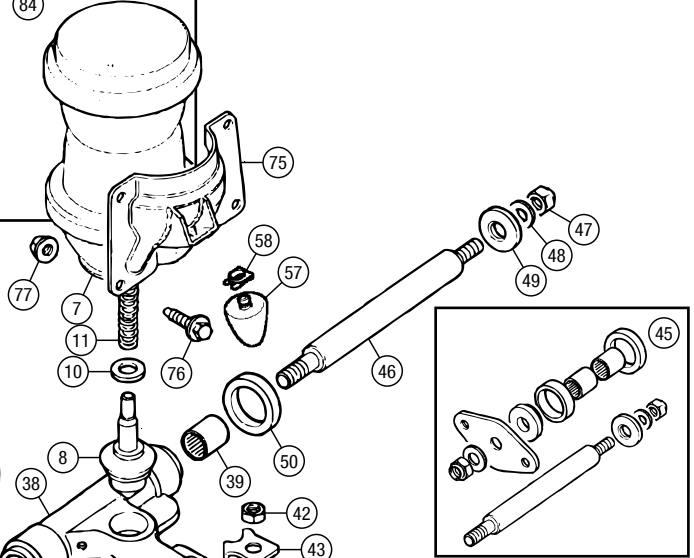
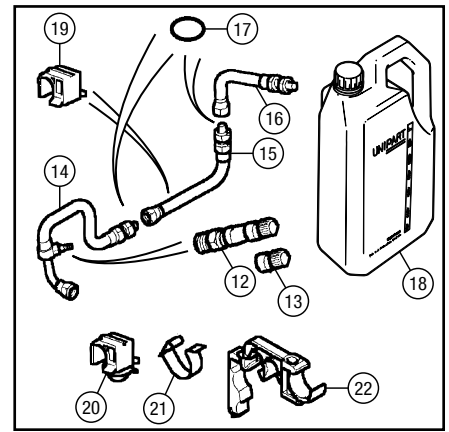
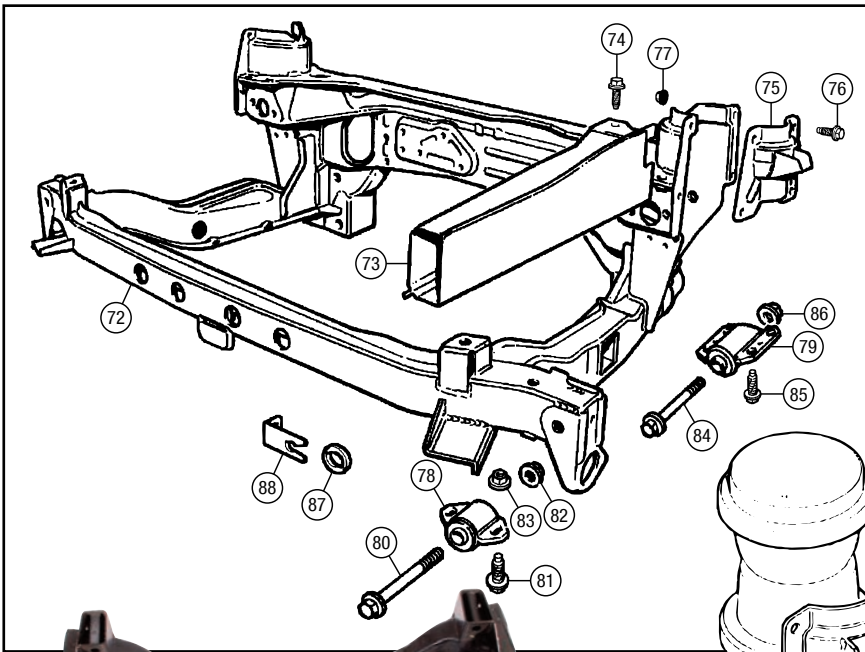
61	SWIVEL HUB, front:		
	Less bearing. Suitable for ABS and non-ABS fitted cars.		
	RH	1	RFB000200
	LH	1	RFB000210
62	BEARING KIT, front hub	2	RFM000050SLP
	Includes bearing, inner & outer circlips and hub nut.		
63	NUT, front hub	2	EJP7738LP
64	CIRCLIP, front hub bearing	4	ADU9665A
65	DRIVE FLANGE ASSEMBLY	2	RUB000150
	Includes wheel studs.		
66	STUD, wheel	8	FAM8419
67	STUB AXLE:		
	not ABS brakes	2	RFG100090
	ABS brakes	2	RFG100070
68	LEVER, steering:		
	to VIN YD512443 (not ABS) and YD512342 (ABS)		
	RH	1	QJF100100
	LH	1	QJF100110
	from VIN YD512444 (not ABS) and YD512343 (ABS)		
	RH	1	QJF000040
	LH	1	QJF000050
69	DOWEL, steering lever	4	FAM6924
70	SCREW, steering lever	4	BX110095M
71	WASHER, tab	2	WB112081L

Front Subframe - MGF

72	SUBFRAME ASSEMBLY, front	1	KGB100891
73	LONGITUDINAL MEMBER, subframe:		
	RH	1	KGK100500
	LH	1	KGK100510
74	SCREW, longitudinal member	6	KYP10009
75	PLATE, suspension unit mounting:		
	15" road wheels		
	RH	1	KGM10008
	LH	1	KGM10009
	16" & 17" road wheels		
	RH	1	KGM100200
	LH	1	KGM100210
76	SCREW, mounting plate	8	KYP10002L
77	NUT, mounting plate	4	FN108041
78	MOUNTING, front subframe, front:		
	Important note: early front mountings (cars up to VIN WD26658, 1997) have now been superseded by the later mountings (FAM9525). When replacing early front mountings with later items, the front subframe rear mountings must also be replaced with the later type - i.e. when fitting FAM9525 to pre-'97 vehicles, fit a pair along with a pair of KGE100150 rear mountings.		
	all models except Trophy	2	FAM9525
	Trophy	2	KGE000110
79	MOUNTING, front subframe, rear:		
	Refer to note under item 78.		
	all models except Trophy		
	up to VIN WD26658	2	KGE10001
	VIN WD26659 on	2	KGE100150
	Trophy	2	KGE000071
80	BOLT, front mounting, long:		
	Check length required.		
	145mm long	2	FB114291
	135mm long	2	KYG000260
	105mm long	2	KYG000110
81	SCREW, front mounting, short	4	YYG10005A
82	NUT, front mounting, for long bolt	2	FN114041
83	NUT, front mounting, for short screw	2	FN108041
84	BOLT, rear mounting, long:		
	Check length required.		
	155mm long	2	FB114317M
	105mm long	2	KYG000110
85	SCREW, rear mounting, short	6	KYP10004
86	NUT, rear mounting, for long bolt	2	FN114041
87	SPACER, snubber	2	KYF100220
88	SPACER BRACKET, lower arm cup	2	KYF100240



FRONT SUSPENSION - MGF





No.	DESCRIPTION	QTY REQ.	PART No.	No.	DESCRIPTION	QTY REQ.	PART No.	No.	DESCRIPTION	QTY REQ.	PART No.
-----	-------------	----------	----------	-----	-------------	----------	----------	-----	-------------	----------	----------

Shock Absorbers & Coil Springs - MG TF

For car sets of standard and uprated shock absorbers, car sets of springs and the Bilstein Comfort Handling Pack, please refer to the Suspension Packages section.

- 1 SHOCK ABSORBER, front:
 - standard suspension
 - up to VIN 5D639630, each 2 **RNB000880**
 - VIN 5D639631 on, each 2 **RNB001210**
 - sports suspension, each 2 **RNB000890**
- To check if your car has factory sports or standard suspension, measure from the centre of the lower shock absorber bush to the underside of the spring platform; 72mm = Sports Suspension 79mm = Standard Suspension. Factory sports suspension option is effectively lowered (10mm) & stiffened.
- uprated, Spax KSX, pair 1 **RP1024**
- 28-stage, on-car adjustable. Krypton gs pressurized. TUV approved.



- 2 BOLT, shock absorber, lower 2 **RYG000400**
- 3 BUMP STOP RUBBER 2 **RNH000140**
- 4 DUST COVER, shock absorber strut 2 **RNE000020**
- 5 CUP, bump stop 2 **RNE100121**
- 6 ROAD SPRING, front:
 - up to VIN 5D639630 2 **REB000670SLP**
 - VIN 5D639631 on 2 **REB001220**
- 7 RETAINER, front spring, upper 2 **RNC000021**
- 8 WASHER, cup 2 **RNQ000010**
- 9 WASHER, spacing 2 **RNS000050**
- 10 MOUNTING RUBBER, lower:
 - standard 2 **RNF100090**
 - polyurethane 2 **RNF100090LPOLY**
- 11 SPACER, lower mounting 2 **RNG000030**
- 12 NUT, locking 2 **RYH100331**
- 13 SPRING SEAT, upper (rubber) 2 **RNG000020**
- 14 MOUNTING RUBBER, upper:
 - standard 2 **RNF100090**
 - polyurethane 2 **RNF100090LPOLY**
- 15 WASHER, upper mounting rubber 2 **EGP1194**
- 16 NUT, nyloc 2 **NY210041**



Lower Arm & Anti Roll Bar - MG TF



- 17 SUSPENSION ARM ASSEMBLY, lower, incl. ball joint & bushes:
 - RH 1 **RBJ000741**
 - LH 1 **RBJ000751**
- 18 BALLJOINT, lower arm:
 - Included in lower arm assembly. Originally rivetted to lower arm; when replacing ball joint, rivets must be drilled out and replaced with bolts and nuts listed below. (Item 19 & 20). The bolts and nuts are included with the OE ball joints. Supplied separately with aftermarket joints
 - RH
 - OE 1 **RBK100401**
 - aftermarket 1 **RBK100401P**
 - LH
 - OE 1 **RBK100411**
 - aftermarket 1 **RBK100411P**



- 19 BOLT, ball joint to lower arm 6 **FT108301ML**
- 20 NUT, nyloc 6 **NY108051L**
- 21 BUSH, lower arm to subframe, front:
 - Standard bushes included in lower arm assembly.
 - standard, each 2 **RBX10025**
 - polyurethane, pair 1 **RBX10025POLY**
- 22 BUSH, lower arm to subframe, rear:
 - standard, each 2 **RBX000771**
 - polyurethane, pair 1 **RBX000771POLY**
- 23 BOLT, lower arm to subframe 4 **RYG10048**
- 24 ANTI ROLL BAR:
 - Note: the original anti roll bar for MG TFs up to VIN 3D617816 (up to mid 2003) is not available, but may be replaced by the later item RBL000232 (see below) so long as the original RH and LH anti roll bar links are also replaced by two of the later, unhandled links (RBM000171)
 - up to VIN 5D640464 1 **RBL000231**
 - from VIN 5D640464 on 1 **RBL000232**
- 25 BUSH, anti roll bar mounting (19mm):
 - standard, each 2 **RGX000920**
 - polyurethane, pair 1 **RGX000920POLY**
- 26 CLAMP, anti roll bar mounting 2 **RBU100101**
- 27 SCREW, clamp 4 **KYP10002L**
- 28A LINK ASSEMBLY, anti roll bar:
 - up to VIN 3D617816
 - 145mm long 2 **FB114291**
 - 135mm long 2 **KYG000260**
 - 105mm long 2 **KYG000110**
 - Note: see comment under anti roll bar for compatibility of anti roll bars and links.
 - RH 1 **RBM100101**
 - LH 1 **RBM100111**
 - from VIN 3D617817 on
 - Unhanded - two required per car. 2 **RBM000171**
- 28B LINK BUSH ONLY, set of 4, polyurethane 1 **RBM100101-11POLY**
- 29 BOLT, anti roll bar link 4 **FB110111**
- 30 NUT, anti roll bar link 4 **FN110041**

Polyurethane Bush Kit - MG TF

- For rear suspension polyurethane bush kit and car sets of polyurethane bushes, please refer to Suspension Packages.
- 31 POLYURETHANE BUSH KIT, front suspension:
 - Includes bushes for front lower arms and anti roll bar mounting (car set).
 - polyurethane bush kit 1 **RP1046**
 - polybush brand bush kit 1 **RP1046PB**

Upper Arm - MG TF

- 32 SUSPENSION ARM, upper:
 - Includes needle roller bearings and grease nipple.
 - RH 1 **RBJ000840**
 - LH 1 **RBJ000850**
- 33 NEEDLE ROLLER BEARING 4 **2A3497**
- 34 NIPPLE, grease 2 **234532**
- 35 BALL JOINT KIT, upper 2 **RBK000101**
- 36 NUT (included in ball joint kit) 2 **RYH105610**
- 37 WASHER, tab (included in ball joint kit) 2 **KYF100240**
- 38 WASHER, lock (included in ball joint kit) 2 **NAM2470**
- 39 SHAFT KIT, upper arm:
 - Includes shaft, bearings, nuts, outer washers, thrust washer, seals, collar and retaining plate for one upper arm.
 - inc. original parts 2 **RBR000020K**
 - inc. aftermarket parts 2 **RBR000020KP**
- 40 SHAFT, upper suspension arm 2 **RBR000020**
- See also item 39.
- 41 NUT, shaft 4 **NV608041**
- 42 WASHER, outer 4 **FAM9267**
- 43 THRUST WASHER, shaft 2 **RDB000010**
- 44 SEAL, shaft 4 **RYX000030**
- 45 COLLAR, shaft 2 **FAM7789**
- 46 PLATE, shaft retaining 2 **2A4327**
- 47 SCREW, shaft retaining plate 4 **FS106167**
- 48 WASHER, plain 4 **WA106042**
- 49 NUT, shaft retaining plate 4 **FX106041**

Front Hub - MG TF

- 50 SWIVEL HUB, front:
 - Less bearing. Suitable for ABS and non-ABS fitted cars.
 - RH 1 **RFB000200**
 - LH 1 **RFB000210**
- 51 BEARING KIT, front hub 2 **RFM000050SLP**
- Includes bearing, inner & outer circlips and hub nut.
- 52 NUT, front hub 2 **EJP7738LP**
- 53 CIRCLIP, front hub bearing 4 **ADU9665A**
- 54 DRIVE FLANGE ASSEMBLY 2 **RUB000150**
- Includes wheel studs.
- 55 STUD, wheel 8 **FAM8419**
- 56 STUB AXLE:
 - not ABS brakes 2 **RFG100090**
 - ABS brakes 2 **RFG100070**
- 57 LEVER, steering:
 - RH 1 **QJF000040**
 - LH 1 **QJF000050**
- 58 DOWEL, steering lever:
 - to VIN 5D639630 4 **FAM6924**
 - from VIN 5D639631 4 **RFL000010**
- 59 SCREW, steering lever 4 **BX110095M**
- 60 WASHER, tab 2 **WB112081L**

Front Subframe - MG TF

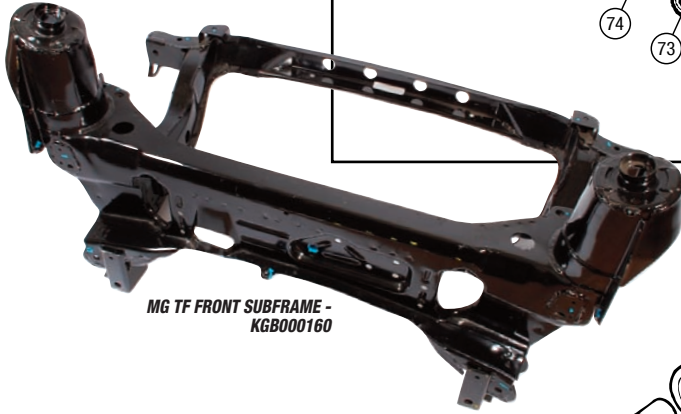
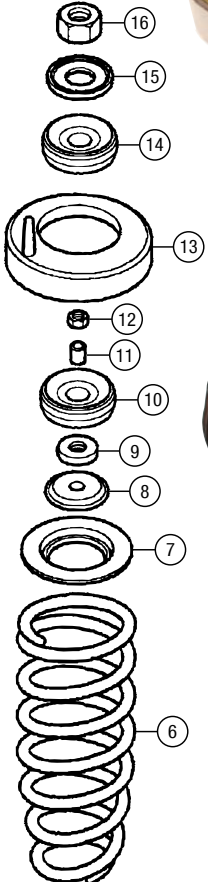
- 61 SUBFRAME ASSEMBLY, front 1 **KGB000160**
- 62 LONGITUDINAL MEMBER, subframe:
 - RH 1 **KGK100500**
 - LH 1 **KGK100510**
- 63 SCREW, longitudinal member 6 **KYP10009**
- 64 MOUNTING, front subframe, front 2 **KGE000110**
- 65 MOUNTING, front subframe, rear 2 **KGE000071**
- 66 BOLT, mounting, long, front:
 - Check length required.
 - 145mm long 2 **FB114291**
 - 135mm long 2 **KYG000260**
 - 105mm long 2 **KYG000110**
- 67 BOLT, mounting, long, rear:
 - Check length required.
 - 155mm 2 **FB114317M**
 - 105mm 2 **KYG000110**
- 68 SCREW, mounting, short, front 4 **YYG10005A**
- 69 SCREW, mounting, short, rear 6 **KYP10004**
- 70 NUT, mounting, front, for long bolt 2 **FN114041**
- 71 NUT, mounting, front, for short screw 2 **FN108041**
- 72 NUT, mounting, rear, for long bolt 2 **FN114041**
- 73 SPACER, snubber 2 **KYF100220**
- 74 SPACER BRACKET, lower arm cup 2 **KYF100240**
- 75 BRACE, front subframe:
 - up to VIN 3D618325
 - RH 1 **KGZ000040**
 - LH 1 **KGZ000050**
 - from VIN 3D618326 on
 - RH 1 **KGZ000060**
 - LH 1 **KGZ000070**



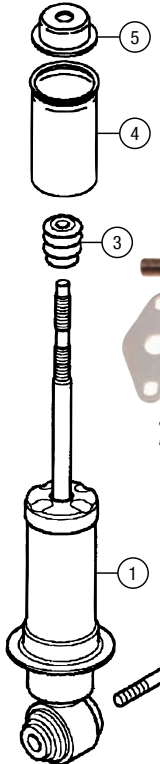
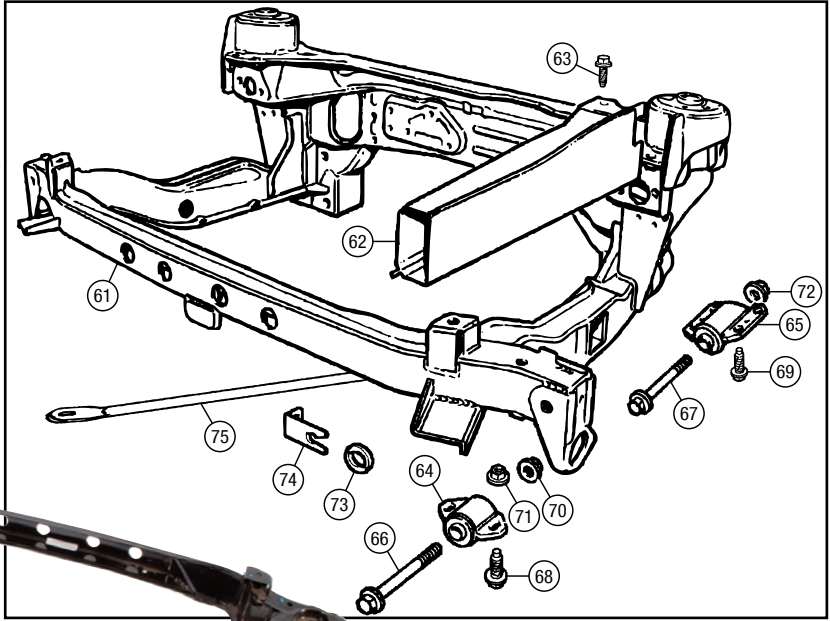
FRONT SUSPENSION - MG TF



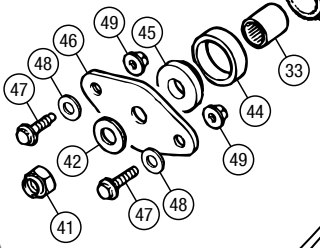
WHEEL BEARING KIT - RFM000050SLP



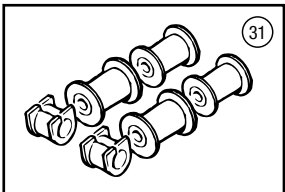
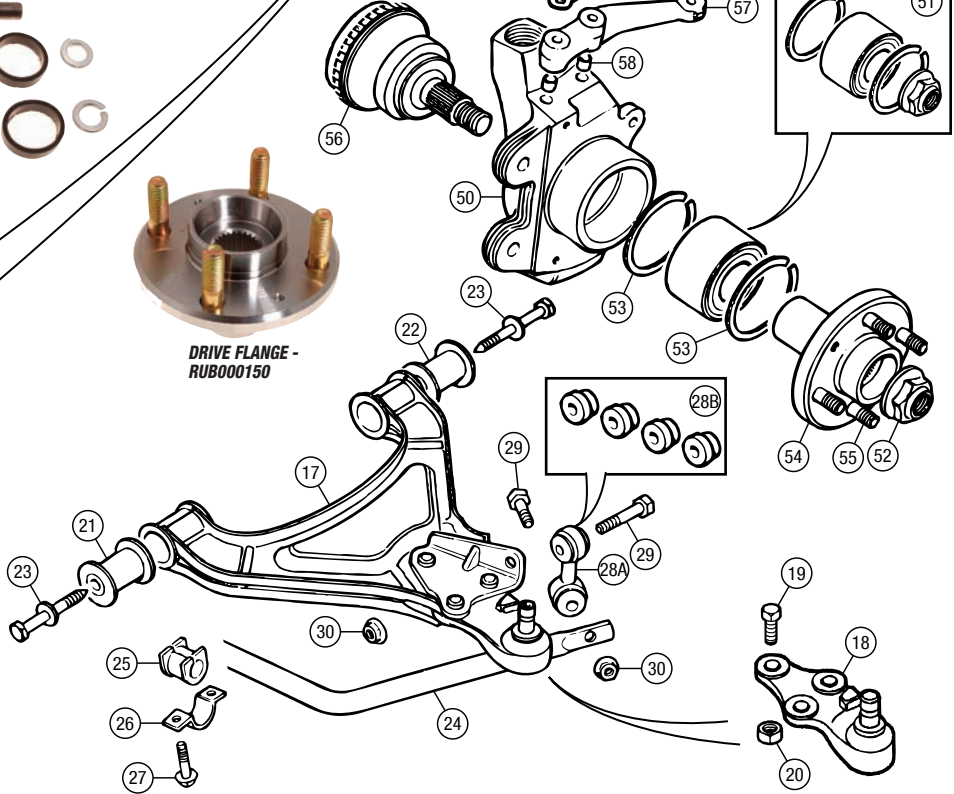
MG TF FRONT SUBFRAME - KGB000160



SHAFT KIT UPPER ARM - RBR000020KP



DRIVE FLANGE - RUB000150



ORDER

BY PHONE: 01522 568000 / ON LINE: www.rimmerbros.co.uk / E-MAIL: mgrover@rimmerbros.co.uk



REAR SUSPENSION - MGF

No. DESCRIPTION QTY REQ. PART No.

Shock Absorbers - MGF

For car sets of standard and uprated shock absorbers, please refer to the Suspension Packages section.

1	SHOCK ABSORBER, rear:		
	standard, each	2	RPD000180
	uprated		
	Gaz, pair	1	RP1023GAZ
	Oil-filled, on-car adjustable.		
	Spax, pair	1	RP1023SPAX
	28-stage, on-car adjustable.		
	Krypton gas pressurized. TUV approved.		
2	BOLT, shock absorber, lower	2	FB110221L
3	SPACER, lower bolt	2	RNG10001
4	BUSH AND WASHER KIT, lower	2	RPM100090
5	BUSH, lower:		
	rubber, each	2	NAM9017
	Included in bush & washer kit.		
	polyurethane, each	2	NAM9017POLY
6	WASHER, cup, bush supporting, to upper arm	2	NAM1290
7	WASHER, cup, bush supporting, to nut (from VIN XD507465 on)	2	RYF100430
8	NUT, shock absorber, lower	2	GHF233

Hydragas Unit - MGF

9	HYDRAGAS UNIT, rear:		
	all models except Trophy	2	RPJ100020
	Trophy	2	RPJ000010
-	HYDROLASTIC FLUID, 5 litre:		
	OE	A/R	VDS000030
	aftermarket	A/R	S3SHHF5
10	KNUCKLE JOINT, lower, standard	2	RGG001219EVA
11	KNUCKLE JOINT, lower, ride height lowering:		
	Special knuckle joints to lower ride height by 30mm.		
	Once fitted, car will require front and rear wheel alignment check and adjustment. Not for use with Suplex coil spring kit.		
	car set of four	1	RP1484
	replacement joint, each	4	RP1484SINGLE
12	SPACER, knuckle joint:		
	2mm	A/R	NAM2109
	2.3mm	A/R	RPL100080
13	SPRING, compression	2	NAM9013

Suplex Coil Spring Kit - MGF

From Germany comes the Suplex MGF Suspension Kit, designed and manufactured to be fitted as a complete system, replacing the original Hydragas displacers and shock absorbers with new coil spring units (utilising the original pressed steel Hydragas mounting plates) and new matching shock absorbers.

Fitting the kit is within the capability of an owner who is competent and familiar with working on many aspects of their car beyond simple servicing, and who has a comprehensive selection of tools and good working facilities. The kit includes four spring units (front and rear), four non-adjustable shock absorbers and comprehensive fitting instructions. It is not suitable for lowered suspension.

SUPLEX COIL SPRING SUSPENSION KIT 1 RP1205
For photograph and further information, refer to page 47.

Lower Arm, Locating Rods & Anti Roll Bar - MGF

14	SUSPENSION ARM ASSEMBLY, lower:		
	The standard MGF lower suspension arm is a heavy, cast steel item with no adjustment for camber. We also offer a pair of fully-adjustable lower arms, made from billet aluminium, which also offers a substantial weight saving (0.9kg compared to 2kg of the standard unit). The design allows for use of polyurethane bushes.		
	standard, each	2	RGG103680
	adjustable, pair	1	RGG103680ADJ
15	BUSH, lower arm to subframe:		
	standard, each	2	RBX10025
	polyurethane, pair	1	RBX10025POLY
16	BOLT, lower arm to subframe	2	RYG10048
17	BUSH, lower arm to hub:		
	standard, each	2	RGX100470
	polyurethane, pair	1	RGX100470POLY
18	BOLT, lower arm to hub	2	RYG100820
19	WASHER, plain	4	WJ112001
20A	TIE BAR ASSY	2	RGB100540
	Includes bushes and bush support washers.		
20B	TIE BAR EYE BUSH ONLY, pair	1	RGB100540BPOLY
	Car set. Polyurethane.		
20C	TIE BAR OVERHAUL KIT	1	RGB100540PK
	Car set. Includes polyurethane bushes for eye and arm location, washers, nuts and mounting bolts.		

No. DESCRIPTION QTY REQ. PART No.

21	BUSH, tie bar locating:		
	standard, each	4	RGX100480
	polyurethane, car set	1	RGX100480POLY
22	WASHER, bush support, front, 3.5mm thick	2	RYF100260
23	WASHER, bush support, rear, 2.5mm thick	2	RYF100250
24	NUT, tie bar	2	FX112057
25	BOLT, tie bar	2	FB110101
26	TRACK CONTROL ROD ASS'Y	2	RGZ100051
27	BOLT, track control rod	2	RYG10048
28	WASHER, plain	2	WA112081
29	NUT, nyloc, track control rod	2	NY210041
30	ANTI ROLL BAR, rear	1	RGB100361
31	BUSH, anti roll bar mounting (17mm):		
	standard, each	2	RGX10006
	polyurethane, pair	1	RGX10006POLY
32	CLAMP, anti roll bar mounting	2	EGP1714
33	BRACKET, anti roll bar mounting	2	RGU100370
34	LINK, clamp to bracket	4	FN108041
35	LINK ASSEMBLY, anti roll bar	2	RGD100180
	Includes bushes and distance tubes.		
36	BUSH, anti roll bar link:		
	standard, each	4	21A1230
	polyurethane, set of 4	1	21A1230POLY
37	DISTANCE TUBE, bush	4	FAM5909
38	BOLT, anti roll bar link	4	FB110101
39	NUT, anti roll bar link	4	FN110041
40	BRACKET, link to hub:		
	RH	1	RGU100221
	LH	1	RGU100231
41	SCREW, bracket to hub	4	FS110251L

Polyurethane Bush Kit - MGF

For front suspension polyurethane bush kit and car sets of polyurethane bushes, please refer to Suspension Packages.

42	POLYURETHANE BUSH KIT, rear suspension:		
	Includes bushes for rear lower arms (inner & outer), tie bar (eye & location) and anti-roll bar (links & mounting), car set.		
	polyurethane bush kit	1	RP1047
	polybush brand bush kit	1	RP1047PB

Upper Arm & Bump Stops - MGF

43	SUSPENSION ARM, upper:		
	Includes needle roller bearings and grease nipple.		
	RH	1	RBJ101200
	LH	1	RBJ101210
44	NEEDLE ROLLER BEARING	4	2A3497
45	NIPPLE, grease	2	234532
46	BALL JOINT KIT, upper	2	RBG000020SLP
47	NUT (included in ball joint kit)	2	ADU3882
48	WASHER, tab (included in ball joint kit)	2	RDB10001
49	WASHER, lock (included in ball joint kit)	2	NAM2470
50	SHAFT KIT, upper arm, all models:		
	Includes shaft, bearings, nuts, outer washers, thrust washer, seals, collar and retaining plate for one upper arm.		
	inc. original parts	2	RBR000020K
	inc. aftermarket parts	2	RBR000020KP
51	SHAFT, upper suspension arm	2	RBR000020
	See also item 50.		
52	NUT, shaft	4	NV608041
53	WASHER, outer	4	FAM9267
54	THRUST WASHER, shaft	2	RDB000010
55	SEAL, shaft	4	RYX000030
56	COLLAR, shaft	2	FAM7789
57	PLATE, shaft retaining	2	2A4327
58	SCREW, shaft retaining plate, large	2	FS106167
59	SCREW, shaft retaining plate, small	2	RYP10001
60	WASHER, plain	4	WA112081
61	NUT, shaft retaining plate	2	FX106041
62	BUMP STOP RUBBER:		
	standard wheels	2	NAM9226
	16" or 17" wheels	2	RNV100050
63	CLIP, bump stop	2	RBZ10001
64	REBOUND STOP RUBBER	2	2A4267SLP
65	SCREW, rebound stop	2	PMZ308

No. DESCRIPTION QTY REQ. PART No.

Driveshaft & Rear Hub - MGF

66	DRIVESHAFT ASSEMBLY (inner shaft and joint):		
	manual, RH		
	new, outright	1	TDC100630
	reconditioned, exchange	1	TDC100630E
	manual, LH		
	new, outright	1	TDC100640
	reconditioned, exchange	1	TDC100640E
	automatic		
	RH, new, outright	1	TDC000100
	LH, new, outright	1	TDC000110
67	GAITER KIT, driveshaft inner	2	ZUA001150
68	DYNAMIC DAMPER, RH driveshaft	1	TDF10015
	RH driveshaft only. Included in driveshaft assembly.		
69	SNAP RING, driveshaft to differential:		
	manual	2	ADU8050
	automatic	2	TDL10008
70	CONSTANT VELOCITY JOINT:		
	non-ABS fitted cars	2	TFP000081
	ABS fitted cars	2	TFB000151
71	GAITER, constant velocity joint	2	ZUA000910
72	HUB, rear:		
	Less bearing. Suitable for ABS and non-ABS fitted cars.		
	RH	1	RLH101100
	LH	1	RLH101110
73	BEARING KIT, rear hub	2	RFM000050SLP
	Includes bearing, inner & outer circlips and hub nut.		
74	NUT, rear hub	2	EJP7738LP
75	CIRCLIP, rear hub bearing	4	ADU9665A
76	DRIVE FLANGE ASSEMBLY	2	RUB000150
	Includes wheel studs.		
77	STUD, wheel	8	FAM8419

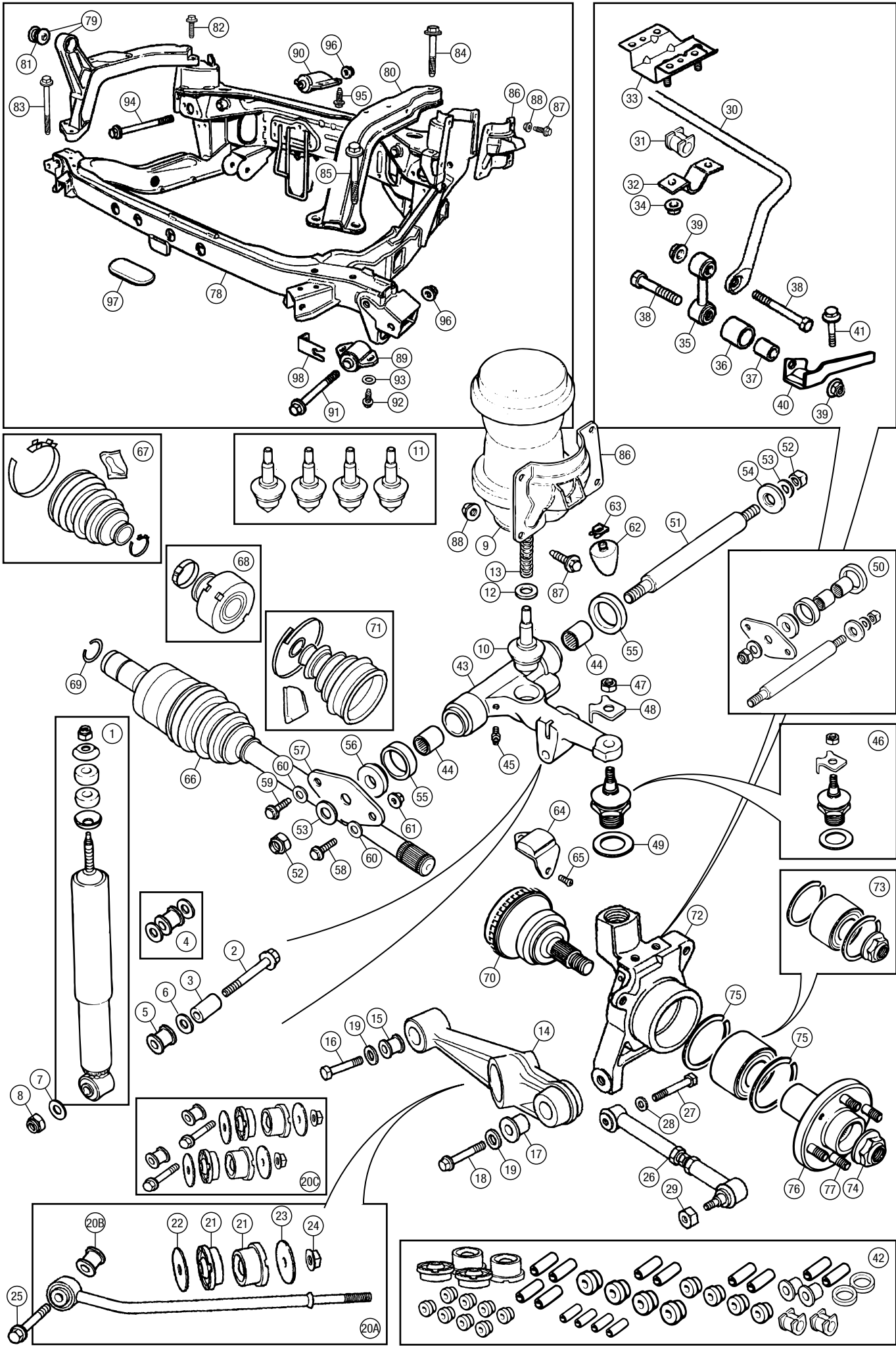
Rear Subframe - MGF

78	SUBFRAME ASSEMBLY, rear	1	KHB100922
79	LONGITUDINAL MEMBER, subframe, RH (includes bush)	1	KHL100141
80	LONGITUDINAL MEMBER, subframe, LH:		
	up to VIN XD511058	1	KHL100170
	from VIN XD511059 on	1	KHL100190
81	BUSH, RH longitudinal member:		
	standard	1	KKF000040
	polyurethane	1	KKF000040POLY
82	BOLT, longitudinal member, RH, short, rear	2	FS110351M
83	BOLT, longitudinal member, RH, long, front	2	FB110181M
84	BOLT, longitudinal member, LH, short, rear	2	KYG10032
85	BOLT, longitudinal member, LH, long, front	2	CRC5740
86	PLATE, suspension unit mounting:		
	RH	1	KGM10008
	LH	1	KGM10009
87	SCREW, mounting plate	8	KYP10002L
88	NUT, mounting plate	4	FN108041
89	MOUNTING, rear subframe, front:		
	Important note: early front mountings (cars up to VIN WD26658, 1997) have now been superseded by the later mountings (FAM9525). When replacing early front mountings with later items, the rear subframe rear mountings must also be replaced with the later type - i.e. when fitting FAM9525 to pre-'97 vehicles, fit a pair along with a pair of KGE100150 rear mountings.		
	all models except Trophy	2	FAM9525
	Trophy	2	KGE000110
90	MOUNTING, rear subframe, rear:		
	Refer to note under item 89.		
	all models except Trophy		
	up to VIN WD26658	2	KGE10001
	VIN WD26659 on	2	KGE100150
	Trophy	2	KGE000071
91	BOLT, front mounting, long:		
	Check length required.		
	145mm long	2	FB114291
	135mm long	2	KYG000260
	105mm long	2	KYG000110
92	SCREW, front mounting, short	4	KYP10002L
93	WASHER, plain, short screw	4	WJ108006
94	BOLT, rear mounting, long:		
	Check length required.		
	145mm long	2	FB114291
	135mm long	2	KYG000260
	105mm long	2	KYG000110
95	SCREW, rear mounting, short	6	KYP10004
96	NUT, long mounting bolt	4	FN114041
97	GROMMET, rear subframe	2	KGN10002
98	SPACER BRACKET, lower arm cup	2	KYF100240

ORDER BY PHONE: 01522 568000 / ON LINE: www.rimmerbros.co.uk / E-MAIL: mgrover@rimmerbros.co.uk



REAR SUSPENSION - MGF



ORDER BY PHONE: 01522 568000 / ON LINE: www.rimmerbros.co.uk / E-MAIL: mgrover@rimmerbros.co.uk



No. DESCRIPTION QTY REQ. PART No.

Shock Absorbers & Coil Springs - MG TF

For car sets of standard and uprated shock absorbers, car sets of springs and the Bilstein Comfort Handling Pack, please refer to the Suspension Packages section.



REAR SHOCK ABSORBER - RP000610

- 1 SHOCK ABSORBER, rear:
 - standard suspension
 - up to VIN 5D639630, each 2 **RPD000610**
 - VIN 5D639631 on, each 2 **RPD000730**
 - sports suspension, each 2 **RPD000620**
 - Factory option lowered (10mm) & stiffened.
 - uprated, Spax KSX, pair 1 **RP1025**
 - 28-stage, on-car adjustable.
 - Krypton gs pressurized. TUV approved.



REAR SHOCK ABSORBERS, UPRATED SPAX KSX - RP1025

- 2 BOLT, shock absorber, lower 2 **RYG000400**
- 3 BUMP STOP RUBBER:
 - up to VIN 5D639630 2 **RNH000140**
 - from VIN 5D639631 on 2 **RNH000180**
- 4 DUST COVER, shock absorber strut 2 **RNE000020**
- 5 CUP, bump stop:
 - up to VIN 5D639630 2 **RNE100121**
 - from VIN 5D639631 on 2 **RNE000030**
- 6 ROAD SPRING, rear:
 - up to VIN 5D639630 2 **RKB000521**
 - VIN 5D639631 on 2 **RKB000880**
- 7 RETAINER, rear spring, upper 2 **RNC000021**
- 8 WASHER, cup 2 **RNQ000010**
- 9 WASHER, spacing 2 **RPY000090**
- 10 MOUNTING RUBBER, lower:
 - standard 2 **RNF100090**
 - polyurethane 2 **RNF100090LPOLY**
- 11 SPACER, lower mounting 2 **RNG000030**
- 12 NUT, locking 2 **RYH100331**
- 13 SPRING SEAT, upper (rubber) 2 **RPV000031**
- 14 MOUNTING RUBBER, upper:
 - standard 2 **RNF100090**
 - polyurethane 2 **RNF100090LPOLY**
- 15 WASHER, upper mounting rubber 2 **EGP1194**
- 16 NUT, nyloc 2 **NY210041**

Lower Arm, Trailing Links & Anti Roll Bar - MG TF

- 17 TRAILING ARM ASSEMBLY, lower:
 - Trailing arm assemblies include the anti roll bar link.
 - RH
 - up to VIN 2D605200 1 **RGG000241**
 - from VIN 2D605201 on 1 **RGG000243**
 - LH
 - up to VIN 2D605200 1 **RGG000251**
 - from VIN 2D605201 on 1 **RGG000253**
- 18 BOLT, lower arm to bracket 2 **FC112187A**
- 19 BOLT, lower arm to hub:
 - up to VIN 4D630350 4 **RYG000410**
 - from VIN 4D630351 on 4 **RYG000411**
- 20A COMPLIANCE BUSH & BRACKET ASSEMBLY:
 - RH 1 **RGU000240**
 - LH 1 **RGU000250**
- 20B COMPLIANCE BUSH ONLY 1 **RGU000240-50POLY**
 - Trailing arm to body.
 - Replacement bush and washer in polyurethane. Car set.
- 21A TRAILING LINK ASSY, rear, short
 - Adjustable. May be replaced by later non-adjustable type, but must be replaced as a pair.
 - up to VIN 4D620745 2 **RGD000570**

No. DESCRIPTION QTY REQ. PART No.

- 21B TRAILING LINK (SHORT) INNER BUSH ONLY,
 - Replacement bush in polyurethane.
 - car set, pair 1 **RGD000570POLYINNER**
- 21C TRAILING LINK (SHORT) OUTER BUSH ONLY,
 - Extended sleeve. Replacement bush in polyurethane.
 - car set, pair 1 **RGD000570POLYOUTER**
- 22A TRAILING LINK ASSY, rear, short
 - from VIN 4D620746 on 2 **RGD000571**
 - Non-adjustable. May be replaced by earlier adjustable type, but must be replaced as a pair.
- 22B TRAILING LINK (SHORT) INNER BUSH ONLY,
 - Replacement bush in polyurethane.
 - car set, pair 1 **RGD000570POLYINNER**
- 22C TRAILING LINK (SHORT) OUTER BUSH ONLY,
 - Extended sleeve. Replacement bush in polyurethane.
 - car set, pair 1 **RGD000570POLYOUTER**
- 23 TRAILING LINK ASSY, rear, long:
 - Toe adjusting. Includes angled inner bush and outer joint.
 - RH 1 **RGD000620**
 - LH 1 **RGD000630**
- 24 BOLT, short trailing link
 - Flanged head.
 - 4 **FC112161**
- 25 BOLT, long trailing link
 - Torx head.
 - 2 **RHT000020**
- 26 NUT, long trailing link 2 **RYH105610**
- 27 ANTI ROLL BAR, rear 1 **RGB000291**
- 28 BUSH, anti roll bar mounting (17mm):
 - standard, each 2 **RGX10006**
 - polyurethane, pair 1 **RGX10006POLY**
- 29 CLAMP, anti roll bar mounting 1 **EGP1714**
- 30 NUT, clamp securing 4 **FN108041**
- 31 LINK ASSEMBLY, anti roll bar:
 - Included in lower arm assembly.
 - RH 1 **RGD000660**
 - LH 1 **RGD000670**
- 32 BOLT, anti roll bar link to anti roll bar 2 **FB110101**
- 33 BOLT, anti roll bar link to lower arm 2 **FB110091L**
- 34 NUT, anti roll bar link 4 **FN110041**

Polyurethane Bush Kit - MG TF

For front suspension polyurethane bush kit and car sets of polyurethane bushes, please refer to Suspension Packages.

- 35 POLYURETHANE BUSH KIT, rear suspension:
 - Includes bushes for rear trailing arm to body, rear short trailing link (outer only) and anti-roll bar mountings.
 - NOTE: bushes for the rear short trailing link (inner bush) are not included and can be purchased separately (RGD000571POLYINNER)
 - polyurethane bush kit 1 **RP1047TF**
 - polybush brand bush kit 1 **RP1047TFPB**



MG TF REAR SUSPENSION POLYBUSH KIT - RP1047TFPB

Upper Arm - MG TF

- 36 SUSPENSION ARM, upper:
 - RH 1 **RGD000920**
 - LH 1 **RGD000930**
- 37A BALL JOINT KIT, upper 2 **RBK000091**
- 37B WASHER, lock (included in ball joint kit) 2 **NAM2470**
- 38 NUT (included in ball joint kit) 2 **RYH105610**
- 39 WASHER, tab (included in ball joint kit) 2 **RDB10001**
- 40 BOLT, upper arm pivot 2 **BH112321**
- 41 NUT, nyloc, pivot bolt 2 **NY112041**
- 42 WASHER, plain 2 **WA112081**
- 43 SPACER, upper arm, front (large) 2 **RLM000011**
- 44 SPACER, upper arm, rear (small) 2 **RLM000021**
- 45 PLATE, upper arm pivot 2 **2A4327**
- 46 SCREW, pivot plate 4 **FS106167**
- 47 NUT, pivot plate 2 **FX106041**



UPPER SUSPENSION ARMS

No. DESCRIPTION QTY REQ. PART No.

Driveshaft & Rear Hub - MG TF

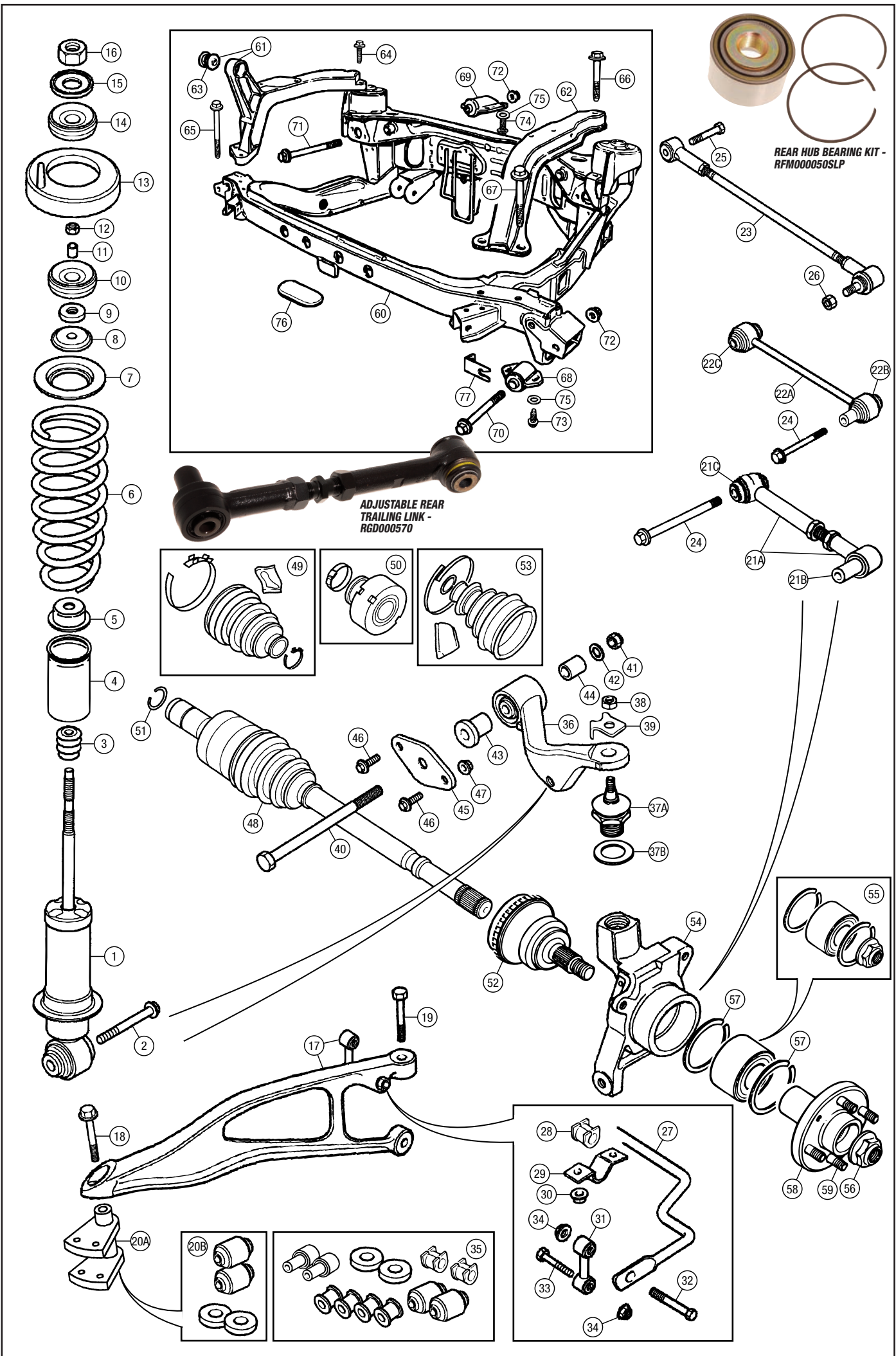
- 48 DRIVESHAFT ASSEMBLY (inner shaft and joint):
 - manual, RH
 - new, outright 1 **TDC100630**
 - reconditioned, exchange 1 **TDC100630E**
 - manual, LH
 - new, outright 1 **TDC100640**
 - reconditioned, exchange 1 **TDC100640E**
 - automatic
 - RH, new, outright 1 **TDC000100**
 - LH, new, outright 1 **TDC000110**
- 49 GAITER KIT, driveshaft inner 2 **ZUA001150**
- 50 DYNAMIC DAMPER, RH driveshaft 1 **TDF10015**
 - RH driveshaft only. Included in driveshaft assembly.
- 51 SNAP RING, driveshaft to differential:
 - manual 2 **ADU8050**
 - automatic 2 **TDL10008**
- 52 CONSTANT VELOCITY JOINT:
 - non-ABS fitted cars 2 **TFP000081**
 - ABS fitted cars 2 **TFB000151**
- 53 GAITER KIT, CV joint (outer) 2 **ZUA000910**
- 54 HUB, rear (less bearing):
 - RH 1 **RLH000320**
 - LH 1 **RLH000330**
- 55 BEARING KIT, rear hub 2 **RFM000050SLP**
 - Includes bearing, inner & outer circlips and hub nut.
- 56 NUT, rear hub 2 **EJP7738LP**
- 57 CIRCLIP, rear hub bearing 4 **ADU9665A**
- 58 DRIVE FLANGE ASSEMBLY 2 **RUB000150**
 - Includes wheel studs.
- 59 STUD, wheel 8 **FAM8419**

Rear Subframe - MG TF

- 60 SUBFRAME ASSEMBLY, rear 1 **KHB000070**
- 61 LONGITUDINAL MEMBER, subframe,
 - RH (includes bush) 1 **KHL100141**
- 62 LONGITUDINAL MEMBER, subframe,
 - LH 1 **KHL000010**
- 63 BUSH, RH longitudinal member:
 - standard 1 **KKF000040**
 - polyurethane 1 **KKF000040POLY**
- 64 BOLT, longitudinal member, RH, short,
 - rear 2 **FS110351M**
- 65 BOLT, longitudinal member, RH long,
 - front 2 **FB110181M**
- 66 BOLT, longitudinal member, LH short,
 - rear 2 **KYG10032**
- 67 BOLT, longitudinal member, LH long,
 - front 2 **CRC5740**
- 68 MOUNTING, rear subframe, front 2 **KGE000110**
- 69 MOUNTING, rear subframe, rear 2 **KGE000071**
- 70 BOLT, mounting, long, front:
 - Check length required.
 - 145mm long 2 **FB114291**
 - 135mm long 2 **KYG000260**
 - 105mm long 2 **KYG000110**
- 71 BOLT, mounting, long, rear:
 - Check length required.
 - 145mm long 2 **FB114291**
 - 135mm long 2 **KYG000260**
 - 105mm long 2 **KYG000110**
- 72 NUT, long mounting bolt 4 **FN114041**
- 73 SCREW, mounting, short, front 4 **KYP10002L**
- 74 SCREW, mounting, short, rear 6 **KYP10004**
- 75 WASHER, plain, short screw 4 **WJ108006**
- 76 GROMMET, rear subframe 2 **KGN10002**
- 77 SPACER BRACKET, lower arm cup 2 **KYF100240**



REAR SUSPENSION - MG TF



ORDER BY PHONE: 01522 568000 / ON LINE: www.rimmerbros.co.uk / E-MAIL: mgrover@rimmerbros.co.uk



SUSPENSION PACKAGES

No. DESCRIPTION QTY REQ. PART No. No. DESCRIPTION QTY REQ. PART No. No. DESCRIPTION QTY REQ. PART No.

SUSPENSION PACKAGES

MGF & MG TF Standard Shock Absorber Kits

MGF STANDARD SHOCK ABSORBER KIT, FRONT AND REAR (set of 4) RP1167
 Includes 2 front and 2 rear standard or factory specification shock absorbers. Hydragas suspension. Not for use with Suplex coil spring kit.



MG TF STANDARD SHOCK ABSORBER KIT, FRONT AND REAR (set of 4) RP1168
 Includes 2 front and 2 rear standard or factory specification shock absorbers. Standard suspension, up to VIN 5D639630.



MG TF STANDARD SHOCK ABSORBER KIT, FRONT AND REAR (set of 4) RP1169
 Includes 2 front and 2 rear standard or factory specification shock absorbers. Standard suspension, from VIN 5D639631 on.



MG TF FACTORY SPORTS SUSPENSION SHOCK ABSORBER KIT, FRONT AND REAR (set of 4) RP1170
 Includes 2 front and 2 rear factory sports specification shock absorbers. Factory option 10mm lowered and stiffened suspension.



MGF Suplex Coil Spring Kit



The Hydragas suspension on the MGF very successfully blends tight, sports car handling with a comfortable ride. It has never, however, been a cheap system to service or repair and owners without access to the special pump required to charge and discharge the suspension with Hydrolastic fluid are effectively excluded from doing much of the work themselves. Add to that the fact that availability of some of the critical components has recently become patchy (to say the least) and it doesn't take long to work out that there are MGFs out there being kept off the road by Hydragas suspension system faults. Now, from Germany comes a great solution to the problems of Hydragas suspension. The Suplex MGF Suspension Kit, designed and manufactured to be fitted as a complete system, replaces the original Hydragas displacers and shock absorbers with new coil spring units (utilising the original pressed steel Hydragas mounting plates) and new matching shock absorbers. The kit provides handling and ride characteristics somewhere between that of the MGF and the firmer, sportier ride of the coil sprung MG TF. Fitting the kit is within the capability of an owner who is competent and familiar with working on many aspects of their car beyond simple servicing, and who has a comprehensive selection of tools and good working facilities. The kit includes four spring units (front and rear), four non-adjustable shock absorbers and comprehensive fitting instructions. Note that while the spring units are adjustable, this feature is really intended as a fitting aid and not as a means of altering the ride height of the car. Note also that the Suplex kit is not suitable for cars with lowered suspension knuckle joints.

SUPLEX COIL SPRING SUSPENSION KIT **RP1205**

MGF Uprated Shock Absorber Kits

GAZ UPDATED SHOCK ABSORBER KIT, FRONT AND REAR (set of 4) RP1171GAZ
 Hydragas suspension - not for use with Suplex coil spring kit. Oil-filled, on-car adjustable.



SPAX KSX UPDATED SHOCK ABSORBER KIT, FRONT AND REAR (set of 4) RP1171SPAX
 Hydragas suspension - not for use with Suplex coil spring kit. 28-stage, on-car adjustable, Krypton gas pressurized. TUV approved.



GAZ UPDATED SHOCK ABSORBER KIT, FRONT PAIR RP1023GAZ
 Hydragas suspension - not for use with Suplex coil spring kit. Oil-filled, on-car adjustable.



SPAX KSX UPDATED SHOCK ABSORBER KIT, FRONT PAIR RP1023SPAX
 Hydragas suspension - not for use with Suplex coil spring kit. 28-stage, on-car adjustable, Krypton gas pressurized. TUV approved.



GAZ UPDATED SHOCK ABSORBER KIT, REAR PAIR RP1023GAZ
 Hydragas suspension - not for use with Suplex coil spring kit. Oil-filled, on-car adjustable.



SPAX KSX UPDATED SHOCK ABSORBER KIT, REAR PAIR RP1023SPAX
 Hydragas suspension - not for use with Suplex coil spring kit. 28-stage, on-car adjustable, Krypton gas pressurized. TUV approved.



ORDER BY PHONE: 01522 568000 / ON LINE: www.rimmerbros.co.uk / E-MAIL: mgrover@rimmerbros.co.uk



SUSPENSION PACKAGES

MG TF Uprated Shock Absorber Kits

SPAX KSX UPATED SHOCK ABSORBER KIT, FRONT AND REAR (set of 4) RP1172SPAX
28-stage, on-car adjustable, Krypton gas pressurized. TUV approved.

SPAX KSX UPATED SHOCK ABSORBER KIT, FRONT PAIR RP1024
28-stage, on-car adjustable, Krypton gas pressurized. TUV approved.

SPAX KSX UPATED SHOCK ABSORBER KIT, REAR PAIR RP1025
28-stage, on-car adjustable, Krypton gas pressurized. TUV approved.

MG TF Comfort Handling Pack

If you have an MG TF built before 2005 (i.e. up to VIN 5D639630) and you find the handling superb - which it is - but the ride a bit too jittery and uncomfortable, this package is for you! Developed by MG Rover suspension engineers working together with the renowned Bilstein company, the Comfort Handling Pack replaces the standard shock absorbers with four premium quality Bilstein units specifically designed for the TF model.

Tried and tested by many MG owners, feedback from them confirms that the Comfort Handling Pack removes the harshness from the MG TF's ride - and provides a very noticeable improvement in handling, too.

MG TF COMFORT HANDLING PACK RP1175
MG TF up to VIN 5D639630. Includes four Bilstein shock absorbers.

MG TF Uprated Shock Absorber & Spring Kits

UPATED SHOCK ABSORBER AND SPRING KIT, SPAX KSX/XPOWER PRO EIBACH KIT RP1174
Combines 28-stage, on-car adjustable, Krypton gas pressurized Spax KSX shock absorbers with MG XPower Pro specification Eibach progressive rate lowered (-20-25mm) springs in one cost-effective package. Vehicle set, contains front and rear uprated shock absorbers plus front and rear uprated and lowered springs.

EIBACH SPRING KIT RP1173XP
MG XPower Pro specification Eibach lowered (-20-25mm) progressive rate springs. Ride quality is preserved whilst improving body control and roll. Vehicle set, contains 2 front and 2 rear uprated springs.

Polyurethane Bush Kits

Polyurethane bushes offer a significant improvement over traditional rubber bushes. Improved ride and handling, together with reduced road noise and vibration. Polyurethane bushes can also offer increased durability. We offer top quality polyurethane bush kits as well as the Polybush brand bush kits. Bush kits are supplied with a lubricant to aid installation. Individual bushes can be also purchased separately - refer to relevant section under MGF or MG TF suspension headings.

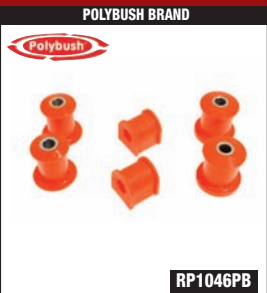
MGF POLYURETHANE BUSH KITS

MGF Front Bush Kit
Includes bushes for front lower arms and front anti-roll bar mounting. Car set.

Note: bushes for the front anti-roll bar links are not included and can be purchased separately (RBM100101-11POLY).



RP1046



RP1046PB

MG TF POLYURETHANE BUSH KITS

MG TF Front Bush Kit
Includes bushes for front lower arms and front anti-roll bar mounting. Car set.

Note: bushes for the front anti-roll bar links are not included and can be purchased separately (RBM100101-11POLY).



RP1046



RP1046PB

MGF Rear Bush Kit
Includes bushes for rear lower arms (inner & outer), tie bar (eye & location) and rear anti-roll bar (links & mountings). Car Set.



RP1047



RP1047PB

MG TF Rear Bush Kit
Includes bushes for rear trailing arm to body, rear short trailing link (outer only) and rear anti-roll bar mountings. Note: bushes for rear short trailing link (inner bush) are not included and can be purchased separately (RGD000571POLYINNER).



RP1047TF



RP1047TFPB

MGF Front & Rear Bush Kit
Includes both bush kits as listed above. Car set.



RP1048



RP1048PB

MG TF Front & Rear Bush Kit
Includes both bush kits as listed above. Car set.



RP1048TF



RP1048TFPB

ORDER

BY PHONE: 01522 568000 / ON LINE: www.rimmerbros.co.uk / E-MAIL: mgrover@rimmerbros.co.uk



Road Wheels - Genuine

We offer as far as possible the full range of genuine MG Rover alloy wheels with which to enhance and upgrade your MGF or MG TF. The alloy wheels shown here are designed specifically for the MGF and MG TF models, ensuring total compatibility and peace of mind in all situations. Please note that some wheels may now be no longer available and are shown here for reference purposes.

6J x 15" ALLOY WHEELS

1 6 SPOKE, 6J x 15" *Less centre cap and nuts.*



SILVER SPARKLE
MGF standard wheel up to VIN XD511058 (not VVC).

Each **RRC110471MNH**
Set of four **RRC110471MNHK**

2 6 SPOKE, 6J x 15" *Less centre cap and nuts.*



SILVER SPARKLE
MGF standard wheel from VIN XD511059 (not VVC or Trophy).
MG TF standard wheel up to VIN 5D639630 (not TF 160).

Each **RRC112832MNH**
Set of four **RRC112832MNHK**

3 10 SPOKE, 6J x 15" *Less centre cap and nuts.*

NO IMAGE AVAILABLE
Refer to illustration (item 3) on opposite page.

SILVER SPARKLE
MG TF standard wheel from VIN 5D639631 on (not TF 160).

Each **RRC005710MNH**
Set of four **RRC005710MNHK**

4 5 SPOKE, 6J x 15" *Less centre cap and nuts.*



SILVER SPARKLE
MGF VVC standard wheel up to VIN XD511058, also Limited Edition in Brooklands Green.

Each **RRC108060MNH**
Set of four **RRC108060MNHK**

5 8 SPOKE, 6J x 15" *Less centre cap and nuts.*



SILVER SPARKLE
MGF option from VIN XD511059 on (not VVC or Trophy).
MG TF option (not TF 160).

Each **RRC112882MNH**
Set of four **RRC112882MNHK**

7J x 16" ALLOY WHEELS

6 SQUARE 6-SPOKE, 7J x 16" *Less centre cap and nuts.*



SILVER SPARKLE
MGF VVC standard wheel from VIN XD511059 on (not Trophy).

Each **RRC113740MNH**
Set of four **RRC113740MNHK**

7 ROUND 6-SPOKE, 7J x 16" *Less centre cap and nuts.*



SILVER SPARKLE
MGF option from VIN XD511059 on. MG TF option.

Each **RRC110261MNH**
Set of four **RRC110261MNHK**

8 MULTISPOKE, 7J x 16" *Less centre cap and nuts.*



SILVER SPARKLE
MGF option from VIN XD511059 on, plus limited editions.

Each **RRC110460MNH**
Set of four **RRC110460MNHK**

CHARCOAL
MG TF Lightweight option.

Each **RRC110460LEH**
Set of four **RRC110460LEHK**

9 11 SPOKE, 7J x 16" *Less centre cap and nuts.*



SILVER SPARKLE
MGF Trophy and MG TF 160 standard wheel.
MG TF optional, plus limited editions.

Each **RRC001630MNH**
Set of four **RRC001630MNHK**

10 ULTRALITE 11 SPOKE, 7J x 16" *Less centre cap & nuts.*



SILVER SPARKLE
MGF option from VIN XD511059 on. MG TF option.

Each **RRC002040MNH**
Set of four **RRC002040MNHK**

CHARCOAL
MGF Trophy and MG TF 160 Lightweight option.

Each **RRC002040LEH**
Set of four **RRC002040LEHK**

11 11 SPOKE, 7J x 16" *Less centre cap and nuts.*



BLACK
MG TF optional, plus used as spare wheel on MG TF fitted with 7J x 16" wheels (not including cars with space saver spare wheel or deleted spare wheel option).

Each **RRC002630PMA**
Set of four **RRC002630PMAK**

SILVER SPARKLE MG TF optional.

Each **RRC002630MNH**
Set of four **RRC002630MNHK**

SHADOW CHROME
MG TF optional from VIN 4D627744 on.

Each **RRC002630MBM**
Set of four **RRC002630MBMK**

MG Motor MG TF 16" Alloy Wheels - Genuine



10-SPOKE, MG MOTOR TF 7J x 16"

MG MOTOR TF ALLOY WHEEL:

BLACK		
Each	4	500000002AAB
Set of four	1	500000002AABK4
SILVER SPARKLE		
Each	4	500000002CAD
Set of four	1	500000002CADK4
WHEEL NUT (Standard MGF/TF)		
Each	16	NAM9077
WHEEL CENTRE		
BLACK	4	DTC100630IAD
PRIMED (suitable for silver)	4	ZUA000800LML

Revolution 8 Spoke 15" Alloy Wheels



8-SPOKE, REVOLUTION 7J x 15"

Popular aftermarket wheel.

REVOLUTION ALLOY WHEEL:

SILVER		
Each	4	RP1608
Includes centre cap.		
Set of four	1	RP1608K4
Includes nuts & centre cap.		
WHEEL NUT (only)	16	RB7349
WHEEL CENTRE CAP (only)		
PLASTIC	4	RL1472PLASTIC
CHROME	4	RL1472CHROME
ALLOY	4	RL1472ALLOY

Wire Wheels

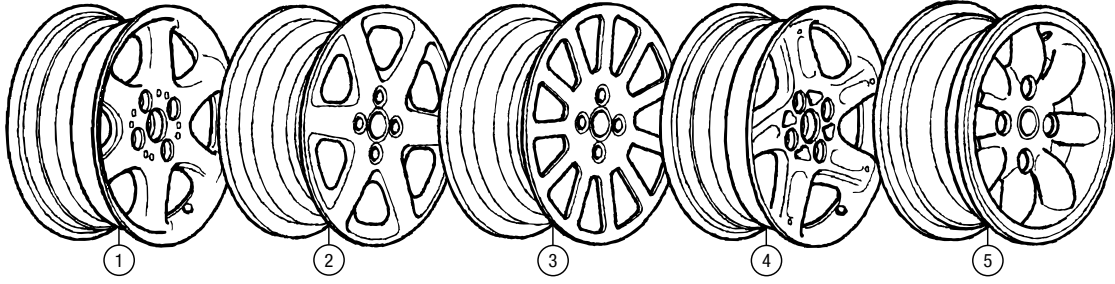


12 64-SPOKE, 7J x 16"

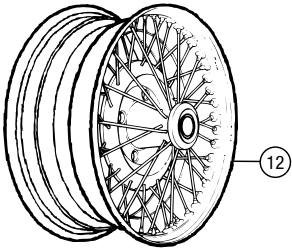
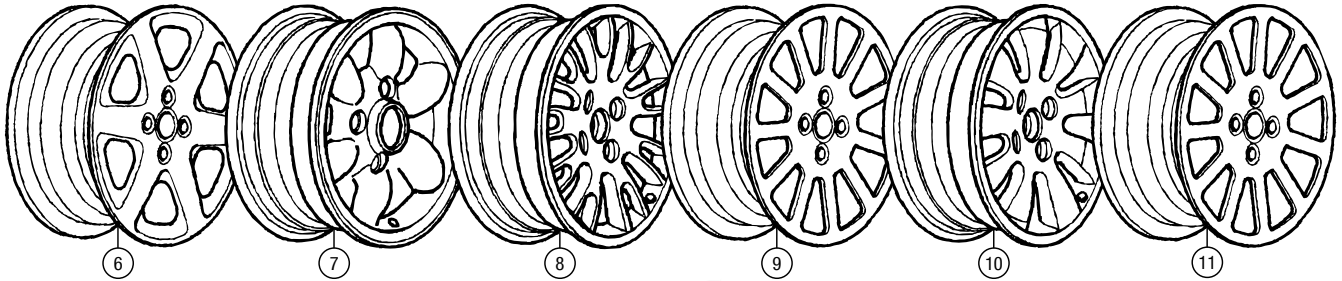
WIRE WHEEL, bolt-on:
Traditional style aftermarket wire wheel for MGF and MG TF. Bolts straight to the hub with no modifications required. 7J x 16" rim, 64 spoke construction, all in durable stainless steel. Designed to accept tubeless tyres. Includes nuts, centre cap & wrench.

Each	4	RP1106
Set of four	1	RP1106K

6J x 15" ALLOY WHEELS



7J x 16" ALLOY WHEELS



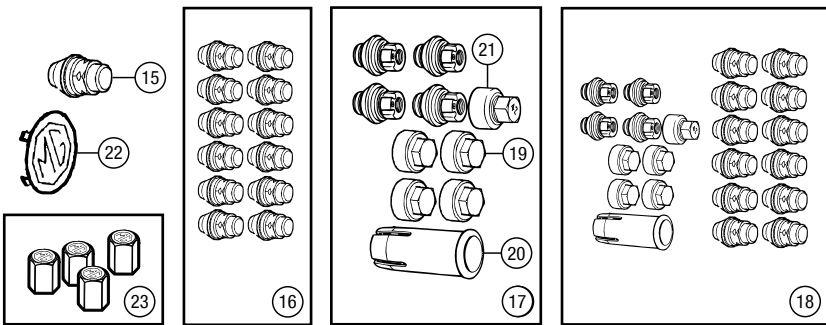
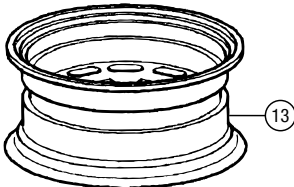
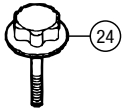
**16" 11-SPOKE MG TF
SHADOW CHROME WHEEL KIT -
RRC002630MBMK**



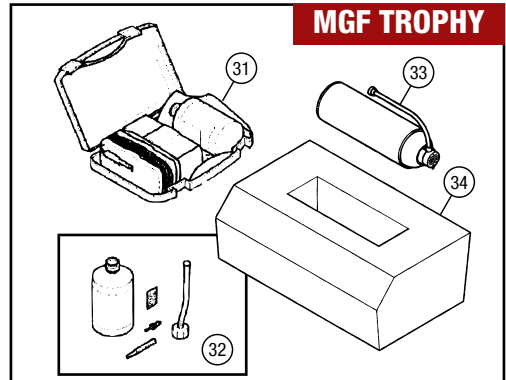
**16" 10-SPOKE MG TF
BLACK WHEEL KIT -
50000002AABK4**



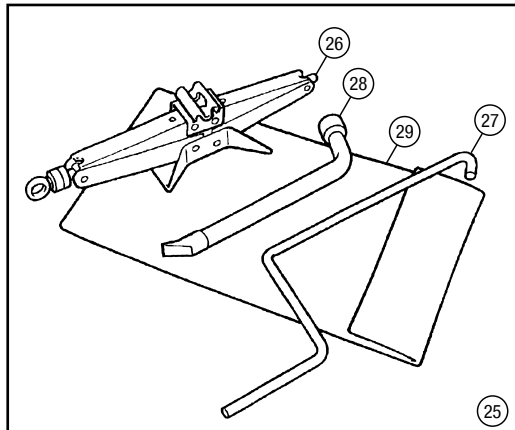
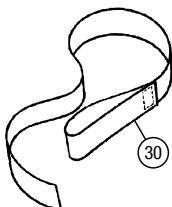
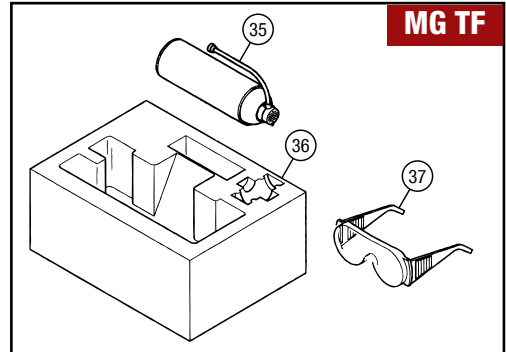
**16" 10-SPOKE MG TF
SILVER SPARKLE WHEEL KIT -
50000002CADK4**



MGF TROPHY



MG TF





No. DESCRIPTION QTY REQ. PART No.

Space Saver Spare Wheels

- 13 STEEL WHEEL, space saver spare, less nuts:
Orange, without tyre 1 **RRC001720EYP**
MGF with space saver spare wheel up to VIN YD525704
Black:
MGF with space saver spare wheel from VIN YD525705 on.
MG TF with space saver spare wheel.
with tyre 1 **RRC005370PMN**
without tyre 1 **NAM7199PMN**
- 14 DECAL, speed warning 1 **RRP100120**
Applied to space saver spare wheel.



STANDARD WHEEL NUT CAR SET OF 12 - **NAM9077K**

Wheel Nuts, Centre Caps & Valve Caps

- 15 WHEEL NUT, standard, each 12 **NAM9077**
- 16 WHEEL NUT, standard, set of 12 1 **NAM9077K**
- 17 WHEEL NUT, locking:
set of 4 1 **RRB100100**
MG Rover original equipment.
set of 4 1 **XPT000175ACC**
MG Rover genuine accessory.
- 18 WHEEL NUT, car set (incl. locking nuts) 1 **RP1176**
Set of 4 locking nuts (MG Rover accessory type) plus 12 standard nuts.



OE TYPE LOCKING WHEEL NUT CAR SET OF 4 - **RRB100100**

- 19 CAP, locking nut 4 **RRJ10001**
Included in MG Rover locking nut set RRB100100.
- 20 TOOL, locking nut cap removal 1 **KBP100050**
Included in MG Rover locking nut set RRB100100.
- 21 KEY SOCKET, locking nut removal:
Important note: please contact us with the letter code from your locking wheel nuts so that we can supply you with the correct key socket.
J53 1 **KBM100120**
N23 1 **KBM100160**



WHEEL CENTRE CAP - **DTC100630MNH**

- 22 WHEEL CENTRE CAP, 'MG' logo:
for Silver Sparkle wheels
except 11-spoke wheels 4 **DTC100630MNH**
All MGF models except Trophy.
All MG TF models except TF 160 and MG TF with optional 11-spoke silver sparkle wheels.
11-spoke wheels 4 **DTC000050MBA**
MGF Trophy, MG TF 160 and MG TF with optional 11-spoke silver sparkle wheels.
for Black wheels
except 11-spoke wheels 4 **DTC100630IAD**
All MGF models except Trophy.
All MG TF models except TF 160 and MG TF with optional 11-spoke silver sparkle wheels.
for Charcoal wheels
11-spoke wheels 4 **DTC000080LEH**
MGF Trophy and MG TF 160 with Lightweight option.
Multispoke wheel 4 **DTC100630LEH**
MG TF with Lightweight option.
for Shadow Chrome wheels
Optimum Silver 4 **DTC100630MVY**
MG TF with optional Shadow Chrome wheels from VIN 4D627744 on.
unpainted (fits most wheels) 4 **ZUA000800LML**
Primed ready to paint, includes silver/black MG logo.
- 23 VALVE CAPS, set of 4, 'MG' logo:
genuine MG Rover accessory 1 **RRF100060**
With brown and cream MG logo
aftermarket accessory
With black and silver MG logo
standard 1 **RRF100060P**
anti-theft (incl. removal tool) 1 **RRF100060PAT**



VALVE CAPS - **RRF100060**



VALVE CAPS - **RRF100060P**

ANTI-THEFT VALVE CAPS - **RRF100060PAT**

Wheel Accessories

- Pressure gauge, tyre, digital 1 **XPT000006ACAP**
- Tread depth gauge, tyre 1 **27298**
- Foot pump, tyre, double barrel 1 **GAT347**
- Air compressor:
Plugs into cigar lighter.
standard 1 **RX1580**
heavy duty 1 **RX1580HD**
- Holts 'Tyre Weld' aerosol, 400ml 1 **GAC9903X-400ML**
Instant puncture repair.
- Brush, wheel cleaning 1 **KACB101**



RX1580HD

RX1580

GAT347

XPT000006ACAP

KACB101

GAC9903X

27298

No. DESCRIPTION QTY REQ. PART No.

Tool Kit

- 24 BOLT, spare wheel retention:
Not cars with deleted spare wheel option.
not MGF Trophy or MG TF 160 1 **KTC100006**
MGF Trophy and MG TF 160 1 **KTC000040**
- 25 TOOL KIT:
Includes jack and handle, wheel nut wrench, tool bag and tool bag retaining strap.
MGF 1 **KBK000130F**
MG TF 1 **KBK000130TF**
- 26 JACK, scissor:
original, without handle 1 **KAJ100460**
replacement, with handle 1 **311346**
- 27 HANDLE, original scissor jack 1 **KAH100050**
- 28 WRENCH, wheel nut:
MGF 1 **KAL100040**
MG TF 1 **KAL10003**
- 29 BAG, tools 1 **RX1364**
- 30 STRAP, tool bag retention 1 **KBC100010**



TOOL KIT - **KBK000130TF**

Instant Mobility System

For MGF Trophy models with the curiously named (but in fact logical) 'delete spare wheel' option, a kit was provided to temporarily effect repair on most types of puncture that might be encountered, thus enabling the car to be 'limped' to a tyre repair workshop. Called the Instant Mobility System (IMS), the kit featured a high pressure cannister to rapidly seal and reinflate the offending tyre.

Neither the original MGF Trophy kit nor replacement cannisters to fit in it are available at time of writing, nor have been for some time. As a result, MG Rover came up with a housing (box to you and me) in which the later MG TF cannister could be safely stowed in the MGF Trophy - or indeed in any other MGF if the owner wished to fit it.

The 'delete spare wheel' specification was made standard on the MG TF 160 and optional on all other MG TF models. As inferred above, cars so specified were equipped with a different Instant Mobility System (IMS) kit to that fitted in the MGF Trophy.

MGF TROPHY INSTANT MOBILITY SYSTEM (IMS)

- 31 KIT, instant mobility system (IMS) 1 **KFE000010**
Original kit for MGF Trophy with deleted spare wheel option.
- 32 SEALANT, IMS, original type 1 **RR01000000**
Fits in kit box of MGF Trophy with deleted spare wheel option.
- 33 SEALANT, IMS, replacement,
MG TF type 1 **KFF000010**
Fits in replacement housing in MGF Trophy (will not fit kit box).
- 34 HOUSING, IMS sealant 1 **KFH000070**
Allows MG TF IMS sealant cannister to be safely stowed in MGF Trophy.

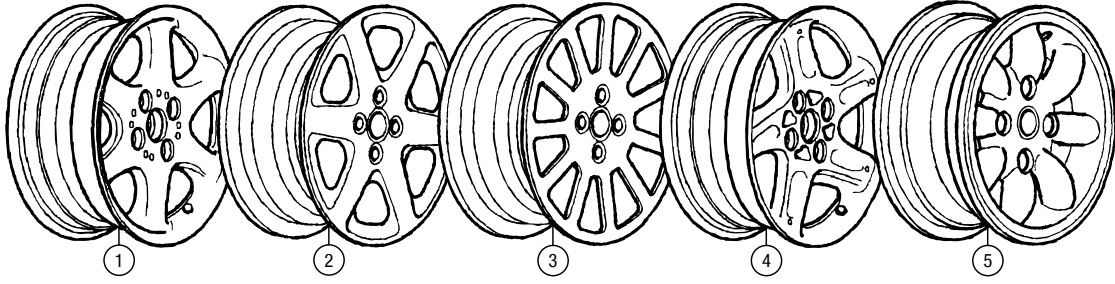
MG TF INSTANT MOBILITY SYSTEM (IMS)

- 35 SEALANT, IMS 1 **KFF000010**
- 36 HOUSING, IMS sealant 1 **KFH000030**
- 37 SAFETY GLASSES, IMS kit 1 **CONS5235**

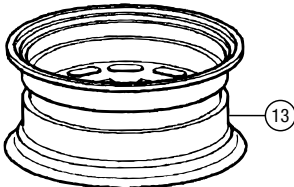
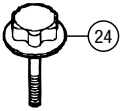
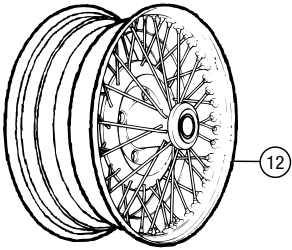
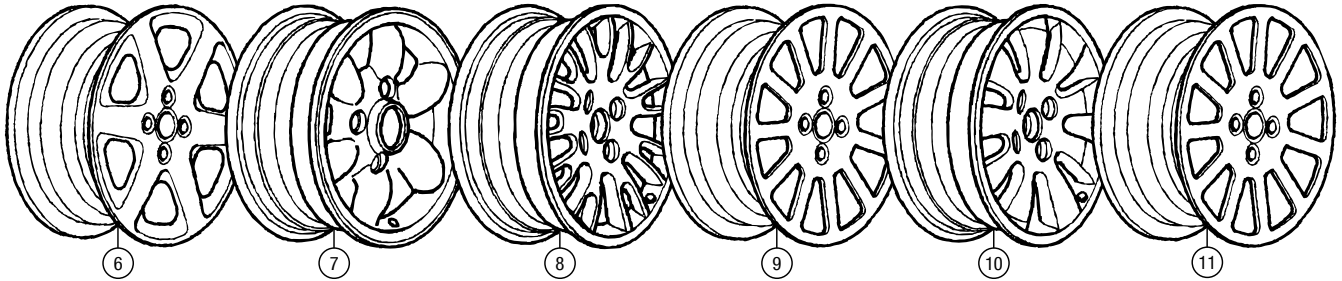


KIT, INSTANT MOBILITY SYSTEM - **KFE000010**

6J x 15" ALLOY WHEELS



7J x 16" ALLOY WHEELS



Mudflaps

FRONT MUDFLAPS, pair, black:

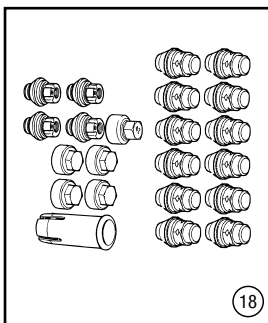
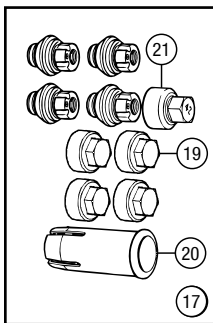
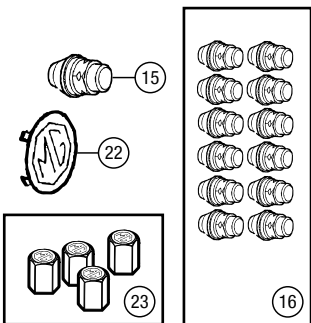
MGF	1	CAS100690PML
MG TF	1	CAS000260PMLP

REAR MUDFLAPS, pair, black:

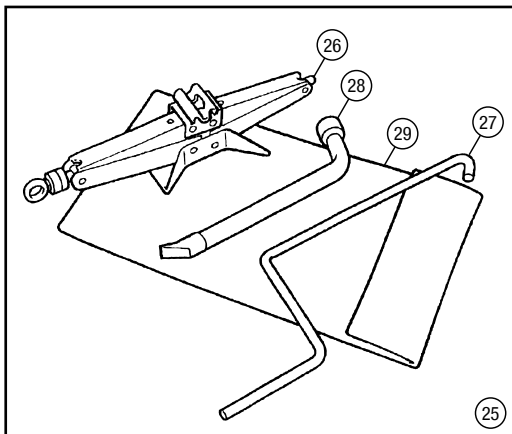
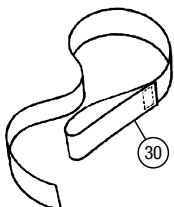
MGF	1	CAT100820PML
MG TF	1	CAT000320PML

CAR SET OF 4 MUDFLAPS, black:

MGF	1	RP1644
MG TF	1	RP1015



MGF TROPHY



MG TF



Brake Kits

Brake kits offer a convenient and cost effective way to service your brakes, consisting of an axle set of discs and pads in either standard or uprated specifications.

Uprated kits feature EBC Turbo Groove 'spotted & slotted' discs and Greenstuff pads (for details of which, see page 55), offering premium fast road brake performance. They fit to the car as direct replacements for the standard items, without the need for further modifications.

- FRONT BRAKE KIT, 240mm diameter brakes:**
Includes pair of discs and brake pad set.
All models except MGF Trophy, MG TF 160 and MG TF with Sportpack 2 option.

standard		
original equipment	1	RP1019
aftermarket	1	RP1019P
uprated	1	RP1019UR
- FRONT BRAKE KIT, 304mm diameter brakes:**
Includes pair of discs and brake pad set.
MGF Trophy, MG TF 160 and MG TF with Sportpack 2 option.

standard		
original equipment	1	RP1018
aftermarket	1	RP1018P
uprated	1	RP1018UR
- REAR BRAKE KIT:**
Includes pair of discs and brake pad set.

standard		
original equipment	1	RP1486
aftermarket	1	RP1486P
uprated	1	RP1486UR

Note that the uprated rear brake kit is not compatible with 15" wheels, except for the MGF VVC wheels.

MGF & MG TF 304mm BIG BRAKE CONVERSION KIT

Beef up your Front Brakes!

The kit includes a pair of red MG embossed AP Racing 2 piston calipers, mounting bolts, brake pads, pins, clips and 304mm ventilated discs. It can be used to either, replace the 4 piston factory AP racing system as fitted to MGF Trophy & MG TF 160, or to upgrade the standard sliding type brakes.

NOTE:- if using to replace the standard brakes, 16" wheels will be required
See wheels section on page 49 for options.

- | | | |
|-------------------------------|---|-------------------|
| BIG BRAKE CONVERSION KIT | 1 | RP1634 |
| BRAKE PADS ONLY (REPLACEMENT) | 1 | RP1634PADS |



BRAKE KITS



STANDARD FRONT BRAKE KIT, 240MM DIA BRAKES - RP1019P



FRONT 240mm



UPRATED FRONT BRAKE KIT, 240MM DIA BRAKES - RP1019UR



STANDARD FRONT BRAKE KIT - 304MM DIA BRAKES - RP1018P



FRONT 304mm



UPRATED FRONT BRAKE KIT, 304MM DIA BRAKES - RP1018UR



STANDARD REAR BRAKE KIT - ALL MODELS - RP1486P

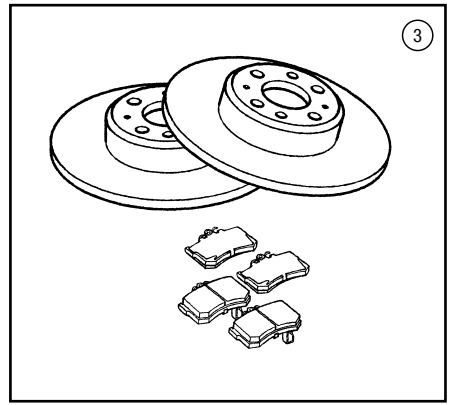
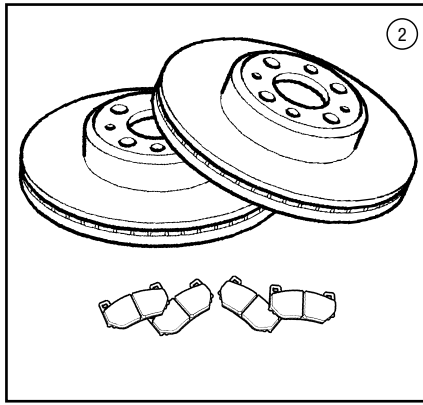
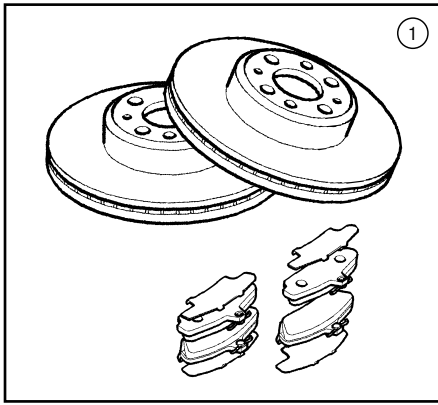


REAR

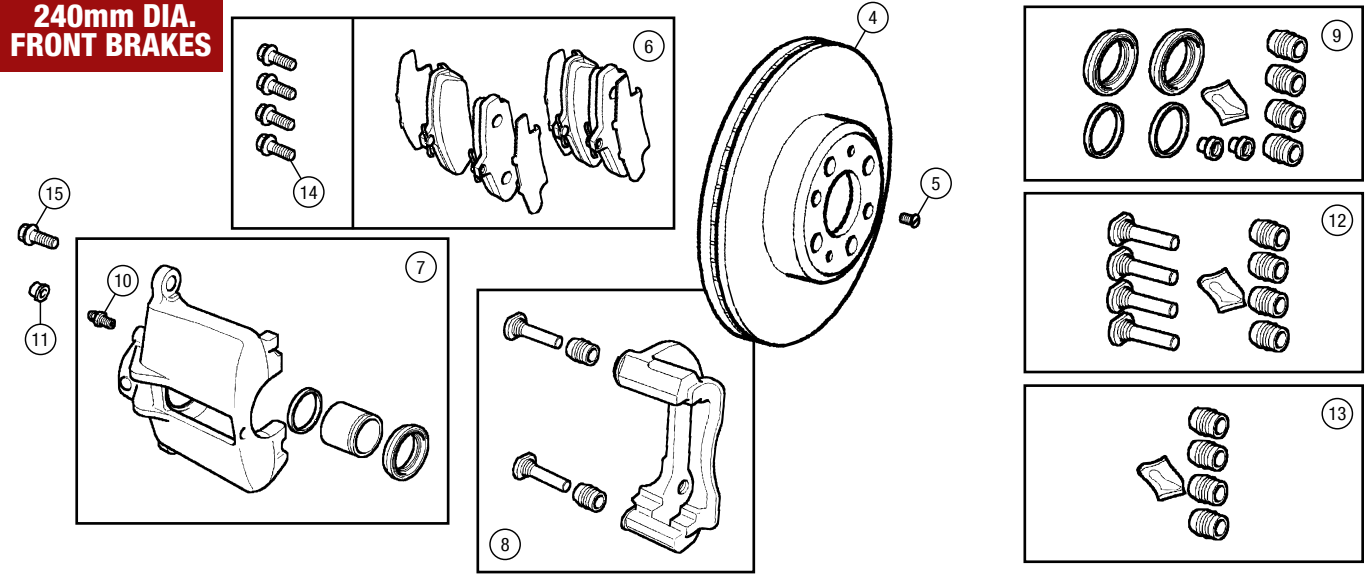


UPRATED REAR BRAKE KIT, ALL MODELS - RP1486UR

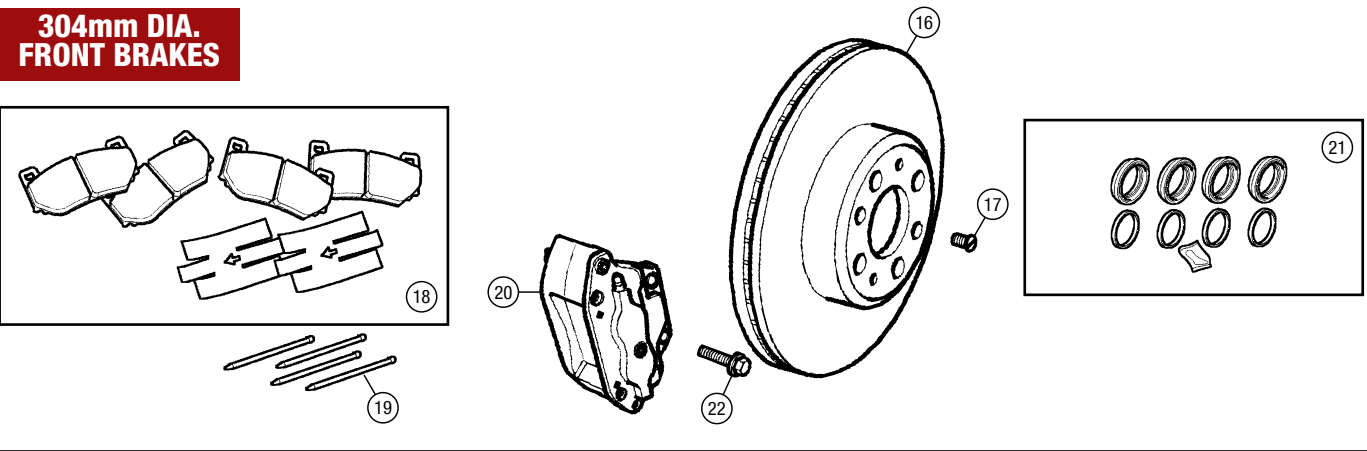




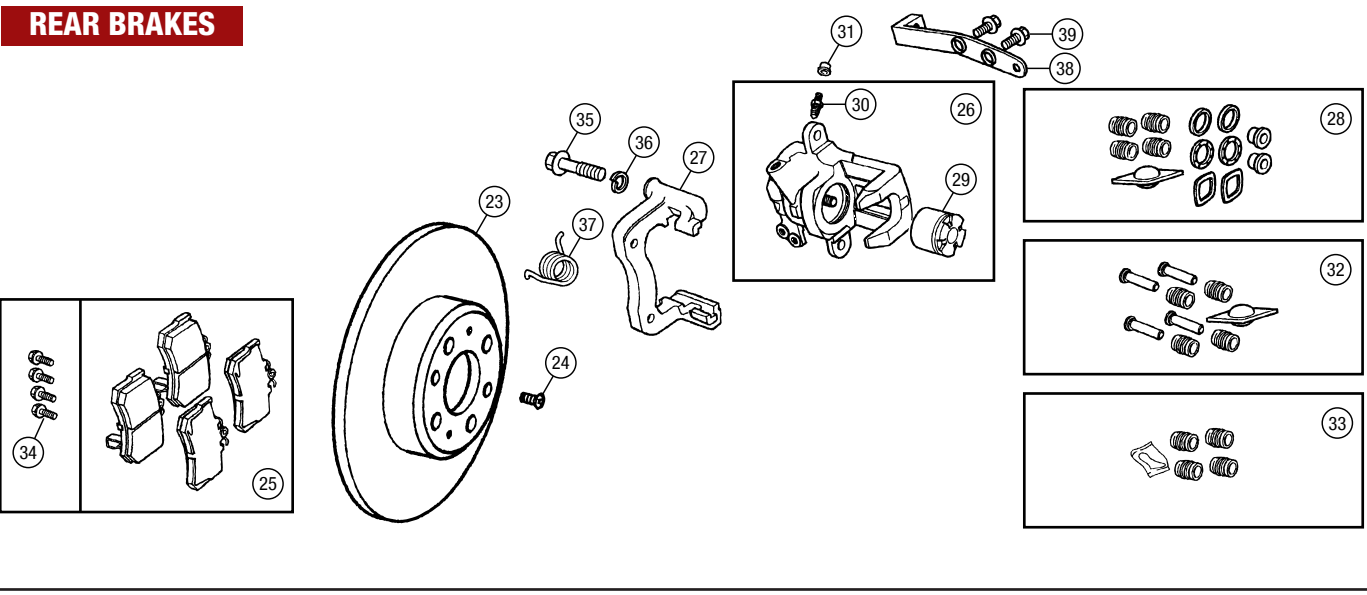
240mm DIA. FRONT BRAKES



304mm DIA. FRONT BRAKES



REAR BRAKES





No. DESCRIPTION QTY REQ. PART No.

Front & Rear Brakes

Two different sizes of front brake disc are used on the MGF and MG TF, depending on model. Both sizes of disc are ventilated. 240mm diameter discs combined with single pot sliding calipers are the standard items, found on most cars, whereas the MGF Trophy, MG TF 160 and MG TFs with the factory Sportpack 2 option use 304mm discs with 4 pot calipers. A car originally wearing 240mm discs may only be fitted with 304mm items if the calipers are also exchanged for the 4 pot type. See also 'Big Brake Conversion Kit' on page 53.

Only one brake design is used on the rear of MGFs and MG TFs, being solid, unventilated discs with single pot sliding calipers.

UPDATED DISCS

Updated discs are direct replacements for the original items on the car, fitting without the need for further modifications.

EBC Turbo Groove 'spotted & slotted' discs are the perfect partner for updated material Greenstuff pads, the combination providing ultimate performance from an otherwise standard brake system. Blind spot drillings reduce fade by dispersing surface gasses produced by hot pads, thus helping to maintain friction contact between pad and disc. Full-sweep scraper grooves ('slots') help deglaze pads and allow exit of dust, grit etc.

Turbo Groove discs are premium-made products, X-ray inspected, balanced and machined to exacting standards. The gold zinc-plate finish improves appearance and helps prevent corrosion in areas not swept by the pad.

UPDATED BRAKE PADS

Updated EBC Greenstuff pads are the most cost-effective way to improve the performance of your brakes, with the added welcome benefit of keeping your wheels clean. These award-winning pads are used by thousands of classic car owners throughout the world.

Greenstuff pads use the latest in friction materials technology, offering:

- Highgrip - REAL stopping power.
- Instant bite from cold.
- Anti-fade with high temperature operating range.
- Cleaner wheels with reduced black dust.
- Less disc wear, with Kevlar-based compound.
- Break-in coating for rapid bedding.
- Superb quality - 100% British made.

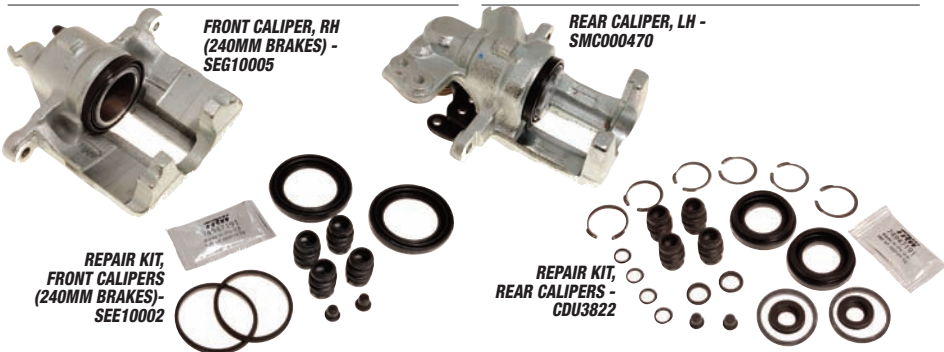


UPDATED EBC GREENSTUFF BRAKE PAD SET - SFK10004EVAGS



304MM UPDATED EBC TURBO GROOVE FRONT BRAKE DISCS - SDB000232UR

No. DESCRIPTION QTY REQ. PART No. No. DESCRIPTION QTY REQ. PART No.



240mm DIA. VENTILATED FRONT BRAKES

All models except MGF Trophy, MG TF 160 and MG TF with Sportpack 2 Option.

- 4 BRAKE DISC, front:
- standard
 - original equipment 1 NAM7806PR
 - premium quality 1 NAM7806BR
 - aftermarket 2 NAM7806P
 - updated, EBC Turbo Groove 1 NAM7806UR
- 5 SCREW, disc retaining 4 SF106161L
- 6 BRAKE PAD SET, front:
- Includes pads (shims and caliper guide pin bolts are supplied with OE pads only).
 - standard
 - original equipment 1 SFK10004EVA
 - premium quality 1 SFK10004EVABR
 - aftermarket 1 SFK10004EVAP
 - updated, EBC Greenstuff 1 SFK10004EVAGS
- 7 BRAKE CALIPER, front:
- Piston housing assembly (less carrier). Includes bleed screw.
 - RH
 - new 1 SEG10005
 - reconditioned, exchange 1 SEG10005R
 - LH
 - new 1 SEG10006
 - reconditioned, exchange 1 SEG10006R
- 8 CARRIER, front caliper 2 SEH10003
- 9 REPAIR KIT, front calipers 1 SEE10002
- 10 BLEED SCREW, front caliper 2 LR015523
- 11 DUST COVER, bleed screw 2 STC1913
- 12 GUIDE PIN KIT, front calipers 1 EJP1420
- Kit contains guide pins & dust covers for two calipers.
- 13 DUST COVER KIT, guide pins 1 EJP1421
- Kit contains dust covers for two calipers.
- 14 BOLT, caliper guide pin 4 RYG101110
- 15 SCREW, caliper to hub 4 FS112281L

304mm DIA. VENTILATED FRONT BRAKES

MGF Trophy, MG TF 160 and MG TF with Sportpack 2 Option.

- 16 BRAKE DISC, front:
- original equipment 1 SDB000232
 - Supplied in pairs.
 - aftermarket 2 SDB000232P
 - Supplied individually.
 - updated, EBC Turbo Groove 1 SDB000232UR
 - 'Spotted & slotted'. Supplied in pairs.
- 17 SCREW, disc retaining 4 SF106161L
- 18 BRAKE PAD SET, front (Includes pads):
- standard
 - original equipment 1 SFP000311
 - premium quality 1 SFP000311BR
 - Brembo manufacture.
 - aftermarket 1 SFP000311P
 - updated, EBC Greenstuff 1 SFP000311GS
- 19 PIN, brake pad retaining 1 SFP000311PINK4
- Supplied as a set of 4.
- 20 BRAKE CALIPER, front, 4 pot:
- Complete caliper assembly.
 - RH 1 SEB000340
 - LH 1 SEB000350
- 21 REPAIR KIT, front calipers, 4 pot 2 SEE000030
- Services one caliper.
- 22 SCREW, caliper to hub 4 FS112357

NON-VENTILATED REAR BRAKES

All models.

- 23 BRAKE DISC, rear:
- original equipment 1 SDB100461
 - Supplied in pairs.
 - aftermarket 2 SDB100461P
 - Supplied individually.
 - updated, EBC Turbo Groove 1 SDB100461UR
 - 'Spotted & slotted'. Supplied in pairs.
 - Not compatible with 15" wheels, except for the MGF VVC wheels.
- 24 SCREW, disc retaining 4 SF106161L
- 25 BRAKE PAD SET, rear:
- Includes pads (caliper guide pin bolts are supplied with OE pads only).
 - standard
 - original equipment 1 SFP000360
 - premium quality 1 SFP000360BR
 - Brembo manufacture.
 - aftermarket 1 SFP000360P
 - updated, EBC Greenstuff 1 SFP000360GS
- 26 BRAKE CALIPER, rear:
- Piston housing assembly (less carrier). Includes bleed screw.
 - RH
 - new 1 SMC000460
 - reconditioned, exchange 1 SMC000460R
 - LH
 - new 1 SMC000470
 - reconditioned, exchange 1 SMC000470R
- 27 CARRIER, rear caliper:
- RH 1 SXP000070
 - LH 1 SXP000060
- 28 REPAIR KIT, rear calipers 1 CDU3822
- Services two calipers.
- 29 PISTON, rear caliper 2 CDU3824
- 30 BLEED SCREW, rear caliper 2 LR015523
- 31 DUST COVER, bleed screw 2 STC1913
- 32 GUIDE PIN KIT, rear calipers 1 BAU5633
- Kit contains guide pins & dust covers for two calipers.
- 33 DUST COVER KIT, guide pins 1 CDU3823
- Kit contains dust covers for two calipers.
- 34 BOLT, carrier guide pin 4 BAU5631
- 35 SCREW, caliper to hub 4 EJP6293
- 36 WASHER, spring 4 GHF383
- 37 SPRING, hand brake lever:
- RH 1 CDU3737
 - LH 1 CDU3714
- 38 BRACKET, hand brake cable:
- RH 1 SMU100120
 - LH 1 SMU100130
- 39 BOLT, hand brake cable bracket 4 BAU5631



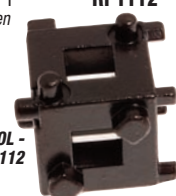
GUIDE PIN KIT, REAR CALIPERS - BAU5633



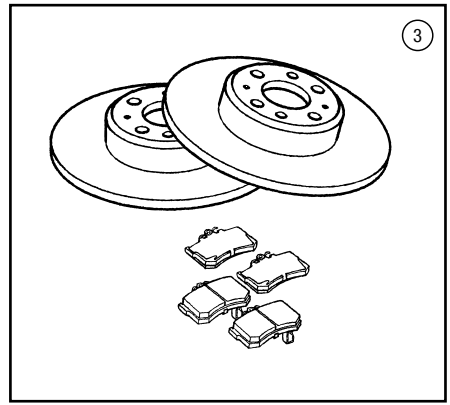
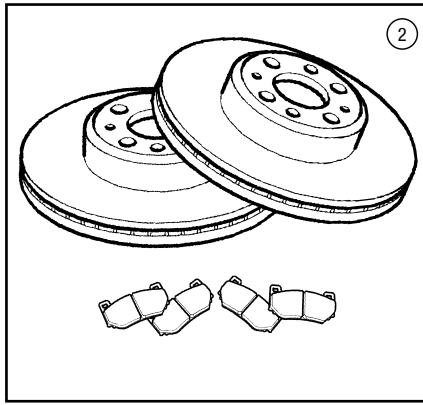
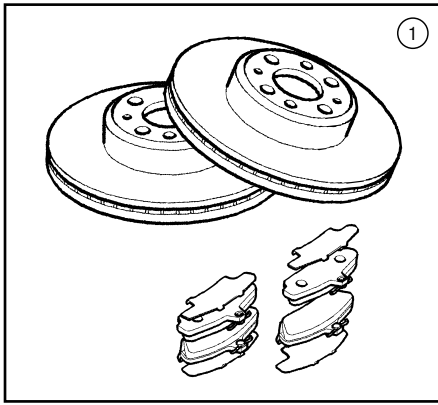
DUST COVER KIT - CDU3823

Caliper Piston Tool

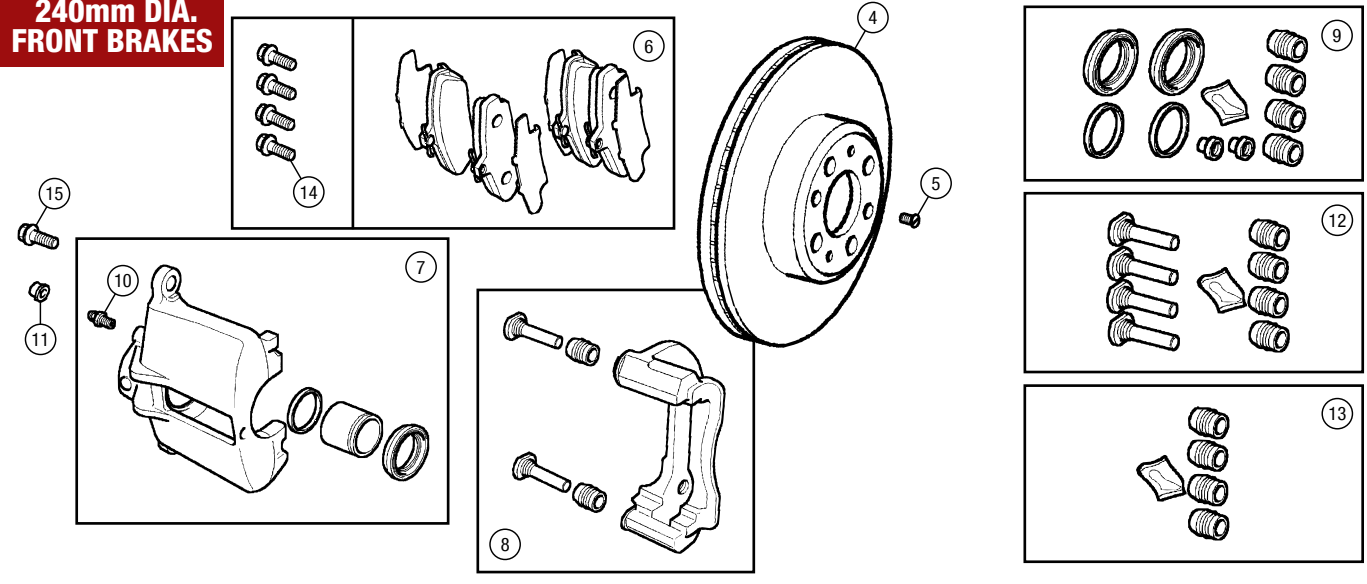
- WIND-BACK TOOL, caliper piston 1 RP1112
- A special wind-back tool is required when changing rear brake pads to retract the pistons into the rear calipers safely and without damage.



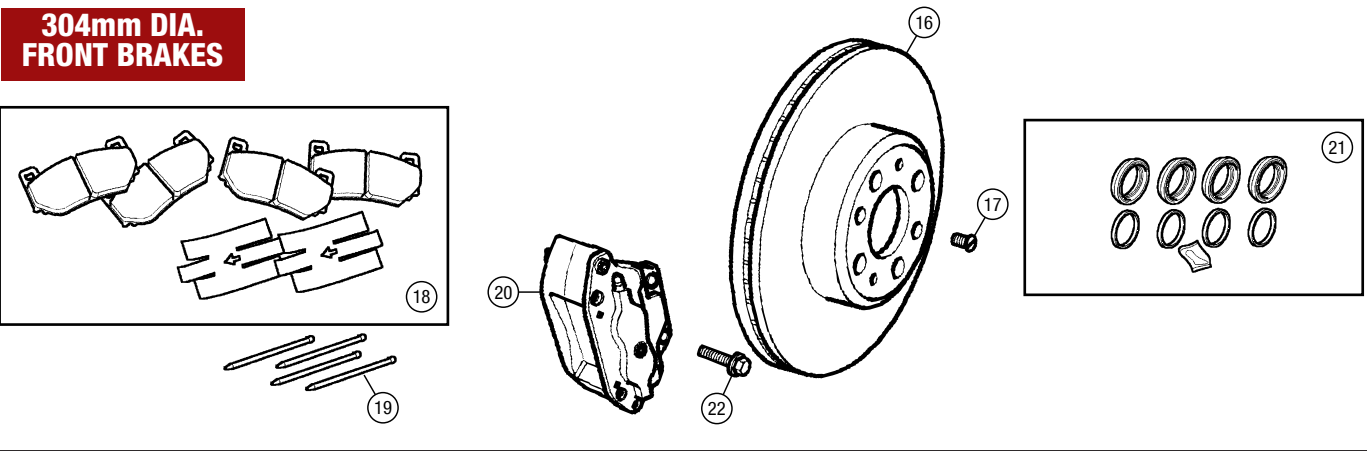
CALIPER PISTON TOOL - RP1112



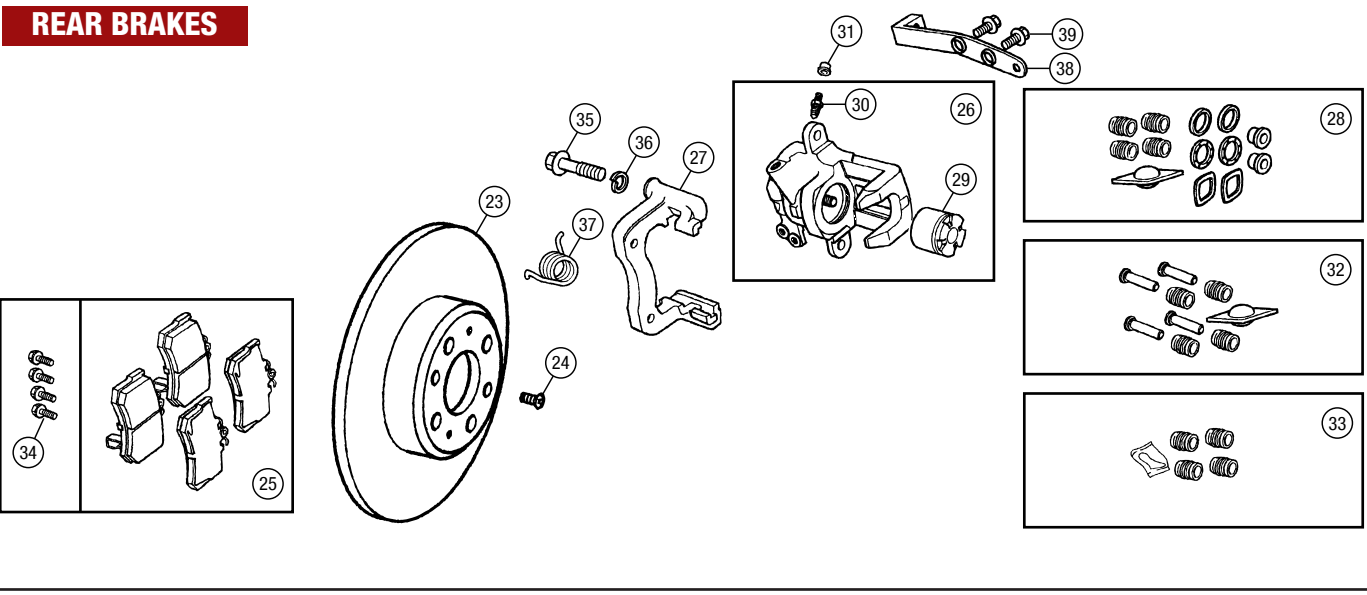
240mm DIA. FRONT BRAKES



304mm DIA. FRONT BRAKES



REAR BRAKES





No. DESCRIPTION QTY REQ. PART No.

Brake Hydraulics

- 1 MASTER CYLINDER, brake:
 - MGF to VIN AD000505 ('95 only)
 - non-ABS 1 **SJC10005**
 - with ABS 1 **SJC10007**
 - MGF from VIN AD000506 to YD525453 ('95 to '00)
 - all models 1 **SJC10007**
 - MGF from VIN YD525454 on, and MG TF to VIN 5D639633
 - all models 1 **SJC000040**
 - MG TF from VIN 5D639634 on
 - all models 1 **SJC000150**
- 2 REPAIR KIT, brake master cylinder, reservoir & external seal kit
 - MGF
 - to VIN YD525453 1 **SJJ100230**
 - from VIN YD525454 on 1 **SJJ000020**
 - MG TF 1 **SJJ000020**
- 3 REPAIR KIT, brake master cylinder, internal seal kit
 - MGF to VIN AD000505 ('95 only)
 - non-ABS 1 **SJJ100250**
 - ABS 1 **SJJ100240**
 - MGF from VIN AD000506 to YD525453 ('95 to '00)
 - all models 1 **SJJ100240**
 - MGF VIN YD525454 on, MG TF
 - all models 1 **SJJ000020**
- 4 CAP AND FLOAT SWITCH, reservoir:
 - MGF to VIN YD525453 1 **SJL10002**
 - MGF VIN YD525454 on, MG TF 1 **SJL000100**
- 5 SEAL, reservoir to master cylinder, included in reservoir and external seal kit. front 1 **EJP1502**
- 6 SEAL, reservoir to master cylinder, included in reservoir and external seal kit. rear 1 **EJP1503**
- 7 O RING, master cylinder to servo included in reservoir and external seal kit. Also included in servo repair kit. 1 **EJP1504**
- 8 NUT, master cylinder to servo 2 **LYH10012**
- 9 WASHER, master cylinder to servo 2 **PYF10025**



BRAKE MASTER CYLINDER - SJC10007

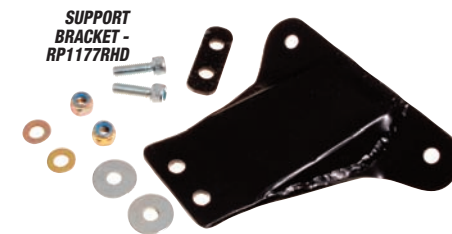


REPAIR KIT, BRAKE MASTER CYLINDER - SJJ100250

Brake Servo

- 10 SERVO ASSEMBLY:
 - MGF, MG TF to VIN 5D639633 1 **SJG100270**
 - MG TF from VIN 5D639634 on 1 **SJG000160**
- 11 REPAIR KIT, servo 1 **EJP1451**
- 12 O RING, servo to master cylinder included in servo repair kit. Also included in reservoir and external seal kit for master cylinder. 1 **EJP1504**
- 13 GASKET, servo mounting 1 **DCP7304**
- 14 NUT, servo to mounting bracket 4 **FN108041**
- 15 SPACER, servo mounting nut 4 **SYF10005**
- 16 CLEVIS PIN ASS'Y, servo pushrod 1 **NAM8540**
- 17 CLIP, clevis pin to pushrod 1 **EDP7864**
- 18 MOUNTING BRACKET, servo 1 **SKU100971**
- 19 BOLT, mounting bracket securing 4 **BYP10001**

No. DESCRIPTION QTY REQ. PART No.



Servo Support Bracket

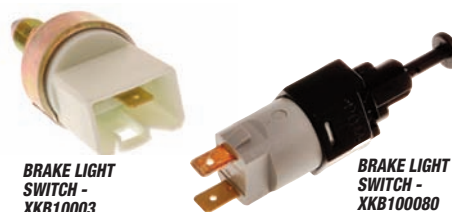
- SUPPORT BRACKET, servo mounting, uprated As fitted to Trophy race cars. Provides a firmer pedal feel by reducing servo movement during brake actuation. See photo.
 - RHD 1 **RP1177RHD**
 - LHD 1 **RP1177LHD**

Servo Vacuum Hose

- 20 HOSE, vacuum, brake servo:
 - MGF
 - RHD 1 **SQB101961**
 - LHD 1 **SQB101971**
 - MG TF
 - RHD 1 **SQB000180**
 - LHD 1 **SQB000190**
- 21 CLIP, hose to hydragas pipe MGF only. 1 **ADU9081**
- 22 CLIP, hose to engine bay 3 **SYC100500**
- 23 CLIP, hose to engine 1 **CRC1507**
- 24 CLIP, hose to brake pipe 1 **SYC100820**

Brake Pedal

- 25 BRAKE PEDAL ASSEMBLY, manual:
 - MGF to VIN YD514325
 - RHD 1 **SKB102220PMA**
 - LHD 1 **SKB102231PMA**
 - MGF from VIN YD514325 on, MG TF
 - RHD 1 **SKB104400PMA**
 - LHD 1 **SKB104410PMA**
- 26 BRAKE PEDAL ASSEMBLY, automatic
 - RHD 1 **SKB104540PMA**
 - LHD 1 **SKB104550PMA**
- 27 BRAKE PEDAL PAD, rubber, manual 1 **DBP7047**
- 28 BRAKE PEDAL PAD, rubber, automatic 1 **DBP7056**
- 29 BUSH, pedal to pedal shaft 2 **NAM6875**
- 30 CIRCLIP, pedal to pedal shaft 1 **FAM3903**
- 31 SPRING, pedal return 1 **SZR100020**
- 32 PEDAL SHAFT ASS'Y, brake & clutch
 - 1 **SKU100871**
- 33 NUT, pedal shaft 1 **FN108041**
- 34 SCREW, pedal shaft ass'y 3 **FS108161**
- 35 BRACKET, pedal mounting 1 **SKU100580**
- 36 SEAL, pedal mounting bracket 1 **NAM9348**
- 37 SCREW, pedal mounting bracket:
 - to VIN XD500389 6 **DYP10002**
 - from VIN XD500390 6 **FS106165E**
- 38 PUSH ROD, pedal to cross tube, non-adjustable 1 **SKM100050**
- 39 CLEVIS PIN ASS'Y, push rod 2 **NAM8540**
- 40 CLIP, clevis pin to push rod 2 **EDP7864**
- 41 CROSS TUBE, brake 1 **SKK100100**
- 42 CROSS TUBE BRACKET ASS'Y:
 - Includes cross tube bearing.
 - RHD, RH 1 **SKU101161**
 - LHD, RH 1 **SKU101171**
- 43 CROSS TUBE BRACKET ASS'Y:
 - Includes cross tube bearing.
 - RHD, LH 1 **SKU101121**
 - LHD, LH 1 **SKU101131**
- 44 SWITCH, brake light
 - MGF to VIN YD514325 1 **XKB100080**
 - MGF VIN YD514326 on, MG TF 1 **XKB10003**



BRAKE LIGHT SWITCH - XKB10003

BRAKE LIGHT SWITCH - XKB100080

No. DESCRIPTION QTY REQ. PART No.

Anti-Lock Brake Components (ABS)

- 45 MODULATOR ASS'Y, ABS 1 **SRB100550**
Included electronic control unit is also available separately. Up to VIN XD511058 (to '99) only.
- 46 ELECTRONIC CONTROL UNIT, ABS 1 **SRD100180**
Up to VIN XD511058 (to '99) only.
- 47 BUSH, mounting 3 **SWW100010**
- 48 CUP, mounting 3 **DCP7878**
- 49 NUT, mounting 3 **FN106047**
- 50 BRACKET, mounting 1 **SRU101100**
- 51 SCREW, bracket to body 3 **KYP10002L**
- 52 EARTH LEAD 1 **YTB100740**
- 53 NUT, earth lead 1 **FN105041**
- 54 MODULATOR ASS'Y, ABS 1 **SRB101590**
Integral electronic control unit is not available separately. From VIN XD511059, MG TF.
- 55 NUT, mounting 2 **FN108046**
- 56 BRACKET, mounting 1 **SRU102100**
- 57 SCREW, bracket to body 3 **KYP10002L**
- 58 CLIP, brake pipe to modulator 1 **AAU7803A**
- 59 WHEEL SENSOR, ABS, front 2 **SSB100790**
- 60 WHEEL SENSOR, ABS, rear:
 - RH 1 **SSB100881**
 - LH 1 **SSB100891**
- 61 SCREW, ABS wheel sensor, front 2 **FS106107**
- 62 SCREW, ABS wheel sensor, rear 4 **FB106071**
- 63 ADAPTOR, ABS wheel sensor, RH front & LH rear 2 **SSE100430**
- 64 ADAPTOR, ABS wheel sensor, LH front & RH rear 2 **SSE100440**
- 65 CLIP, ABS wheel sensor 4 **PYC10027**
- GUIDE BRACKET, front wheel sensor MG TF. Not illustrated. 2 **SSU100570**
- BRACKET, front wheel sensor: MG TF. Not illustrated.
 - RH 1 **SSU100600**
 - LH 1 **SSU100610**

Brake Fluid

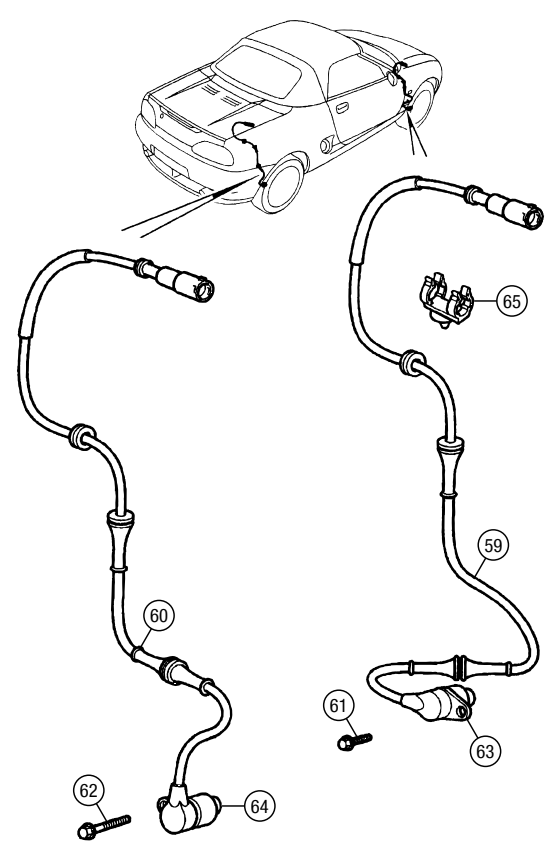
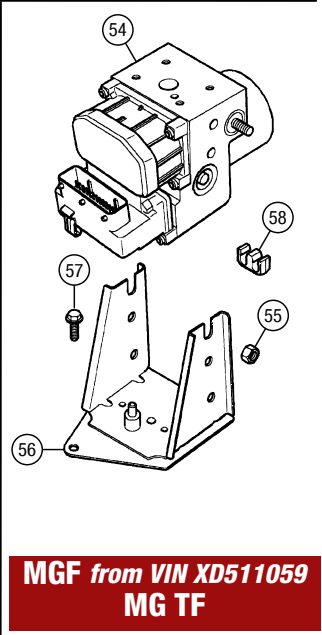
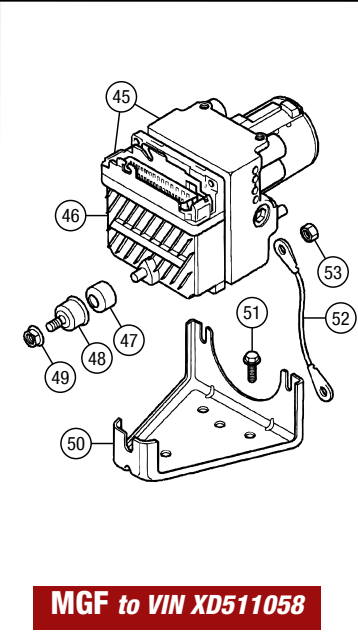
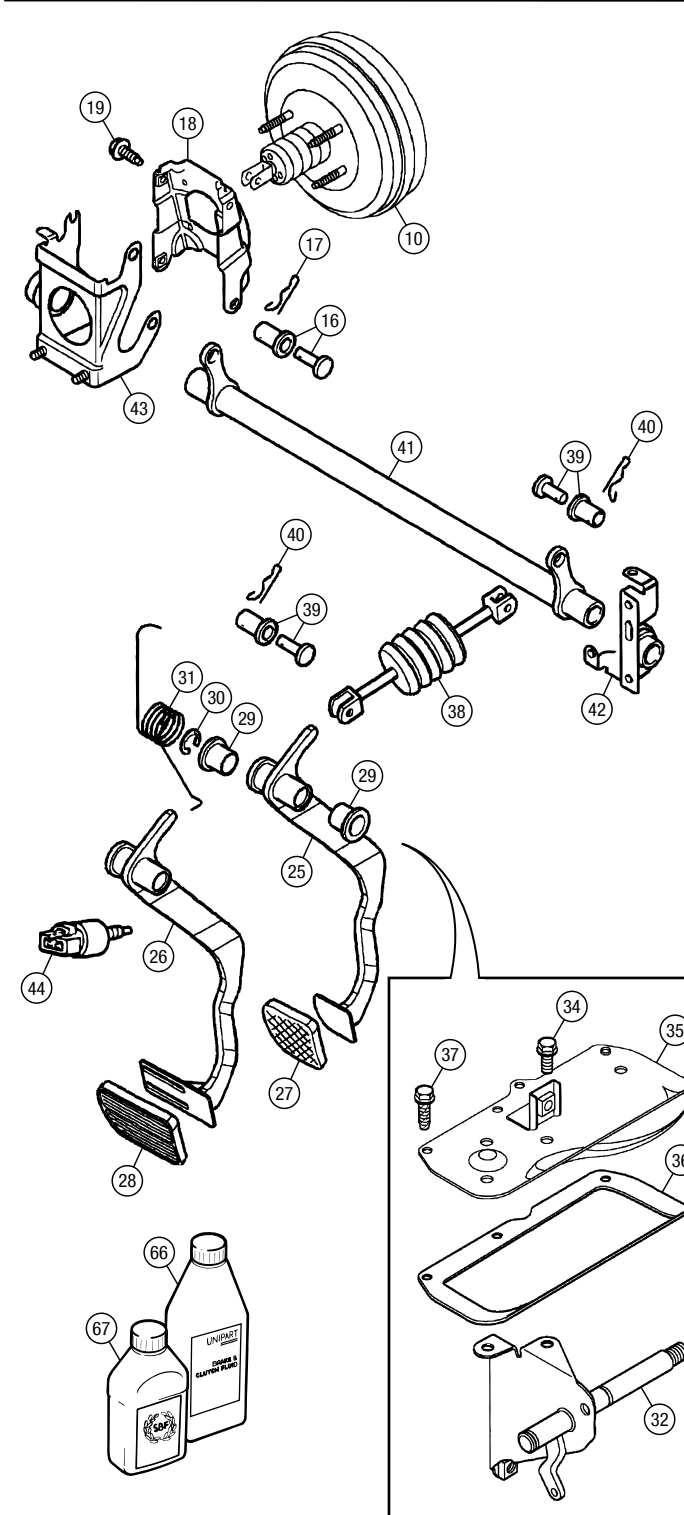
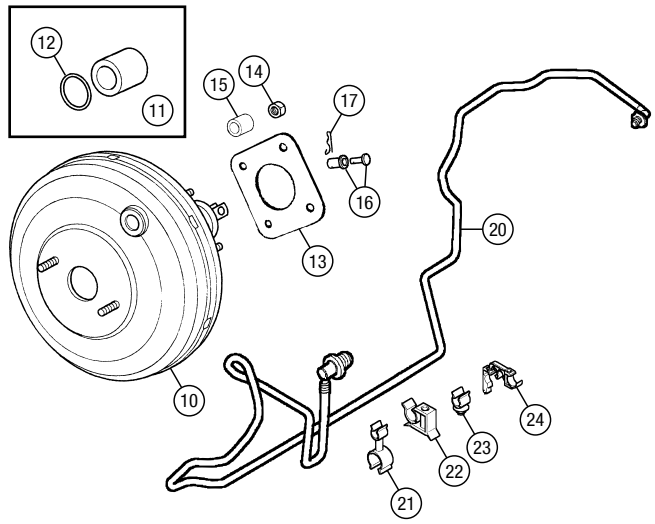
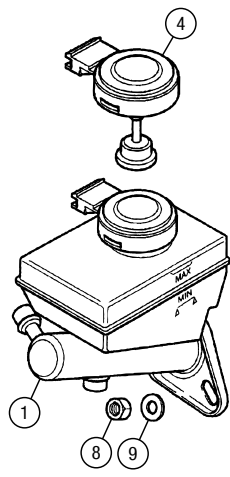
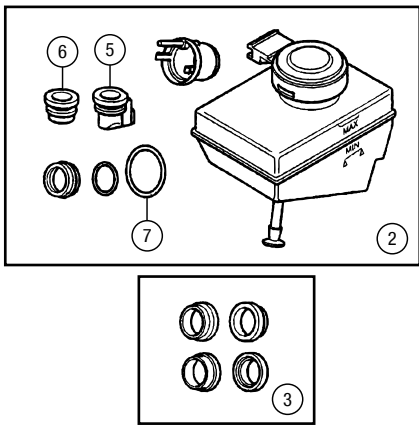
- 66 CLUTCH/BRAKE FLUID, Dot 4:
 - 250ml A/R **S3SHE02**
 - 500ml A/R **S3SHE05**
 - 1 litre A/R **S3SHE1**
- 67 CLUTCH/BRAKE FLUID, silicone:
 - Replaces conventional clutch/brake fluid. Doesn't absorb water - doesn't degrade. Will not harm paintwork if spilt.
 - 0.5 litre A/R **RX1327**
 - 1 litre A/R **RX1326**



CLUTCH & BRAKE FLUID, DOT 4 - S3SHE1



CLUTCH & BRAKE FLUID, SILICONE - RX1327





BRAKES - HAND BRAKE: PIPES & HOSES

No.	DESCRIPTION	QTY REQ.	PART No.
-----	-------------	----------	----------

Hand Brake

- | | | | |
|----|--|---|----------------|
| 1 | CABLE, hand brake, RH:
to VIN 4D628868 (2004) | 1 | SPB100762 |
| | from VIN 4D628869 (2004) | 1 | SPB000600 |
| 2 | CABLE, hand brake, LH:
to VIN 4D628868 (2004) | 1 | SPB100772 |
| | from VIN 4D628869 (2004) | 1 | SPB000610 |
| 3 | FAIRLEAD, cable | 1 | EJP6536 |
| 4 | SCREW, fairlead to body | 2 | FS108122 |
| 5 | SCREW, cable to body | 4 | FS106167 |
| 6 | CLEVIS PIN, cable to rear brake | 2 | CLP7352 |
| 7 | CLIP, clevis pin | 2 | 511032 |
| 8 | CLIP, cable abutment | 2 | EJP7813A |
| 9 | CLIP, RH cable to LH cable | 1 | SYC100620 |
| 10 | CLIP, cable to air cleaner bracket | 1 | SYC100510 |
| 11 | LEVER ASSEMBLY, hand brake:
<i>Includes lever, grip, equaliser and switch.</i> | | |
| | with black plastic grip
<i>Standard equipment,
MGF up to VIN 1D523407.</i> | 1 | SNM100071PMA |
| | with black plastic grip
<i>Standard equipment,
MGF from VIN 1D523408 on, MG TF.</i> | 1 | SNB000290PMA |
| | with black leather & chrome grip
<i>Alternative, fitted originally to MG TF
80th Anniversary edition.</i> | 1 | SNB000280RHT |
| 12 | CHROME INTERIOR ACCESSORY KIT
<i>Includes chrome cigar lighter, ashtray
and handbrake button.</i> | 1 | VUB105690 |
| 13 | BUTTON, hand brake, chrome:
<i>Original button is black plastic.</i> | | |
| | cars with MGF Heritage option | 1 | SNJ100040MMM |
| | dealer fitted accessory | 1 | SNJ100090MMM |
| 14 | SPRING, hand brake return | 1 | BNP2424 |
| 15 | EQUALISER, hand brake | 1 | DBP7241 |
| 16 | ADJUSTING NUT, hand brake | 1 | SPC100010 |
| 17 | PIN, equaliser | 1 | BNP2425 |
| 18 | SCREW, lever to tunnel | 2 | FS108207L |
| 19 | SWITCH, hand brake warning | 1 | EFP191 |
| 20 | SCREW, switch to lever | 2 | SE104081A |
| 21 | WASHER, shakeproof | 2 | WE104001L |
| 22 | GRIP, hand brake:
original fitment, black plastic | 1 | NCC8122PMA |
| | accessory fitment, alloy | | |
| | silver | 1 | RP1179SILVER |
| | titanium look | 1 | RP1179TITANIUM |
| | black leather & chrome | 1 | RP1179BLEATHER |

No.	DESCRIPTION	QTY REQ.	PART No.
-----	-------------	----------	----------



HAND BRAKE LEATHER GAITER & GRIP KIT - RP1153BLACK

Hand Brake Gaiter

- | | | | |
|----|--|---|---------------|
| 23 | HAND BRAKE LEATHER GAITER & GRIP KIT:
<i>Reproduction range of gaiter and grip kits specially produced
in colours to match MGF and MG TF interior trim
kits and packages.</i> | | |
| | black gaiter & black grip | 1 | RP1153BLACK |
| | grey gaiter & black grip | 1 | RP1153GREY |
| | light stone beige gaiter,
black grip | 1 | RP1153BEIGE |
| | biscuit gaiter & black grip | 1 | RP1153BISCUIT |
| | cream gaiter & black grip | 1 | RP1153CREAM |
| | british racing green gaiter,
black grip | 1 | RP1153BRG |
| | blue gaiter & black grip | 1 | RP1153BLUE |
| 24 | HAND BRAKE GAITER ONLY:
original fitment vinyl, black | 1 | FJL100720PMA |
| | <i>For all other colours, refer to replacement type.</i> | | |
| | factory option leather | | |
| | red | 1 | FJL101190CMS |
| | <i>Fitted originally as part of MGF Heritage option.</i> | | |
| | walnut | 1 | FJL101200SAV |
| | replacement fitment leather | | |
| | <i>Range of hand brake gaiters specially produced in colours
to match MGF and MG TF accessory trim and packages.</i> | | |
| | black leather | 1 | RP1487BLACK |
| | grey leather | 1 | RP1487GREY |
| | light stone beige leather | 1 | RP1487BEIGE |
| | biscuit leather | 1 | RP1487BISCUIT |
| | cream leather | 1 | RP1487CREAM |
| | british racing green leather | 1 | RP1487BRG |
| | blue leather | 1 | RP1487BLUE |



HAND BRAKE GRIP - RP1179SILVER



HAND BRAKE GRIP - RP1179TITANIUM



HAND BRAKE GRIP - RP1179BLEATHER



HAND BRAKE GAITER - RP1487BLACK



No.	DESCRIPTION	QTY REQ.	PART No.
-----	-------------	----------	----------

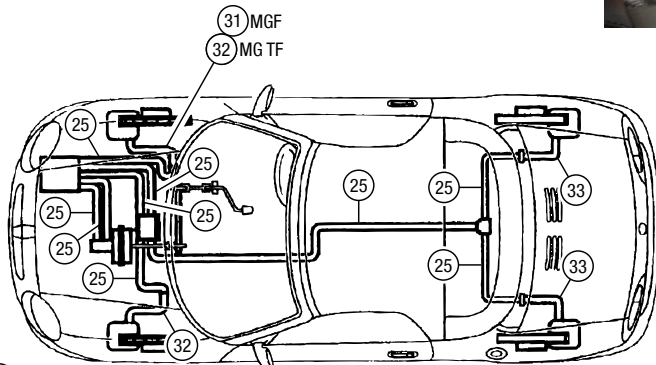
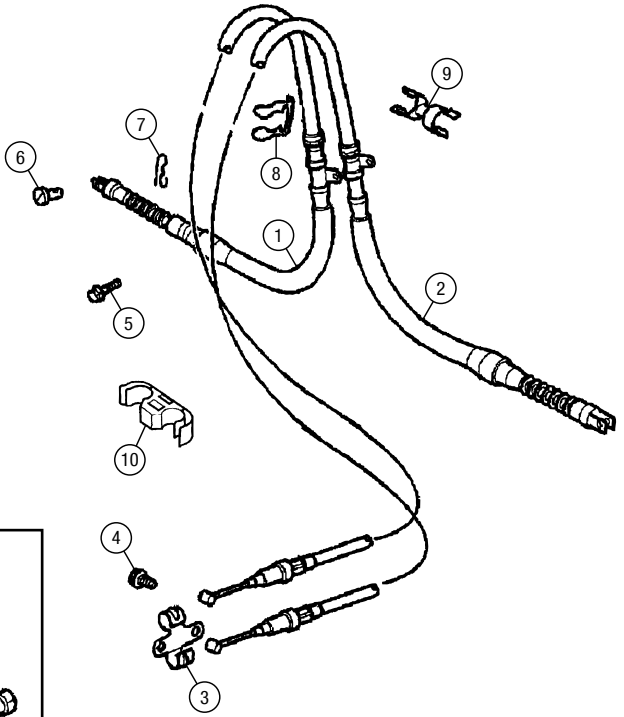
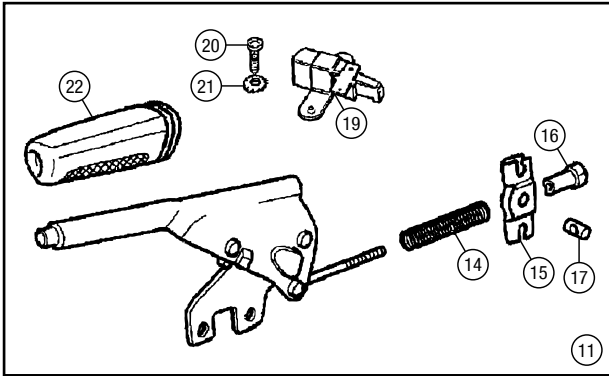
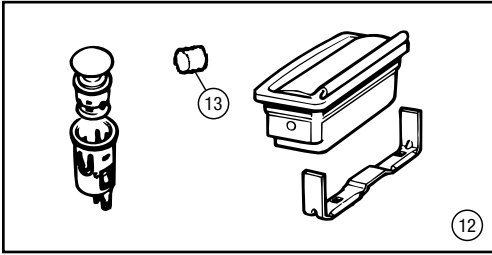
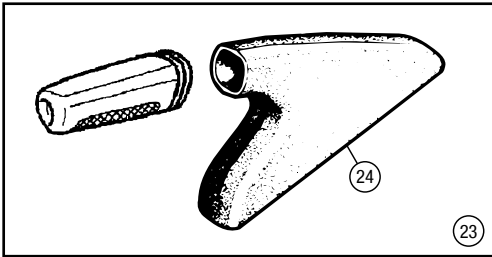
Brake Pipes & Hoses

For individual clutch pipes, please refer to the Clutch section.

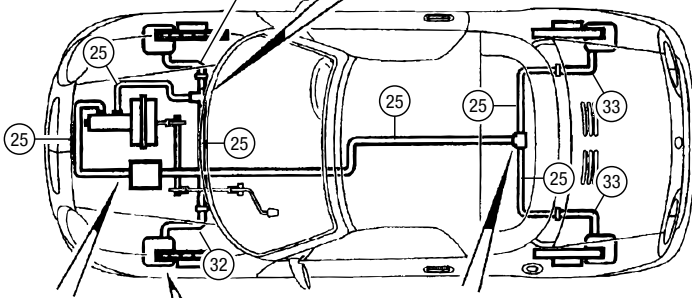
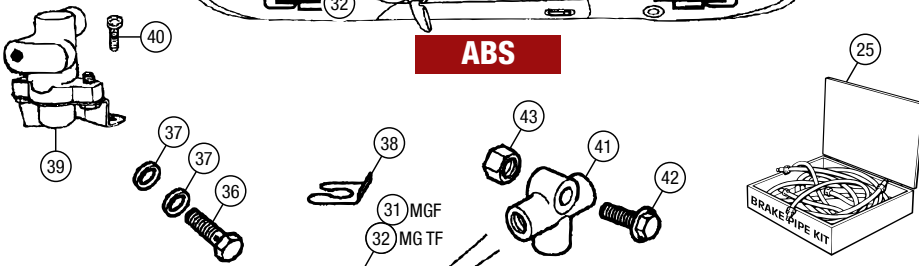
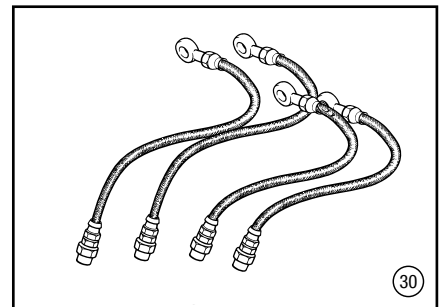
- | | | | |
|----|---|-----|-------------|
| 25 | BRAKE PIPE SET, copper:
<i>All pipes are made up to length complete with fittings.</i> | | |
| | car set, including clutch pipe | | |
| | non-ABS models | | |
| | RHD | 1 | RP1489 |
| | LHD | 1 | RP1489LHD |
| | ABS models | | |
| | RHD | 1 | RP1490 |
| | LHD | 1 | RP1490LHD |
| 26 | BRAKE PIPE, copper nickle,
<i>Individual brake pipes may be cut, shaped, assembled
and flared from the following components.</i> | | |
| | 25 foot length | A/R | P1PBP10 |
| 27 | TUBE NUT, male, M10, steel | A/R | TM110051 |
| 28 | TUBE NUT, male, M12, steel | A/R | TM112051 |
| 29 | TUBE NUT, female, M10, steel | A/R | TN110051 |
| 30 | BRAKE HOSE SET, stainless steel braided (set of four):
<i>Braided hoses have a smaller internal diameter, as well
as a far greater resistance to sidewall flexing, both of
which contribute to improved "feel" at the pedal.</i> | | |
| | MGF, car set | 1 | RP1034 |
| | MG TF, car set | 1 | RP1035 |
| 31 | BRAKE HOSE, standard rubber, front,
MGF, RH | 1 | SHB10006SLP |
| 32 | BRAKE HOSE, standard rubber, front,
MGF, LH | 1 | SHB10007SLP |
| | MG TF, RH & LH | 2 | SHB000870 |
| 33 | BRAKE HOSE, standard rubber, rear:
MGF | 2 | SHB100611 |
| | MG TF | 2 | SHB000880 |
| 34 | BOLT, front brake hose attaching | 2 | FB110121 |
| 35 | NUT, front brake hose attaching | 2 | ERR597 |
| 36 | BOLT, banjo, front caliper | 2 | SYG100510L |
| 37 | WASHER, sealing, banjo bolt | 4 | BNP1244L |
| 38 | CLIP, front brake hose abutment | 2 | EJP7813A |
| 39 | REDUCING VALVE, brake pressure | 1 | SJD100880 |
| 40 | SCREW, valve attaching | 1 | FS106127P |
| 41 | CONNECTOR, three way, front
<i>Non-ABS models only.</i> | 1 | NRC4251A |
| 42 | BOLT, front connector attaching
<i>Non-ABS models only.</i> | 1 | FB106067L |
| 43 | NUT, front connector attaching
<i>Non-ABS models only.</i> | 1 | FN106047 |
| 44 | CONNECTOR, three way, rear | 1 | NRC4251A |
| 45 | NUT, rear connector attaching | 1 | FN106047 |
| 46 | CLIP, brake pipe, front pipes | 2 | SYC100600 |
| 47 | CLIP, brake pipe, lower dash
and engine bay
<i>MGF from VIN YD522190 on, MG TF.</i> | 8 | SYC100580 |
| 48 | CLIP, brake pipe, triple,
servo mounting bracket
<i>RHD ABS models only.</i> | 2 | SYC100760 |
| 49 | CLIP, brake pipe, triple,
servo mounting bracket
<i>RHD ABS models only.</i> | 1 | SGK100470 |
| 50 | CLIP, brake pipe, triple
<i>RHD ABS models only.</i> | 2 | ADU8190 |
| 51 | CLIP, brake pipe, single,
cross tube brackets | 2 | ADU7004 |
| 52 | CLIP, brake pipe, multiple,
underfloor | 5 | UYC100230 |
| 53 | CLIP, brake pipe, multiple,
underfloor, rear | 1 | SYC100750 |
| 54 | CLIP, brake pipe, rear pipes | 2 | SYC100580 |



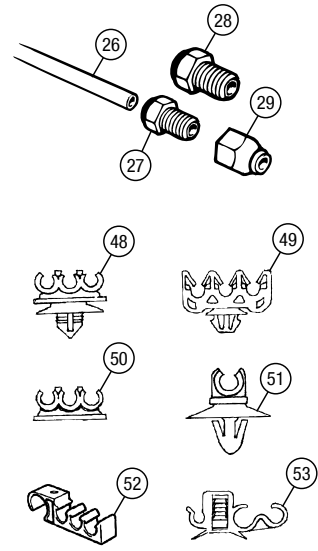
STAINLESS STEEL MGF BRAKE HOSE SET - RP1034



ABS



NON-ABS





Steering Rack

POWER STEERING TECHNICAL NOTE

Water ingress into the fuse holder carrying the electronic power steering (EPAS) control fuse may well be the cause of loss of steering assistance and an illuminated fault light on the fascia. To cure the fault, simply dry out the fuse holder and replace the fuse if corrosion is present.

1 STEERING RACK:			
MGF			
RHD, manual steering			
new	1	QAB102300	
reconditioned, exchange	1	QAB102300E	
RHD, power steering			
new	1	QAB102320P	
reconditioned, exchange	1	QAB102320E	
LHD, power steering			
new	1	QAB102330	
reconditioned, exchange	1	QAB102330E	
MG TF			
RHD, power steering			
new	1	QAB000240	
reconditioned, exchange	1	QAB000240E	
LHD, power steering			
new	1	QAB000250	
reconditioned, exchange	1	QAB000250E	
3 STEERING RACK GAITER KIT (each)	2	QBZ10001	2 required per car.
4 NUT, track rod end locking	2	DCP3625	
5 TRACK ROD END ASSEMBLY	2	QJB100141	
6 NUT, track rod end to steering arm	2	GHF233	
7 INSULATION PAD, rack mounting	1	NAM3557	
8 CLAMP, rack mounting	1	FAM4752	
9 BOLT, rack mounting clamp	2	OYG005296EVA	
10 U BOLT, rack mounting	2	QYG10019	
11 NUT, rack mounting	6	GHF252	



STEERING WHEEL - QTB101010PMA



Steering Column & Shaft

12 STEERING COLUMN, upper:			
manual steering	1	QMB100910	
13 STEERING COLUMN, upper, power steering,			
not tilt adjustable	1	QMB101570	
<i>MGF to VIN XD511058 (to '99).</i>			
<i>Important note: cars prior to VIN WD40303 (1998) being fitted with QMB101570 upper column will also require lower shaft QMN100182 (RHD) or QMB100192 (LHD).</i>			
14 STEERING COLUMN, upper, power steering,			
tilt adjustable	1	QMB102270PMP	
<i>MGF from VIN XD511059 on ('99 on), MG TF.</i>			
15 BRACKET, lower, column to body	1	QMU100550	
16 BOLT, steering column mounting, column to body	2	YYG10005A	
17 BOLT, steering column mounting, column to lower bracket	4	KYP10002L	
18 BOLT, steering column mounting, lower bracket to body	2	KYP10002L	
19 STEERING SHAFT & UNIVERSAL JOINT, lower:			
RHD			
MGF to VIN WD40302 ('98)	1	QMN100300	
MGF from VIN WD40303 on ('98 on), MG TF	1	QMN100182	
LHD			
MGF to VIN WD40302 ('98)	1	QMN100310	
MGF from VIN WD40303 on ('98 on), MG TF	1	QMN100192	
20 PINCH BOLT, universal joint	2	QYG500110	
21 COVER, lower steering shaft:			
RHD			
MGF to VIN AD007103 ('95)	1	QNB10024	
MGF from VIN AD007104 on (late '95 on), MG TF	1	QNB100420	
LHD			
MGF to VIN AD007103 ('95)	1	QNB10025	
MGF from VIN AD007104 on (late '95 on), MG TF	1	QNB100430	
22 GASKET, valve	1	NAM8829	
23 SEAL, cover	1	QMH100090	
24 STUD, cover to body	3	TE106045	
25 NUT, cover to body	3	FN106047	
26 COWL, steering column, upper	1	QRB100332PMA	<i>MGF up to VIN XD511058 (to '99).</i>
27 COWL, steering column, lower	1	QRB100350PMA	<i>MGF up to VIN XD511058 (to '99).</i>
28 COWL, steering column, pair, upper and lower	1	ZUA000950IAB	<i>MGF from VIN XD511059 on ('99 on), MG TF.</i>
29 COWL, steering column, upper only	1	QRB105910PMA	<i>MGF from VIN XD511059 on ('99 on), MG TF.</i>
30 COWL, steering column, lower only	1	QRB105890PMA	<i>MGF from VIN XD511059 on ('99 on), MG TF.</i>
31 COLLAR, cowl	1	QNJ10001	
32 SCREW, lower to upper cowl	3	ALU1778	

Steering Wheel

For steering wheel airbag module (SRS), please refer to Airbags in the Electrical Section.

MGF up to VIN XD511058 (to '99)

33 STEERING WHEEL, without airbag module:			
standard fitment			
black vinyl	1	QTB101010PMA	
black leather	1	QTB101020PMA	
black/red leather	1	QTB101020RAK	
limited editions			
black/walnut leather	1	QTB101020RIJ	
<i>Limited edition brooklands green (also known as Abingdon).</i>			
grenadine red/black leather	1	QTB101020WFJ	
<i>Limited edition 75th Anniversary.</i>			
Heritage option			
granite/ash grey leather	1	QTB101020LBB	
ash grey leather	1	QTB101020LNF	
red/ash grey leather	1	QTB101020RDL	
cream/parchment leather	1	QTB101020RQL	
factory sports option			
stone beige/black leather	1	QTB101020RIA	
red/black leather	1	QTB101020RIB	
green/black leather	1	QTB101020RXT	
dealer fitted option			
wood/black leather	1	VTH100060	

MGF from VIN XD511059 on ('99 on), MG TF

34 STEERING WHEEL, without airbag module:			
manual (not MGF Trophy)			
black vinyl	1	QTB001320PMA	
black leather	1	QTB001340PMA	
black/walnut leather	1	QTB102731RIJ	
tartan red/black leather	1	QTB001340WDS	
alpaca/black leather	1	QTB001340WNM	
chartreuse green/black leather	1	QTB001340WDR	
blue/black leather	1	QTB001340JZM	
champagne/black leather	1	QTB001340VAK	
wood/black leather	1	QTB001360RCM	
manual, some limited editions			
bright alloy/black leather	1	QTB001340MBG	<i>Also offered as dealer fitted option.</i>
manual, dealer fitted option			
wood/black leather	1	VTH100060	
MGF Trophy			
anthracite/black leather	1	QTB102731WGG	
solar red/black leather	1	QTB001340WDQ	
trophy yellow/black leather	1	QTB102731WAJ	
trophy blue/black leather	1	QTB001340WAK	
automatic			
<i>Less tiptronic switches (see below).</i>			
black leather	1	QTB103000PMA	
tartan red/black leather	1	QTB103000WDS	
chartreuse green/black leather	1	QTB103000WDR	
black/walnut leather	1	QTB103000RIJ	
blue/black leather	1	QTB102721JZM	
champagne/black leather	1	QTB102721VAK	
alpaca/black leather	1	QTB103000WNM	
<i>MGF only.</i>			
alpaca/black leather	1	QTB102721WNM	
<i>MG TF only.</i>			
wood/black leather	1	QTB103020RCM	
<i>MGF only.</i>			
wood/black leather	1	QTB001350RCM	
<i>MG TF only.</i>			
automatic, some limited editions			
bright alloy/black leather	1	QTB001330MBG	<i>Also offered as dealer fitted option.</i>
35 HORN PUSH, RH	1	QTN100170PMP	<i>Included in steering wheel assembly.</i>
36 HORN PUSH, LH	1	QTN100160PMP	<i>Included in steering wheel assembly.</i>
37 SWITCH, tiptronic, RH	1	YUG103230WDH	<i>Automatic only. Not included in steering wheel assembly.</i>
38 SWITCH, tiptronic, LH	1	YUG103220WDH	<i>Automatic only. Not included in steering wheel assembly.</i>
39 DAMPER, vibration	1	QTD100011	<i>Automatic only.</i>
40 SCREW, damper attaching	3	RYP100080	<i>Automatic only.</i>
41 NUT, steering wheel to column	1	DBP3067	

Steering Lock & Lock Sets

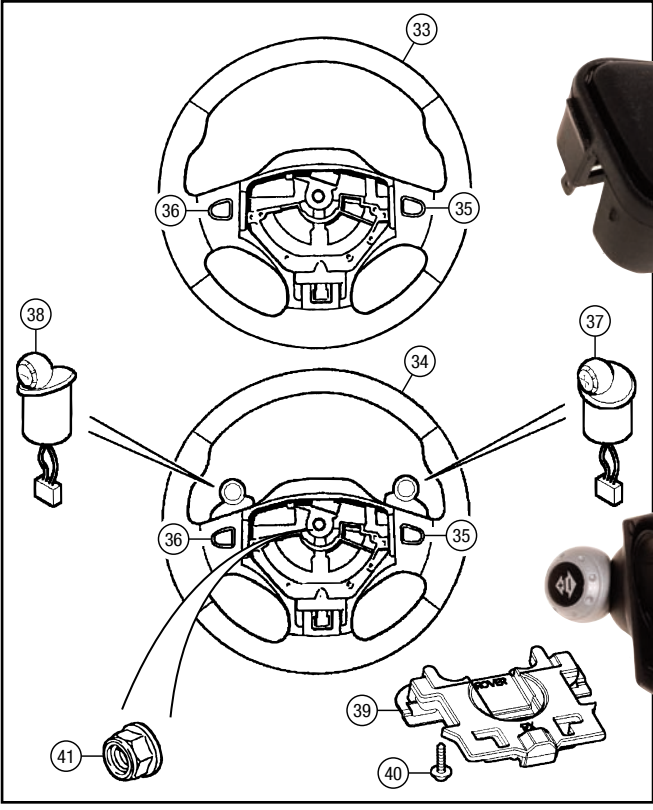
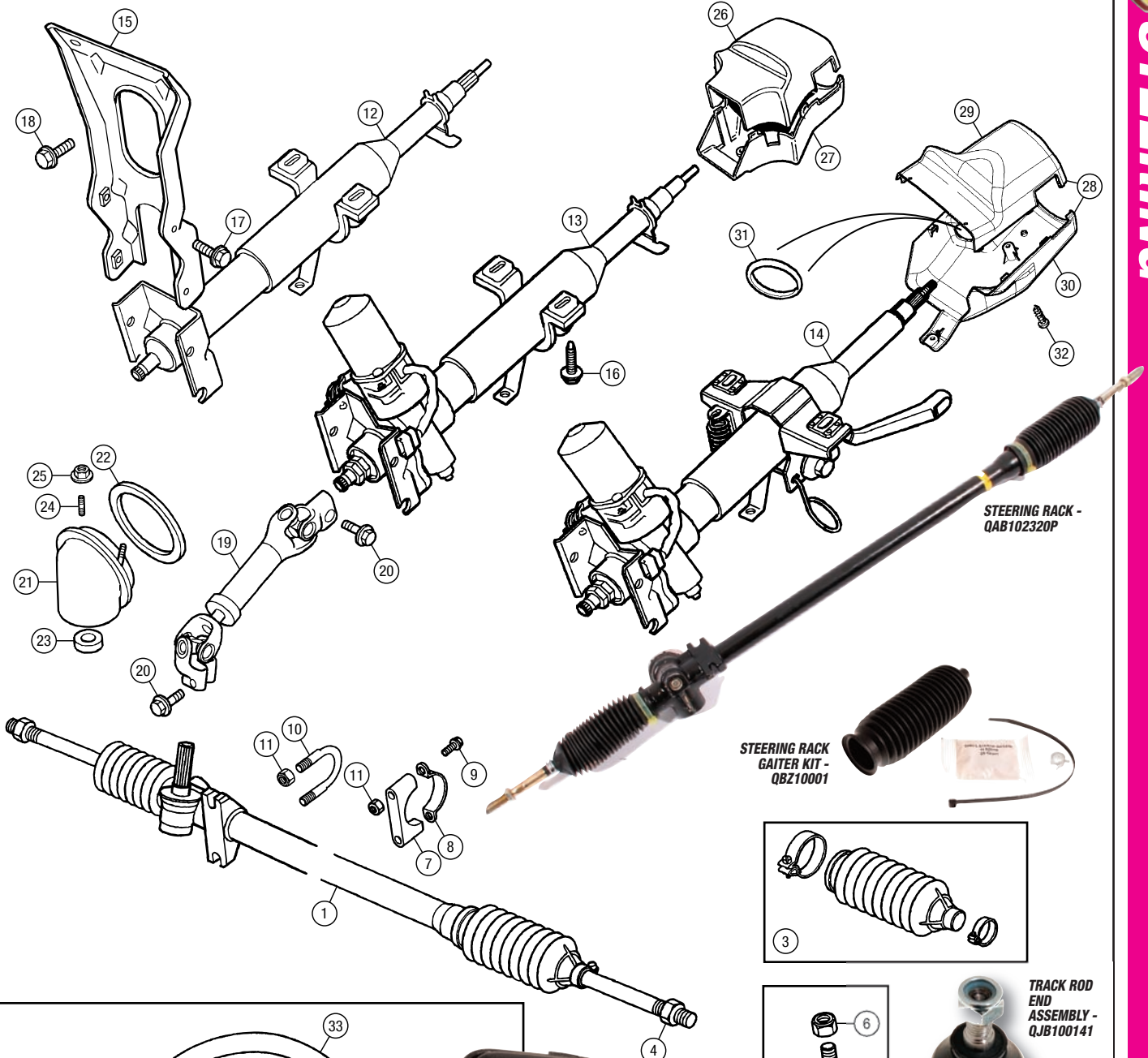
42 CAR LOCK SET:			
<i>Includes ignition switch/steering lock, door locks, boot lid lock and glovebox lock, plus two keys.</i>			
MGF			
RHD, with central locking	1	CWB105060MMMP1	
LHD, with central locking	1	CWB105070MMM	
MG TF			
RHD			
with manual locking	1	CWB001230MMM	
with central locking	1	CWB001220MMM	
LHD, with central locking	1	CWB001240MMM	
43 IGNITION SWITCH/STEERING LOCK:			
<i>Included in car lock set. Includes two keys.</i>			
RHD with non-specific key no.	1	QRF101080	
LHD with non-specific key no.	1	QRF101090	
44 SHEAR BOLT, steering lock	2	QRH10001	<i>Included in car lock set and ignition switch/steering lock.</i>
45 KEY BLANK, steering lock	1	CWE100580	



IGNITION SWITCH/STEERING LOCK - RHD - QRF101080

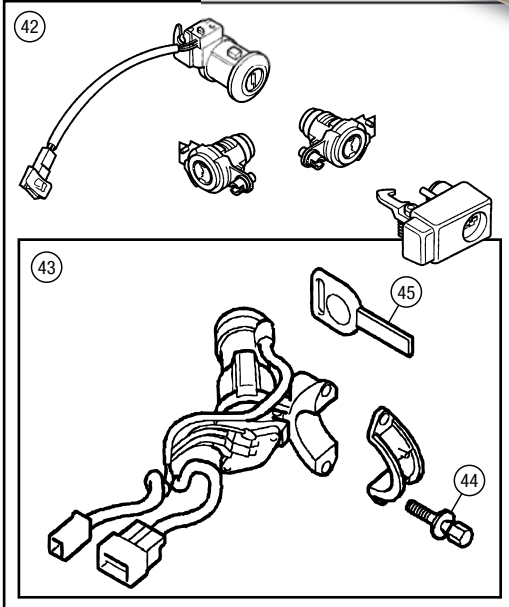


STEERING



HORN PUSH - QTN100170PMP

SWITCH, TIPTRONIC - YUG103220WDH



ORDER BY PHONE: 01522 568000 / ON LINE: www.rimmerbros.co.uk / E-MAIL: mgrover@rimmerbros.co.uk



ELECTRICAL - STARTER, ALTERNATOR, IGNITION

No. DESCRIPTION QTY REQ. PART No.

Starter Motor

MGF 1.8 Manual (not VVC)
up to Eng. Nos. 18K 4FJ31 365329
and 18K 4FJ32 380976

1	STARTER MOTOR:		
	new, outright	1	NAD10042P
	reconditioned, exchange	1	NAD10042E
	uprated (Hi Torque), new, outright	1	RP1707
2	SOLENOID ASS'Y (incl. in starter ass'y)	1	BAU5444
3	DRIVE ASS'Y (incl. in starter ass'y)	1	BAU5689
4	BRUSH BOX ASS'Y (incl. in starter ass'y)	1	NAD101150
5	BRUSH KIT (incl. in starter ass'y)	1	NAK000010
6	PIVOT KIT (incl. in starter ass'y)	1	BAU5448
7	BEARING KIT (incl. in starter ass'y)	1	608395A
8	BUSH KIT (incl. in starter ass'y)	1	NAK10003
9	SUNDRY PARTS KIT (incl. in starter ass'y)	1	BAU5451

MGF 1.8 Manual (not VVC)
from Eng. Nos. 18K 4FJ31 365330
and 18K 4FJ32 380977
to VIN YD522572 (to 2000)

10	STARTER MOTOR:		
	new, outright	1	NAD10050P
	reconditioned, exchange	1	NAD10050E
	uprated (Hi Torque), new, outright	1	RP1707
11	SOLENOID ASS'Y (incl. in starter ass'y)	1	BAU5703

MGF 1.8 VVC
up to VIN YD522572 (to 2000)

12	STARTER MOTOR:		
	new, outright	1	NAD10050P
	reconditioned, exchange	1	NAD10050E
	uprated (Hi Torque), new, outright	1	RP1707
13	SOLENOID ASS'Y (incl. in starter ass'y)	1	BAU5703

MGF 1.8 Manual (incl. VVC)
from VIN YD522573 on (2000 on),
MGF 1.6,
MG TF 1.6 & 1.8 Manual

14	STARTER MOTOR:		
	new, outright	1	NAD101340P
	reconditioned, exchange	1	NAD101340E
	uprated (Hi Torque), new, outright	1	RP1707

MGF 1.8 Automatic
MG TF 1.8 Automatic

15	STARTER MOTOR:		
	new, outright	1	NAD101320P
	reconditioned, exchange	1	NAD101320E

16	BOLT, starter to engine	2	FB112187
	Manual models.		

17	SCREW, starter to engine	2	1372612P
	Automatic models.		

18	TIE WRAP, starter cable securing	1	BMK1900
----	----------------------------------	---	---------

18A	HEAT SHIELD, starter motor	1	RX1470
	Multi-purpose heat shield can be used to protect starter motor from radiated heat. Easily cut to shape, attaches with velcro. 7" wide x 24" long.		



STARTER MOTOR - NAD101340P



ALTERNATOR - YLE101530P

No. DESCRIPTION QTY REQ. PART No.

Alternator - No A/C

19	ALTERNATOR:		
	manual		
	MGF to VIN YD522572 (to 2000)		
	new, outright, A115i 85 amp	1	YLE101530P
	reconditioned, exchange	1	YLE101530E
	MGF VIN YD522573 on (2000 on), MG TF		
	new, outright, GCB2 85 amp	1	YLE102430P
	reconditioned, exchange	1	YLE102430E
	automatic		
	MGF, MG TF		
	new, outright, GCB2 85 amp	1	YLE102430P
	reconditioned, exchange	1	YLE102430E
20	DRIVE BELT, polyvee	1	PQS100840
21	BRACKET ASS'Y, alternator	1	YLU101410L
22	ROLL PIN (incl. in bracket ass'y)	2	CDU1792
23	BUSH, sliding (incl. in bracket ass'y)	1	YKP100060
24	LINK, adjusting	1	YXL100141
25	BOLT, bracket to engine	3	FB110101
26	BOLT, alternator to bracket	1	BH110201
27	BOLT, alternator to link	1	CRC3963
28	WASHER, adjusting link bolt	1	WC110061
29	NUT, alternator bolt and link bolt	2	FN110041
30	SCREW, Taptite, adjusting link	1	YYP100530
31	HEATSHIELD, alternator:		
	MGF to VIN YD517763	1	YLP100570
	MGF VIN YD517764 on, MG TF	1	YLP100510
	alternative	1	RX1470
	Multipurpose, cut to shape, 7" wide x 24" long.		
32	BRACKET, heatshield	1	YLU000050
33	SCREW, heatshield, small, M6	2	FS106127P
34	SCREW, heatshield, medium, M8	1	FS108161
35	SCREW, heatshield, large, M10	1	FS110161

Alternator - With A/C

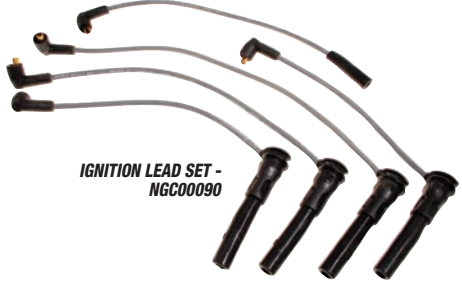
36	ALTERNATOR:		
	manual		
	new, outright, A115i 85 amp	1	YLE101530P
	reconditioned, exchange	1	YLE101530E
	automatic		
	new, outright, GCB2 85 amp	1	YLE102430P
	reconditioned, exchange	1	YLE102430E
37	DRIVE BELT, polyvee	1	PQS101180
38	BRACKET ASS'Y, alternator/compressor	1	JPD100580
39	ROLL PIN (incl. in bracket ass'y)	2	CDU1792
40	BUSH, sliding (incl. in bracket ass'y)	1	YKP100060
41	BOLT, bracket to engine	5	FB110161L
42	RETAINER, bracket	1	BRC9037
43	PULLEY, drive belt tensioner	1	PQR10028
44	SPINDLE, drive belt tensioner	1	PQL100070
45	NUT, pulley to spindle	1	WAM3719
46	WASHER, pulley nut	1	GHF301
47	PLATE, tensioner mounting	1	PQE100130
48	SCREW, tensioner spindle	1	PQF100040
49	SCREW, plate to mounting bracket	3	FS108161
50	BRACKET, alternator mounting	1	YLU101980
51	STUD, bracket to bracket:		
	MGF manual to VIN YD522572	1	TE108111
	MGF manual VIN YD522573 on,		
	MGF automatic, MG TF	1	TE108101L
52	BOLT, bracket to bracket	1	FB108081
53	BOLT, alternator to bracket, upper	1	FB110181
54	BOLT, alternator to bracket, lower	1	BH110201
55	NUT, bracket to bracket	1	FN108041
56	NUT, alternator to bracket	2	FN110041
57	HEATSHIELD:		
	alternator (Manual only)	1	YLP100510
	alternative	1	RX1470
	Multipurpose, cut to shape, 7" wide x 24" long.		
58	BRACKET, heatshield	1	YLU101950
	Manual only.		
59	SCREW, heatshield, small, M6	2	FS106127P
	Manual only.		
60	SCREW, heatshield, medium, M8	1	FS108161
	Manual only.		
61	SCREW, heatshield, large, M10	1	FS110161
	Manual only.		

No. DESCRIPTION QTY REQ. PART No.

Ignition

MEMS 1.9 ENGINE MANAGEMENT
MGF Manual (not VVC) to VIN YD522572

62	CAP, distributor	1	NJD10010
63	ROTOR ARM, distributor	1	NJE100071
64	SCREW, rotor arm securing	1	JZV1042L
65	ANTI-FLASH SHIELD, distributor	1	JZV1041
66	IGNITION LEAD SET:		
	standard, set of 5	1	NGC000090
	uprated, Lumentition silicone		
	complete set of 5	1	RP1037K
	set of 4 plug leads only	1	RP1037
	coil lead only	1	RP1038



IGNITION LEAD SET - NGC000090

67	CLIP, spacer, ignition leads	2	NGD100280
68	SPARK PLUG	4	NLP100290
69	COVER, spark plugs	1	LDR103810
70	BOLT, spark plug cover to engine	2	FB106075L
71	BRACKET, ignition support	1	NGE100250L
72	CLIP, bracket	1	ADU7042
73	COIL, ignition	1	NEC100631
74	SCREW, coil to engine, long	2	FS110161
75	SCREW, coil to engine, short	1	FS106101LP

MEMS 2J ENGINE MANAGEMENT
MGF VVC to VIN YD522572

76	IGNITION LEAD SET (set of 4)	1	NGC000070
77	CLIP, spacer, ignition leads, block type	1	NGD100280
78	CLIP, spacer, ignition leads, with screw bracket at end	1	NGE100280
79	CLIP, spacer, ignition leads, with screw bracket in centre	1	NGE100300
80	CLIP, spacer, ignition leads, with push clip fixing	1	NGD10008
81	BRACKET, ignition support	1	NGE100250L
82	SPARK PLUG	4	NLP100290
83	COVER, spark plugs	1	LDR103810
84	BOLT, spark plug cover to engine	2	FB106075L
85	COIL, ignition	1	NEC100691
86	SPACER, coil mounting	2	NEK100010

MEMS 3 ENGINE MANAGEMENT
MGF Manual (incl. VVC) from VIN YD522573 on,
MGF Automatic (all years),
MG TF Manual & Automatic

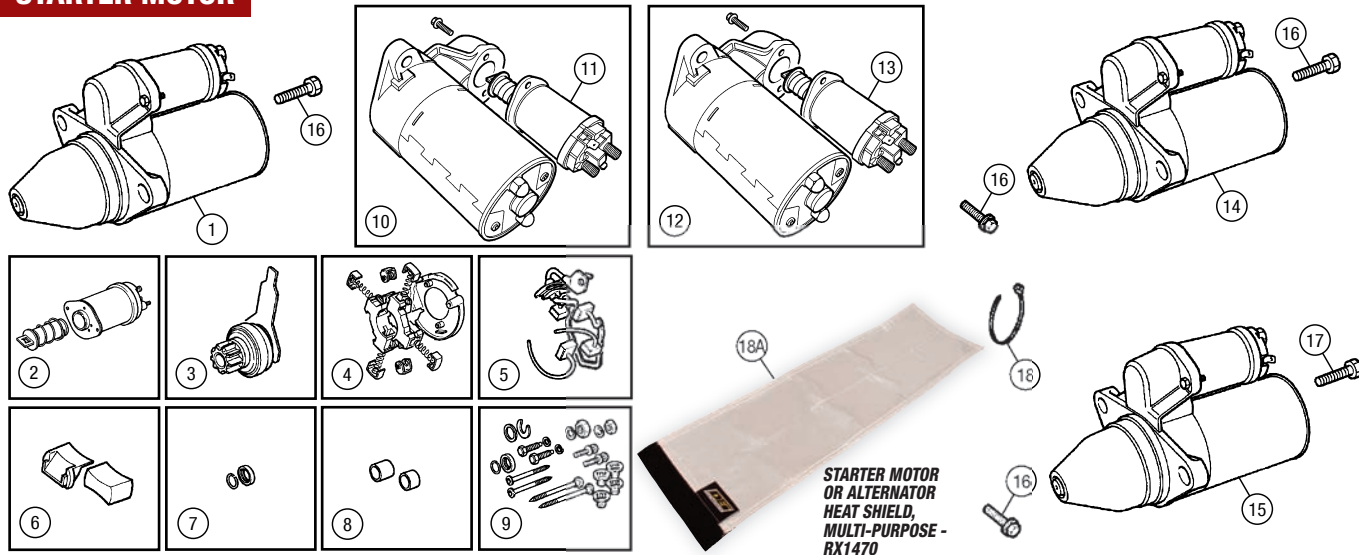
87	IGNITION LEAD SET (set of 2):		
	not MGF VVC or MG TF 160	1	NGC000040
	MGF VVC and MG TF 160	1	NGC000030
88	SPARK PLUG	4	NLP100290
89	COIL, ignition, plug top:		
	not MGF VVC or MG TF 160	2	NEC000120
	MGF VVC and MG TF 160	2	NEC000130
90	SCREW, coil to cam cover	4	FS106205
91	CLIP, camshaft cover	2	NGE100450
92	BRACKET, ignition to throttle body:		
	not MGF auto to VIN YD522572	1	NGE100490
	MGF automatic to VIN YD522572	1	NGE100480
93	COVER, spark plugs	1	LDR000400
94	BOLT, spark plug cover to engine	2	FB106075L
95	SCREW, spark plug cover to engine	1	FS106205



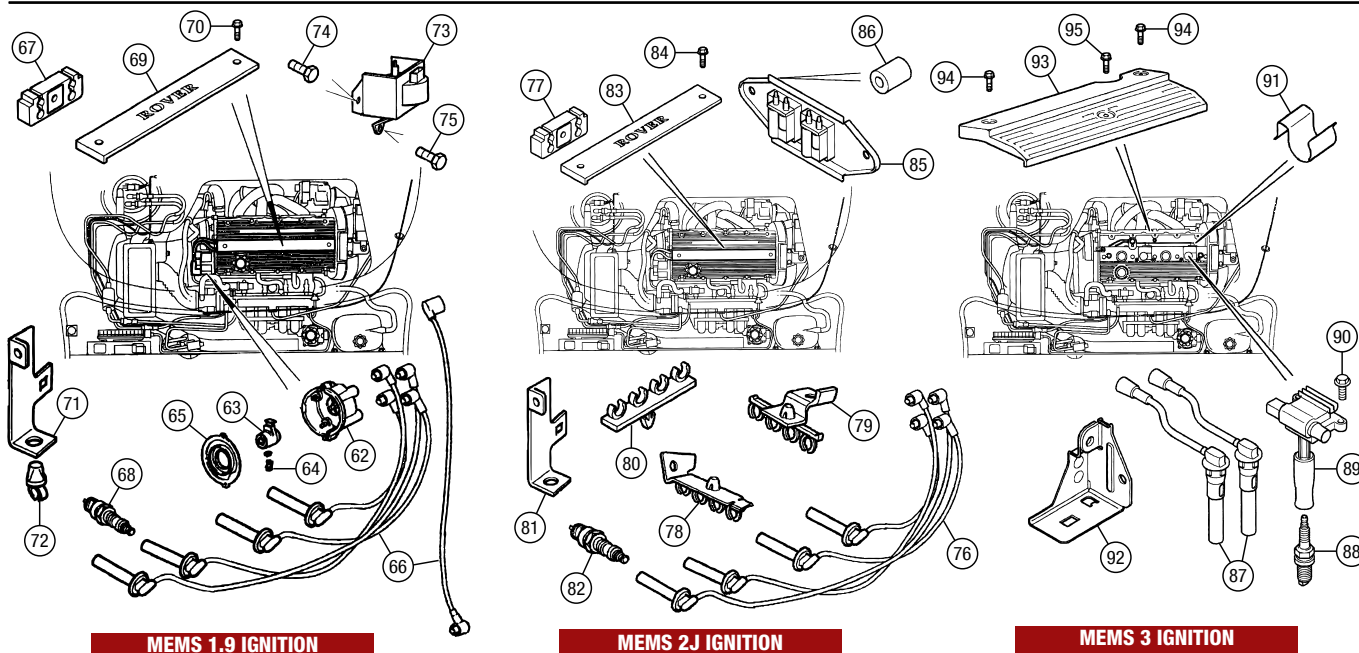
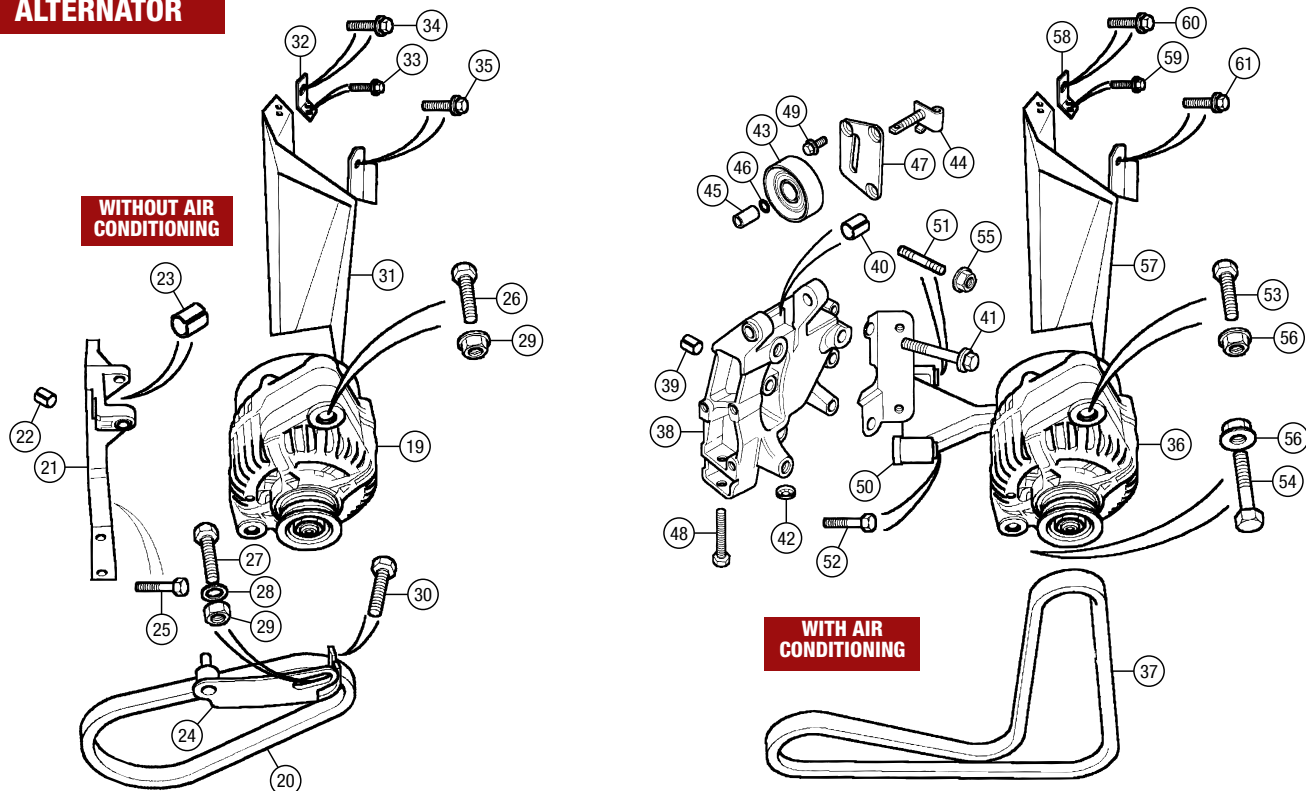
COIL, IGNITION - NEC000120

ORDER BY PHONE: 01522 568000 / ON LINE: www.rimmerbros.co.uk / E-MAIL: mgrover@rimmerbros.co.uk

STARTER MOTOR



ALTERNATOR





No. DESCRIPTION QTY REQ. PART No.

Electronic Control Units (ECUs)

ENGINE ECU - Not VVC

1	ELECTRONIC CONTROL UNIT, MPi engine:		
	manual		
	MGF to VIN YD522572	1	MKC104112E
	MGF from VIN YD522573 on, MG TF to VIN 4D639328		
	with ABS	1	NNN100783
	non-ABS	1	NNN000060
	MG TF VIN 4D639329 on	1	NNN100743
	auto		
	MGF, MG TF to VIN 4D639328	1	NNN100783
	MG TF VIN 4D639329 on	1	NNN100743

ENGINE ECU - VVC

	ELECTRONIC CONTROL UNIT, VVC engine:		
	MGF to VIN YD522572	1	MKC104001E
	MGF from VIN YD522573 on (except Trophy)	1	NNN000100
	MGF Trophy, MG TF 160	1	NNN000160
2	VACUUM PIPE, engine ECU	1	NNP100810
3	BRACKET ASS'Y, engine ECU mounting:		
	MGF to VIN XD507388	1	NUU100410
	MGF VIN XD507389 to YD522572	1	NUU100780
	MGF VIN YD522573 on, MG TF	1	NUU100910
4	PAD, insulation (incl. in bracket ass'y)	1	CRC9383
5	NUT, Lokut, ECU to bracket	3	GHF1022
6	SCREW, ECU to bracket	3	DA610041

GEARBOX ECU - Automatic

7	ELECTRONIC CONTROL UNIT, automatic gearbox:		
	gearboxes without shift interlock	1	UHC000320
	gearboxes with shift interlock	1	UHC000330

ENGINE SENSORS



NSC100760SLP

NSC000310

MEK100061

YCB100420

NNK10001

NUC100280

MHK100520

No. DESCRIPTION QTY REQ. PART No.

Engine Sensors - Non VVC

8	CRANKSHAFT SENSOR	1	NSC100760SLP
9	SCREW, crankshaft sensor	1	FS105165
10	CAMSHAFT SENSOR:		
	original type, with link lead	1	NSC100932
	replacement, without link lead	1	NSC000310
	<i>Note: replacement sensor will require link lead, below, to fit.</i>		
11	LINK LEAD, camshaft sensor	1	YSB002390
	<i>Required when fitting replacement camshaft sensor.</i>		
12	SCREW, camshaft sensor to engine	1	FS106127P
13	O RING, camshaft sensor	1	TGN100050L
14	CLIP, sensor link lead to engine	1	ESR1600A
15	OXYGEN ('LAMBDA') SENSOR:		
	MGF to VIN YD522572	1	MHK10006
	MGF VIN YD522573 on, MG TF	2	MHK100840
16	BRACKET, oxygen sensor	1	MAU000070
	<i>MGF only.</i>		
17	SCREW, oxygen sensor bracket	1	FS105106
	<i>MGF only.</i>		
18	CLIP, oxygen sensor lead, to ECU bracket	1	YYC000820
19	CLIP, oxygen sensor lead, to cam cover blanking plate	1	YYC103550
20	COOLANT TEMPERATURE TRANSDUCER:		
	brown (ignition timing compensation)		
	MGF manual to VIN YD522572	1	MEK100061
	MGF manual VIN YD522573 on, MG TF	1	MEK000030
	black or blue (sender to coolant temperature gauge)		
	original type, black	1	YCB100370
	replacement type, blue	1	YCB100420
	<i>Note: the replacement blue transducer requires a different, thinner sealing washer (MDY100080, 0.5mm thick) to the original.</i>		
21	WASHER, sealing transducer:		
	for brown transducer	1	MDY100040L
	<i>3.5mm thick washer.</i>		
	for original black transducer	1	MDY100040L
	<i>3.5mm thick washer.</i>		
	for replacement blue transducer	1	MDY100080
	<i>0.5mm thick washer.</i>		
22	AIR INLET TEMP. SENSOR	1	NNK10001
23	TEMP. WARNING SENSOR, catalyst	1	NSC100320
	<i>MGF Japan only, to VIN WDD040179.</i>		
24	CLIP, over temp. warning sensor	1	WYC100340
	<i>MGF Japan only, to VIN WDD040179.</i>		
25	COOLANT TEMP. SENSOR, brown	1	GTR185
	<i>Audible warning temperature sensor.</i>		
26	OIL TEMPERATURE TRANSDUCER:		
	manual,		
	MGF to VIN AD001017	1	YCB100270
	<i>150°C</i>		
	MGF from VIN AD001018 to eng. numbers J31 646502 & J32 646201	1	YCB100290
	<i>170°C</i>		
	MGF from eng. numbers J31 646503 & J32 646202 to VIN XD511058 (to '99)	1	YCB100350
	MGF VIN XD511059 on ('99 on) & MG TF	1	MEK100160
	automatic MGF, MG TF	1	MEK100160
27	OIL PRESSURE SWITCH:		
	MGF to eng. numbers J31646502 & J32 646201	1	NUC10003
	MGF from eng. numbers J31 646503 & J32 646202 on, MG TF	1	NUC100280
28	WASHER, sealing switch	1	MDY100080
29	INLET MAN PRESSURE SENSOR	1	MHK100820
30	SCREW, sensor to inlet manifold	2	MYP100510
31	CLIP, sensor lead to inlet manifold	1	YQR101320
32	AMBIENT AIR SENSOR, engine bay	1	MHK100520
33	INSERT, screw-in, sensor	1	LZN10001
34	NUT, sensor	1	JRC3106
35	THROTTLE POSITION SENSOR	1	SLD100080
	<i>'Throttle potentiometer'.</i>		
	<i>Included in throttle body assembly.</i>		

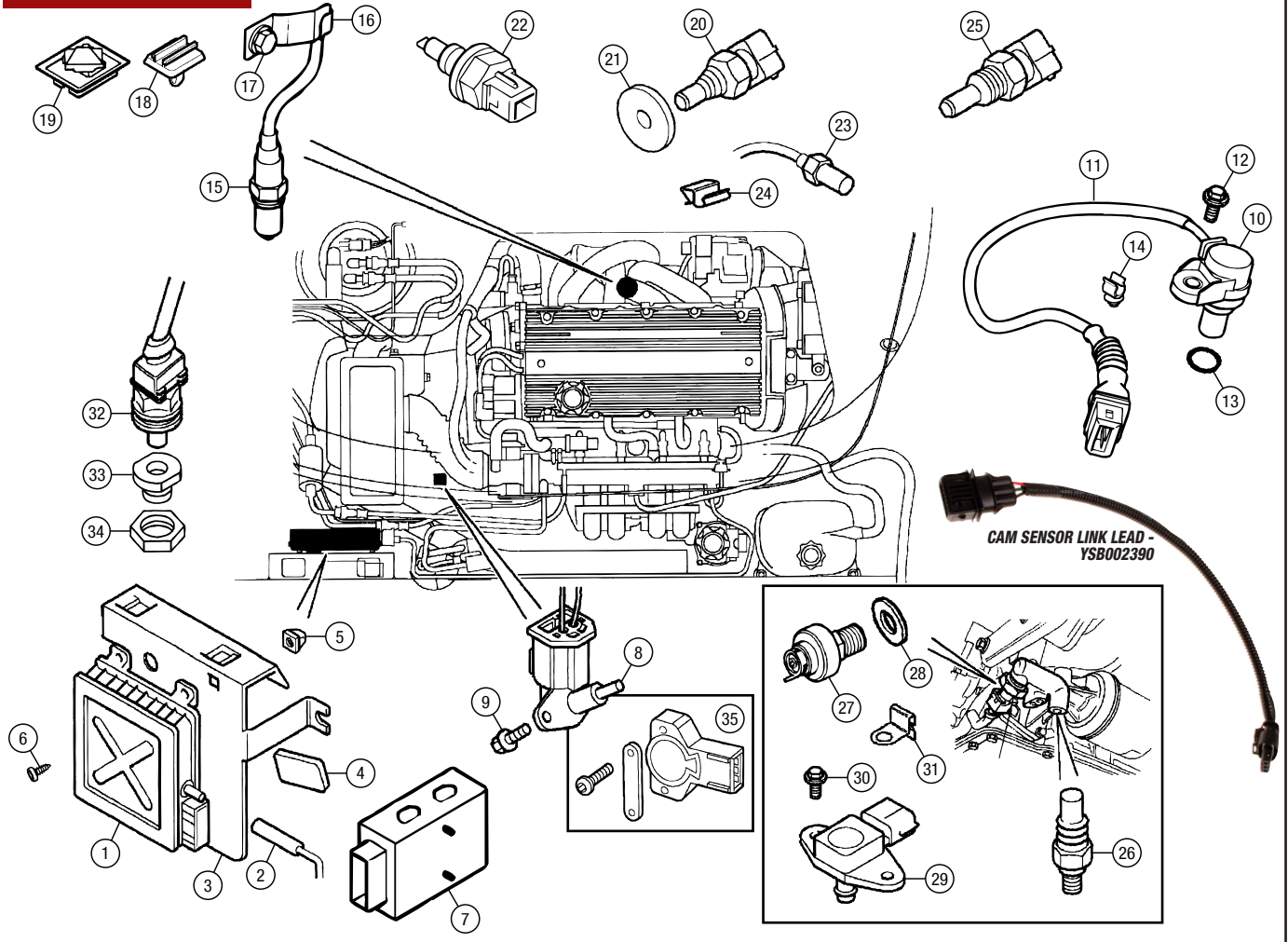
No. DESCRIPTION QTY REQ. PART No.

Engine Sensors - VVC

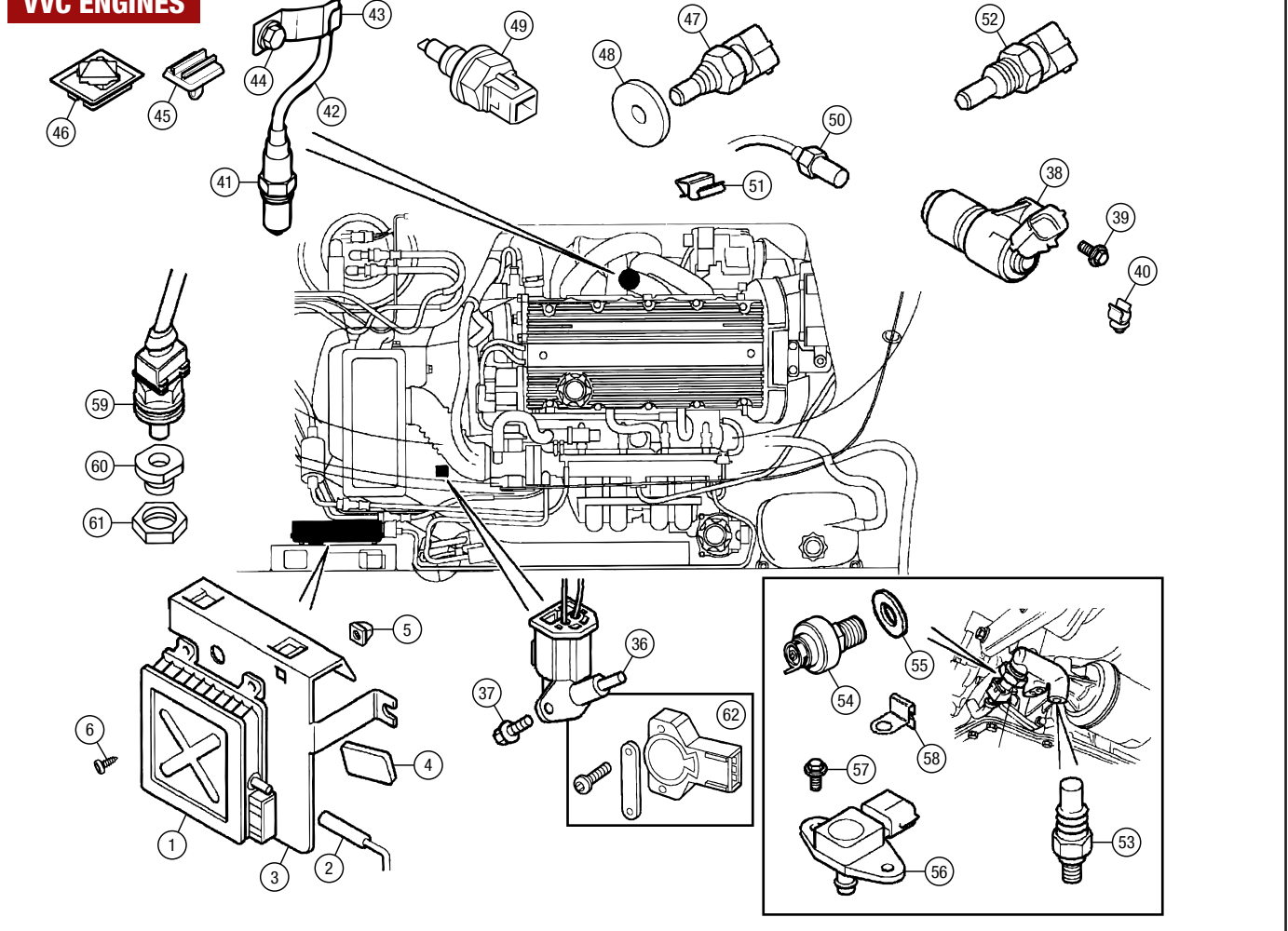
36	CRANKSHAFT SENSOR	1	NSC100760SLP
37	SCREW, crankshaft sensor	1	FS105165
38	CAMSHAFT SENSOR:		
	MGF VVC to VIN YD522572	1	NSC100380
	MGF VVC VIN YD522573 on, MG TF Trophy, MG TF 160		
	MGF Trophy, MG TF 160	1	NSC000010SLP
39	SCREW, camshaft sensor to engine	1	FS106127P
40	CLIP, cam sensor lead to engine	1	ESR1600A
41	OXYGEN ('LAMBDA') SENSOR:		
	MGF VVC to VIN YD522572	1	MHK10006
	MGF VVC VIN YD522573 on, MG TF Trophy, MG TF 160		
	MGF Trophy, MG TF 160	2	MHK100840
42	LINK LEAD, oxygen sensor	1	YM0001360
	<i>MGF Trophy, MG TF 160 only.</i>		
43	BRACKET, oxygen sensor	1	MAU000070
	<i>MGF VVC, MGF Trophy only.</i>		
44	SCREW, oxygen sensor bracket	1	FS105106
	<i>MGF VVC, MGF Trophy only.</i>		
45	CLIP, oxygen sensor lead, to ECU bracket	1	YYC000820
	<i>MGF VVC from VIN YD522573 on, MGF Trophy, MG TF 160.</i>		
46	CLIP, oxygen sensor lead, to cam cover blanking plate	1	YYC103550
	<i>MGF VVC from VIN YD522573 on, MGF Trophy, MG TF 160.</i>		
47	COOLANT TEMPERATURE TRANSDUCER:		
	brown (ignition timing compensation)		
	MGF VVC to VIN YD522572	1	MEK100061
	MGF VVC VIN YD522573 on, MG TF Trophy, MG TF 160	1	MEK000030
	black or blue (sender to coolant temperature gauge)		
	original type, black	1	YCB100370
	replacement type, blue	1	YCB100420
	<i>Note: the replacement blue transducer requires a different, thinner sealing washer (MDY100080, 0.5mm thick) to the original.</i>		
48	WASHER, sealing transducer:		
	for brown transducer	1	MDY100040L
	<i>3.5mm thick washer.</i>		
	for original black transducer	1	MDY100040L
	<i>3.5mm thick washer.</i>		
	for replacement blue transducer	1	MDY100080
	<i>0.5mm thick washer.</i>		
49	AIR INLET TEMPERATURE SENSOR	1	NNK10001
50	TEMP. WARNING SENSOR, catalyst	1	NSC100320
	<i>MGF VVC Japan only, to VIN WDD040179.</i>		
51	CLIP, TEMP. WARNING SENSOR	1	WYC100340
	<i>MGF VVC Japan only, to VIN WDD040179.</i>		
52	COOLANT TEMP. SENSOR, brown	1	MEK000030
	<i>Audible warning temperature sensor.</i>		
53	OIL TEMPERATURE TRANSDUCER:		
	MGF VVC to eng. numbers J89 636256 & J90 618894	1	YCB100290
	MGF VVC from eng. numbers J89 636257 & J90 18895 to VIN XD511058 (to '99)	1	YCB100350
	MGF VVC VIN XD511059 on ('99 on), MG TF Trophy, MG TF 160	1	MEK100160
54	OIL PRESSURE SWITCH:		
	MGF VVC to eng. numbers J89 636256 & J90 618894	1	NUC10003
	MGF VVC from eng. numbers J89 636257 & J90 618895 on, MG TF Trophy, MG TF 160	1	NUC100280
55	WASHER, sealing switch	1	MDY100080
56	Inlet manifold pressure sensor:		
	MGF VVC to VIN YD522572	1	MHK100600
	MGF VVC to VIN YD522573 on, MG TF Trophy, MG TF	1	MHK100820
57	SCREW, sensor to inlet manifold:		
	MGF VVC to VIN YD522572	2	FS106165E
	MGF VVC to VIN YD522573 on, MG TF Trophy, MG TF	2	LYP101690
58	CLIP, sensor lead to inlet manifold	1	YQR101320
59	AMBIENT AIR SENSOR, engine bay	1	MHK100520
60	INSERT, screw-in, sensor	1	LZN10001
61	NUT, sensor	1	JRC3106
62	THROTTLE POSITION SENSOR	1	SLD100080
	<i>'Throttle potentiometer'.</i>		
	<i>Included in throttle body assembly.</i>		



NON-VVC ENGINES



VVC ENGINES





MGF HEADLAMP ASSEMBLY - XBC104050

Headlamps - MGF

- | | | | |
|---|---|---------------------|--|
| 1 HEADLAMP ASSEMBLY: | | | |
| all models except Trophy | | | |
| RHD | | | |
| RH | 1 | XBC104020 | |
| LH | 1 | XBC104030 | |
| LHD | | | |
| RH | 1 | XBC104040 | |
| LH | 1 | XBC104050 | |
| Trophy only | | | |
| RHD | | | |
| RH | 1 | XBC000520 | |
| LH | 1 | XBC000530 | |
| LHD | | | |
| RH | 1 | XBC000540 | |
| LH | 1 | XBC000550 | |
| 2 LENS, headlamp: | | | |
| <i>RHD only, not Trophy. Includes gasket and clips.</i> | | | |
| RH | 1 | XBQ100700 | |
| LH | 1 | XBQ100710 | |
| - BEAM DEFLECTORS, headlamps, pair 1 XBV100580 | | | |
| <i>RHD only. Required in some European countries when driving a RHD vehicle. High-impact acrylic.</i> | | | |
| 3 BULB, headlamp: | | | |
| main/dipped beam (H1 55 watt) | | | |
| standard, each | 4 | GLB448 | |
| xenon, pair | 2 | GLB448X | |
| <i>Super White Xenon.</i> | | | |
| Vision Plus, pair | | | |
| | 2 | GLB448SILVER | |
| <i>Philips, produces a brighter light.</i> | | | |
| 4 BULB, side lamp, 5watt: | | | |
| standard | 2 | GLB501 | |
| LED type (features 4 LEDs) | 2 | GLB501LED | |
| 5 SCREW, headlamp mounting, upper (hex head) | | | |
| | 4 | DEP1198 | |
| 6 SCREW, headlamp mounting, lower (pan head) | | | |
| | 2 | DYP10046 | |
| 7 GROMMET, headlamp mounting | | | |
| | 2 | ADU4029 | |



MGF HEADLAMP BEAM DEFLECTORS - XBV100580



MG TF HEADLAMP ASSEMBLY - XBC002510

Headlamps - MG TF

- | | | | |
|---|---|------------------------|--|
| 8 HEADLAMP ASSEMBLY: | | | |
| RHD | | | |
| RH | 1 | XBC002500 | |
| LH | 1 | XBC002510 | |
| RH (LE 500 spec) | 1 | XBC002500MMM | |
| LH (LE 500 spec) | 1 | XBC002510MMM | |
| LHD | | | |
| RH | 1 | XBC002520 | |
| LH | 1 | XBC002530 | |
| - COVERS, headlamp, pair 1 XBV000160 | | | |
| <i>Accessory high-impact acrylic covers to protect headlamps.</i> | | | |
| 9 BULB, headlamp, main beam 2 XZQ000140 | | | |
| <i>HB3A 60 Watt.</i> | | | |
| 10 BULB, headlamp, dipped beam (H7 55 Watt): | | | |
| standard, each | 2 | XZQ000210 | |
| Narva Power Blue, pair | 1 | XZQ000210BLUE | |
| Narva Power Silver, pair | 1 | XZQ000210SILVER | |
| 11 BULB, side lamp, 5 watt: | | | |
| standard | 2 | GLB501 | |
| LED type (features 4 LEDs) | 2 | GLB501LED | |
| 12 BULB, indicator lamp, 21watt (off set pins): | | | |
| standard, amber, each | 2 | LR000702 | |
| LED type, amber, each | 2 | LR000702LED | |
| silver look amber, pair | 1 | LR000702SILVER | |
| 13 BULB COVER, headlamp 4 XBV000130 | | | |
| 14 BULB COVER, side lamp: | | | |
| RH | 1 | XBV000140 | |
| LH | 1 | XBV000150 | |
| 15 GASKET, side lamp bulb cover 2 XBZ000010 | | | |
| 16 SCREW, side lamp bulb cover 8 DYP10036 | | | |
| 17 BULB HOLDER, indicator lamp 2 XBP100240 | | | |
| 18 SCREW, headlamp mounting, upper 4 DYP10036 | | | |
| 19 SCREW, headlamp mounting, lower 2 DYP10046 | | | |
| 20 GROMMET, headlamp mounting 2 ADU4029 | | | |



MG TF HEADLAMP ASSEMBLY - XBC002500MMM

FRONT FOG LAMP - XBJ100260



FRONT FOG LAMP - XBJ105501



Front Indicators - MGF

- | | | | |
|---|---|-----------------------|--|
| 21 INDICATOR ASSEMBLY, front: | | | |
| up to VIN XD511058 (to '99), amber | | | |
| RH | 1 | XBD100640 | |
| LH | 1 | XBD100650 | |
| from VIN XD511059 on ('99 on), clear | | | |
| RH | 1 | XBD101020 | |
| LH | 1 | XBD101030 | |
| 21A CLEAR INDICATOR & REPEATER KIT 1 VUB105950 | | | |
| <i>MGF to VIN XD511058 (to '99).</i> | | | |
| <i>Converts amber indicators & repeaters to the later clear style.</i> | | | |
| <i>Includes two clear indicators, two clear repeater lenses and four amber bulbs.</i> | | | |
| 22 BULB HOLDER, indicator 2 AMR1421 | | | |
| 23 BULB, 21watt, indicator: | | | |
| clear (for amber lenses) | | | |
| standard | 2 | GLB382 | |
| LED type (features 24 LEDs) | 2 | GLB382LED | |
| amber (for clear lenses) offset pins, 21 watt | | | |
| standard, each | 2 | LR000702 | |
| LED type, each | 2 | LR000702LED | |
| silver look amber, pair | 1 | LR000702SILVER | |

INDICATOR ASSEMBLY



XBD100640

XBD101020

Side Repeaters Lamps - All Models

- | | | | |
|--|-------------------|-------------------------|--|
| 24 SIDE REPEATER LAMP: | | | |
| MGF to VIN XD511058 (to '99) 2 AHU2592 | | | |
| <i>Amber.</i> | | | |
| MGF VIN XD511059 on ('99 on), | | | |
| MG TF 2 | XGB000060A | | |
| <i>Clear.</i> | | | |
| 24A CLEAR SIDE REPEATER KIT 1 RP1042 | | | |
| <i>MGF to VIN XD511058 (to '99).</i> | | | |
| <i>Converts amber repeater lamps to the later clear style.</i> | | | |
| <i>Includes two clear repeater lenses and two amber bulbs.</i> | | | |
| 25 BULB HOLDER, side repeater lamp 2 DCP8004 | | | |
| 26 O RING, bulb holder 2 AFU3112L | | | |
| 27 BULB, 5watt, side repeater lamp: | | | |
| clear (for amber lenses) | | | |
| standard | 2 | GLB501 | |
| LED type (features 4 LEDs) | 2 | GLB501LED | |
| amber (for clear lenses) | | | |
| standard | 2 | XZQ100210L | |
| silver look amber | 2 | XZQ100210LSILVER | |

SIDE REPEATER LAMP



AHU2592

XGB000060A

Front Fog Lamps

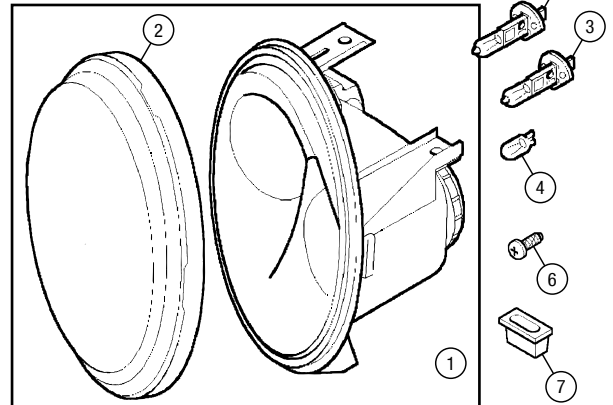
- | | | | |
|--|---|------------------|--|
| 28 FOG LAMP, front, pair: | | | |
| MGF to VIN XD511058 (to '99) 1 XBQ100730 | | | |
| <i>Incl. pair of lamps only.</i> | | | |
| MGF VIN XD511059 on ('99 on) 1 XBQ100950 | | | |
| <i>Incl. pair of lamps only.</i> | | | |
| - FOG LAMP FITTING KIT, MG TF 1 XBQ000120 | | | |
| <i>Incl. fitting kit only, not lamps.</i> | | | |
| 29 FOG LAMP, front, each: | | | |
| MGF to VIN XD511058 (to '99) | | | |
| RH | 1 | XBJ100260 | |
| LH | 1 | XBJ100270 | |
| MGF VIN XD511059 on ('99 on), MG TF | | | |
| RH | 1 | XBJ105501 | |
| LH | 1 | XBJ105511 | |
| - BEZEL, front fog lamps MGF only. (not shown) | | | |
| RH | 1 | DXB100540 | |
| LH | 1 | DXB100550 | |
| 30 BULB, front fog lamp (H11 55 watt) 2 XLQ000110 | | | |
| 31 SCREW, front fog lamp mounting: | | | |
| MGF, MG TF to VIN 4D622375 6 SE106105 | | | |
| MG TF VIN 4D622376 on 6 DYP101510 | | | |



MGF

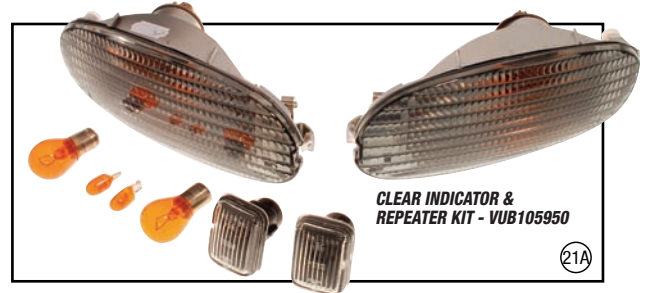
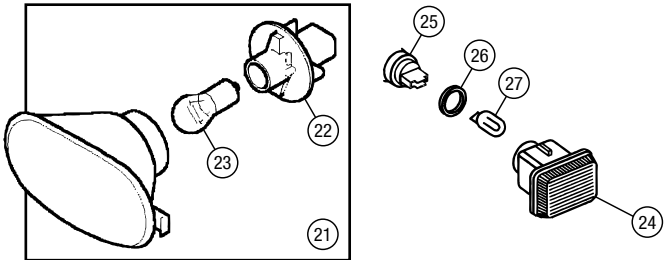
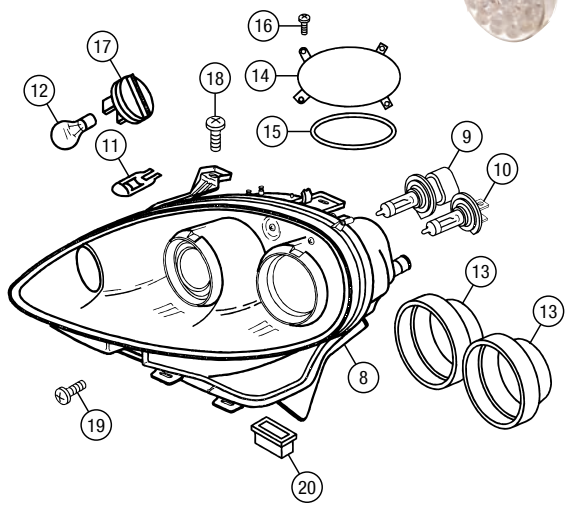
VISION PLUS HEADLAMP BULB - GLB448 SILVER

LED SIDE LAMP BULB - GLB501LED



MG TF

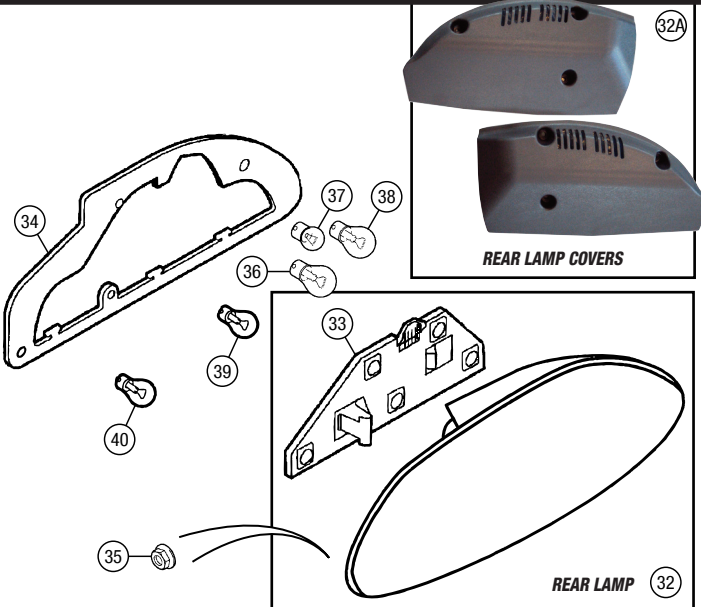
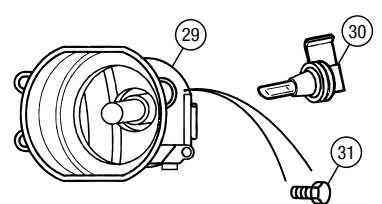
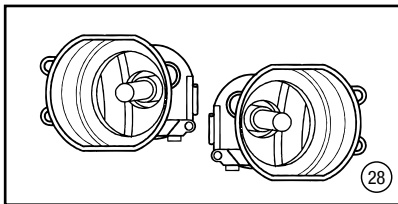
LED INDICATOR LAMP BULB - LR000702LED



CLEAR INDICATOR & REPEATER KIT - VUB105950

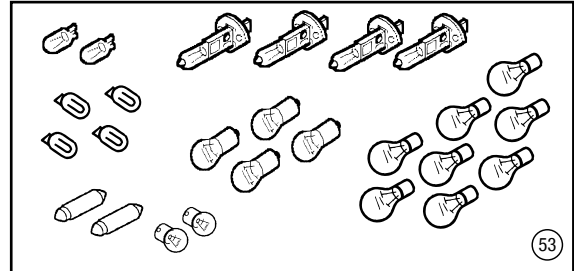
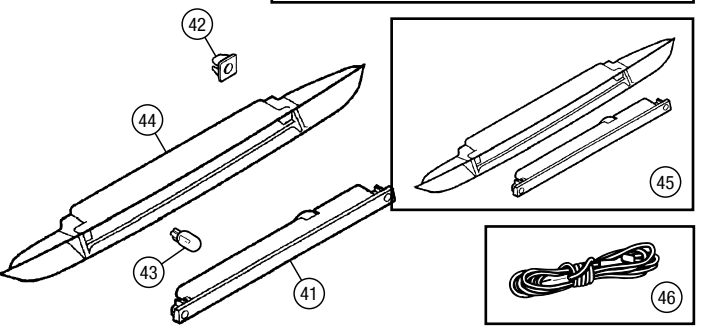
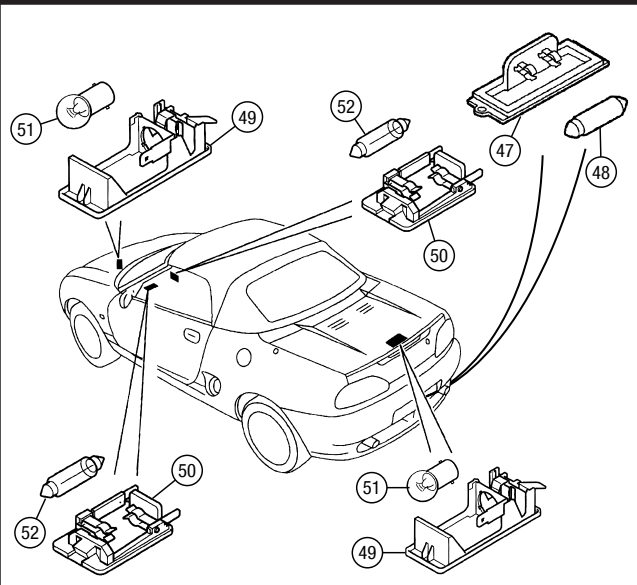


CLEAR SIDE REPEATER KIT - RP1042



REAR LAMP COVERS

REAR LAMP



ORDER

BY PHONE: 01522 568000 / ON LINE: www.rimmerbros.co.uk / E-MAIL: mgrover@rimmerbros.co.uk



No.	DESCRIPTION	QTY REQ.	PART No.	No.	DESCRIPTION	QTY REQ.	PART No.	No.	DESCRIPTION	QTY REQ.	PART No.
-----	-------------	----------	----------	-----	-------------	----------	----------	-----	-------------	----------	----------



MGF REAR LAMP ASSEMBLY (RH) - XFB101600



MG TF REAR LAMP ASSEMBLY (LH) - XFB000550

Rear Lamps

32 REAR LAMP ASSEMBLY:

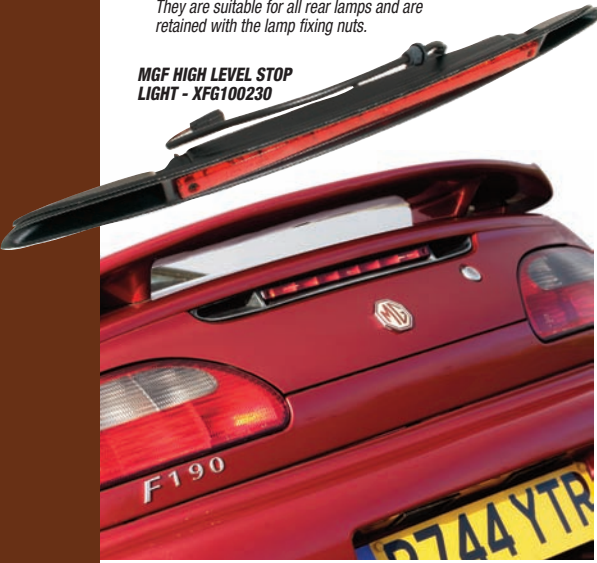
original style			
MGF			
RH	1	XFB101600	
LH	1	XFB101610	
MG TF			
<i>Can be retro-fitted to earlier models for an updated look.</i>			
RH	1	XFB000540	
LH	1	XFB000550	

Lexus style
Alternative Lexus-inspired rear lamp assemblies, supplied in pairs, for an individual look. Easy to fit.

chrome	1	XPT000152ACAP	
black	1	XPT000152ACBP	

32A REAR LAMP ACCESS COVERS, pair 1 ZUA000640
Originally developed for the Nanjing MG TF LE, this pair of covers will tidy up the boot of an MGF or MG TF, while also protecting the bulb holders and wiring from inadvertent knocks and scrapes. They are suitable for all rear lamps and are retained with the lamp fixing nuts.

MGF HIGH LEVEL STOP LIGHT - XFG100230



LEXUS STYLE CHROME REAR LAMPS - PAIR XPT000152ACAP



LEXUS STYLE BLACK REAR LAMPS - PAIR XPT000152ACBP

33 BULB HOLDER, rear lamp:
Incl. in rear lamp assemblies.

RH	1	XFM100180	
LH	1	XFM100190	

34 GASKET, rear lamp to body 2 XFH100440

35 NUT, rear lamp to body 6 AFU2796

36 BULB, rear lamp:

brake light			
standard, clear 2 GLB382			
LED type (features 24 LEDs) 2 GLB382LED			
37 BULB, tail light, clear (standard bulb) 2 GLB207			
38 BULB, indicator (off set pins 21W):			
standard, amber, each 2 LR000702			
LED type, amber, each 2 LR000702LED			
silver look amber, pair 1 LR000702SILVER			
39 BULB, reversing light:			
standard, clear 2 GLB382			
LED type (features 24 LEDs) 2 GLB382LED			
40 BULB, fog lamp:			
standard, clear 2 GLB382			
LED type (features 24 LEDs) 2 GLB382LED			
41 HIGH LEVEL STOP LAMP:			
MGF (bulb type lamp) 1 XFG100230			
MG TF (LED type lamp) 1 XFG000050			
42 FIXING, high level stop lamp 2 BNP4106			
43 BULB, high level stop lamp A/R XZQ100200			
<i>MGF high level stop lamp only.</i>			
44 FINISHER, high level stop lamp:			
<i>MGF high level stop lamp only.</i>			
original black finish 1 CKE100820			
anodised silver finish 1 CKE100820AS			
45 RETRO-FIT KIT, high level stop lamp:			
<i>Some early MGFs were not fitted with a high level stop lamp as standard.</i>			
<i>The retro-fit kit, supplied with lamp, boot lid finisher, wiring and instructions, enables easy conversion of these cars.</i>			
with black finisher 1 XFN100180K			
with anodised silver finisher 1 XFN100180KAS			
46 WIRING KIT ONLY, high level stop lamp 1 RP1492			
<i>Early non-ABS MGFs not previously fitted with high level stop lamp.</i>			

Number Plate Lamp

47 NUMBER PLATE LAMP ASSY 2 XFC000200	
48 BULB, number plate lamp 2 GLB239	



NUMBER PLATE LAMP ASSY - XFC000200

Interior Lamps

49 INTERIOR LAMP, front and rear loadspaces 2 XDE000300	
50 INTERIOR LAMP, footwell/glovebox 2 ADU2066	
51 BULB, INTERIOR LAMP, loadspace lamps (10 watt) 2 GLB245	
52 BULB, INTERIOR LAMP, footwell/glovebox lamps (5 watt) 2 GLB239	

Bulb Kit

A legal requirement for travelling in several European countries and a must for touring everywhere.

53 CAR SET BULB KIT:
Car set of exterior lighting bulbs. Each bulb is supplied individually. Carry case not supplied.

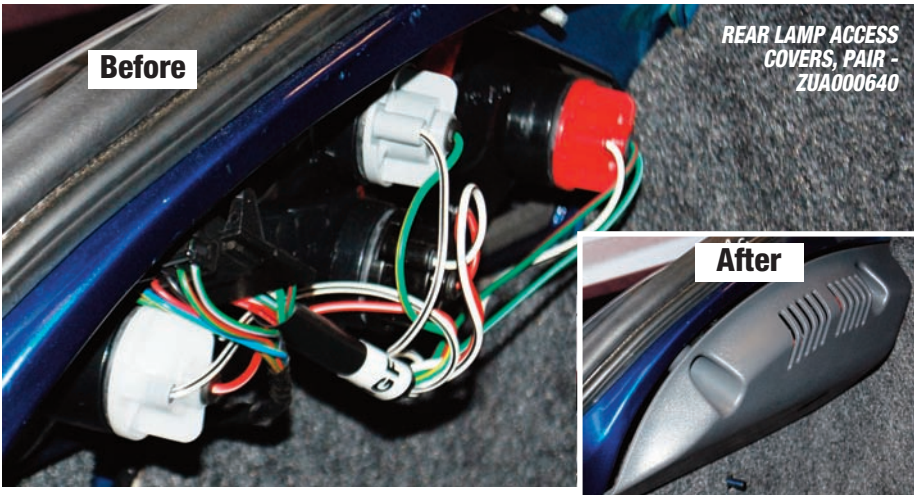
MGF 1 VUB105060	
MG TF 1 VUB002890	

BASIC BULB KIT:
One exterior lighting bulb of each type included. Each bulb is supplied individually. Carry case not supplied.

MGF 1 RP1569	
MG TF 1 RP1569F	



BULB KIT, MGF - VUB105060



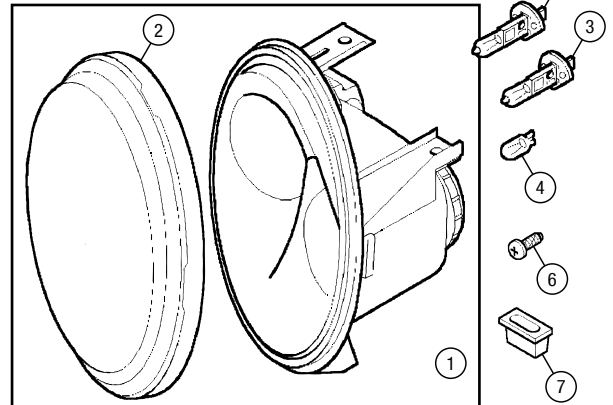
REAR LAMP ACCESS COVERS, PAIR - ZUA000640



MGF

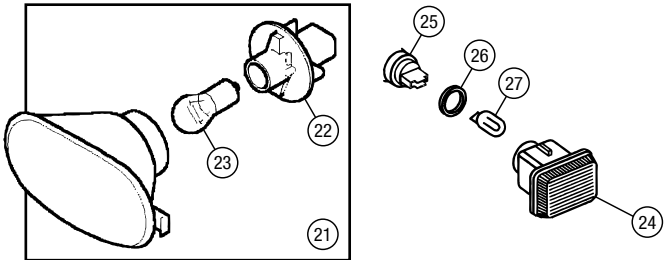
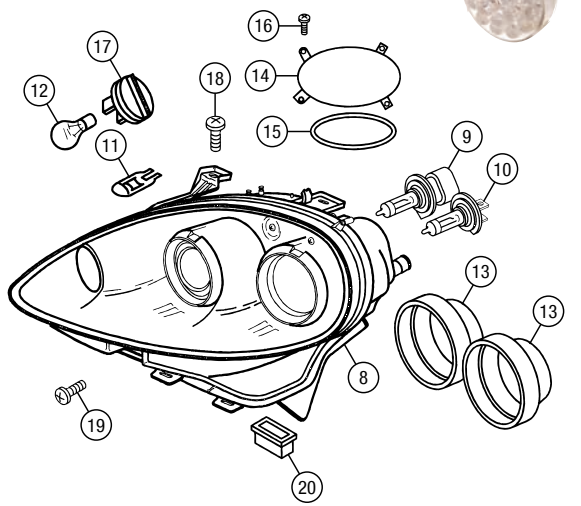
VISION PLUS HEADLAMP BULB - GLB448 SILVER

LED SIDE LAMP BULB - GLB501LED



MG TF

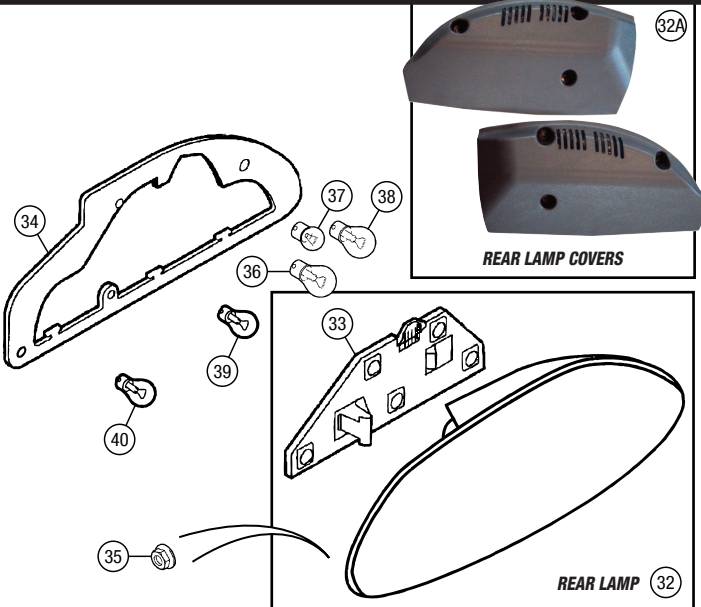
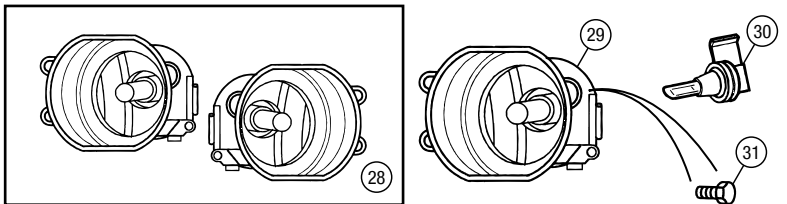
LED INDICATOR LAMP BULB - LR000702LED



CLEAR INDICATOR & REPEATER KIT - VUB105950

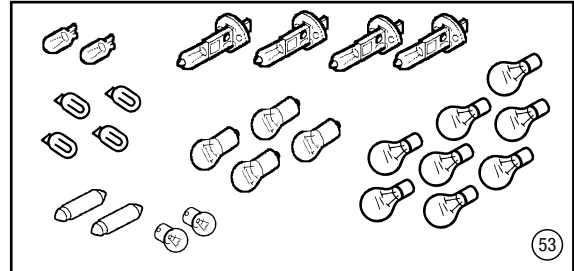
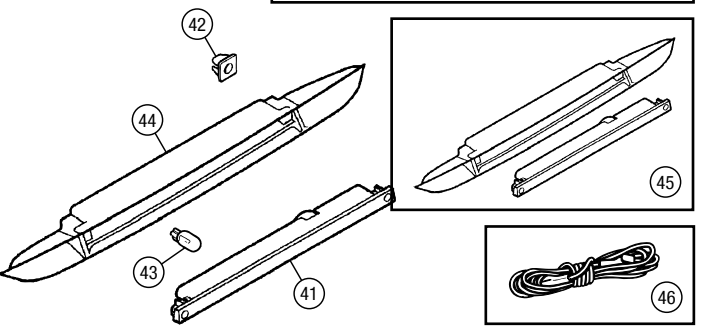
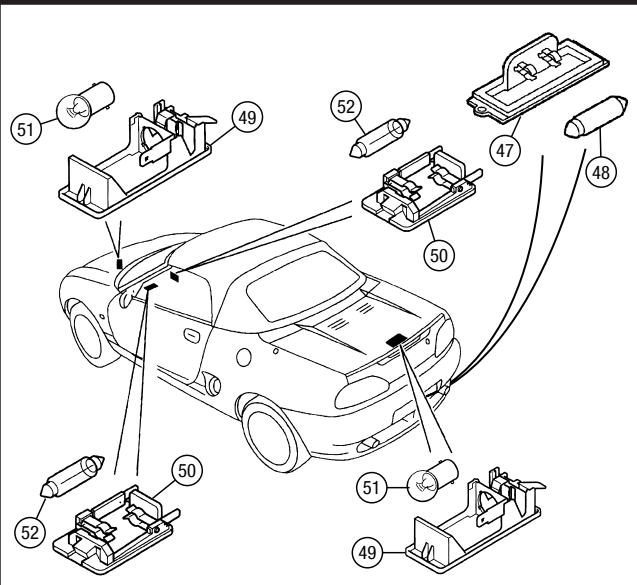


CLEAR SIDE REPEATER KIT - RP1042



REAR LAMP COVERS

REAR LAMP





No.	DESCRIPTION	QTY REQ.	PART No.	No.	DESCRIPTION	QTY REQ.	PART No.	No.	DESCRIPTION	QTY REQ.	PART No.
-----	-------------	----------	----------	-----	-------------	----------	----------	-----	-------------	----------	----------

Wiper Mechanism

1	WIPER MOTOR ASSEMBLY: MGF to VIN YD514325 (to '00) MGF from VIN YD514326 on ('00 on), MG TF	1	DLB000260
2	BOLT, wiper motor mounting	3	EYG100160
3	MECHANISM, wiper motor: RHD LHD	1 1	DKD100450 DKD100440
4	REPAIR KIT, wiper drive arms: original fitment improved design <i>Features metal ball joints.</i>	1 1	DKT000010 DKT000010UR
5	MOUNTING RUBBER, spindle	2	DKK100060
6	WASHER, spindle sealing	2	DYF100510
7	WASHER, plain, spindle	2	DYF100500
8	NUT, large, spindle	2	DYH100710
9	SEAL, upper, spindle	2	DLD100100
10	MOUNTING RUBBER, mechanism	1	DLW100040
11	BOLT, mechanism mounting	1	DYP10015
12	NUT, wiper arm to spindle, domed, driver's side	1	DYH100780
13	NUT, wiper arm to spindle, flat, passenger's side	1	NT108041
14	CAP, nut, passenger's side	1	DCP4918EVA

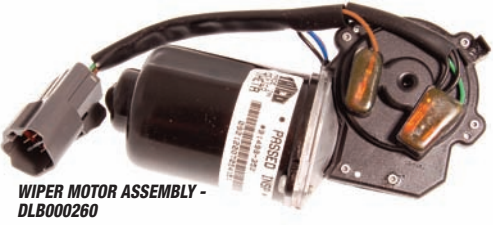


Wiper Arm & Blades

15	WIPER ARM, driver's side RHD LHD	1 1	DKB102030 DKB102050
16	WIPER ARM, passenger's side RHD LHD	1 1	DKB102040 DKB102060
17	WIPER BLADE, driver's side RHD LHD	1 1	DKC000190 DKC100670
18	WIPER BLADE, passenger's side RHD & LHD	1	DKC100661

Windscreen Washers

19	WASHER BOTTLE ASSEMBLY	1	ADU3906
20	CAP (incl. in washer bottle ass'y)	1	DMG10001L
21	GROMMET, washer pump (incl. in washer bottle ass'y)	1	BAU2043A
22	WASHER PUMP	1	DMC100380
23	JET ASSEMBLY, washer (twin nozzle) <i>The later twin nozzle jet may be used to replace the earlier single nozzle item, but if so doing it is recommended to replace both jets at the same time.</i>	2	DNJ000380
24	GASKET, washer jet	2	DNK10002L
25	NON-RETURN VALVE	1	AMR6676
26	ELBOW, washer tube	1	DNG10013
27	TEE PIECE, washer tube	1	AFU2515
28	WASHER TUBE, 5m length 4mm internal diameter, black.	1	DNH000150BLA
29	CLIP, washer tube, plastic	4	YYC10037
30	CLIP, washer tube, metal, edge	2	DYC101280
31	TIE WRAP, washer tube	1	BMK1900



WIPER MOTOR ASSEMBLY - DLB000260



WIPER MOTOR MECHANISM - DKD100450



IMPROVED DESIGN WIPER ARM REPAIR KIT - DKT000010UR

WASHER PUMP - DMC100380



NON-RETURN VALVE - AMR6676

TWIN NOZZLE, WASHER JET ASSEMBLY - DNJ000380



HORN, LOW NOTE - GGE165



HORN, HIGH NOTE - GGE164



Horns

32	HORN, low note: original equipment aftermarket	1 1	YEB100780 GGE165
33	HORN, high note: original equipment aftermarket	1 1	YEB100770 GGE164
34	AIR HORN KIT, pair <i>Including fittings.</i>	1	RX1381
35	SCREW, original horn mounting	2	DCP5044

AIR HORN KIT - RX1381



PHOTO COURTESY OF ROB HAWKINS





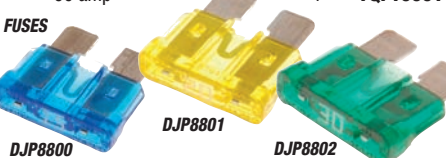
ELECTRICAL - FUSES, RELAYS & RADIO

No. DESCRIPTION QTY REQ. PART No.

Fuseboxes & Fuses

PASSENGER COMPARTMENT & ENGINE BAY FUSEBOXES

- 36 FUSEBOX, passenger compartment:
 - MGF, MG TF to VIN 3D610317 1 **YPP100290**
 - MG TF from VIN 3D610318 on 1 **YQE000510**
- 37 BRACKET, fusebox:
 - MGF, MG TF to VIN 4D620548
 - RHD 1 **YQU103860**
 - LHD 1 **YQU103870**
 - MG TF from VIN 4D620549 on 1 **YQU000420**
- 38 SCREW, bracket to body 2 **FS106127P**
- 39 NUT, fusebox to bracket 2 **FN106047**
- 40 FUSEBOX, engine bay:
 - MGF to VIN XD511058 1 **YPP100310**
 - MGF from VIN XD511059 on 1 **YQE103670**
 - MG TF 1 **YQE000400**
- 41 COVER, engine bay fusebox, upper:
 - MGF
 - up to VIN XD511058 1 **YQH100440**
 - from VIN XD5511059 on 1 **YQH101090**
 - MG TF
 - up to VIN 3D610317 1 **YQH000210**
 - from VIN 3D610318 on 1 **YQH000270**
- 42 COVER, engine bay fusebox, inner 1 **YQH10004L**
- 43 COVER, engine bay fusebox, lower 1 **YQH10002**
- 44 BOLT, fusebox securing 2 **ALU1595**
- 45 FUSE, engine & passenger compartment fuseboxes:
 - 5 amp 1 **YQF003105EVA**
 - Airbag control. Fitted to MGF, MG TF to VIN 4D620548.*
 - 10 amp (red) A/R **DJP8799**
 - 15 amp (blue) A/R **DJP8800**
 - 20 amp (yellow) A/R **DJP8801**
 - 30 amp A/R **DJP8802**
- 46 EXTRACTOR, fuse 1 **P1PWN492**
- 47 FUSEBLOCK, engine bay fusebox:
 - 30 amp 1 **EAP3166**
 - 40 amp 1 **EAP3179**
 - 60 amp 1 **YQF10001**



ELECTRONIC POWER STEERING (EPAS) FUSE

MGF with Power Steering, MG TF all models to VIN 3D610317

- 48 FUSE, 40 amp, power steering 1 **YQG10009**
- 49 FUSEHOLDER, power steering 1 **YQZ100020**
- 50 COVER, power steering fuseholder 1 **YQH100450L**
- 51 BRACKET, fuseholder 1 **YQU103880**

ALTERNATOR FUSE

MGF from VIN YD522573 on, MG TF

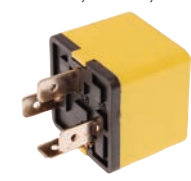
- 52 FUSE, 80 amp, alternator 1 **YQG10013**
- 53 COVER, alternator fuse 1 **YQH100450L**
- MGF from VIN YD522573 on, MG TF to VIN 4D620548.*
- 54 SCREW, alternator fuse 1 **DA608044L**
- MGF from VIN YD522573 on, MG TF to VIN 4D620548.*
- 55 NUT, Lokut, alternator fuse 1 **DRC5582**
- MGF from VIN YD522573 on, MG TF to VIN 4D620548.*
- 56 BRACKET, alternator fuse 1 **YSU000060**
- MG TF from VIN 4D620549 on.*



No. DESCRIPTION QTY REQ. PART No.

Relays & Control Units

- 57 RELAY, passenger compartment fusebox, hood heated rear window 1 **YWB000440**
- MG TF from VIN 5D639631 on.*
- 58 RELAY, passenger compartment fusebox, flasher unit 1 **YWT10003**
- 59 RELAY, passenger compartment fusebox, round 1 **DJP8473**
- 60 RELAY, underbonnet, engine management relay
 - MGF, MG TF up to VIN 3D610317 1 **YWB100970**
 - MG TF VIN 3D610318 on 1 **YWB000440**
- 61 RELAY, underbonnet, air conditioning
 - MGF, MG TF up to VIN 4D620548 1 **YWB100801**
 - MG TF VIN 4D620549 on 1 **YWB000440**
- 62 RELAY, underbonnet, yellow hard top heated window 1 **YWB10012L**
- front fog lamps 1 **YWB10012L**
- 63 RELAY, footwell, fuel pump 1 **YWB100790L**



YELLOW RELAY - YWB10012L

- 64 LINK, shorting, relay 1 **YWZ10001**
- MGF up to VIN XD511058.*
- BRACKET, fuse and relay, 3 way 1 **YQU000390**
- MG TF from VIN 3D610318 on.*
- BRACKET, relay 1 **YQU000500**
- MG TF from VIN 4D620549 on.*
- 65 CONTROL UNIT, power steering:
 - Located on steering cross tube.*
 - MGF up to VIN XD511058 1 **YWC103773**
 - MGF VIN XD511059 on 1 **YWC106740**
 - MG TF 1 **YWC000720**
- 66 CONTROL UNIT, electric window one-touch lift 1 **YWC106170**
- Located on lower A post.*
- 67 CONTROL UNIT, multifunction 1 **YWC104500**
- MGF, MG TF to VIN 4D620548.*
- Located on passenger compartment fusebox.*
- 68 BRACKET, steering control unit 1 **YQU104830**
- 69 SCREW, window control unit 2 **DA608044L**
- 70 NUT, window control unit 2 **DRC5582**

Aerial

- 71 BASE, aerial, with co-ax cable 1 **XUF000030**
- 72 MAST, aerial:
 - original type 1 **XUJ000080**
 - accessory type
 - High quality aerial in a choice of four anodised colours.*
 - Features two different mast lengths and anti-theft design.*
 - black 1 **RP1096BLACK**
 - silver 1 **RP1096SILVER**
 - red 1 **RP1096RED**
 - blue 1 **RP1096BLUE**



AERIAL BASE, XUF000030

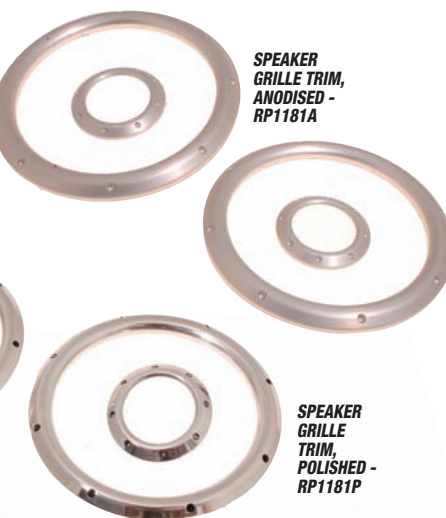
No. DESCRIPTION QTY REQ. PART No.



DOOR SPEAKER, TWEETER - XQN000340LNF

Speakers & Radio Fittings

- 73 DOOR SPEAKER, cone and tweeter 2 **XQM10052**
- MGF up to VIN XD511058.*
- 74 DOOR SPEAKER, single cone
 - MGF from VIN XD511059 on, MG TF up to VIN 4D631675 2 **XQM101390**
 - MG TF from VIN 4D631676 on 2 **XQM000860**
- 75 DOOR SPEAKER, tweeter 2 **XQN000340LNF**
- MGF from VIN XD511059 on, MG TF.*
- 76 SCREW, speaker to door 6 **DA608054L**
- 77 NUT, Lokut, speaker to door 6 **BNP4106**
- 78 WASHER, starlock, speaker grille 6 **SYF100320**
- 79A GRILLE, door speaker 2 **EJW100590PMA**
- 79B SPEAKER GRILLE TRIM:
 - MGF from VIN XD511059 on, MG TF. Set of four trim rings, fitting both speakers and tweeters, in alternative finishes.*
 - polished alloy 1 **RP1181P**
 - anodised alloy 1 **RP1181A**
- 80 REAR BULKHEAD SPEAKER ASS'Y:
 - MGF from VIN XD511059 on, MG TF.*
 - standard 1 **XQM000790**
 - slimline subwoofer, 1 **XPT000125ACA**
 - Use to replace rear bulkhead speakers when roll hoops are fitted. Under-seat location.*
- 81 BOLT, speaker ass'y to body 4 **API000010**
- 82 GRILLE, rear bulkhead speaker:
 - From VIN XD511059.*
 - RH 1 **XQB100940**
 - LH 1 **XQB100950**
- 83 WASHER, starlock, speaker grille 8 **EYF105390**
- 84 CO-AXIAL CABLE, radio 1 **XUD100430**
- 85 MOUNTING CAGE, radio head unit 1 **XQU10020L**
- 86 BUFFER, radio head unit 1 **XYD000010**
- 87 LINK HARNESS:
 - Kenwood single CD player 1 **YMQ104530L**
 - Kenwood CD autochanger 1 **YMW000290**
 - lovox CD player 1 **YMW001560**
 - lovox to Siemens conversion 1 **YMW002120**
 - CD AUTOCHANGER FITTING KIT 1 **VUD100380**
 - RADIO FACE/PAD, detachable 1 **XQ1100020**

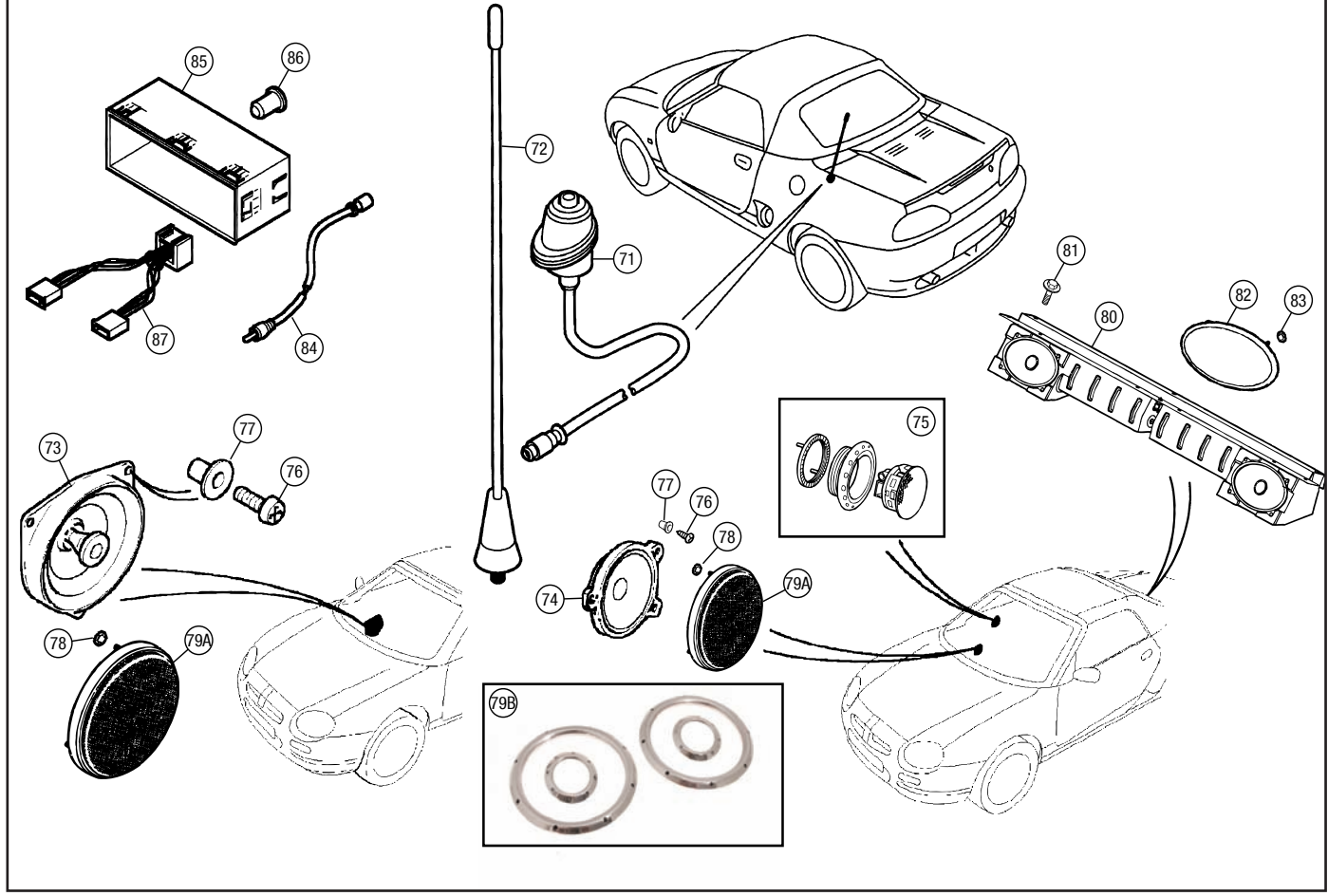
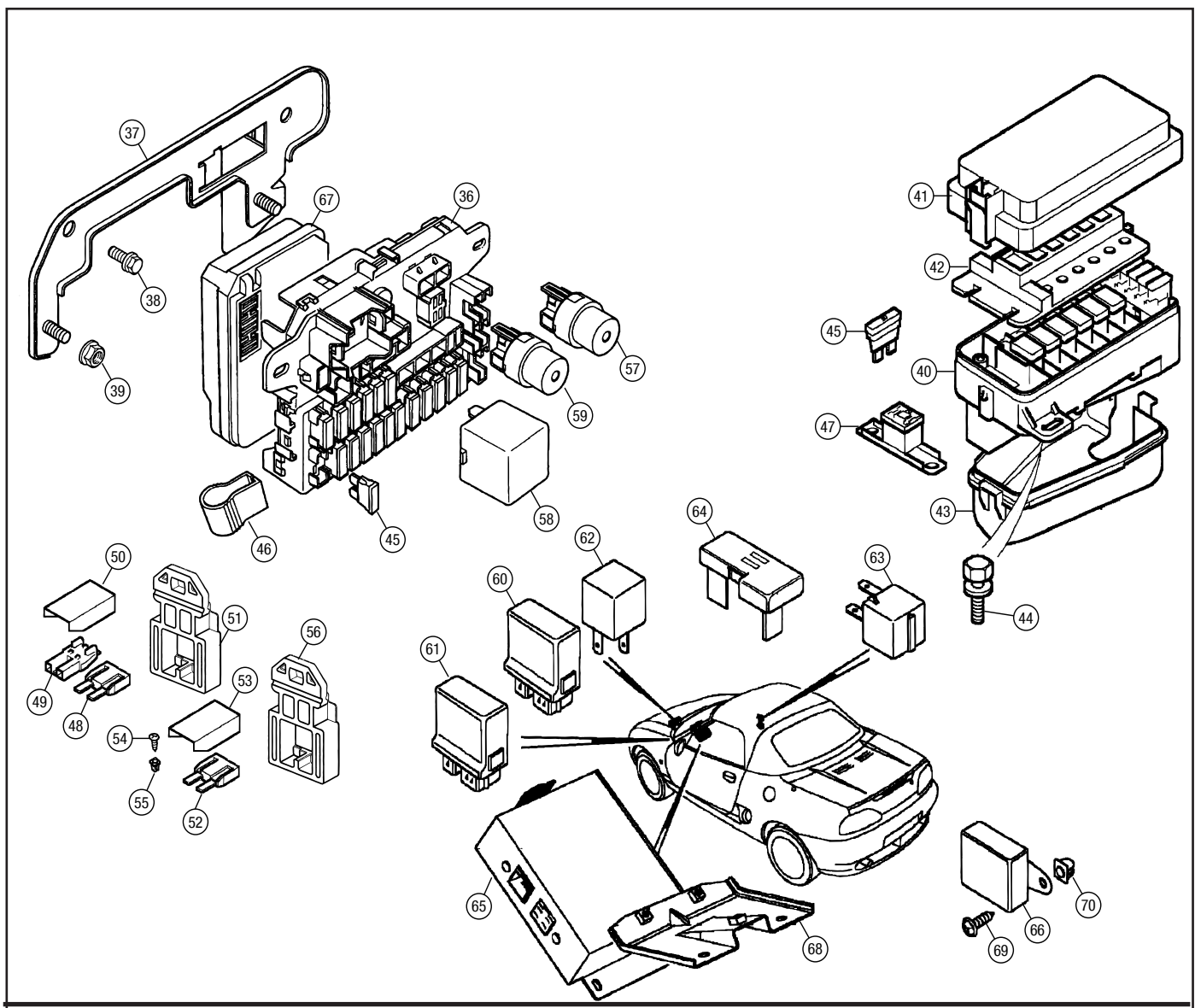


SPEAKER GRILLE TRIM, ANODISED - RP1181A

SPEAKER GRILLE TRIM, POLISHED - RP1181P



ELECTRICAL - FUSES, RELAYS & RADIO



ORDER BY PHONE: 01522 568000 / ON LINE: www.rimmerbros.co.uk / E-MAIL: mgrover@rimmerbros.co.uk



ELECTRICAL - BATTERY, SECURITY, PDC, AIRBAGS

No. DESCRIPTION QTY REQ. PART No.

Battery & Fittings

- 1 BATTERY, original equipment type:
 - Please note that batteries cannot be shipped by mail order and may only be collected from the counter.
 - non-power steering 1 GBY063
 - with power steering 1 GBY027
- 2 COVER, positive terminal 1 YPH100230
Original equipment type batteries only.
- 3 CLAMP, battery fixing 1 YJF10003
- 4 SCREW, battery clamp 1 FS108207L
- 5 CABLE, battery, positive to starter manual
 - MGF to VIN XD511058 1 YTA100700
 - MGF VIN XD511059 on, MG TF 1 YTA000440
 - automatic 1 YTA000450
- 6 CABLE, battery, positive to fusebox
 - MGF, MG TF to VIN 2D602226 1 YTA107080
 - MG TF VIN 2D602227 on 1 YTA000330
- 7 CABLE, battery, positive to power steering fuse
 - Not MGF with manual steering. 1 YTA100820
- 8 CABLE, battery, negative to body 1 YTB000310
- 9 SCREW, negative cable to body 1 YYG10005A
- 10 WASHER, cable to body screw 1 EJP6508
- 11 CLIP, cables to fusebox 2 AAU7969
- 12 SCREW, cable clips to fusebox 1 YYP10031
- 13 EARTH LEAD, brake modulator to body
 - MGF, MG TF with ABS brakes only. 1 YTB100740
- 14 EARTH LEAD, gearbox to body: manual
 - MGF to VIN YD522572 1 YTB100730
 - MGF VIN YD522573 on, MG TF 1 YTB101310
 - automatic 1 YTB101310
- 15 SCREW, brake modulator earth lead
 - MGF, MG TF with ABS brakes only. 1 YYG10006
- 16 SCREW, gearbox earth lead, manual
 - MGF to VIN YD522572 1 FS110207
 - MGF VIN YD522573 on, MG TF 1 FS110161
 - automatic 1 FS110161

Dis-Car-Nect

- See opposite for more information.
- DIS-CAR-NECT IMMOBILISER KIT 1 RX1356
 - REPLACEMENT KNOB 1 RX1356KNOB
 - REPLACEMENT FUSE 1 RX1356FUSE

Battery Conditioner

The battery conditioner is a battery charger that turns on and off automatically. This superb product is suitable for all 12 volt batteries (from 5ah to 100ah) and constantly revitalises the battery cells - helping to extend cell life, without the danger of overcharging.

Look at these benefits:

- Designed to be left connected for long periods.
- Use without disconnecting vehicle electrics.
- L.E.D. battery condition display. Thermal cut-out facility. 12 month guarantee.

It can also be used for the following applications, providing they use a 12 volt battery: caravans, lawn mowers, motorbikes, motor boats, wheel chairs and general leisure use. The kit is supplied complete with all fittings and operating instructions.

- BATTERY CONDITIONER KIT:
- 0.8 amp version 1 RX1410CTEK
 - 3.8 amp version 1 RX1410CTEK3800



Battery Charger

- BATTERY CHARGER, 6 and 12 volt 1 GAC7106
Conventional battery charger, ideal for charging a flat battery quickly or overnight charging.
- BATTERY ACID TESTER 1 CONS295230

No. DESCRIPTION QTY REQ. PART No.

Burglar Alarm

- Important note:** Replacement of the alarm control unit (ECU) or remote transmitter must be done with a new item featuring the same frequency as the original. As a general guide, 433Mhz frequency equipment is used on UK and European cars, 315Mhz for the rest of the world. The frequency of the original ECU can be identified by a single large letter printed on the ECU casing:
- 'L', 'H', 'R' or 'A' indicate 433Mhz (new ECUs show 'A')
'M', 'K', 'S', 'T' or 'B' indicate 315Mhz (new ECUs show 'B')
- The frequency of the original remote transmitter can be identified by opening the casing and viewing the printed circuit board from the battery side. The markings on a small silver cap on the board will indicate the frequency:
- '1207' indicates 433Mhz '1239' indicates 315Mhz
- Replacement ECUs and remote transmitters will require programming before use. We provide a programming service, to personal callers only, for synchronising new ECUs and remote transmitters with your car.
- 17 CONTROL UNIT (ECU), alarm:
 - 433Mhz frequency
 - MGF, MG TF to VIN 4D620548 1 YWC000980
 - MG TF VIN 4D620549 on 1 YWC001541
 - 315Mhz frequency
 - MGF, MG TF to VIN 4D620548 1 YWC105340
 - MG TF VIN 4D620549 on 1 YWC001551
 - 18 BRACKET, ECU to heater control:
 - MGF, MG TF to VIN 4D620548 1 YQU104800
 - MG TF VIN 4D620549 on 1 YQU000510
 - 19 SCREW, bracket to heater control
 - MGF, MG TF to VIN 4D620548. 2 DA608044L
 - 20 NUT, plastic, ECU to bracket
 - MGF, MG TF to VIN 4D620548. 2 CYH10001L
 - 21 SCREW, ECU and bracket
 - MG TF from VIN 4D620549 on. 3 DA608034
 - 22 REMOTE TRANSMITTER, alarm:
 - Remotes used up to 2004 (VIN 4D620548) are trapezoid in shape; from 2004 on they are round.
 - 433Mhz frequency
 - MGF, MG TF to VIN 4D620548 A/R YWX101220A
 - MG TF VIN 4D620549 on A/R YWX000360
 - 315Mhz frequency
 - MGF, MG TF to VIN 4D620548 A/R YWX101230A
 - MG TF VIN 4D620549 on A/R YWX000310
 - 23 BATTERY, remote transmitter
 - One battery required per remote. 1 YWK10003
 - 24 REPAIR KIT, remote transmitter
 - A/R YWX101010
 - For trapezoid shaped remotes, up to VIN 4D620548 (2004). Includes new casing with buttons.
 - 25 SENSOR, volumetric:
 - Note that when replacing the microwave unit on MGFs prior to VIN WD030082 (1998), a link harness YMQ103410 (see item 26) must also be fitted.
 - MGF to VIN YD525771 1 YWC105910
 - MGF VIN YD525772 on, MG TF 1 YWC000690
 - 26 LINK HARNESS, volumetric sensor
 - MGF from VIN WD030082 on, MG TF. 1 YMQ103410
 - 27 SCREW, sensor to rear console 2 DA608057
 - 28 MODULE, transponder antenna,
 - MGF from VIN XD511059 on, MG TF (not Japan). Automatically recognises remote transmitter to cancel immobiliser. with harness 1 YWD100082
 - 29 MODULE, transponder antenna,
 - MGF from VIN XD511059 on, MG TF (not Japan). Automatically recognises remote transmitter to cancel immobiliser. without harness 1 YWD100081
 - 30 SWITCH, alarm and courtesy lights 4 YUE10011
 - 31 SCREW, switch to body 4 AB606039
 - 32 BRACKET, bonnet security harness 1 YQU104040
 - 33 SCREW, bracket to body 2 FS106125

Parking Distance Sensors

- PARKING DISTANCE CONTROL KIT:
- genuine MG Rover
 - complete kit with fixings 1 VUB104430
 - Kit includes control unit, transducer, sensors, brackets, wiring harnesses, speaker and instructions for rear bumper fitment.
 - electronic control unit only 1 VVV100010
 - speaker only 1 XQM101370
 - Bearmach 1 RX1559BM
- Sensors neatly integrate into the vehicle's bumper and will detect obstacles behind or in front of your vehicle whilst manoeuvring into position. As an obstacle is approached, the sensors trigger the acoustic alarm which rises in frequency the closer the vehicle gets. Quick and easy to install - fits any vehicle. 3 level buzzer alarm to indicate obstacles. 12 or 24v power supply. Sensors can be painted to match vehicle.
- Britpart 1 RX1559BP
- Suitable for all vehicles with plastic bumpers; add and extra set of 'eyes' when reversing. These bumper mounted sensors will detect the distance between your vehicle and any rear obstruction and warn the driver to any potential obstructions. Three stage alarm sound warning system. Will not fit vehicles with metal bumpers. Kit includes: 4 bumper fit sensors, warning buzzer, control unit, wiring harness, cutting tool, fittings and fixings, plus installation instructions.

No. DESCRIPTION QTY REQ. PART No.

SRS (Airbag System)

Important notes: Inspection and replacement of SRS equipment (airbag modules, steering wheel rotary coupler, seat belt pre-tensioners and ECUs) is dependent on type and severity of crash condition. The following guidelines are the minimum that should be exercised as a result of the deployment of specific SRS components.

- If front airbags are deployed, the following parts must be replaced:**
- Driver's airbag module
 - Passenger's airbag module (if fitted)
 - Link harnesses connecting modules to SRS harness
 - Seat belt pre-tensioners
 - Driver's seat belt retractor
 - Rotary coupler
 - SRS deployment control module

- The following should be inspected for damage and replaced where necessary:**
- Passenger's seat belt retractor and anchorage
 - Fascia moulding adjacent to passenger's airbag module
 - Steering wheel
 - Seat frames and head restraints
 - Steering column

- If either or both seat belt pre-tensioners are deployed in a rear impact, the following parts must be replaced:**
- Both seat belt pre-tensioners

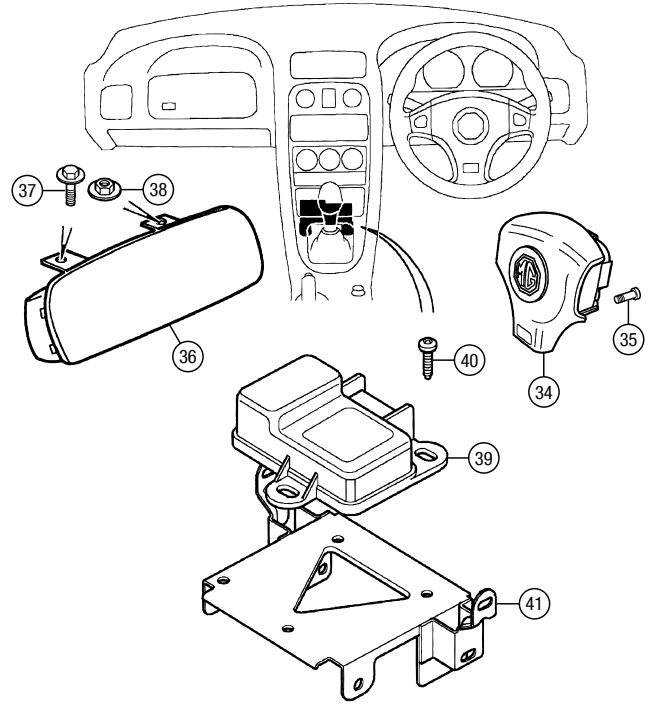
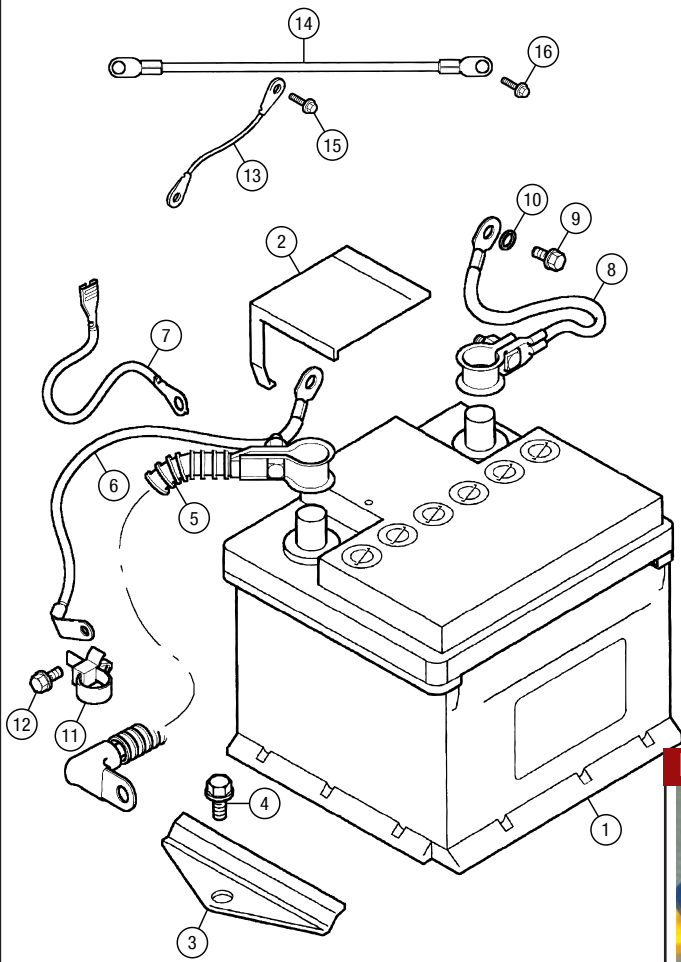
- The following should be inspected for damage and replaced where necessary:**
- Seat frames and head restraints
 - Seat belt retractors and anchorages
 - SRS deployment control module
- In addition, because of deterioration of airbag propellants over a period of time, the manufacturers recommend replacement of airbag modules, seat belt pre-tensioners and the rotary coupler at 15 year intervals.

Please note that airbag modules cannot be shipped by mail order and may only be collected from the counter. Storage and fitment of modules is potentially seriously hazardous and must be carried out by trained personnel using correct equipment.

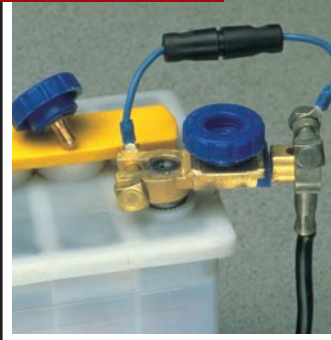
- 34 AIRBAG MODULE, driver's side 1 EHM000930PMA
- 35 BOLT, module to steering wheel:
 - patch lock type 2 QYG100360
 - non-patch lock type 2 FYG105250
- 36 AIRBAG MODULE, passenger's side:
 - ash grey (std. colour) 1 EHM100300LNF
 - walnut (MGF alternative) 1 EHM100300SAV
 - grenadine red (MG TF alternative) 1 EHM100300CVC
 - light smokestone (MG TF alt.) 1 EHM100300LPR
 - light tan (MG TF alternative) 1 EHM100300SBA
- 37 BOLT, passenger's airbag module:
 - large (M8) 2 HYG10004
 - small (M6) 2 FYG10007
- 38 NUT, passenger's airbag module 4 AFU1821L
- 39 DEPLOYMENT CONTROL UNIT (DCU), SRS:
 - MGF, MG TF to VIN 5D639630
 - for single airbag fitment 1 YWJ101220
 - for two airbag fitment 1 YWJ101230
 - MG TF from VIN 5D639631 on 1 YWJ000290
 - The DCU fitted from VIN 5D639631 on is a universal type and must be configured with MG Rover's Testbook system upon fitting.
- 40 SCREW, DCU to bracket & bracket to tunnel:
 - MGF to VIN AD021169 7 YYP10024
 - MGF VIN AD021170 on, MG TF 7 YYP100670L
- 41 BRACKET, DCU to tunnel:
 - MGF, MG TF to VIN 5D639630 1 YQU104051
 - MG TF from VIN 5D639631 on 1 YQU000560

For seat belt pre-tensioners, please refer to Seat Belts in the Interior section of this catalogue. For steering wheel rotary coupler, please refer to the Instruments and Switches section.





DIS-CAR-NECT



How Does 'Dis-Car-Nect' Work?

When leaving your car, simply remove the knob to isolate the starter circuit. The 16 amp fuse will maintain current supply to all other electrical circuits (central locking, stereo memory, alarm etc.). Because the starter motor draws over 150 amps, any attempt to connect (hot-wire) the starter motor will instantly cause the fuse to blow. This immobilises the car until the knob is replaced. If this should happen, simply replace the 16 amp fuse at a convenient time.

As an added advantage, the 'Dis-Car-Nect' will also prevent battery drain if you intend to store your car: simply unscrew the knob and remove the fuse. For extra security, unscrew and remove the immobiliser knob completely. 'Dis-Car-Nect' fits all vehicles and is easily fitted to any battery terminal. Full installation instructions are supplied with the kit.

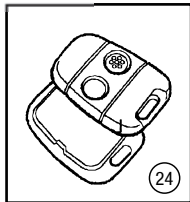
YWX101220A



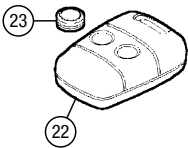
REMOTE TRANSMITTERS



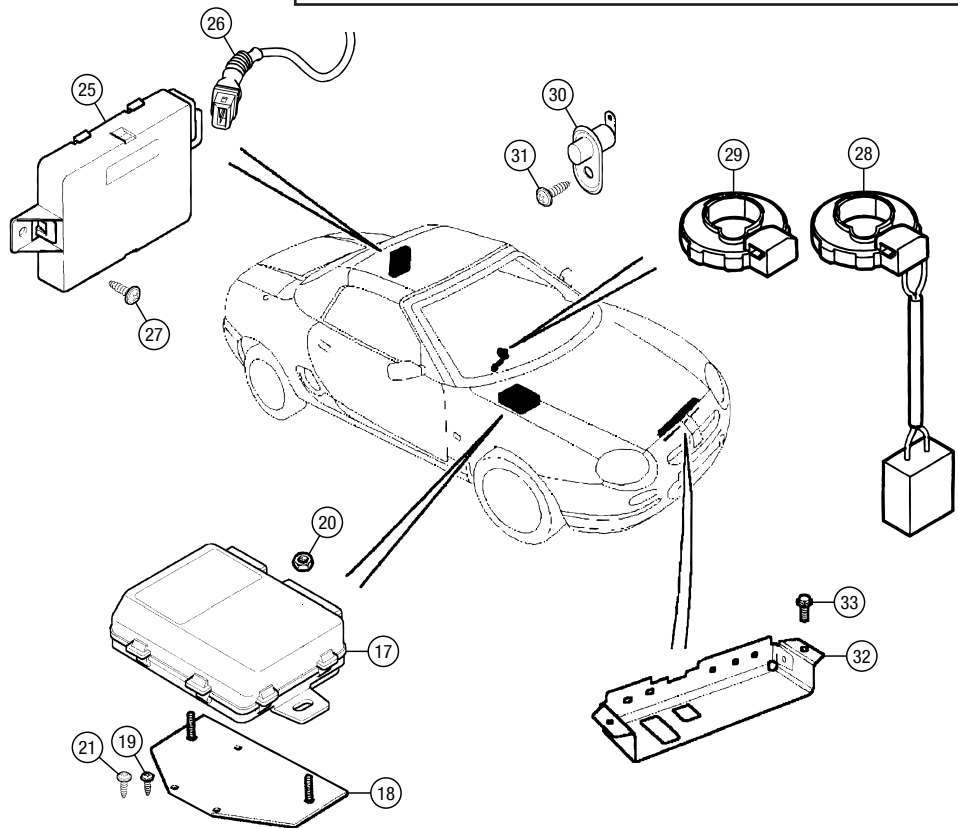
YWX000360



24



22





No.	DESCRIPTION	QTY REQ.	PART No.	No.	DESCRIPTION	QTY REQ.	PART No.	No.	DESCRIPTION	QTY REQ.	PART No.
-----	-------------	----------	----------	-----	-------------	----------	----------	-----	-------------	----------	----------



INSTRUMENT PACK ASSEMBLY - YAC004940PMP

Instrument Pack

1 INSTRUMENT PACK ASSEMBLY: <i>Comprises speedometer, tachometer, fuel and temperature gauges, plus cowl. Only correct for MG TF models, but will fit equivalent MG models with electronic instruments (1999 on, or from VIN XD511059 on).</i>			
MG TF (not MG TF 160)			
MPH			
manual	1	YAC004930PMP	
auto	1	YAC004950PMP	
KPH			
manual	1	YAC004940PMP	
auto	1	YAC004960PMP	
MG TF 160			
MPH	1	YAC004970PMP	
KPH	1	YAC004980PMP	
- INSTRUMENT FASCIA PLATE,			
polished alloy (see photo)	1	RP1691	
2 SPEEDOMETER, MGf to VIN XD511058 (to '99):			
MPH	1	YBC101120	
KPH	1	YBC101130	
3 SPEEDOMETER, MGf from VIN XD511059 on ('99 on):			
MPH not VVC			
manual	1	YBC101610	
auto	1	YBC101650	
MPH VVC	1	YBC101630	
KPH not VVC			
manual	1	YBC101620	
auto	1	YBC101660	
KPH VVC	1	YBC101640	
MG TF - MPH			
not MG TF 160			
manual	1	YBC101611	
auto	1	YBC101613	
MG TF 160	1	YBC101615	
MG TF - KPH			
not MG TF 160			
manual	1	YBC101612	
auto	1	YBC101614	
MG TF 160	1	YBC101616	
4 KNOB, trip reset <i>MGf to VIN XD511058 (to '99)</i>	1	EJP1051	
5 WASHER, foam, speedometer <i>MGf to VIN XD511058 (to '99)</i>	1	YBG10002	
6 TACHOMETER (REV. COUNTER): <i>MGf to VIN XD511058 (to '99)</i>			
not VVC	1	YAE100470	
VVC	1	YAE100480	
7 TACHOMETER (REV. COUNTER): <i>MGf from VIN XD511059 on ('99 on)</i>			
not VVC			
manual	1	YAE100840	
auto	1	YAE100860	
VVC	1	YAE100850	
MG TF not MG TF 160			
manual	1	YAE000010PMA	
auto	1	YAE000030PMA	
MG TF 160	1	YAE000020PMA	
8 FUEL GAUGE, <i>MGf to VIN XD511058 (to '99)</i>	1	YAD100500	
9 FUEL GAUGE, <i>MGf VIN XD511059 on ('99 on)</i>	1	YAD100970	
MG TF	1	YAD000090	
10 COOLANT TEMPERATURE GAUGE, <i>MGf to VIN XD511058 (to '99)</i>	1	YAD100510	
11 COOLANT TEMPERATURE GAUGE, <i>MGf VIN XD511059 on ('99 on)</i>	1	YAD100980	
MG TF	1	YAD000100	
12 COWL AND LENS, instruments: <i>MGf to VIN XD511058</i>			
not VVC	1	YAQ100370PMP	
VVC	1	YAQ100360PMP	

13 COWL AND LENS, instruments, <i>MGf VIN XD511059 on, MG TF</i>	1	YAQ100590PMP	
14 PAD, anti-squeak, cowl	3	EJP1052L	
15 ILLUMINATION UNIT, instruments, <i>MGf to VIN XD511058</i>	1	YAS100440	
16 ILLUMINATION UNIT, instruments, <i>MGf VIN XD511059 on, MG TF</i>	1	YAM100350	
17 CASING ASSEMBLY, instruments, <i>MGf to VIN XD511058</i>	1	YAS100450	
18 CASING ASSEMBLY, instruments, <i>MGf VIN XD511059 on, MG TF</i>	1	YAS100750	
19 PRINTED CIRCUIT BOARD, instruments, <i>MGf to VIN XD511058</i>	1	YAH100410	
20 PRINTED CIRCUIT BOARD, instruments, <i>MGf VIN XD511059 on, MG TF</i>	1	YAH100790	
21 BRACKET, instrument pack:			
RH	1	YAU100060	
LH	1	YAU100070	
22 SCREW, bracket:			
M4 thread	2	YYP10004	
self tapping	2	AC608044	
23 BULB AND BULBHOLDER, instrument pack: <i>MGf to VIN XD511058 (to '99). See illustrations for positions.</i>			
low fuel warning	1	YAJ100230	
24 BULB AND BULBHOLDER, instrument pack: <i>MGf to VIN XD511058 (to '99). See illustrations for positions.</i>			
warning lamps, 1.4W	7	YZQ100110	
ABS warning, engine bay temperature warning, hazard warning, brake failure/handbrake warning, direction indicator, low oil warning.			
25 BULB AND BULBHOLDER, instrument pack: <i>MGf to VIN XD511058 (to '99). See illustrations for positions.</i>			
warning lamp, 2W, blue	1	CDU3270	
Ignition (no charge) warning.			
26 BULB AND BULBHOLDER, instrument pack: <i>MGf to VIN XD511058 (to '99). See illustrations for positions.</i>			
warning lamps, 1.12W, grey	2	CDU3269	
Rear fog lamp warning, main beam warning.			
27 BULB AND BULBHOLDER, instrument pack: <i>MGf to VIN XD511058 (to '99). See illustrations for positions.</i>			
instrument illumination	1	YAJ100260	
28 BULB AND BULBHOLDER, instrument pack: <i>MGf to VIN XD511058 (to '99). See illustrations for positions.</i>			
centre warning lamps	3	YAJ100250	
Power steering warning, seat belt warning, oil temperature warning, airbag warning.			
29 BULB AND BULBHOLDER, instrument pack: <i>MGf from VIN XD511059 on ('99 on), MG TF. See illustrations for positions.</i>			
low fuel warning	1	YAJ100360A	
30 BULB AND BULBHOLDER, instrument pack: <i>MGf from VIN XD511059 on ('99 on), MG TF. See illustrations for positions.</i>			
warning lamps, 1.4W	11	YZQ100110	
All warning lamps and direction indicator lamps.			
31 BULB AND BULBHOLDER, instrument pack: <i>MGf from VIN XD511059 on ('99 on), MG TF. See illustrations for positions.</i>			
anti-theft alarm, LED	1	YAJ100320L	
32 PRINTED CIRCUIT BOARD, warning lamps: <i>MGf to VIN XD511058 (to '99)</i>			
not VVC			
MPH	1	YAH100540	
KPH	1	YAH100420	
VVC			
MPH	1	YAH100610	
KPH	1	YAH100620	
33 COVER, instrument casing, centre <i>MGf to VIN XD511058 (to '99)</i>	1	FBB10001	
34 SCREW, instrument pack, <i>MGf to VIN XD511058 (to '99). See illustrations for positions.</i>			
speedometer/tachometer			
M4 x 12mm	4	EJP1077	
35 SCREW, instrument pack, <i>MGf to VIN XD511058 (to '99). See illustrations for positions.</i>			
speedometer/tachometer			
M3 x 10mm	5	EJP1078	
36 SCREW, instrument pack, <i>MGf to VIN XD511058 (to '99). See illustrations for positions.</i>			
fuel/temperature gauges	6	YYP10001L	
37 SCREW, instrument pack, <i>MGf to VIN XD511058 (to '99). See illustrations for positions.</i>			
centre cover	1	EJP1079	
38 SCREW, instrument pack, <i>MGf from VIN XD511059 on ('99 on), MG TF. See illustrations for positions.</i>			
speedometer/tachometer	6	YYP100840	
39 SCREW, instrument pack, <i>MGf from VIN XD511059 on ('99 on), MG TF. See illustrations for positions.</i>			
fuel/temperature gauges	6	YYP100830	

Speedometer Drive

40 SPEEDOMETER CABLE, upper: <i>MGf to VIN AD000509 (early '95)</i>			
RHD	1	YBD101580	
LHD	1	YBD101590	
41 SPEEDOMETER CABLE, lower <i>MGf to VIN AD000509 (early '95)</i>	1	YBD101250	
42 SPEEDOMETER CABLE, upper <i>MGf VIN AD000510 to XD511058 (late '95 to '99)</i>	1	YBD101640	
43 SPEEDOMETER CABLE, intermediate <i>MGf VIN AD000510 to XD511058 (late '95 to '99)</i>	1	YBD101660	
44 SPEEDOMETER CABLE, lower <i>MGf VIN AD000510 to XD511058 (late '95 to '99)</i>	1	YBD101250	
45 CLIP, swivel, cable to hose <i>MGf to VIN XD511058 (to '99)</i>	2	YBH100120	
46 CLIP, cable, swivel, to brake pipe <i>MGf RHD to VIN WD035814 (to '98).</i>	1	ADU2580	
47 CLIP, cable, tie, to brake pipe <i>MGf RHD from VIN WD035815 to XD511058 ('98 to '99).</i>	1	AAU5884J	
48 CLIP, cable, swivel, to brake pipe <i>MGf LHD to VIN XD511058 (to '99).</i>	1	YBH10006L	
49 TRANSDUCER, speedometer <i>MGf from VIN XD511059 on ('99 on), MG TF.</i>	1	YBE100520	
50 PLUG, redundant cable hole	A/R	AFU3332L	

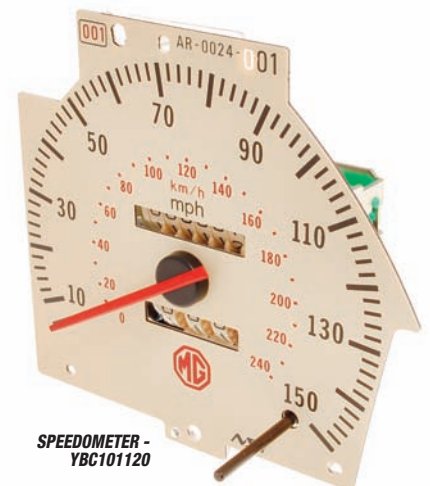
TIME CLOCK - YFBOU0240



OIL TEMPERATURE GAUGE - YAD000060-LE

Console Gauges

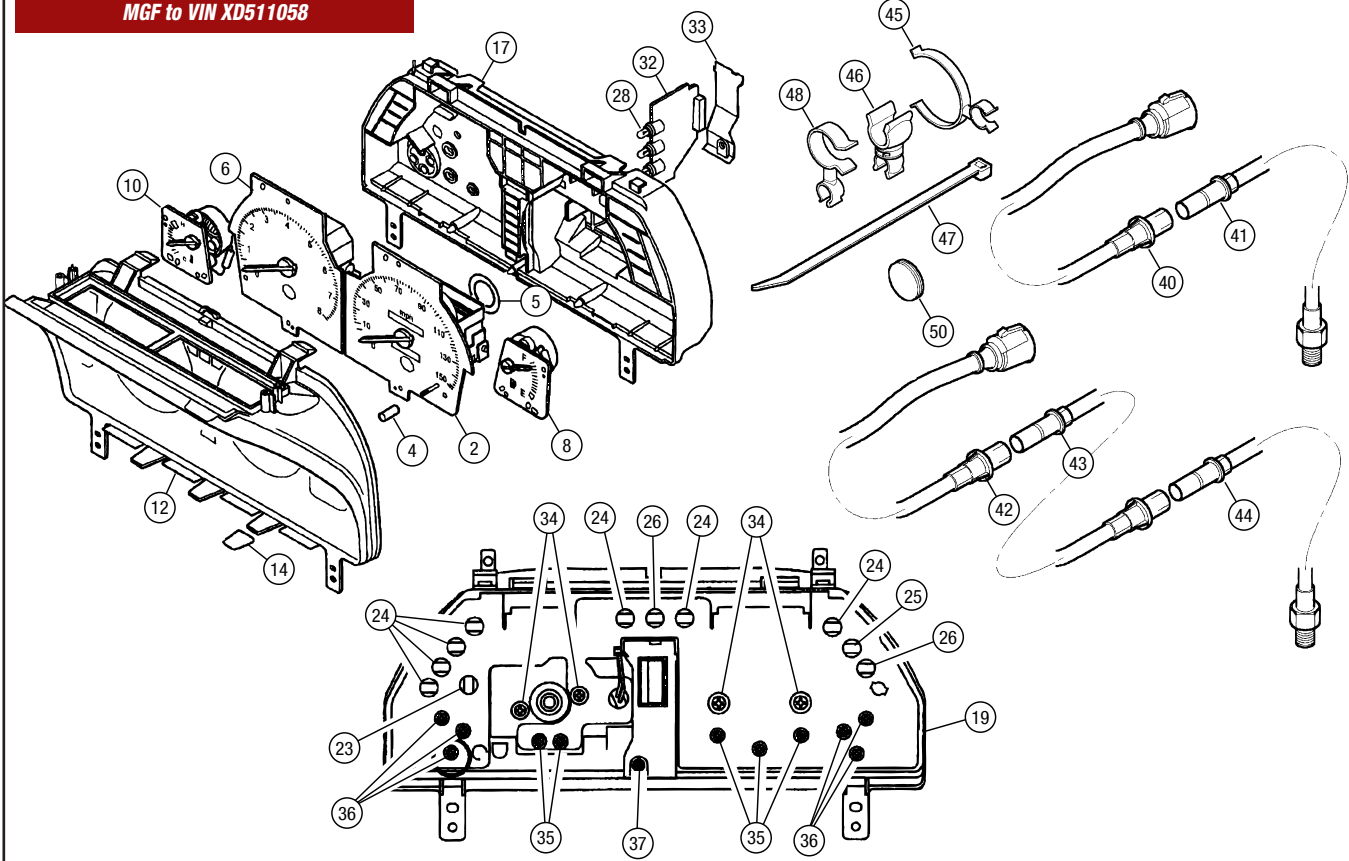
51 GAUGE, oil temperature:			
MGf			
up to VIN AD001017	1	YAD100480	
150°C display.			
VIN AD001017 to XD511058	1	YAD100760	
170°C display.			
from VIN XD511059 on ('99 on)			
not VVC	1	YAD100890	
VVC	1	YAD101020	
MG TF	1	YAD000060	
LE 500 (silver face)	1	YAD000060-LE	
<i>Fits all models.</i>			
52 TIME CLOCK:			
MGf			
up to VIN XD511058 (to '99)	1	YFB100240	
VIN XD511059 on ('99 on)	1	YFB100450	
MG TF	1	YFB000240	
53 RING, gauge mounting	2	FHC100280	
54 SCREW, gauge mounting	4	BNP4089	
55 O RING, gauge mounting	2	FYX100010	
56 BULB, oil temperature gauge, 1.2W	1	DRG1186	
57 BULB, clock, 2W	1	GLB281	
58 BULBHOLDER, oil temperature gauge	1	YAJ100420	
59 BULBHOLDER, clock	1	YAJ100410	



SPEEDOMETER - YBC101120

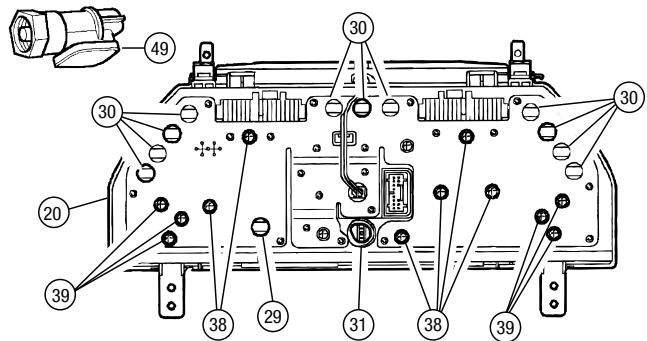
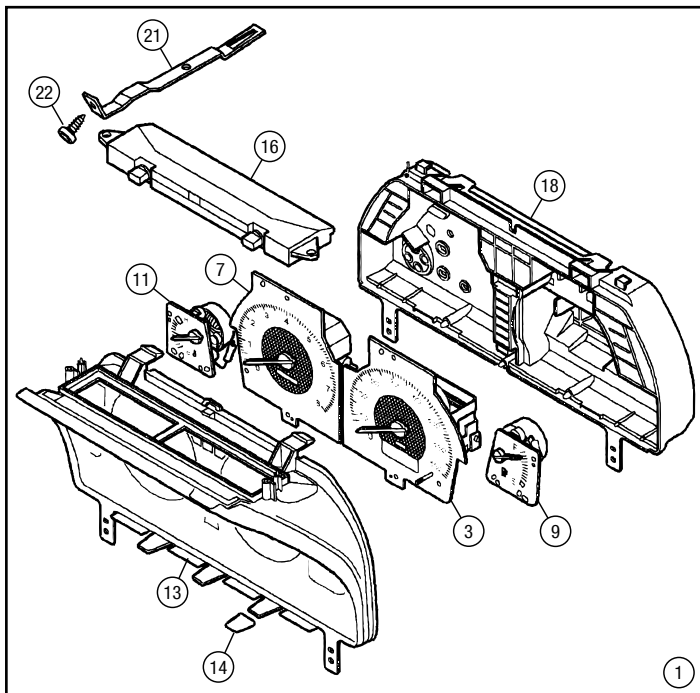
MECHANICAL SPEEDOMETER

MGF to VIN XD511058

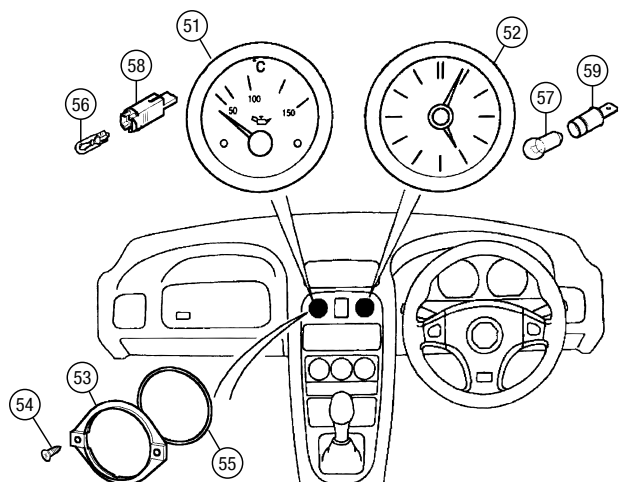


ELECTRONIC SPEEDOMETER

MGF FROM VIN XD511059 ON, MG TF



CONSOLE GAUGES



INSTRUMENT FASCIA,
POLISHED ALLOY - RP1691



ELECTRICAL - SWITCHES

No.	DESCRIPTION	QTY REQ.	PART No.
-----	-------------	----------	----------



CAR LOCK SET, MG TF (RHD) - CWB001220MMM

Steering Column Switches

- | | | | |
|---|---|--------------|----|
| 60 CAR LOCK SET:
<i>Includes ignition switch/steering lock, door locks, boot lid lock and glovebox lock, plus two keys.</i> | | | |
| MGF | | | |
| RHD, with remote locking | 1 | CWB105060MMM | P1 |
| LHD, with remote locking | 1 | CWB105070MMM | |
| MG TF | | | |
| RHD | | | |
| with key locking only | 1 | CWB001230MMM | |
| with remote locking | 1 | CWB001220MMM | |
| LHD, with remote locking | 1 | CWB001240MMM | |
| 61 IGNITION SWITCH/STEERING LOCK:
<i>Included in car lock set. Includes two keys.</i> | | | |
| RHD with non-specific key no. | 1 | QRF101080 | |
| LHD with non-specific key no. | 1 | QRF101090 | |
| 62 SHEAR BOLT, steering lock
<i>Included in car lock set and ignition switch/steering lock.</i> | 2 | QRH10001 | |
| 63 KEY BLANK, steering lock | 1 | CWE100580 | |
| 64 STEERING COLUMN SWITCH,
wipers/lights combined assembly | | | |
| MGF to VIN XD508929 | 1 | XPB100810PMP | |
| MGF from VIN XD508930 on,
MG TF to VIN 4D639630 | 1 | XPB101620PMP | |
| MG TF VIN 5D639631 on | 1 | XPB000310PMP | |
| 65 STEERING COLUMN SWITCH,
wash/wipe switch only | | | |
| MGF to VIN XD508929 | 1 | XPE100280PMP | |
| MGF from VIN XD508930 on,
MG TF to VIN 4D639630 | 1 | XPE100420PMP | |
| MG TF VIN 5D639631 on | 1 | XPE00050PMP | |
| 66 STEERING COLUMN SWITCH,
lights/indicator/dip switch only | | | |
| MGF to VIN XD508929 | 1 | XPC100080 | |
| MGF from VIN XD508930 on,
MG TF to VIN 4D639630 | 1 | XPC100200PMP | |
| MG TF VIN 5D639631 on | 1 | XPB000300PMP | |
| 67 HOUSING, column switches | 1 | XPH100100 | |
| 68 CAM, indicator cancelling | 1 | XPC100050 | |
| 69 ROTARY COUPLER,
steering column | 1 | YRC100300 | |



WASHER/WIPE SWITCH ONLY - XPE100420PMP



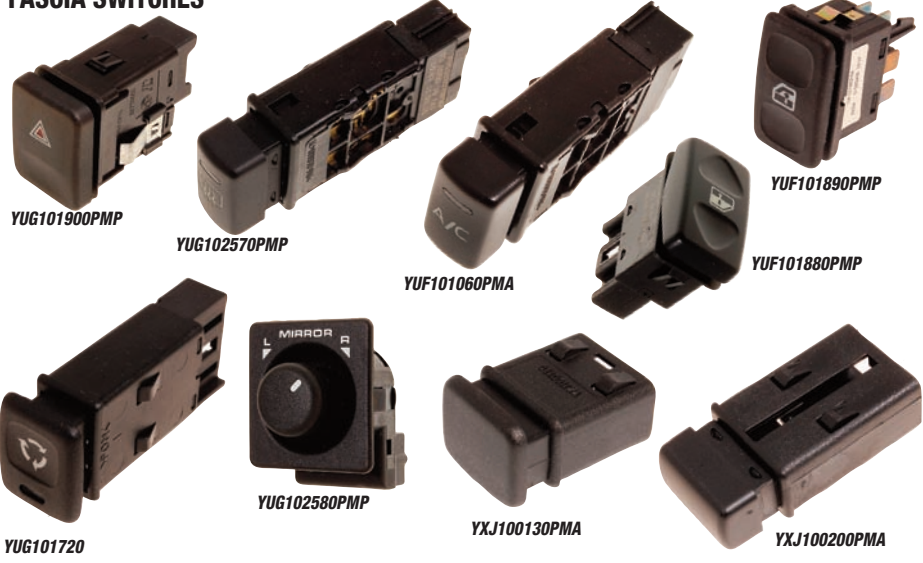
LIGHTS/INDICATOR/DIP SWITCH ONLY - XPC100200PMP

No.	DESCRIPTION	QTY REQ.	PART No.
-----	-------------	----------	----------

Fascia Switches

- | | | | |
|--|-----|--------------|--|
| 70 SWITCH, hazard warning | 1 | YUG101900PMP | |
| 71 SWITCH, heated rear window:
MGF to VIN XD511058
<i>Hard top rear window.</i> | 1 | YUG101480PMA | |
| MGF VIN XD511059 on, MG TF
<i>Hard top or hood rear window.</i> | 1 | YUG102570PMP | |
| 72 SWITCH, front fog lamps:
<i>Fog lamp fitted models only.</i> | | | |
| MGF to VIN XD511058 | 1 | YUG101470PMA | |
| MGF VIN XD511059 on, MG TF | 1 | YUG102590PMP | |
| 73 SWITCH, rear fog lamps:
MGF to VIN XD511058
MGF VIN XD511059 on, MG TF | 1 | YUG101830PMA | |
| | 1 | YUG102740PMP | |
| 74 SWITCH, air conditioning on/off:
<i>Air conditioning fitted models only.</i> | | | |
| MGF to VIN XD511058 | 1 | YUG101490PMA | |
| MGF VIN XD511059 on, MG TF | 1 | YUG102580PMP | |
| 75 SWITCH, air recirculating:
<i>Air conditioning fitted models only.</i> | | | |
| MGF to VIN XD511058 | 1 | YUG101720 | |
| MGF VIN XD511059 on, MG TF | 1 | YUG102600PMP | |
| 76 SWITCH, window lift:
MGF to VIN XD511058
MGF VIN XD511059 on, MG TF | 2 | YUF101060PMA | |
| | 2 | YUF101880PMP | |
| 77 SWITCH, panel illumination control
<i>Thumbwheel type switch.</i> | | YUR10007 | |
| - SWITCH, power hood
<i>Power hood fitted models only. Not shown.</i> | 1 | YUE105720 | |
| 78 SWITCH, mirror adjustment
MGF VIN XD511059 on, MG TF | 1 | YUF101890PMP | |
| 79 SWITCH, blank, unused fascia switch hole
large | A/R | YXJ100130PMA | |
| 80 SWITCH, blank, unused fascia switch hole
small | A/R | YXJ100200PMP | |
| MGF VIN XD511059 on, MG TF. | | | |

FASCIA SWITCHES



YUG101900PMP

YUG102570PMP

YUF101060PMA

YUF101890PMP

YUF101880PMP

YUG101720

YUG102580PMP

YXJ100130PMA

YXJ100200PMA

No.	DESCRIPTION	QTY REQ.	PART No.
-----	-------------	----------	----------

Body Switches

- | | | | |
|--|---|-----------|--|
| 81 SWITCH, inertia, fuel pump | 1 | WQT100030 | |
| 82 SWITCH, brake light
MGF to VIN YD514325 | 1 | XKB100080 | |
| MGF VIN YD514326 on, MG TF | 1 | XKB10003 | |
| 83 SWITCH, handbrake | 1 | EEP191 | |
| 84 SWITCH, glovebox light | 1 | YUE10005L | |
| 85 SWITCH, alarm and courtesy lights | 4 | YUE10011 | |
| 86 SCREW, alarm switch to body | 4 | AB606039 | |

BODY SWITCHES



WQT100030

XKB100080

XKB10003

EEP191

YUE10005L

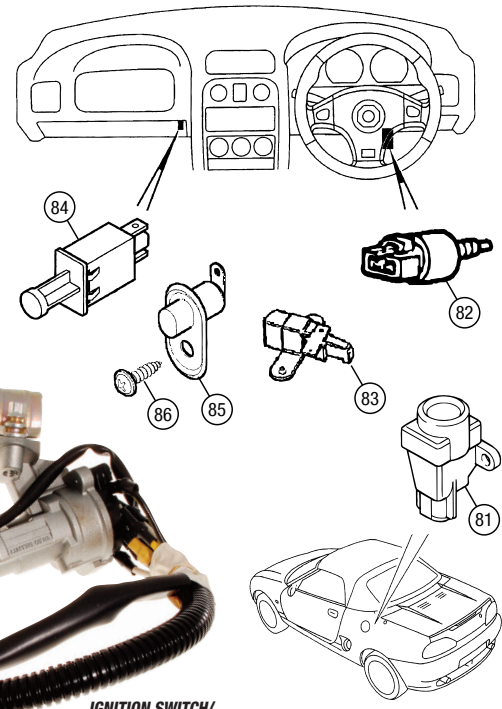
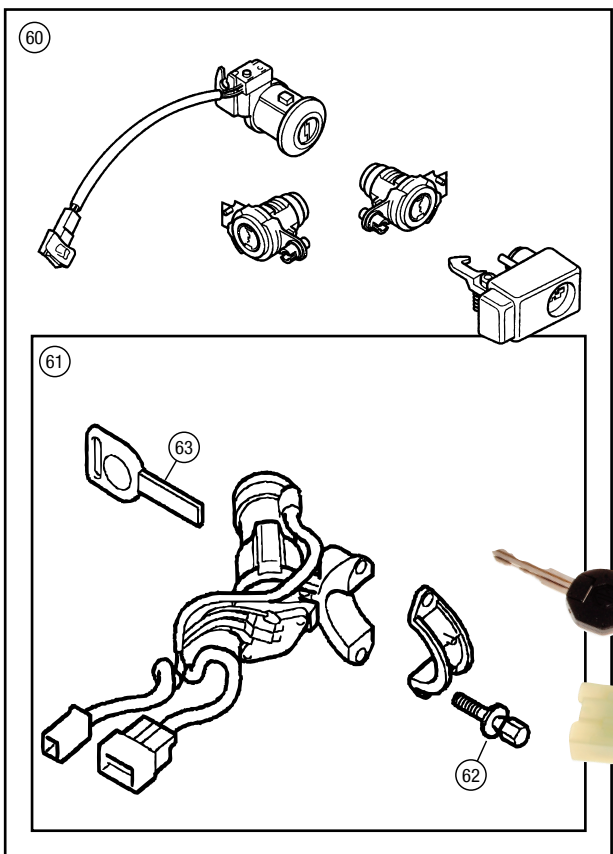
YUE10011

Cigar Lighter

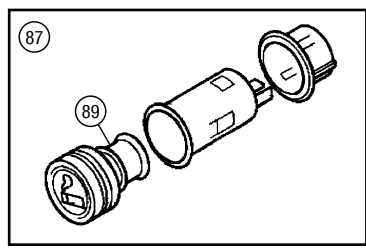
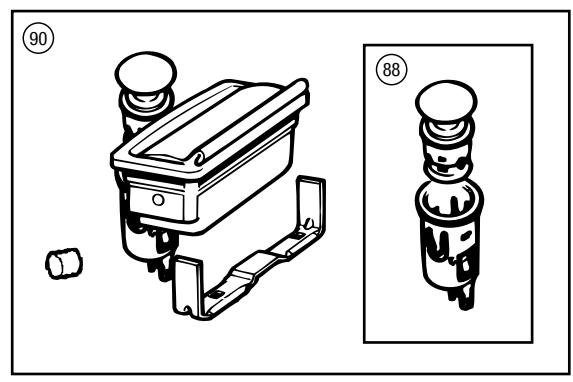
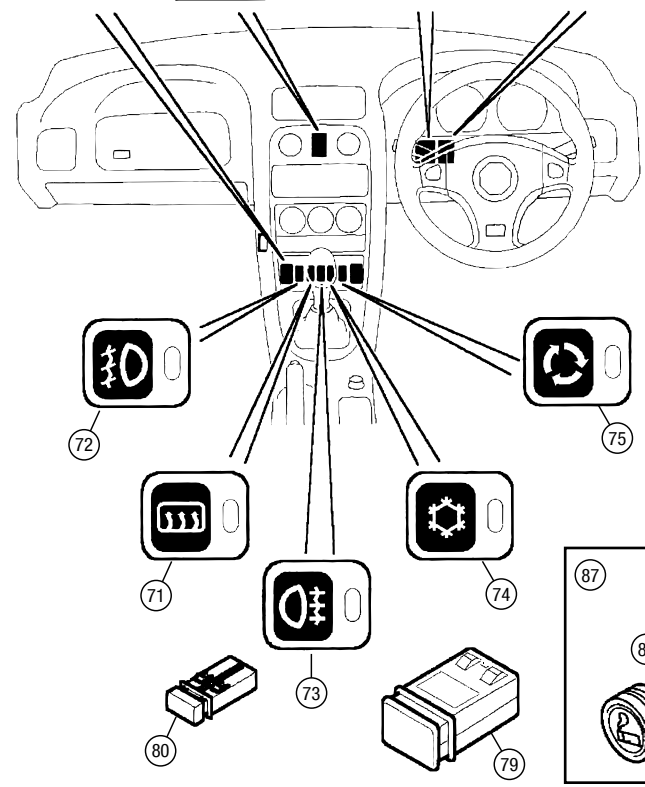
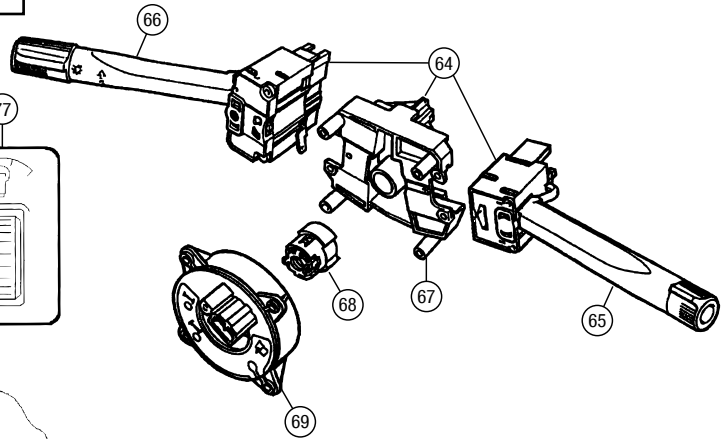
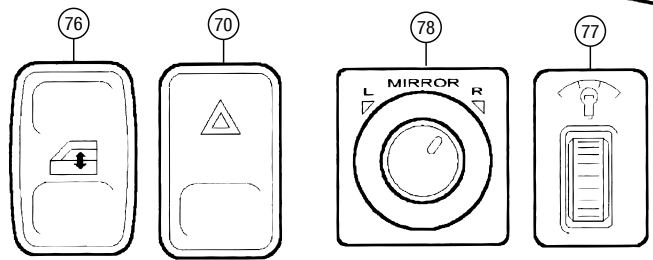
- | | | | |
|--|---|-------------|--|
| 87 CIGAR LIGHTER, assembly,
original equipment | 1 | YUJ100480 | |
| 88 CIGAR LIGHTER, assembly, chrome,
accessory | 1 | YUJ10070MMM | |
| 89 CIGAR LIGHTER, pop out unit only
<i>Black. For original equipment black cigar lighter only.</i> | 1 | YUJ10031 | |
| 90 CHROME INTERIOR ACCESSORY KIT
<i>Includes chrome cigar lighter, ashtray and handbrake button.</i> | 1 | VUB105690 | |
| - CIGAR LIGHTER SURROUND RING:
<i>See photos on opposite page.</i> | | | |
| chrome | 1 | RP1639CHR | |
| polished aluminium | 1 | RP1639ALU | |
| anodised silver | 1 | RP1639SIL | |



CIGAR LIGHTER ASSEMBLY - YUJ100480



IGNITION SWITCH/
STEERING LOCK - RHD -
QRF101080





No.	DESCRIPTION	QTY REQ.	PART No.	No.	DESCRIPTION	QTY REQ.	PART No.	No.	DESCRIPTION	QTY REQ.	PART No.
-----	-------------	----------	----------	-----	-------------	----------	----------	-----	-------------	----------	----------

Main Harness - MGF/TF

1 MAIN HARNESS ASSEMBLY
There are over 200 combinations of main wiring harnesses covering the MGF/TF range. Unfortunately, non are now available. We therefore suggest trying to source a used harness, since the cost of remanufacturing would not be economical.

Engine Harness - MGF

At the time or writing, some engine harnesses are still available and are listed here for the record. Please check for current availability.

MANUAL (NOT VVC) WITHOUT AIR CONDITIONING

2 ENGINE HARNESS ASSEMBLY:			
to VIN XD511058	1	YSB104980	
VIN XD511059 to YD522572	1	YSB107420	
VIN YD522573 on	1	YSB000981	

MANUAL (NOT VVC) WITH AIR CONDITIONING

2 ENGINE HARNESS ASSEMBLY:			
to VIN XD511058	1	YSB103812	
VIN XD511059 to YD522572	1	YSB107410	
VIN YD522573 on	1	YSB113900	

VVC MANUAL WITHOUT AIR CONDITIONING

2 ENGINE HARNESS ASSEMBLY:			
to VIN XD511058	1	YSB104970	
VIN XD511059 to YD522572			
mechanical speedometer	1	YSB106830	
electric speedometer	1	YSB107440	
VIN YD522573 to 1D530688	1	YSB113930	
VIN 1D530689 on	1	YSB113931	

VVC MANUAL WITH AIR CONDITIONING

2 ENGINE HARNESS ASSEMBLY:			
to VIN XD511058	1	YSB103801	
VIN XD511059 to YD522572			
mechanical speedometer	1	YSB106840	
electric speedometer	1	YSB107430	
VIN YD522573 to 1D530688	1	YSB113920	
VIN 1D530689 on	1	YSB113921	

AUTOMATIC WITHOUT AIR CONDITIONING

2 ENGINE HARNESS ASSEMBLY:			
to VIN YD522572	1	YSB106370	
VIN YD522573 on	1	YSB000701	

AUTOMATIC WITH AIR CONDITIONING

2 ENGINE HARNESS ASSEMBLY:			
to VIN YD522572	1	YSB106360	
VIN YD522573 on	1	YSB000711	

Engine Harness - MG TF

At the time or writing, some engine harnesses are still available and are listed here for the record. Please check for current availability.

MANUAL (NOT 160) WITHOUT AIR CONDITIONING

2 ENGINE HARNESS ASSEMBLY:			
to VIN 4D632423	1	YSB000981	
VIN 4D632424 to 5D639629	1	YSB000982	
VIN 5D639630 on	1	YSB002230	

MANUAL (NOT 160) WITH AIR CONDITIONING

2 ENGINE HARNESS ASSEMBLY:			
to VIN 4D632423	1	YSB000971	
VIN 4D632424 to 5D639629	1	YSB000972	
VIN 5D639630 on	1	YSB002220	

160 MANUAL WITHOUT AIR CONDITIONING

2 ENGINE HARNESS ASSEMBLY:			
to VIN 2D605000	1	YSB113931	
VIN 2D605001 to 4D632423	1	YSB001401	
VIN 4D632424 to 5D639629	1	YSB001402	
VIN 5D639630 on	1	YSB002270	

160 MANUAL WITH AIR CONDITIONING

2 ENGINE HARNESS ASSEMBLY:			
to VIN 2D605000	1	YSB113921	
VIN 2D605001 to 4D632423	1	YSB001391	
VIN 4D632424 to 5D639629	1	YSB001392	
VIN 5D639630 on	1	YSB002260	

AUTOMATIC WITHOUT AIR CONDITIONING

2 ENGINE HARNESS ASSEMBLY:			
to VIN 5D639629	1	YSB000701	
VIN 5D639630 on	1	YSB002250	

AUTOMATIC WITH AIR CONDITIONING

2 ENGINE HARNESS ASSEMBLY:			
to VIN 5D639629	1	YSB000711	
VIN 5D639630 on	1	YSB002110	

Engine Link Harnesses

3 FUEL INJECTOR HARNESS ASSEMBLY:			
MGF			
to VIN YD522572			
not VVC	1	YSB104000L	
VVC	1	YSB10154L	
VIN YD522573 on	1	YSB107100	
MG TF			
to VIN 5D639629	1	YSB107100	
VIN 5D639630 on	1	YSB001930	
4 IGNITION COIL HARNESS ASSEMBLY	1	YSB001900	
<i>MG TF from VIN 5D639630 on.</i>			

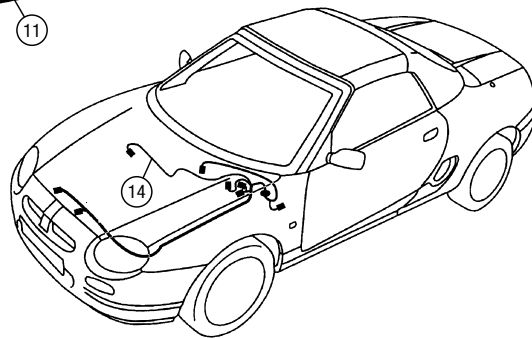
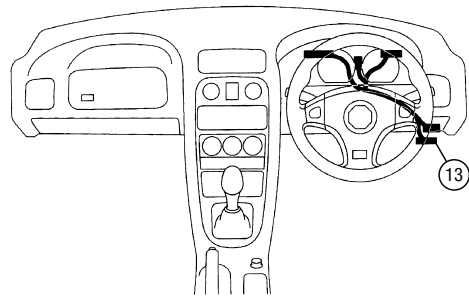
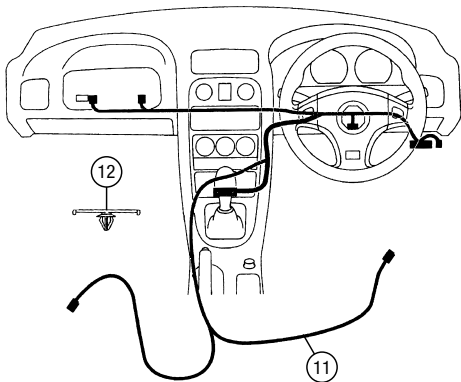
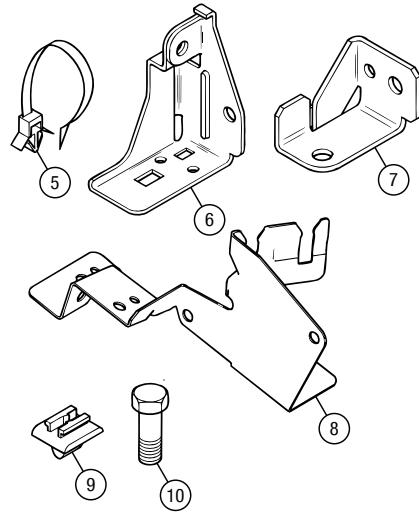
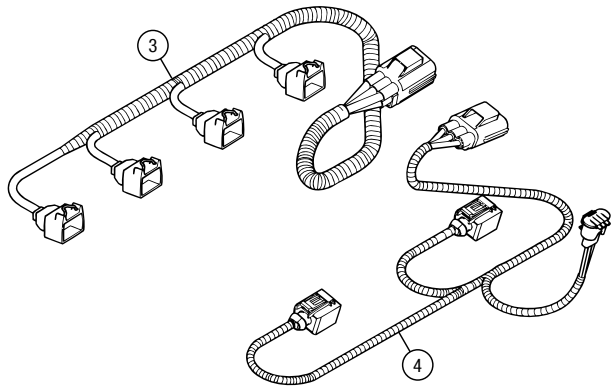
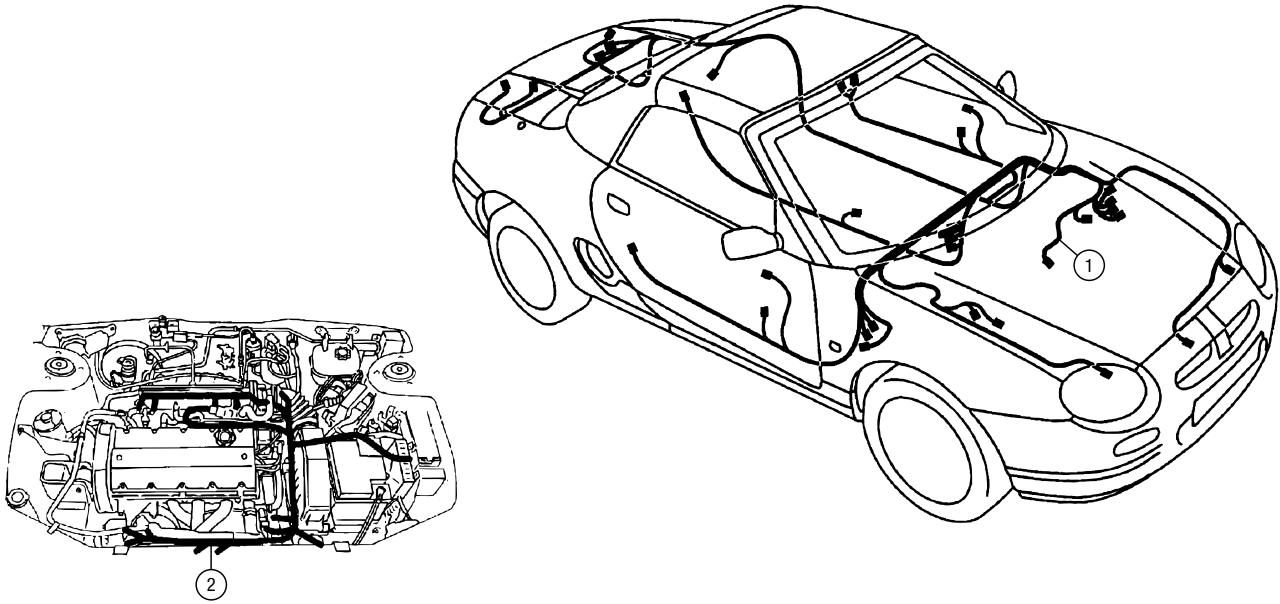
Engine Harness Fittings

5 TIE WRAP, harness to engine:			
MGF, MG TF to VIN 5D639629	3	YQR100750	
MG TF VIN 5D639630 on	2	YQR100750	
6 BRACKET, ignition coil harness support	1	NGE100482	
<i>MG TF from VIN 5D639630 on.</i>			
7 BRACKET, engine harness connector	1	YH000420	
8 BRACKET, engine harness to cam cover	1	LDL000102	
9 CLIP, engine harness connector	2	YYC000820	
10 SCREW, engine harness earth	1	FS106107	

Airbag, Fascia & Air Conditioning Harnesses

11 AIRBAG HARNESS:			
<i>MGF to VIN YD522572.</i>			
without seat belt warning	1	YNE101210	
with seat belt warning	1	YNE101230	
- LINK HARNESS, airbag:			
<i>MGF VIN YD522573 on, MG TF.</i>			
RHD			
driver's side	1	YMQ110740	
passenger's side	1	YMQ110750	
LHD			
driver's side	1	YMQ110780	
passenger's side	1	YMQ110790	
with pre-tensioner			
RH	1	YMQ110770	
LH	1	YMQ110760	
12 CLIP, airbag harness	1	ALU1739	
<i>MGF to VIN XD515899.</i>			
13 FASCIA HARNESS:			
MGF to VIN XD511058			
not Japan or Australia	1	YMG108700	
Japan to VIN WDO40179	1	YMG107352	
Japan VIN WDO40180 to XD511058	1	YMG109120	
Australia to VIN XD511058	1	YMG109120	
MGF VIN XD511059 to YD522572			
manual			
not Japan or Australia	1	YMG001270	
Japan and Australia	1	YMG113620	
automatic			
not Japan or Australia	1	YMG113630	
Japan and Australia	1	YMG001270	
MGF VIN YD522573 on	1	YMG001270	
MG TF			
to VIN 4D620548	1	YMG001280	
VIN 4D620549 on	1	YMG003060	
14 AIR CONDITIONING HARNESS	1	YMF100861	
<i>MGF to VIN XD511058.</i>			



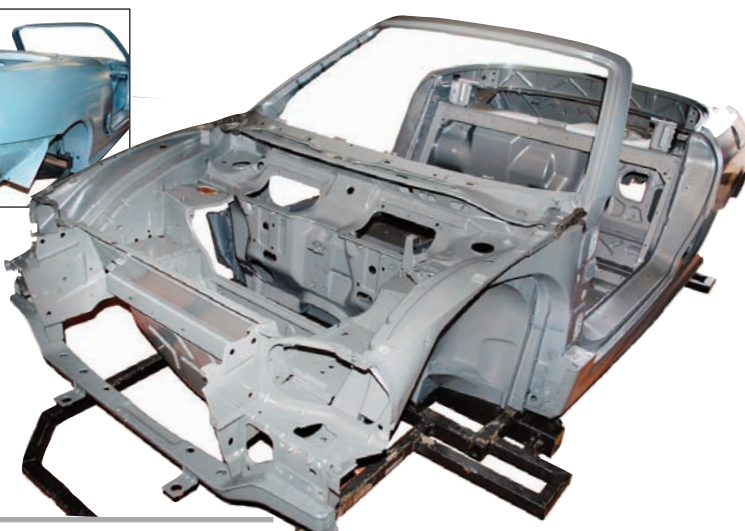




No.	DESCRIPTION	QTY REQ.	PART No.	No.	DESCRIPTION	QTY REQ.	PART No.	No.	DESCRIPTION	QTY REQ.	PART No.
-----	-------------	----------	----------	-----	-------------	----------	----------	-----	-------------	----------	----------



MG TF BODYSHELL ASSEMBLY - ZUA000740



Bodyshell

1 BODYSHELL ASSEMBLY: <i>Less doors, bonnet & bootlid.</i>			
MGF to VIN YD522572 (to '00) <i>Except Trophy.</i>	1	AAC460010	
VIN YD522573 on ('00 on) <i>Also suitable for all Trophy models.</i>	1	AAC460050	
MG TF	1	ZUA000740	

Front Wing

27 FRONT WING:			
RH	1	ASB460021	
LH	1	ASB460031	
28 SCREW, front wing	16	AFP0663	
29 STRUT, front wing support	2	ASN460040	



RH FRONT WING - ASB460021

Plugs & Grommets

2 PLUG, blanking, floor, plastic	12	AYB000300	
3 PLUG, blanking, floor, metal, 65mm x 36mm	6	AFL12001	
4 PLUG, blanking, floor, nylon, 25mm	2	AYB10011	
5 PLUG, blanking, floor, nylon, 50mm	2	AYB10012	
6 PLUG, blanking, floor, nylon, 50mm	1	DBP6286	
7 PLUG, blanking, spare wheel well, 35mm	2	AYB10013	
8 PLUG, blanking, spare wheel well, 50mm	1	AYB000320	
9 PLUG, blanking, boot lid, paint drain hole	2	AYB10010	
10 PLUG, blanking, boot lid, wiring hole <i>MGFs without high level stop lamp.</i>	1	14A7031	
11 PLUG, blanking, sill/dash side, 100mm x 50mm	2	AYB100360	
12 PLUG, blanking, sill, rear	2	AYA000040	
13 PLUG, blanking, A post, inner, 12mm	4	DJP5792	
14 PLUG, blanking, hood well side	2	AYB000360	
15 PLUG, blanking, rear luggage area side, 50mm	2	AYB000320	
16 PLUG, blanking, front subframe mounting	2	KGN10002	
17 PLUG, blanking, fuel pump cover	1	AFZ460020	
18 SCREW, fuel pump cover	4	BEP6113	
19 GROMMET, floor/wheel arches	4	14A7090A	
20 GROMMET, boot lid wiring hole <i>MGFs with high level stop lamp, all MG TFs.</i>	1	14A7090A	
21 SEAL ASS'Y, services, floor tunnel	1	AVJ100120	
22 PLATE, seal ass'y:			
manual	1	AVK100100	
automatic	1	AVK100110	

Doors

30 DOOR ASSEMBLY:			
RH	1	BDA460120	
LH	1	BDA460130	
31 DOOR SKIN (OUTER):			
RH	1	BDA460041	
LH	1	BDA460051	
32 DOOR HINGE, upper			
RH	1	BDB460020	
LH	1	BDB460030	
33 DOOR HINGE, lower			
RH	1	BDB460040	
LH	1	BDB460050	
34 SCREW, door hinge	20	AYP10002	
35 WASHER, plain, heavy duty	20	AYF10002	



RH DOOR ASSEMBLY - BDA460120

Windscreen, Dash & A Posts

36 HEADER PANEL, windscreen	1	ACG460010	
37 CLOSING PANEL, header	1	AAL460070	
38 UPPER DASH PANEL ASSEMBLY	1	AHA460210	
39 NUTSERT, blind, lower dash	3	AYH000540	
40 STRUT, steering column to floor:			
MGF to VIN XD511058	1	ACM460010	
MGF VIN XD511059 on	1	ACM460030	
41 STRUT, steering column to floor, MG TF	1	ACM460020	
42 A POST & WINDSCREEN SIDE ASSEMBLY:			
RH	1	ALB460020	
LH	1	ALB460030	
43 REINFORCEMENT, A post to dash & inner wing:			
RH	1	AAR460020	
LH	1	AAR460030	

Front Inner Panels

44 FRONT END ASSEMBLY: <i>Includes headlamp mountings, spare wheel well and front crossmember.</i>			
MGF	1	ABB460020	
MG TF	1	ABB460050	
45 HEADLAMP MOUNTING ASSEMBLY:			
RH	1	ABH460020	
LH	1	ABH460111	
46 SPARE WHEEL WELL ASSEMBLY:			
MGF	1	ABB460030	
MG TF	1	ABB460070	
47 FRONT CROSSMEMBER ASS'Y	1	ABU460330	
48 FRONT SUBFRAME BRACKET ASS'Y: <i>Included in front crossmember assembly.</i>			
RH	1	ABU460160	
LH	1	ABU460170	
49 CLOSING PANEL, crossmember	1	ABC460100	
50 HEADLAMP BRACKET, inner (MG TF):			
RH	1	ABU460560	
LH	1	ABU460570	
51 HEADLAMP BRACKET, outer (MG TF):			
RH	1	ABU460520	
LH	1	ABU460530	
52 HEADLAMP CARRIER, (MG TF):			
RH	1	ABU460600	
LH	1	ABU460610	
53 BONNET LOCKING PLATFORM	1	ABG460101	



BONNET LOCKING PLATFORM - ABG460101

54 STRUT, platform support	1	ABJ460060	
55 BRACKET, loadspace light switch	1	ABU460190	
56 SIDEMEMBER ASS'Y, front: <i>Includes spare wheel side platform and lower suspension reinforcement extension.</i>			
MGF			
not Trophy			
RH	1	ABE460060	
LH	1	ABE460070	
Trophy			
RH	1	ABE460180	
LH	1	ABE460190	
MG TF			
RH	1	ABE460200	
LH	1	ABE460210	
57 SIDEMEMBER, front			
RH	1	ABE460160	
LH	1	ABE460171	
58 SPARE WHEEL SIDE PLATFORM:			
RH	1	ABG460080	
LH	1	ABG460050	
59 SUSPENSION REINFORCEMENT EXTENSION, lower:			
RH	1	ABX460020	
LH	1	ABX460030	
60 CLOSING PANEL, front sidemember:			
RH	1	AHN460021	
LH	1	AHN460031	
61 INNER WING (VALANCE), front:			
RH	1	ABD460040	
LH	1	ABD460050	
62 STRUT, spare wheel well to dash <i>MGF (not Trophy), MG TF.</i>	1	ABJ460030	
63 BLANKING PLATE, steering column, not air conditioning	1	JQY100080	
64 BLANKING PLATE, steering column, air conditioning	1	JQY100100	



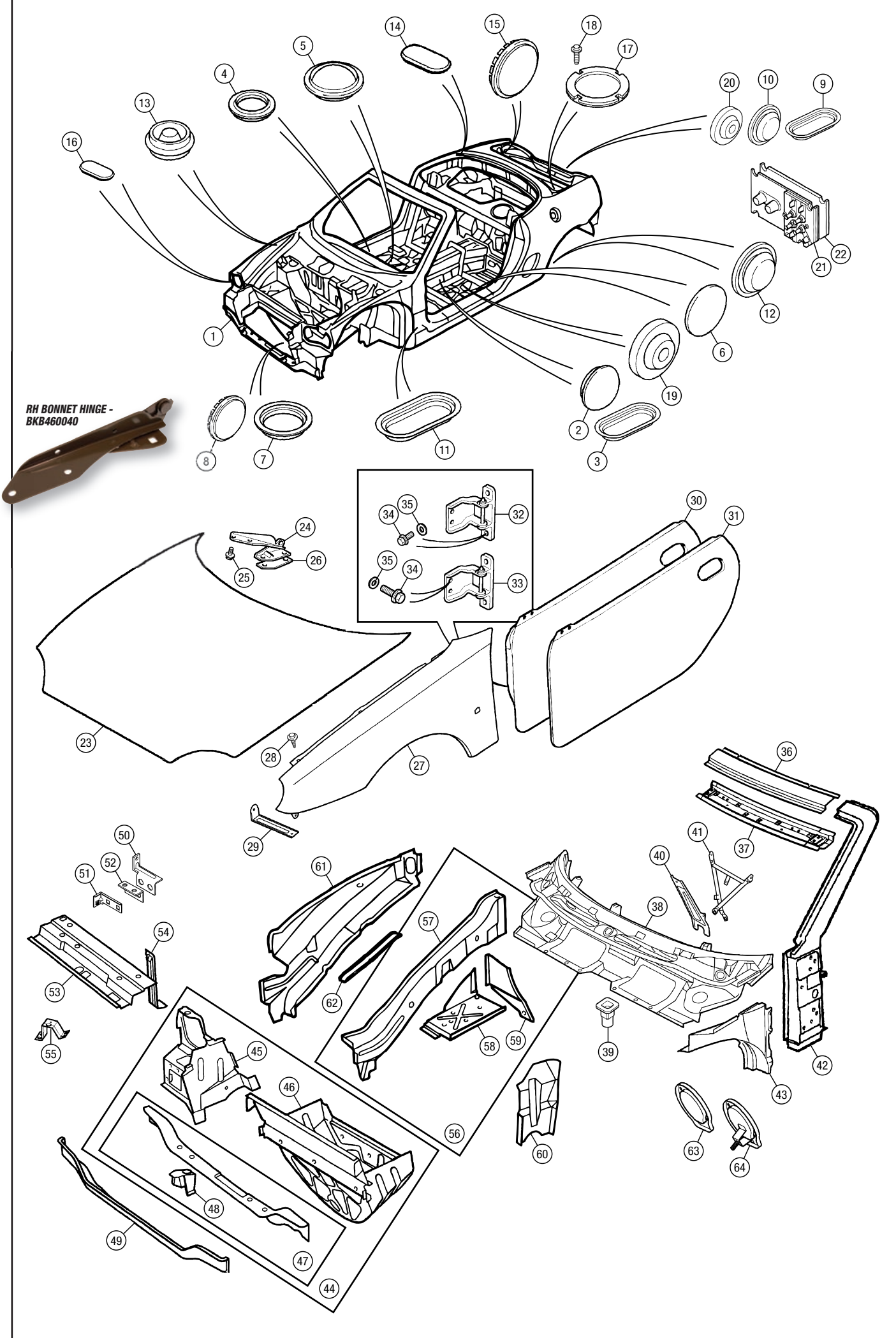
RH A POST REINFORCEMENT - AAR460020



BONNET ASSEMBLY - BKA460070



BODYSHELL & BODY PANELS - FRONT





Rear Wings

- 1A REAR WING ASSEMBLY, MGF:**
Does not include outer sill.
- | | | |
|------------|---|-----------|
| RH | 1 | ALH460080 |
| LH | | |
| not Trophy | 1 | ALH460090 |
| Trophy | 1 | ALH460040 |
- 1B REAR WING SKIN ONLY, MGF:**
Original pressing. Does not include outer sill.
- | | | |
|----|---|------------|
| RH | 1 | ALH460080R |
| LH | 1 | ALH460090R |
- 2 REAR WING ASSEMBLY, MG TF:**
Includes outer sill.
- | | | |
|----|---|-----------|
| RH | 1 | ALA460120 |
| LH | 1 | ALA460130 |
- 3 REAR LAMP APERTURE EXTENSION:**
Included in rear wing assembly.
- | | | |
|----|---|-----------|
| RH | 1 | ALX460080 |
| LH | 1 | ALX460090 |
- Not MGF Trophy.*
- 4 DRAIN CHANNEL EXTENSION:**
Included in rear wing assembly.
- | | | |
|----|---|-----------|
| RH | 1 | ALX460020 |
| LH | 1 | ALX460030 |



MG TF BOOT LID ASSEMBLY - BMD460070



Boot Lid/Engine Cover

- 9 BOOT LID:**
MGF
- | | | |
|------------|---|-----------|
| not Trophy | 1 | BMD460010 |
| Trophy | 1 | BMD460050 |
| MG TF | 1 | BMD460070 |
- 10 HINGE, boot lid:**
MGF (not Trophy), MG TF
- | | | |
|--|---|-----------|
| RH | 1 | BMB460020 |
| LH | 1 | BMB460030 |
| MGF Trophy (will fit all MGF & MG TF models) | | |
| RH | 1 | BMB460080 |
| LH | 1 | BMB460090 |
- 11 NUT, hinge to body** 6 **FN106047**
- 12 SCREW, hinge to boot lid** 4 **FS106167**
- 13 BOLT, hinge adjusting** 2 **EYG10004**
- 14 WASHER, plain** 2 **WA108057**

Rear Inner Panels

- 22 REAR INNER QUARTER PANEL:**
- | | | |
|----|---|-----------|
| RH | 1 | ALJ460061 |
| LH | 1 | ALJ460071 |
- 23 REAR INNER WHEEL ARCH, outer:**
- | | | |
|----|---|-----------|
| RH | 1 | ALK460060 |
| LH | 1 | ALK460070 |
- 24 CLOSING PANEL, rear inner quarter to rear wing:**
- | | | |
|----|---|-----------|
| RH | 1 | AME460260 |
| LH | 1 | AME460270 |
- 25 EXTENSION, rear wheel arch, MGF only:**
- | | | |
|----|---|-----------|
| RH | 1 | ALX460120 |
| LH | 1 | ALX460130 |
- 26 BRACKET, rear bumper, MGF only** 2 **ALU460110**
- 27 BRACE, engine bay, RH (MG TF only)** 1 **AGW460100**
- 28 BRACE, engine bay, LH (MG TF only)** 1 **AGW460110**
- 29 BRACKET, engine bay brace** 2 **AFP460020**
MG TF only.
- 30 LUGGAGE FLOOR** 1 **AGG460020**
- 31 REINFORCEMENT, luggage floor** 2 **AFR460100**
- 32 CROSSMEMBER, luggage floor** 1 **AFC460010**
- 33 SIDE MEMBER, luggage floor, RH:**
- | | | |
|-------|---|-----------|
| MGF | 1 | AFE460020 |
| MG TF | 1 | AFE460070 |
- 34 SIDE MEMBER, luggage floor, LH** 1 **AFE460030**
MGF & MG TF.
- 35 REINFORCEMENT, main floor** 1 **ADR460260**
- 36 SCREW, reinforcement to floor** 22 **AYG100260**



REAR WING SKIN, MGF RH, ALH460080R



REAR WING SKIN, MGF LH, ALH460090R

Outer Sills

- 5 OUTER SILL, complete assembly:**
Includes closing panel and extension. MGF only (MG TF outer sill is only available in the rear wing assembly).
- | | | |
|----|---|-----------|
| RH | 1 | ALA460060 |
| LH | 1 | ALA460070 |
- 6 OUTER SILL PANEL ONLY:**
MGF only (MG TF outer sill is only available in the rear wing assembly).
- | | | |
|----|---|-----------|
| RH | 1 | ALG460040 |
| LH | 1 | ALG460050 |
- 7 EXTENSION, front, outer sill:**
Fitted to both MGF and MG TF.
- | | | |
|----|---|-----------|
| RH | 1 | ALX460060 |
| LH | 1 | ALX460070 |
- 8 CLOSING PANEL, front, outer sill:**
Fitted to both MGF and MG TF.
- | | | |
|----|---|-----------|
| RH | 1 | AME460400 |
| LH | 1 | AME460410 |

OUTER SILL PANEL ONLY, MGF LH, - ALG460050



OUTER SILL PANEL ONLY, MGF RH, - ALG460040

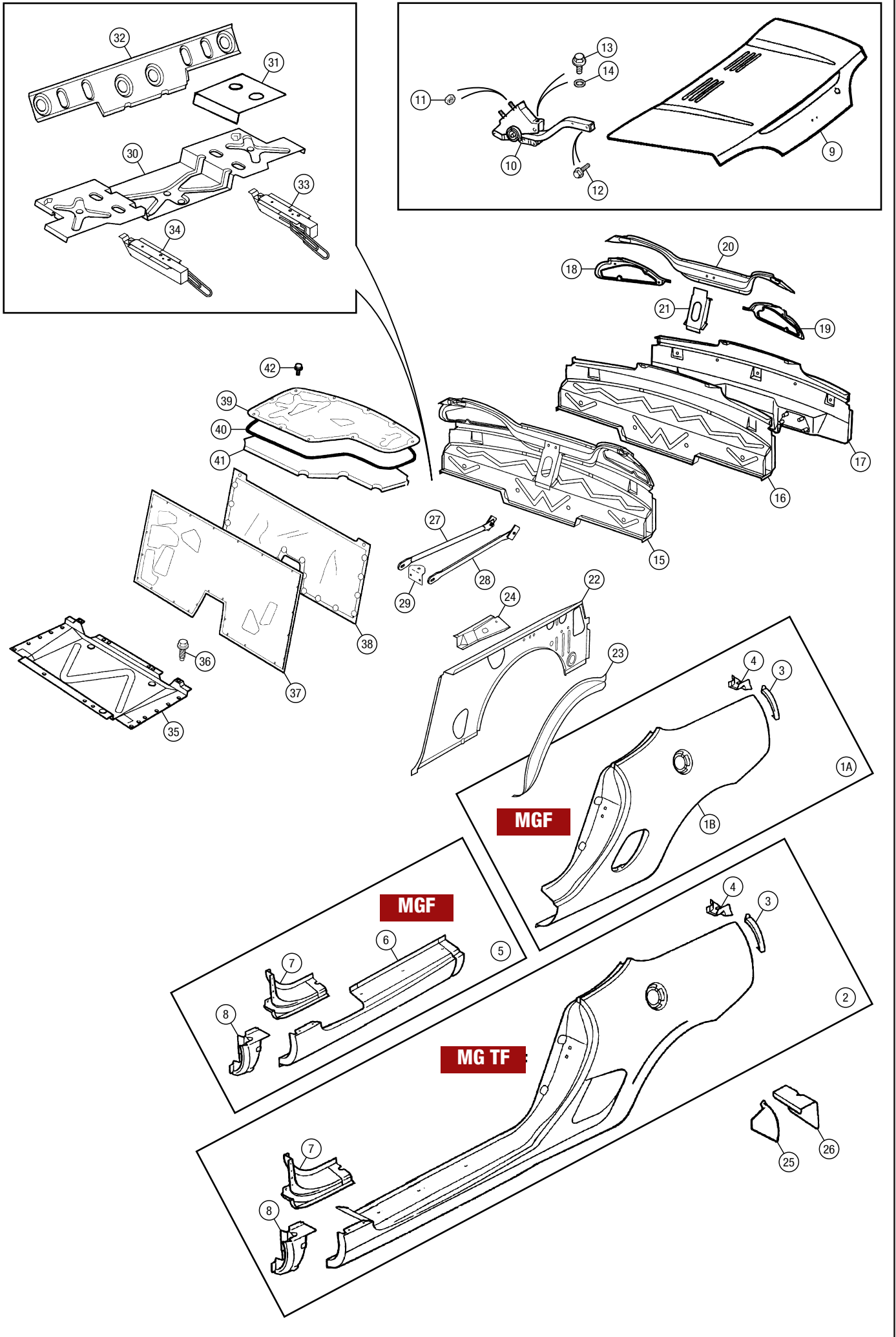


Rear Bulkhead

- 37 REAR BULKHEAD** 1 **ADG460070**
- 38 SEAL, rear bulkhead** 1 **EQN100010**
- 39 HOOD WELL LID** 1 **APN460011**
- 40 SEAL, hood well lid** 1 **APW100010**
- 41 HEATSHIELD, hood well lid** 1 **WEB101150**
- 42 SCREW, hood well lid to body** 11 **FS106127P**



BODY PANELS - REAR





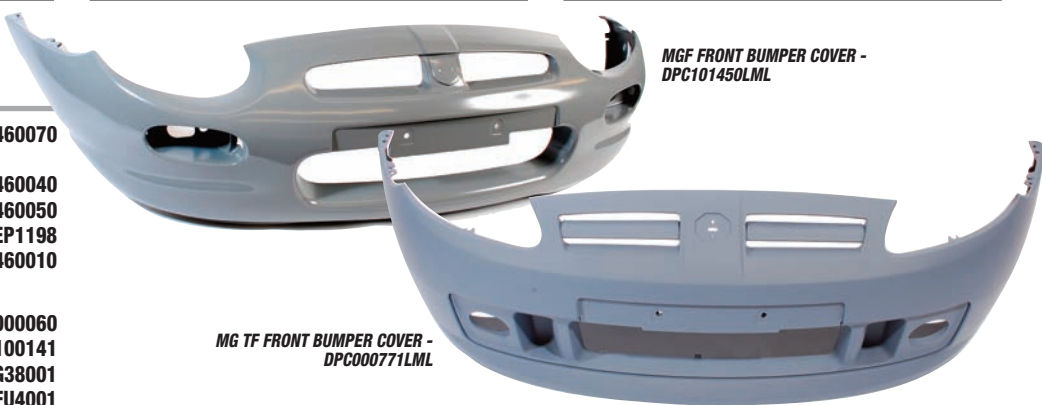
No.	DESCRIPTION	QTY REQ.	PART No.	No.	DESCRIPTION	QTY REQ.	PART No.	No.	DESCRIPTION	QTY REQ.	PART No.
-----	-------------	----------	----------	-----	-------------	----------	----------	-----	-------------	----------	----------

Bonnet & Fittings

1	BONNET ASSEMBLY	1	BAKA460070
2	HINGE, bonnet:		
	RH	1	BKB460040
	LH	1	BKB460050
3	SCREW, bonnet hinge	8	DEP1198
4	SHIM, bonnet hinge	A/R	BKC460010
	<i>Quantity of 6 is the default standard - add or subtract as required.</i>		
5	BUFFER, bonnet	2	CJM000060
6	BONNET STAY ROD	1	BKD100141
7	CLIP, stay rod	1	BKG38001
8	GROMMET, stay rod	1	AFU4001
9	BOLT, stay rod securing	1	FYG10007
10	NUT, stay rod securing	1	FN106047
11	LOCK STRIKER AND CATCH ASS'Y	1	FPB100110
12	LATCH ASSEMBLY	1	FPS10007
13	COVER PLATE, latch	1	FPT10005
14	SCREW, striker ass'y to bonnet	2	FS108161M
15	SCREW, latch to locking platform	2	FS108165M
16	CABLE, bonnet release	1	FSE000160
17	HANDLE, bonnet release	1	FSC100130PMA
18	BRACKET & PIVOT SCREW, handle	1	FSF100060
19	SCREW, handle pivot	1	FS108305L
20	SCREW, bracket to body	2	FS106125
21	CLIP, cable stay	2	DJP6400
22	TIE, cable	1	BMK1900

Front Wings & Fittings

23	FRONT WING:		
	RH	1	ASB460021
	LH	1	ASB460031
24	SCREW, front wing	16	AFP0663
25	STRUT, front wing support	2	ASN460040
26	PROTECTION STRIP, wing edge	2	CLB100110
	<i>MGF from VIN 1D533483, MG TF.</i>		
27	LINER, front wheel arch:		
	MGF		
	RH	1	CLF000360
	LH	1	CLF000370
	MG TF		
	RH	1	CLF000480
	LH	1	CLF000490
28	SCREW RIVET, liner	4	DBP5563
29	NUT, Lokut, liner:		
	MGF to VIN WD026606	2	CZG1817
	MGF VIN WD026607 on, MG TF	2	AFU1154L



Front Bumper & Grille - MGF

30	FRONT BUMPER COVER, primed	1	DPC101450LML
31	SCREW, bumper attaching, self tapping	14	DYP10035
32	SCREW, bumper attaching, M10 thread	2	SH110207
33	NUT, Lokut, self tapping screw	3	OYH003426EVA
34	WASHER, plain, M10 screw	2	WJ110007L
35	ARMATURE, front bumper	1	DPE100430
36	SCREW, armature to body	4	FS108207L
37	FIXING, number plate to bumper, screw (Japan and Australia)	2	FS106257
38	FIXING, number plate to bumper, nutsert (Japan and Australia)	2	ZKC2228
39	RADIATOR GRILLE, upper:		
	black	1	DQY100200PMD
	<i>All models not fitted with bright or chrome grilles.</i>		
	stainless steel	1	DQY100390MMM
	<i>Factory alternative to black up to VIN XD511058 (to '99).</i>		
	chrome	1	DQY100500MMM
	<i>Factory alternative to black from VIN XD511059 on ('99 on).</i>		
40	RADIATOR GRILLE, lower:		
	black	1	DQY100210PMD
	<i>All models not fitted with bright or chrome grilles.</i>		
	stainless steel	1	DQY100400MMM
	<i>Factory alternative to black up to VIN XD511058 (to '99).</i>		
	chrome	1	DQY100510MMM
	<i>Factory alternative to black from VIN XD511059 on ('99 on).</i>		
41	SCREW, grilles to bumper:		
	black	15	DYP101150
	<i>Use with black grilles only.</i>		
	bright finish	15	AB606049
	<i>Use with stainless steel or chrome grilles.</i>		
42	WASHER, grille screw, bright finish	15	WA104009
	<i>Use with stainless steel or chrome grilles.</i>		

Front Bumper & Grille - MGTF

43	FRONT BUMPER COVER, primed	1	DPC000771LML
44	SCREW, bumper to armature	2	ALR6871
45	WASHER, thick, armature screw early alternative	2	LR044352
	later alternative	2	DYF000200
46	MOUNTING BRACKET, fog lamp, RH (for use with later type bumper)	1	DPL000180
47	MOUNTING BRACKET, fog lamp, LH (for use with later type bumper)	1	DPL000190
48	SCREW, bracket to bumper	12	DYP101510
49	BLANKING PANEL, fog lamp: Models without fog lamps.		
	RH	1	DPF000200PMD
	LH	1	DPF000210PMD
50	STRUT, front bumper support	1	DPG000120
51	AIR DUCT, front bumper Manual, not air conditioning.	1	DXJ000020
52	SCREW RIVET, air duct Manual, not air conditioning.	3	DCP4229
53	NUT, spring Manual, not air conditioning.	6	DYC000220
54	ARMATURE, front bumper	1	DPE100432
55	SHIM, armature to body, 2mm Qty. 2 is default standard; add or subtract as required.	A/R	ACZ460031
56	CARTRIDGE, adhesive, bumper	1	DYM000020
57	RADIATOR GRILLE, lower:		
	black	1	DQY000100PMD
	<i>All models not fitted with bright grilles up to VIN 3D614114.</i>		
	bright	1	DQY000110MMM
	<i>Factory alternative to black up to VIN 3D614114, standard fitment thereafter.</i>		
58	SCREW, grille to bumper	10	DYP101150
59	NUT, spring	5	AK606075
60	BRIGHT FINISH GRILLE KIT Original equipment. Four piece, includes front and rear bumper grilles plus side intake grilles.	1	VUB002900

FRONT BUMPER LOWER GRILLE



BOOT LID GRILLE

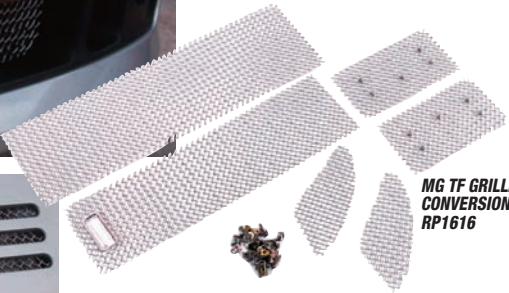


REAR BUMPER LOWER GRILLE



Grille Kits - Bright Finish

Save time and money as well as improving the looks of your car with our re-manufactured stainless steel (woven pattern) grille conversion kits. Supplied as a car set.



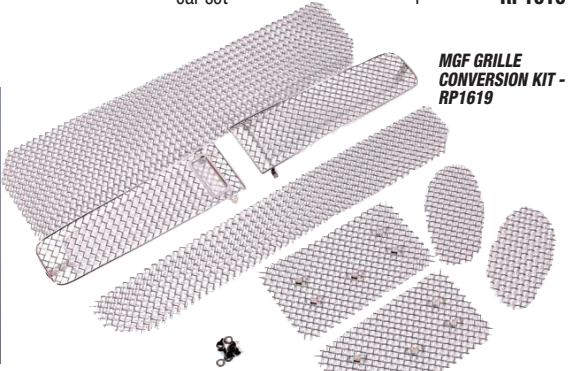
MG TF GRILLE CONVERSION KIT - RP1616

61 MGF GRILLE CONVERSION KIT (8 piece kit): Includes front bumper grilles (2), side intake grilles (2), rear bumper grilles (2) & bootlid grilles (2). Fitting hardware and instructions included. This kit is also available in black mesh to special order.

car set 1 **RP1619**

62 MG TF GRILLE CONVERSION KIT (6 piece kit): Includes front bumper lower grille (1), side intake grilles (2), rear bumper lower grille (1) & bootlid grilles (2). Fitting hardware and instructions included. Tiger seal or Silkaflex is also required for secure installation but not included. This kit is also available in black mesh to special order.

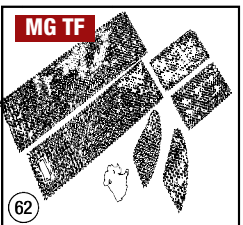
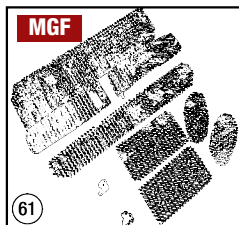
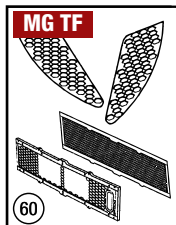
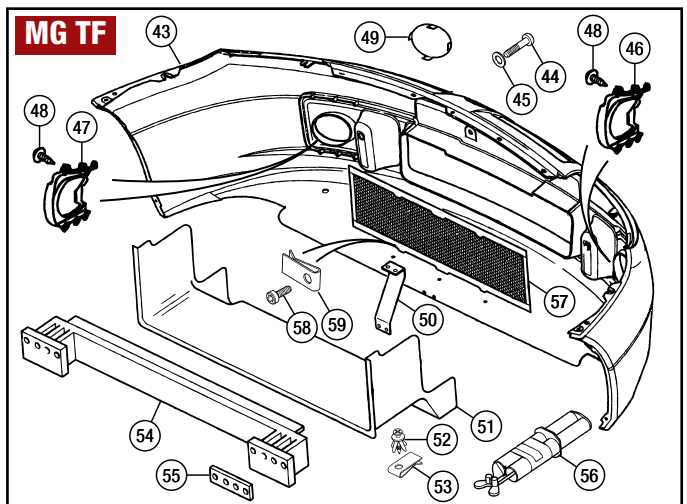
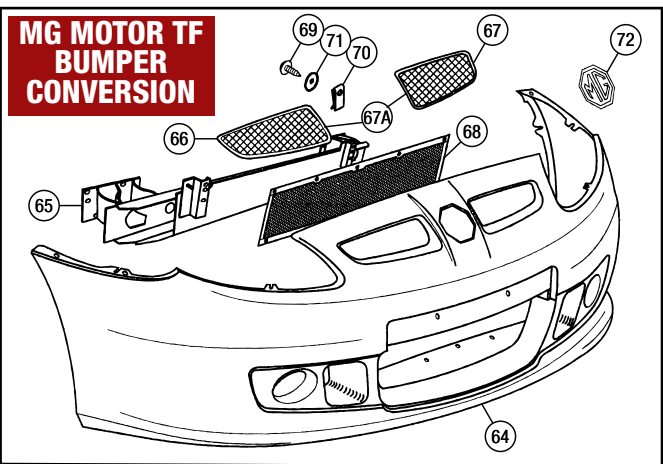
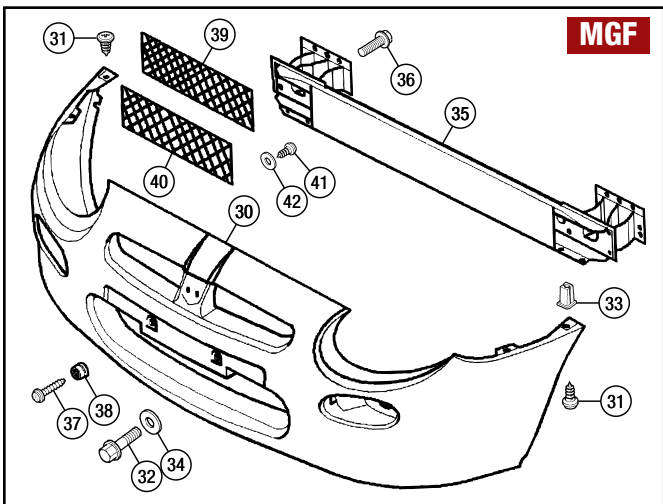
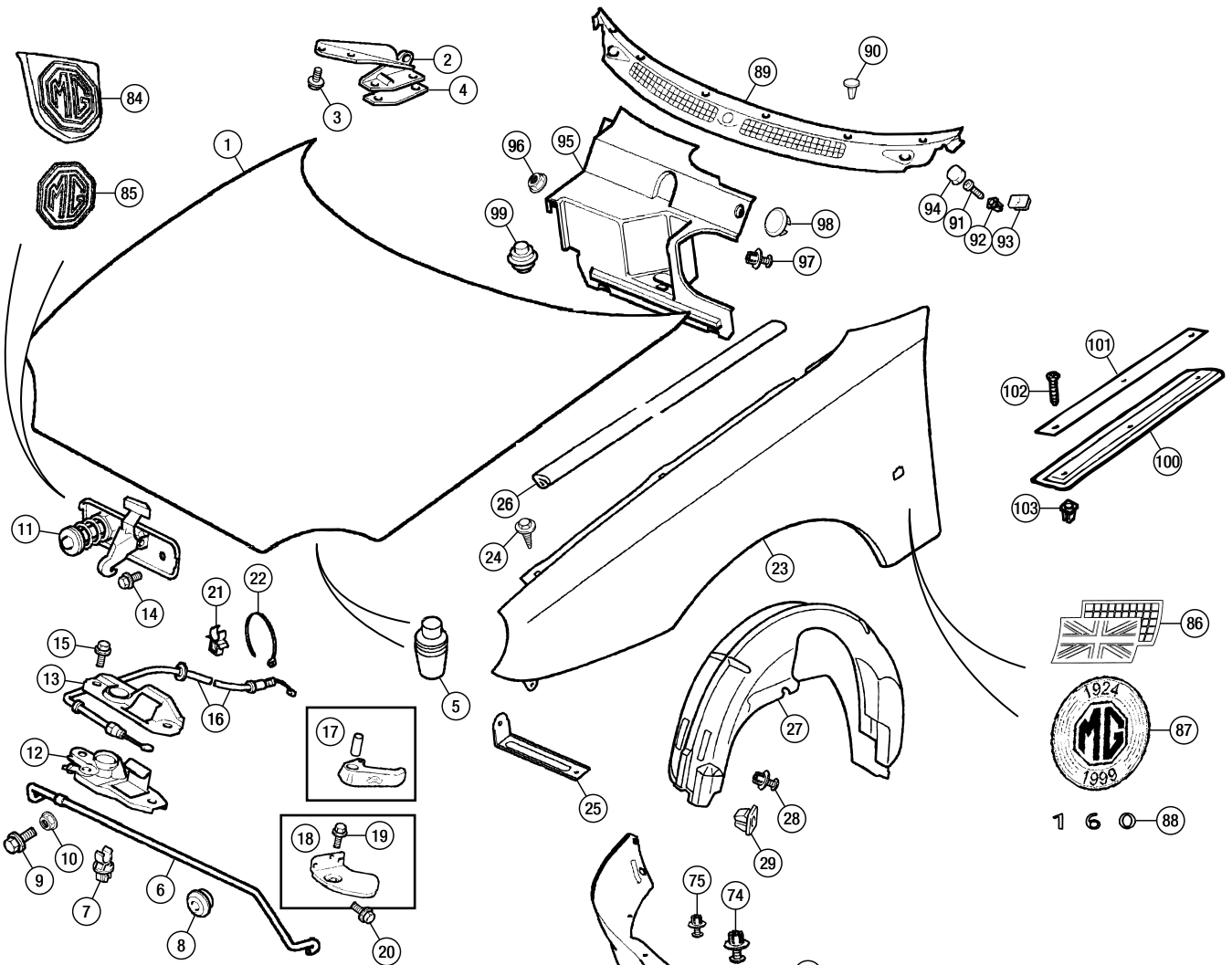
car set 1 **RP1616**



MGF GRILLE CONVERSION KIT - RP1619



SIDE INTAKE GRILLE





No.	DESCRIPTION	QTY REQ.	PART No.	No.	DESCRIPTION	QTY REQ.	PART No.	No.	DESCRIPTION	QTY REQ.	PART No.
-----	-------------	----------	----------	-----	-------------	----------	----------	-----	-------------	----------	----------



MG MOTOR TF FRONT BUMPER COVER - 300000245

MG Motor TF Bumper Conversion

Probably the nicest feature of the MG Motor MG TF built by Nanjing/SAIC from 2009 onwards is the front bumper and radiator grille styling - the smoother, more rounded lines lend a quite different appearance compared to the earlier MG Rover TF.

The parts involved are sufficiently similar to make attachment of the new front end to an MG Rover TF a reasonably straightforward conversion. The differences that do exist are overcome by using the following parts.

The bumper mounting armature looks the same but is subtly different in one respect. The weld nuts taking the two large bumper mounting screws are fitted to the holes below those used on the MG Rover TF. These holes need opening out and two new M10 nuts welded behind them. All other bumper to body fixings are the same and can be reused, including the large bumper to armature screws.

The upper grilles are obviously new, since the MG Rover TF doesn't have upper grilles. While the MG Rover lower grille can be adapted to fit the new bumper, the easy solution is to purchase new grilles and fixings.

If your MG Rover TF has fog lamps, no problem - they fit the new bumper assembly. If not, you may need to purchase a pair and wire them in (see Electrical) since all MG Motor TFs have fog lamps and consequently blanking panels for the lamp holes on this bumper do not exist.

Non-air conditioned MG Rover TFs feature an air duct behind the bumper - this will require slight modification to attach it to the new bumper.

Lastly, to finish the job, we've listed here the MG badges - both for the 'standard' MG Motor TF (a red/cream badge, matching the rear badge on older TFs) and the MG Motor TF LE 500 (in black/silver).

64	FRONT BUMPER COVER, primed	1	300000245
65	ARMATURE, front bumper MG TF type.	1	DPE100432
66	RADIATOR GRILLE, upper, bright, RH	1	300000402MMM
67	RADIATOR GRILLE, upper, bright, LH	1	300000404MMM
66-67	RADIATOR GRILLE, upper, black pair	1	ZUA000890IAH
68	RADIATOR GRILLE, lower bright	1	300000251MMM
	black	1	300000251IAH
69	SCREW, grille fixing	14	DA610057
70	NUT, spring, grille fixing	14	300000408
71	WASHER, clamping	14	300000489
72	BADGE, 'MG': front bumper red/cream (MG Motor, standard)	1	300000254
	black/silver (LE 500)	1	300001213
	boot lid, black/silver (LE 500)	1	300001212



MG BADGE - 300000254



MG BADGE, LE 500 - 300001213

Front Spoiler

MGF TROPHY

73	FRONT SPOILER ASS'Y, primed	1	DFB000010LML
----	-----------------------------	---	--------------

Includes screw rivets and foam infill blocks.

74	SCREW RIVET, spoiler attaching, large	4	DYQ000060
75	SCREW RIVET, spoiler attaching, small	2	DYQ000070
76	INFILL BLOCK, foam	2	DPJ000060



TROPHY FRONT SPOILER - DFB000010LML

Front Air Dam

77	AIR DAM, front subframe	1	KG Y000020
78	BRACKET, air dam MGF, MG TF to VIN 3D617574.	1	KG Y100060
79	SCREW, air dam; MGF, MG TF to VIN 3D617574.	3	FS106121P
	short	2	FS106167
	long	3	FN106047LP
80	NUT, air dam screw MGF, MG TF to VIN 3D617574.	3	FN106047LP
81	SCREW, air dam MG TF from VIN 3D617575 on.	2	FB106075L
82	WASHER, air dam	2	WJ110007L
83	NUT, air dam	2	NV110041

Front Badges

84	BADGE, front bumper, 'MG', MGF: to VIN 1D529867 (to '01)	1	DAB101370
	VIN 1D529868 on ('01 on)	1	DAB101720
85	BADGE, front bumper, 'MG': MG TF	1	DAB000160
	MG Motor LE 500 (black & silver) 85th anniversary	1	300001213
86	BADGE, front wing, MGF from VIN 1D530673 on ('01 on), MG TF. Union Flag/chequered flag	2	DAG000070MMM
87	BADGE, front wing, 'MG 1924-1999' MGF 75th Anniversary.	2	DAG100420
88	BADGE, front wing, '160' MG TF 160 from VIN 5D639631 on.	2	DAT000481MMM



MG BADGE - DAB101370



MG BADGE - DAB101720



MG BADGE - DAB000160



UNION FLAG/
CHEQUERED FLAG
BADGE -
DAG000070MMM

Scuttle & Underbonnet Finishers

89	FINISHER, scuttle panel <i>Includes clip fixings.</i>	1	ECG100161
90	CLIP, scuttle panel finisher	6	EYC10052
91	SCREW, scuttle panel finisher	6	EYP100900
92	NUT, Lokut, square	2	EYH10017
93	NUT, Lokut, rectangular	4	DYH000210
94	CAP, screw	6	ECQ10003
95	COVER, underbonnet space: RHD		
	manual	1	ECB100100
	automatic	1	ECB100260
	LHD		
	MGF, MG TF to VIN 3D612108	1	ECB100110
	MG TF VIN 3D612109 on	1	ECB100111
96	NUT, plastic, cover	1	CYH10001L
97	CLIP, cover	4	DBP5563
98	PLUG, blanking, cover	1	EYB100150
99	BUFFER, spare wheel well	2	CJM10006



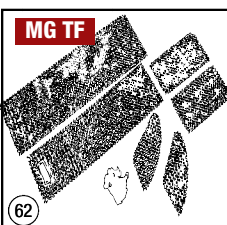
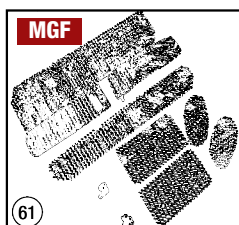
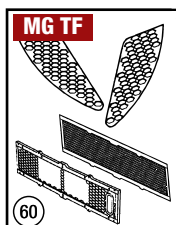
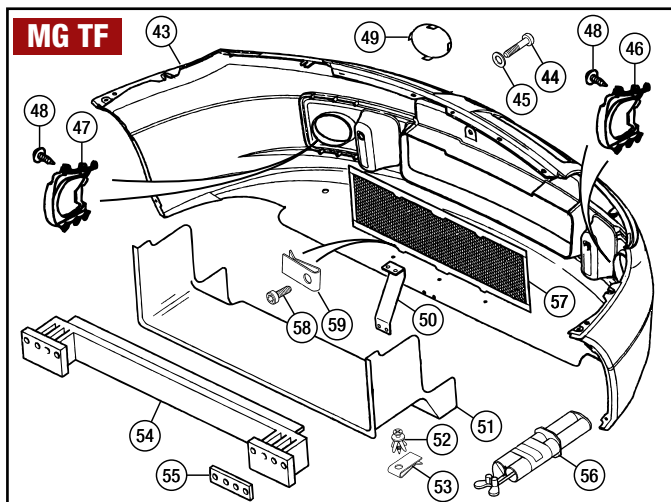
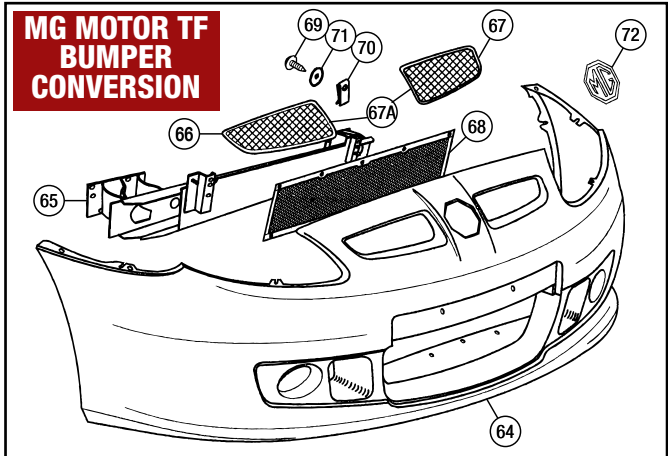
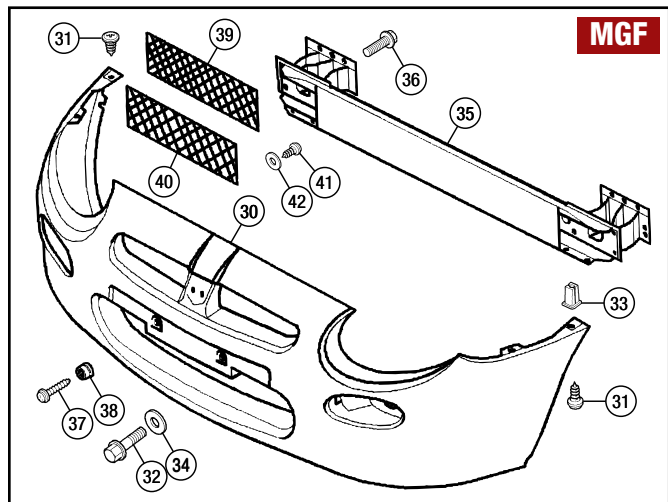
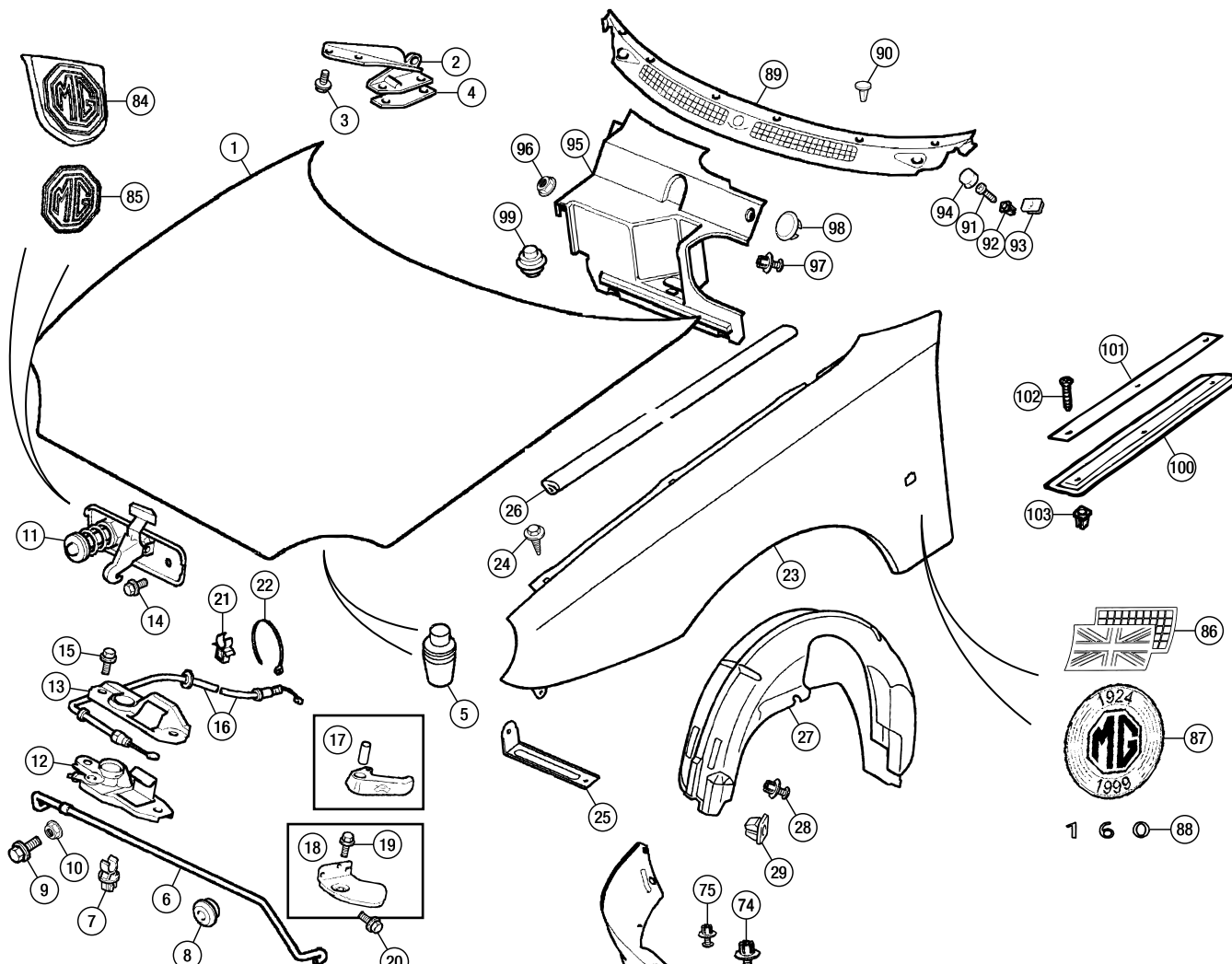
DOOR TREADPLATE - EAP100790MMM

DOOR TREADPLATE - 300000874

Door Treadplates

100	THRESHOLD FINISHER, door, black	2	EAN100751PMA
101	TREADPLATE, door, bright finish: MGF to VIN WD028922	2	EAP100580MMM
	<i>Without MG logo.</i>		
	MGF VIN WD028923 on, MG TF	2	EAP100790MMM
	<i>Features MG logo.</i>		
	MG Motor MG TF	2	300000874
	<i>Features MG logo. Nanjing/SAIC MG TF 2009 onwards type.</i>		
102	SCREW, treadplate to body	6	EYP10012
103	NUT, Lokut	6	DRC5582







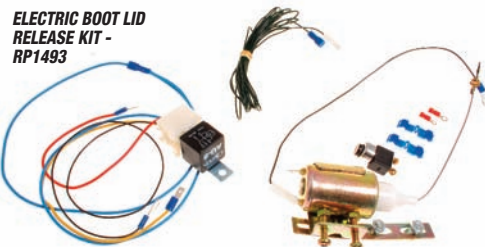
No.	DESCRIPTION	QTY REQ.	PART No.	No.	DESCRIPTION	QTY REQ.	PART No.	No.	DESCRIPTION	QTY REQ.	PART No.
-----	-------------	----------	----------	-----	-------------	----------	----------	-----	-------------	----------	----------

Boot Lid & Fittings

See also 'Grille Kits' for those looking to fit or replace a complete car set of grilles for the front/rear bumpers and side intakes/bootlid grilles.

1 BOOT LID:			
MGF			
	not Trophy	1	BMD460010
	Trophy	1	BMD460050
	MG TF	1	BMD460070
2 HINGE, boot lid:			
MGF (not Trophy), MG TF			
	RH	1	BMB460020
	LH	1	BMB460030
MGF Trophy (will also fit MGF & TF)			
	RH	1	BMB460080
	LH	1	BMB460090
3	NUT, hinge to body	6	FN106047LP
4	SCREW, hinge to boot lid	4	FS106167
5	BOLT, hinge adjusting	2	EYG10004
6	WASHER, plain	2	WA108057
7	BUMP STOP, boot lid hinge	2	BMI460011
8	BUFFER, boot lid, on boot lid	2	AAU5486SLP
9	BUFFER, boot lid, on body	2	CZU000070
10	ANTI RATTLE PAD, hinge	2	EZF100140
11	SEAL, boot lid, luggage area	1	CJE100431
12	SEAL, boot lid, engine bay	1	CJE100450
13	CIRCLIP, boot lid seal	2	HYV10002
14	LATCH, boot lid	1	FQU100230
15	COVER, boot lid latch	1	FQW000040PMA
16	STRIKER, boot lid latch	1	CLP6458
17	SCREW, latch to boot lid	2	FS106107
18	SCREW, striker to body	2	CLP5229
19 CAR LOCK SET:			
<i>Includes ignition switch/steering lock, door locks, boot lid lock and glovebox lock, plus two keys.</i>			
MGF			
	RHD, with remote locking	1	CWB105060MMM
	LHD, with remote locking	1	CWB105070MMM
MG TF			
	RHD		
	with key locking only	1	CWB001230MMM
	with remote locking	1	CWB001220MMM
	LHD, with remote locking	1	CWB001240MMM

ELECTRIC BOOT LID RELEASE KIT - RP1493



20 LOCK ASSEMBLY, boot lid:			
<i>Includes two keys, securing clip and cable.</i>			
	with non-specific key number	1	CWC101920
	with specific key number	1	CWC101920H
-	ELECTRIC BOOT LID RELEASE KIT		RP1493
<i>Allows the boot lid to be opened by a button in the cockpit instead of the sometimes inconvenient removal of the key from the ignition and having to get out of the car.</i>			
21	KEY BLANK, locks	1	CWE100580
22	CLIP, boot lid lock	1	CWH100100
23	CABLE, link, boot lid lock	1	FRC100090
-	WATER SHEDDER, boot lid lock	1	AVY000010
<i>Not illustrated.</i>			



Rear Spoiler - MGF

24 REAR SPOILER, primed:			
	4 hole fixing type	1	DFD101570LML
	2 hole fixing type	1	DFD106710LML
	Trophy (4 hole fixing) type	1	DFD000080LML
25 NUT AND WASHER, spoiler fixing:			
	4 hole fixing	4	ESR1560
	2 hole fixing	2	ESR1560

Rear Wing Fittings

26 PROTECTION STRIP, wing edge			
<i>MGF from VIN 1D533483 on, MG TF.</i>			
27 LINER, rear wheel arch:			
MGF			
	RH	1	CLF100861
	LH	1	CLF100871
MG TF			
	to VIN 4D622375		
	RH	1	CLF000500
	LH	1	CLF000510
	VIN 4D622376 on		
	RH	1	CLF000660
	LH	1	CLF000670
28	SCREW, liner to body	2	HYP100230
29	CLIP, liner screw	2	CYC100440
30	MUDSHIELD, rear wheel arch	1	CLK000020
<i>MG TF.</i>			



Rear Bumper - MGF

See also 'Grille Kits' for those looking to fit or replace a complete car set of grilles for the front/rear bumpers and side intakes/bootlid grilles.

31	REAR BUMPER COVER, primed	1	DQC101150LML
32	SCREW, bumper attaching, self tapping	2	DYP10035
33	SCREW, bumper attaching, M10 thread	2	SH110207
34	NUT, bumper attaching, Lokut, self tapping screw	2	OYH003426EVA
35	NUT, bumper attaching, M8 thread	3	FN108046P
36	WASHER, plain, M10 screw	2	WJ110007L
37	BRACKET, bumper mounting, RH	1	DQG100620
38	BRACKET, bumper mounting, LH	1	DQG100630
39	BOLT, bracket to body	8	FB108091L
40	SPACER, bumper side	2	DXH100010
41	SEAL, bumper to body	1	DZB100220
42	BRACKET, number plate (Japan)	1	DRM100080
43	SCREW, bracket to bumper (Japan)	2	YXP10005
44	FIXING, number plate to bumper, screw (Japan and Australia)	2	FS106257
45	FIXING, number plate to bumper, nutsert (Japan and Australia)	2	ZKC2228

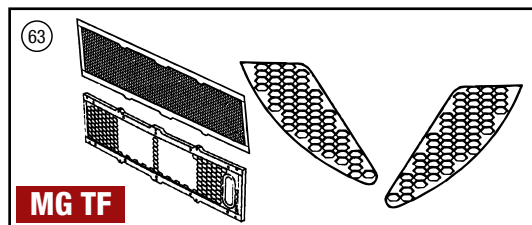
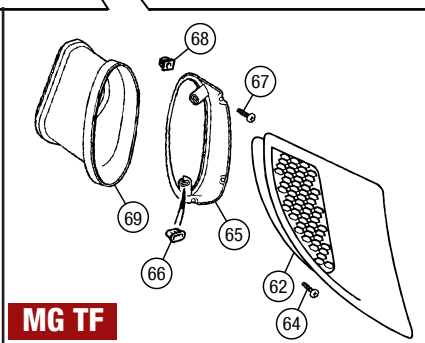
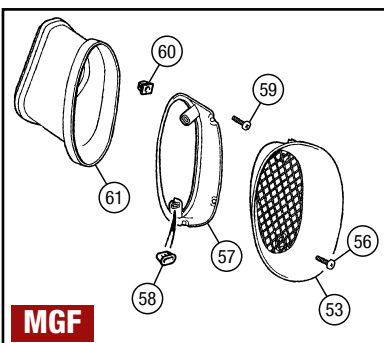
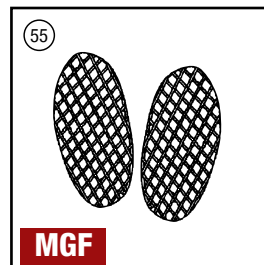
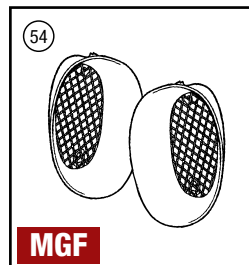
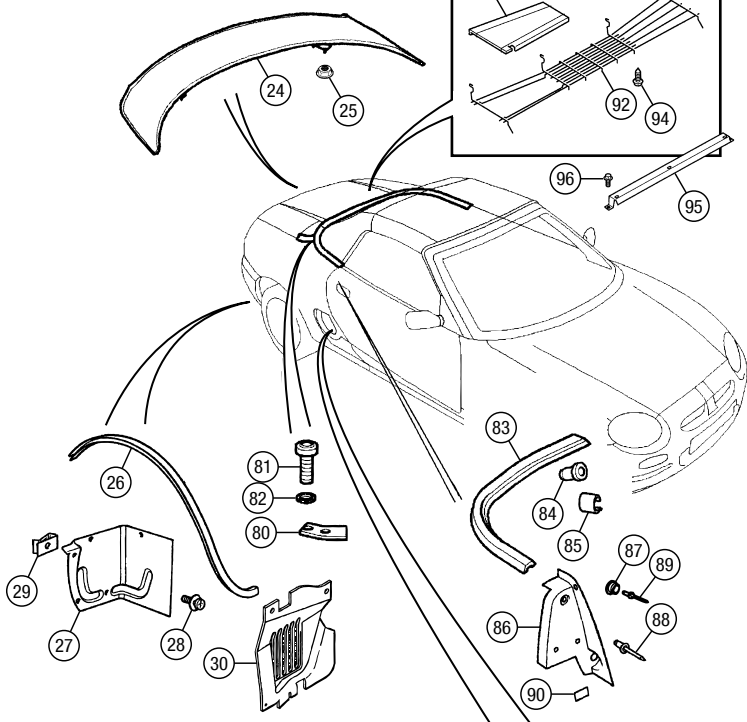
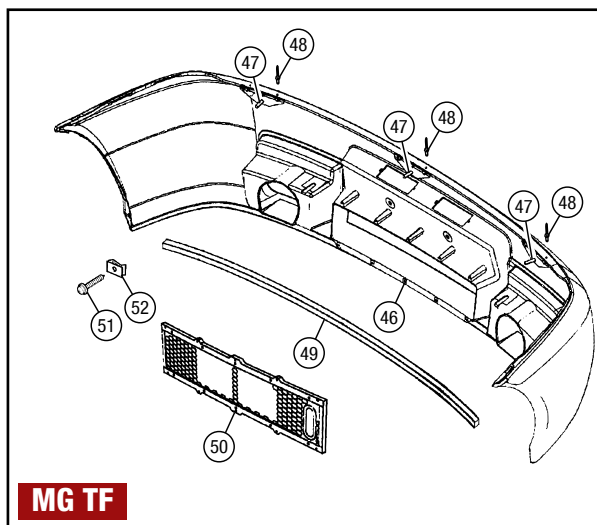
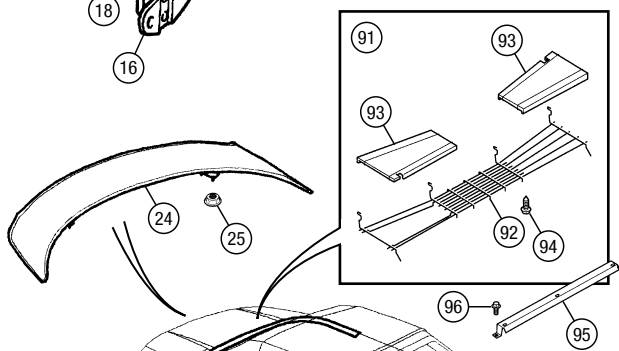
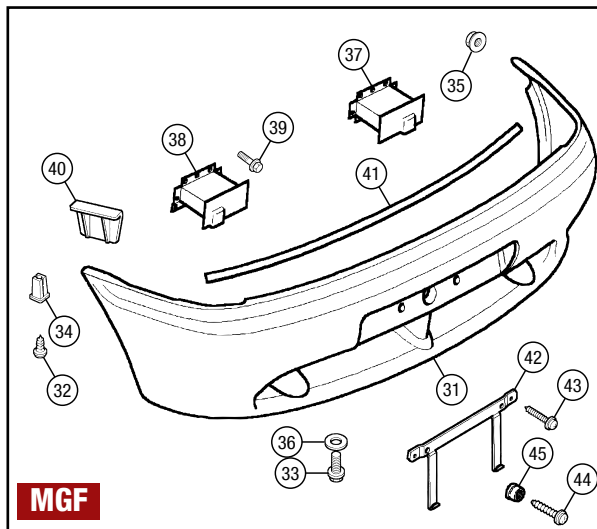
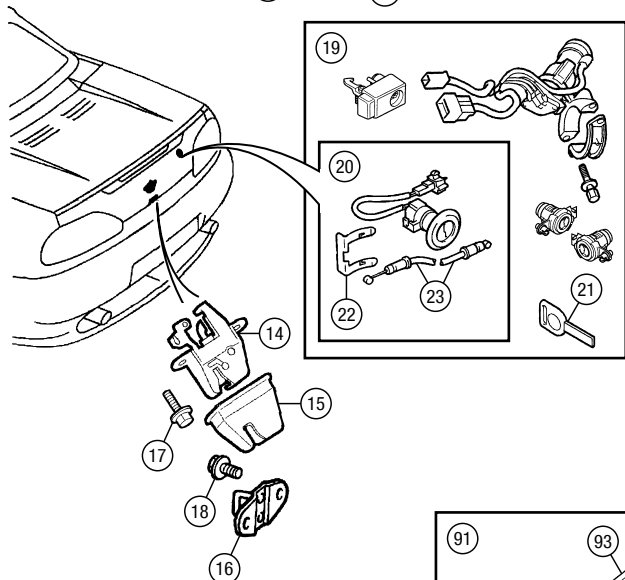
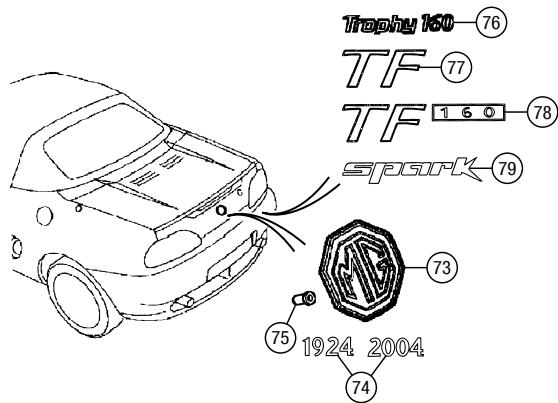
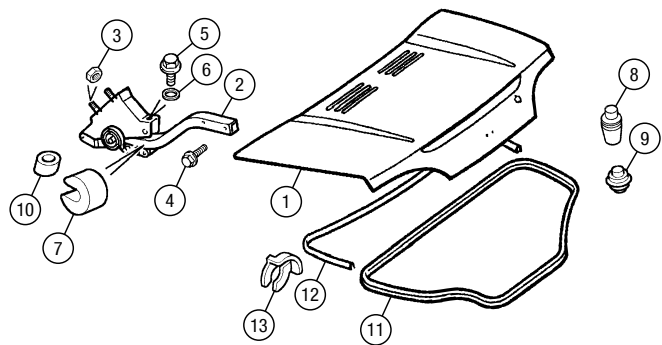
Rear Bumper - MG TF

See also 'Grille Kits' for those looking to fit or replace a complete car set of grilles for the front/rear bumpers and side intakes/bootlid grilles.

46 REAR BUMPER COVER, primed:			
	standard	1	DQB000961LML
	with parking distance holes	1	300000267
47	BRACKET, bumper mounting	3	DQG100580
48	RIVET, bumper to bracket	6	RA612183
49	SEAL, bumper to body	1	DZB100220
50 GRILLE, rear bumper:			
	black	1	DQY000120PMD
<i>All models not fitted with bright grilles up to VIN 3D614114.</i>			
	bright	1	DQY000131MMM
<i>Factory alternative to black up to VIN 3D614114, standard fitment thereafter.</i>			
51	SCREW, grille to bumper	10	DYP101150
52	NUT, spring	10	AK606075

Boot Racks

Mille Miglia 7 bar clamp-on (fits all models) Stainless Steel.	RP1123
Aluminium (fits all models, clamps on) wood slats	RX1330
aluminium slats	RX1330A





No.	DESCRIPTION	QTY REQ.	PART No.	No.	DESCRIPTION	QTY REQ.	PART No.	No.	DESCRIPTION	QTY REQ.	PART No.
-----	-------------	----------	----------	-----	-------------	----------	----------	-----	-------------	----------	----------

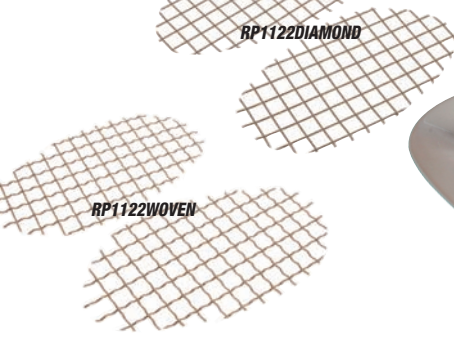
Side Air Intakes - MGF

Air intake bezels are available as factory supplied items (sold each) in either primer or original body colour, featuring black or bright finish grilles as originally applied to different MGF and MG TF models. At the time of writing, many colour schemes are still available, in stock and listed here, but eventually the range will be rationalised down completely to the primed, ready to paint versions. If your colour scheme isn't listed here (for example Charcoal, White Diamond or British Racing Green 2), then it is already unavailable and you should choose either primed bezels or one of our bezel pairs.

For those looking to fit or replace a complete car set of grilles for the front/rear bumpers and side intakes/bootlid grilles, refer to Grille Kits.

53 BEZEL ASSEMBLY, each, air intake:			
with black finish grilles			
primed/black			
RH	1	DHF100080LML	
LH	1	DHF100090LML	
amaranth/black			
RH	1	DHF100080KMM	
LH	1	DHF100090KMM	
anthracite/black			
RH	1	DHF100080LQY	
LH	1	DHF100090LQY	
black/black			
RH	1	DHF000020PMD	
LH	1	DHF000030PMD	
british racing green 3/black			
RH	1	DHF100080WDY	
LH	1	DHF100090WDY	
copperleaf red/black			
RH	1	DHF100080WRS	
LH	1	DHF100090WRS	
flame red/black			
RH	1	DHF100080CAW	
LH	1	DHF100090CAW	
morello purple/black			
RH	1	DHF100080WDX	
LH	1	DHF100090WDX	
nightfire/black			
RH	1	DHF100080CCT	
LH	1	DHF100090CCT	
volcano/black			
RH	1	DHF100080EAD	
LH	1	DHF100090EAD	
with bright finish grilles			
primed/bright			
RH	1	DHF100300LZW	
LH	1	DHF100310LZW	
anthracite/bright			
RH	1	DHF100300LDI	
LH	1	DHF100310LDI	
black/bright			
RH	1	DHF100300RHT	
LH	1	DHF100310RHT	
british racing green 3/bright			
RH	1	DHF100300HDQ	
LH	1	DHF100310HDQ	
copperleaf red/bright			
RH	1	DHF100300WLL	
LH	1	DHF100310WLL	
mulberry/bright			
RH	1	DHF100300WBM	
LH	1	DHF100310WBM	
platinum/bright			
RH	1	DHF100300WBN	
LH	1	DHF100310WBN	
solar red/bright			
RH	1	DHF100300WBJ	
LH	1	DHF100310WBJ	
54 BEZEL ASSEMBLY, pair, air intake:			
chrome bezels without grilles	1	RP1495	
Chrome bezels simply stick in place, retaining existing grilles. See also bezel grilles.			
anodised silver bezels			
Specially produced to match other alloy/alloy finish features on your MGF.			
with black grilles	1	RP1120ANO B	
with s/steel grilles	1	RP1120ANO C	
body colour with diamond pattern stainless grilles			
anthracite	1	RP1120LQW	
flame red	1	RP1120COF	
nightfire	1	RP1120CAQ	
solar red	1	RP1120CMU	
volcano	1	RP1120EAC	

MGF TWO PIECE SIDE INTAKE GRILLE KIT



55 BEZEL GRILLE ONLY, pair,			
two piece kit, air intake grilles			
Includes air intake grilles only in a choice of two bright finish stainless steel styles.			
diamond pattern	1	RP1122DIAMOND	
woven pattern	1	RP1122WOVEN	
56 SCREW, bezel securing:			
black	2	DA608045L	
Included with bezels featuring black grilles.			
bright finish	2	DA608048L	
Included with bezels featuring bright finish grilles.			
57 RETAINER, intake duct:			
RH	1	DHS100020	
LH	1	DHS100030	
58 GROMMET, duct retainer			
Included in intake duct retainer.	2	CYC100440	
59 SCREW, duct retainer	6	AC608065A	
60 NUT, Lokut	6	CZG1817	
61 DUCT, air intake:			
RH	1	DHN100100	
LH	1	DHN100110	

Side Air Intakes - MG TF

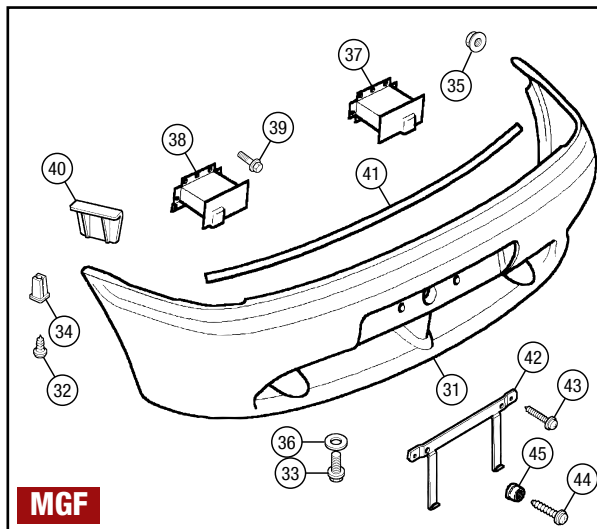
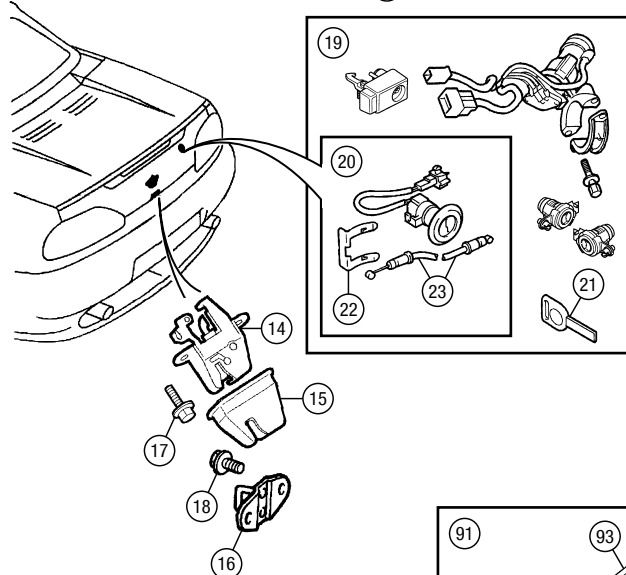
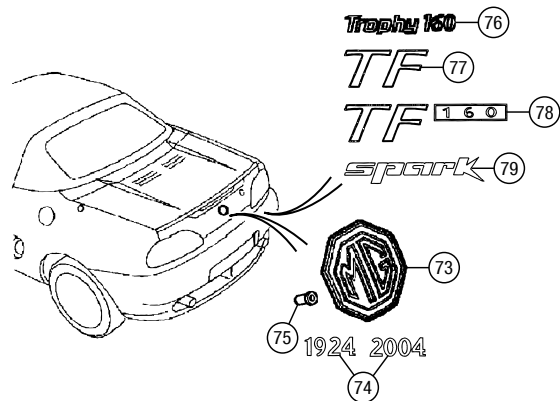
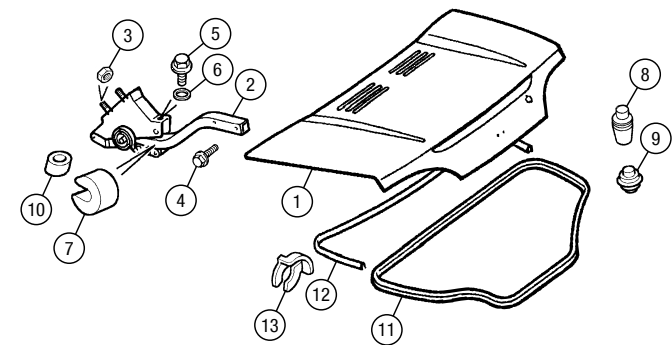
Air intake bezels are available as factory supplied items (sold each) in either primer or original body colour, featuring black or bright finish grilles as originally applied to different MGF and MG TF models. At the time of writing, many colour schemes are still available, in stock and listed here, but eventually the range will be rationalised down completely to the primed, ready to paint versions. If your colour scheme isn't listed here (for example Charcoal, White Diamond or British Racing Green 2), then it is already unavailable and you should choose either primed bezels or one of our bezel pairs.

For those looking to fit or replace a complete car set of grilles for the front/rear bumpers and side intakes/bootlid grilles, refer to Grille Kits.

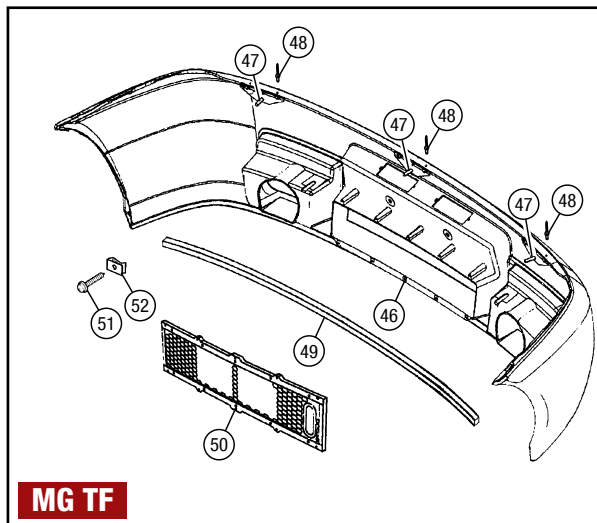
62 BEZEL ASSEMBLY, air intake:			
with black finish grilles			
primed/black			
RH	1	DHF000100LML	
LH	1	DHF000110LML	
anthracite/black			
RH	1	DHF000100LQY	
LH	1	DHF000110LQY	
british racing green 3/black			
RH	1	DHF000100WDY	
LH	1	DHF000110WDY	
dover white/black			
RH	1	DHF000100NUN	
LH	1	DHF000110NUN	
le mans green/black			
RH	1	DHF000100WFP	
LH	1	DHF000110WFP	
platinum/black			
RH	1	DHF000100MAG	
LH	1	DHF000110MAG	
royal blue/black			
RH	1	DHF000100JZN	
LH	1	DHF000110JZN	
sienna gold/black			
RH	1	DHF000100WDM	
LH	1	DHF000110WDM	
solar red/black			
RH	1	DHF000100WDQ	
LH	1	DHF000110WDQ	
trophy blue/black			
RH	1	DHF000100WAK	
LH	1	DHF000110WAK	
trophy Yellow/black			
RH	1	DHF000100WAJ	
LH	1	DHF000110WAJ	
XPower grey/black			
RH	1	DHF000100LZB	
LH	1	DHF000110LZB	



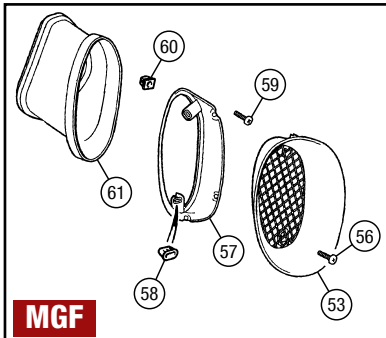
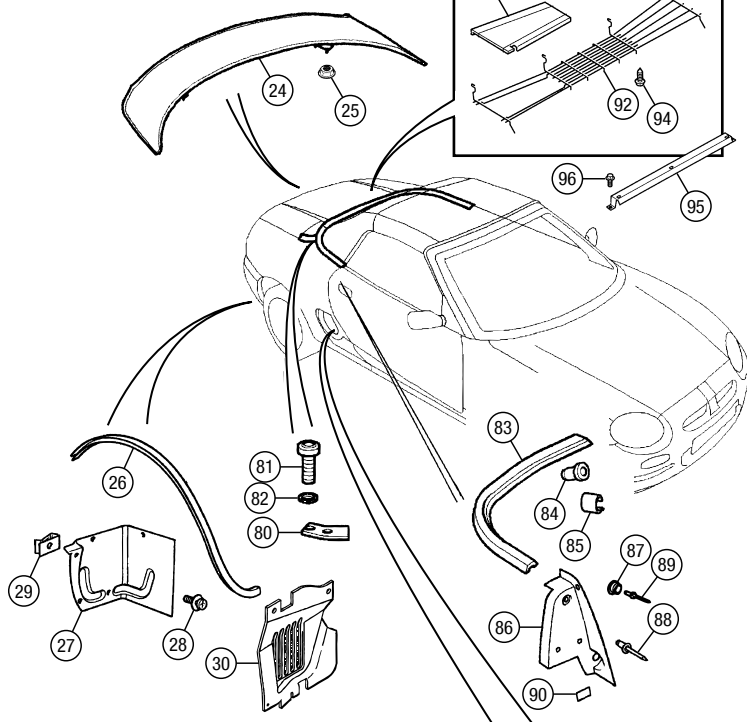
62 BEZEL ASSEMBLY, air intake, continued:			
with bright finish grilles			
primed/bright			
RH	1	DHF000120LZW	
LH	1	DHF000130LZW	
anthracite/bright			
RH	1	DHF000120LDI	
LH	1	DHF000130LDI	
aquamarine/bright			
RH	1	DHF000120HQN	
LH	1	DHF000130HQN	
british racing green 3/bright			
RH	1	DHF000120HDQ	
LH	1	DHF000130HDQ	
dover white/bright			
RH	1	DHF000120NUP	
LH	1	DHF000130NUP	
le mans green/bright			
RH	1	DHF000120WRB	
LH	1	DHF000130WRB	
pearl black/bright			
RH	1	DHF000120PBY	
LH	1	DHF000130PBY	
royal blue/bright			
RH	1	DHF000120WPJ	
LH	1	DHF000130WPJ	
sienna gold/bright			
RH	1	DHF000120WBP	
LH	1	DHF000130WBP	
solar red/bright			
RH	1	DHF000120WBJ	
LH	1	DHF000130WBJ	
tahiti blue/bright			
RH	1	DHF000120JAO	
LH	1	DHF000130JAO	
trophy blue/bright			
RH	1	DHF000120WAM	
LH	1	DHF000130WAM	
trophy yellow/bright			
RH	1	DHF000120WAL	
LH	1	DHF000130WAL	
63 BRIGHT FINISH GRILLE KIT	1	VUB002900	
Original equipment. 4 piece, includes front & rear bumper grilles plus air intake grilles.			
64 SCREW, bezel securing	6	WYG100430	
65 RETAINER, intake duct:			
RH	1	DHS000020	
LH	1	DHS000030	
66 GROMMET, duct retainer	2	CYC100440	
Included in intake duct retainer.			
67 SCREW, duct retainer	6	AC608065A	
68 NUT, Lokut	6	CZG1817	
69 DUCT, air intake:			
RH	1	DHN000060	
LH	1	DHN000070	



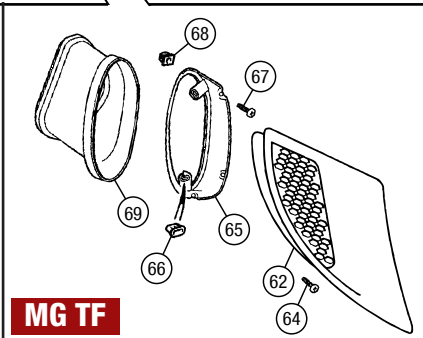
MGF



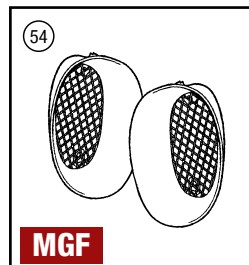
MG TF



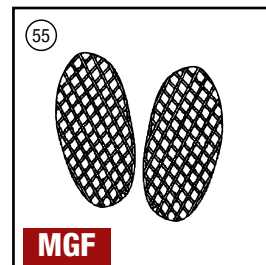
MGF



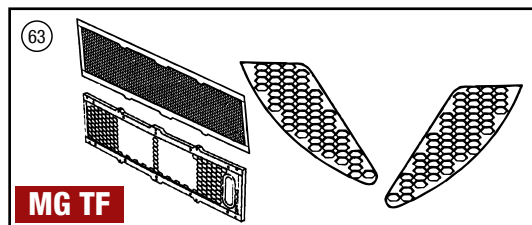
MG TF



MGF



MGF



MG TF

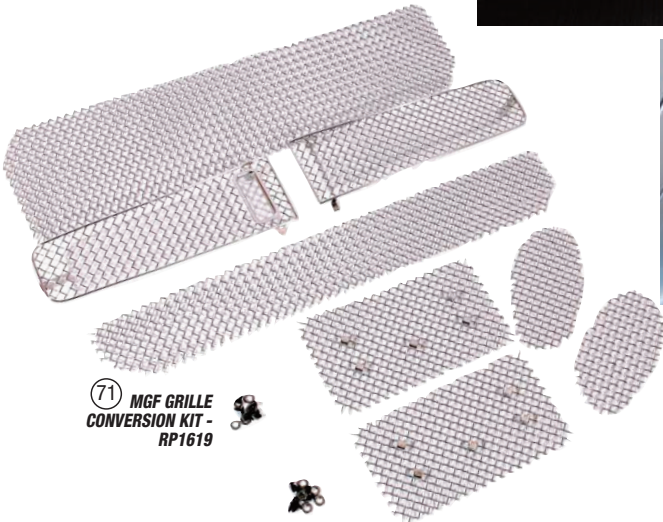


No.	DESCRIPTION	QTY REQ.	PART No.	No.	DESCRIPTION	QTY REQ.	PART No.	No.	DESCRIPTION	QTY REQ.	PART No.
-----	-------------	----------	----------	-----	-------------	----------	----------	-----	-------------	----------	----------

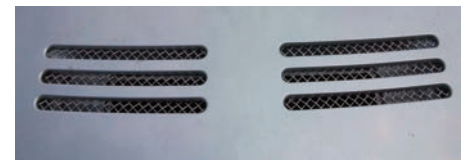
Grille Kits - Bright Finish

Save time and money as well as improving the looks of your car with our stainless steel (woven pattern) grille conversion kits. Supplied as a car set.

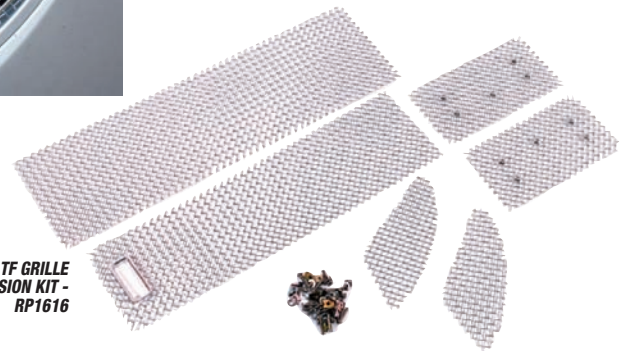
- 71 MGF GRILLE CONVERSION KIT (8 piece kit):**
Includes front bumper grilles (2), side intake grilles (2), rear bumper grilles (2) & bootlid grilles (2).
Fitting hardware and instructions included.
This kit is also available in black mesh to special order.
car set 1 **RP1619**
- 72 MG TF GRILLE CONVERSION KIT (6 piece kit):**
Includes front bumper lower grille (1), side intake grilles (2), rear bumper lower grille (1) & bootlid grilles (2).
Fitting hardware and instructions included. Tiger seal or Silkaflex is also required for secure installation but not included.
This kit is also available in black mesh to special order.
car set 1 **RP1616**



71 MGF GRILLE CONVERSION KIT - RP1619



72 MG TF GRILLE CONVERSION KIT - RP1616



Rear Badges

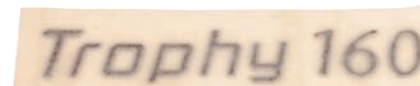
- 73 BADGE, boot lid, 'MG'**
MGF 1 **DAB101710**
Secures to body with blind fixes.
MG TF 1 **DAB000160**
Self adhesive.
MG Motor LE500 (Black & Silver) 1 **300001212**
85th anniversary. Self adhesive.
- 74 BADGE, boot lid, '1924-2004'** 1 **DAH000190MMM**
MG TF 80th Anniversary.
- 75 BLIND FIX, 'MG'** boot lid badge 2 **DAW10001**
MGF.
- 76 BADGE, rear panel, 'Trophy 160'** 1 **DAH000060MUL**
MGF Trophy.
- 77 BADGE, rear panel, 'TF'** 1 **DAT000551MMM**
MG TF (not TF 160).
- 78 BADGE, rear panel, 'TF 160'** 1 **DAT000180MVR**
MG TF 160.
- 79 BADGE, rear panel, 'Spark'** 1 **DAB000360**
MG TF Spark limited edition.
- BADGE, rear panel, 'Freestyle' 1 **DAH000160MUL**
MG TF Freestyle limited edition.



MG BOOT LID BADGE, MGF - DAB101710



MG BOOT LID BADGE, MG TF - DAB000160



TROPHY 160, REAR PANEL BADGE - DAH000060MUL



Rear Deck Finishers

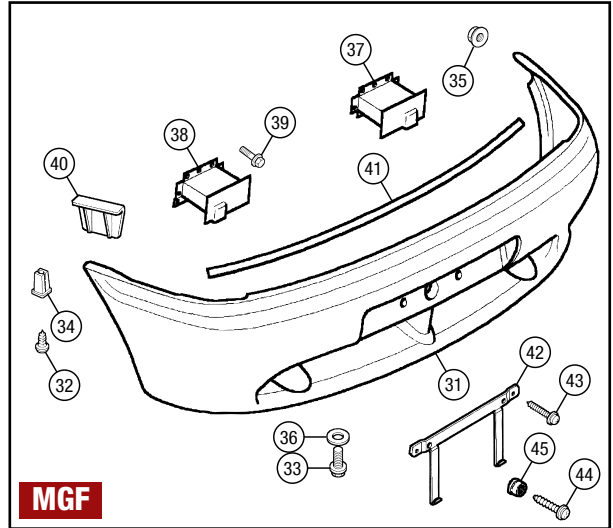
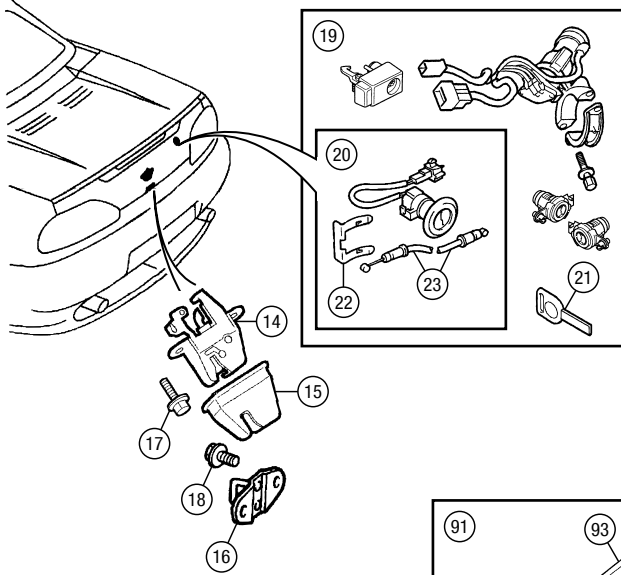
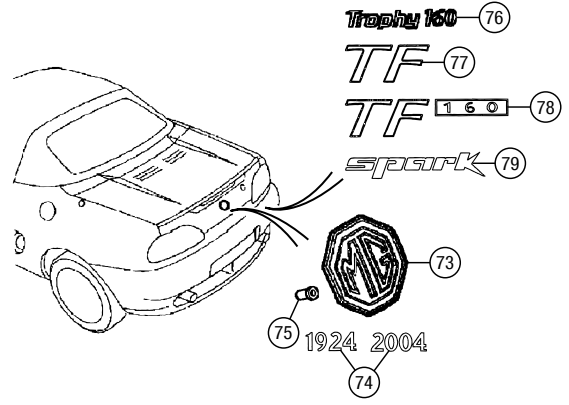
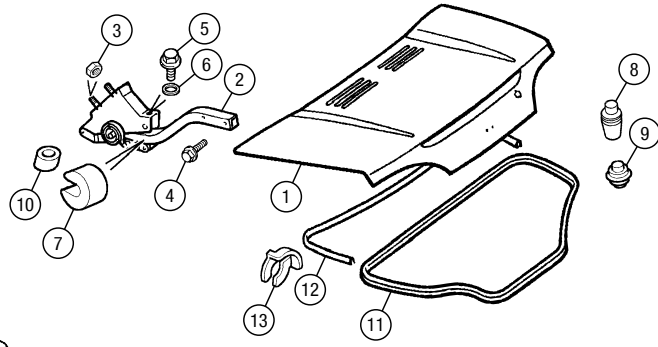
- 80 FINISHER, rear deck side:**
MGF (bright) 1 **DDJ100480MMM**
RH 1 **DDJ100490MMM**
LH
MG TF
to VIN 4D631116
RH (bright) 1 **DDJ000322MBC**
LH (bright) 1 **DDJ000332MBC**
VIN 4D631117 on
RH (bright) 1 **DDJ000323MBC**
LH (bright) 1 **DDJ000333MBC**
RH (primed, ready to paint) 1 **DDJ000323LML**
LH (primed, ready to paint) 1 **DDJ000333LML**
- 81 BOLT, finisher** 4 **DYG100580**
- 82 SEAL, bolt** 4 **DYX000020**
- 83 FINISHER, hood well edge:**
RH 1 **DDE101440PMA**
LH 1 **DDE101450PMA**
- 84 CLIP, finisher to body** 6 **EYC10064**
- 85 CLIP, finisher joint** 1 **DDQ100340**

B Post Finishers

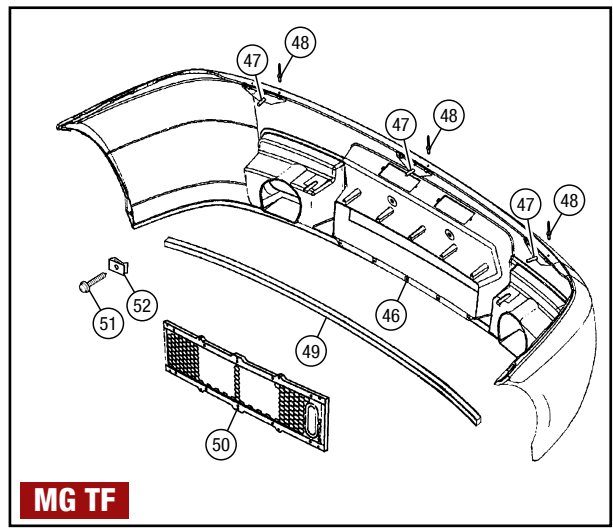
- 86 B POST FINISHER:**
RH 1 **DDD100500**
LH 1 **DDD100510**
- 87 STUD, hood cover fixing** 2 **HYR10002**
- 88 RIVET, finisher to B post** 4 **AFU1011**
- 89 RIVET, finisher and stud to B post:**
early alternative 2 **DYQ10013**
later alternative 2 **DYQ000100**
- 90 TAPE PATCH, B post** 2 **DZP100040**

Engine Guard

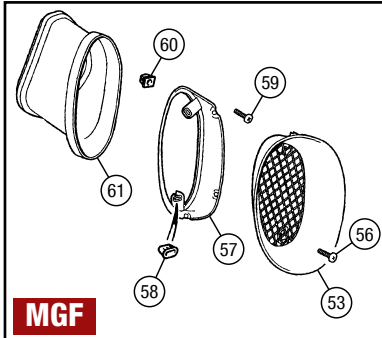
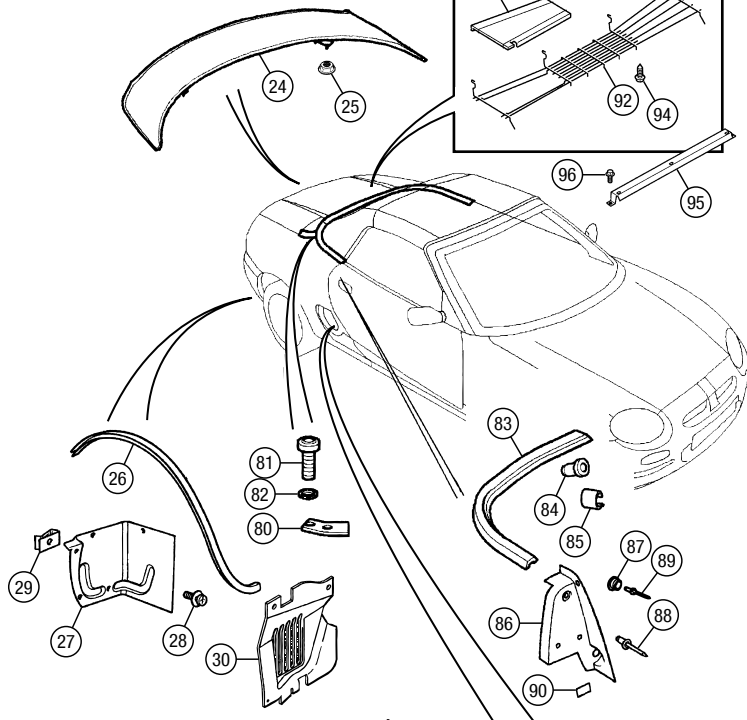
- 91 ENGINE GUARD ASSEMBLY** 1 **ESH100182**
Includes guard covers and fixings.
- 92 GUARD, engine** 1 **ESH100151**
- 93 COVER, engine guard:**
RH 1 **ERK100232**
LH 1 **ERK100231**
- 94 SCREW, engine guard securing** 11 **EYP100870**
- 95 BRACKET, parcel shelf** 1 **EPE100121**
- 96 SCREW, bracket securing** 4 **FS106127P**



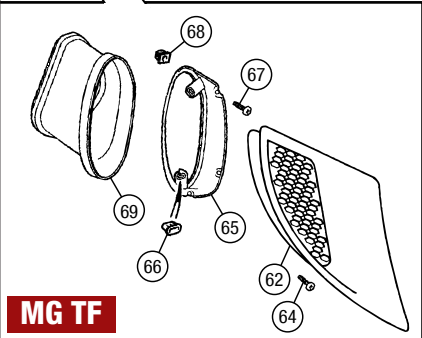
MGF



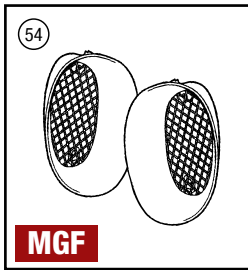
MG TF



MGF



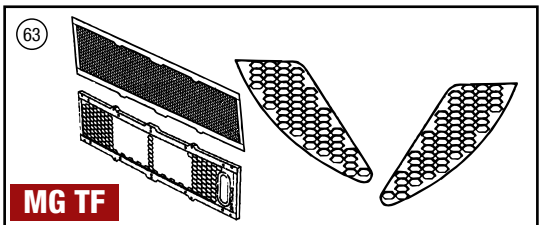
MG TF



MGF



MGF



MG TF



No. DESCRIPTION QTY REQ. PART No.

Doors & Hinges

Table with 3 columns: No., DESCRIPTION, QTY REQ., PART No. containing items 1-12 for Door Assembly, Door Skin, Door Hinge, and Door Stud.

Door Handles

Table with 3 columns: No., DESCRIPTION, QTY REQ., PART No. containing items 13-19 for Door Handle and Surround Assembly, Door Handle, and Escutcheon.

No. DESCRIPTION QTY REQ. PART No.

Door Latch & Striker

Table with 3 columns: No., DESCRIPTION, QTY REQ., PART No. containing items 20-24 for Door Latch Assembly, Button & Link Rod, and Lock Button Pin.

Lock Sets & Door Locks

Table with 3 columns: No., DESCRIPTION, QTY REQ., PART No. containing items 25-28 for Car Lock Set, Lock Assembly, and Key Blank.

Door/Interior Seals

Table with 3 columns: No., DESCRIPTION, QTY REQ., PART No. containing items 29-34 for Seal, Clip, and Nut.

No. DESCRIPTION QTY REQ. PART No.

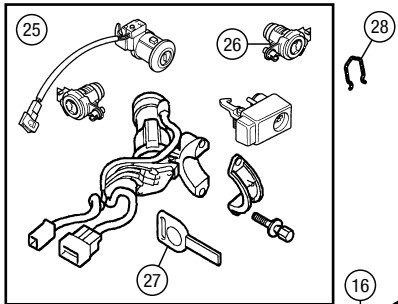
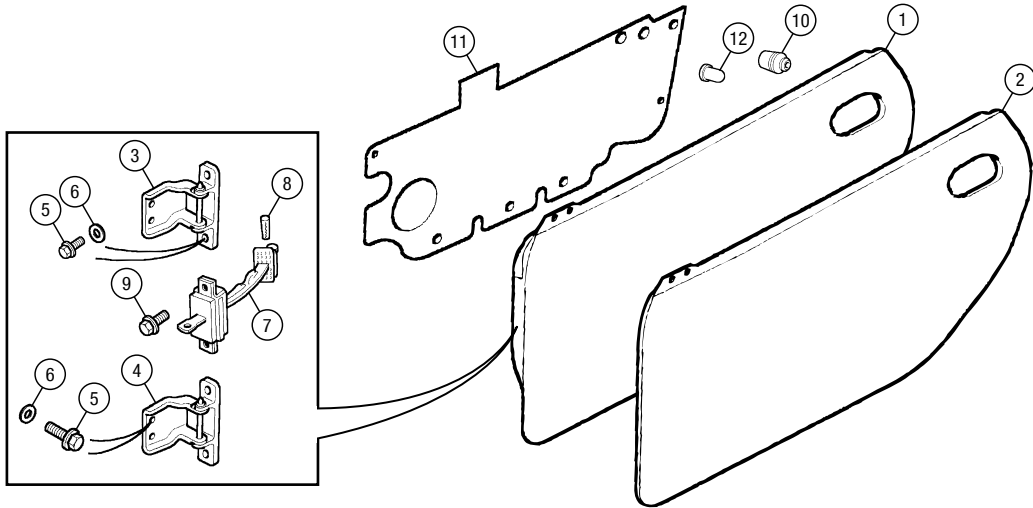
Door Glass & Regulator

Table with 3 columns: No., DESCRIPTION, QTY REQ., PART No. containing items 35-48 for Door Glass, Screw, Washer, Regulator Assembly, Front Seal, and Bracket.

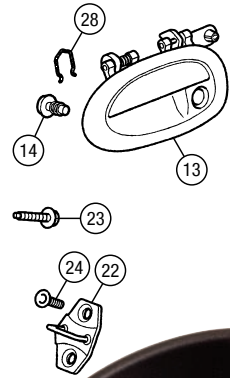
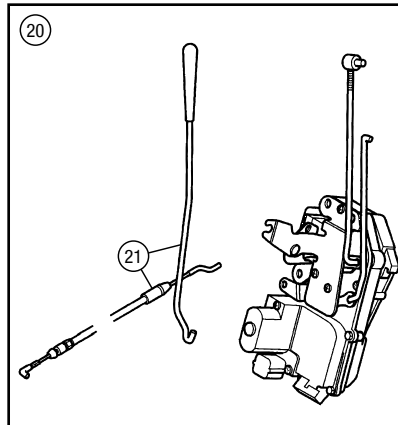
Door Glass Weatherstrip

Table with 3 columns: No., DESCRIPTION, QTY REQ., PART No. containing items 56-60 for Weatherstrip, Clip, and Finisher.

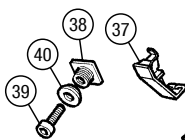
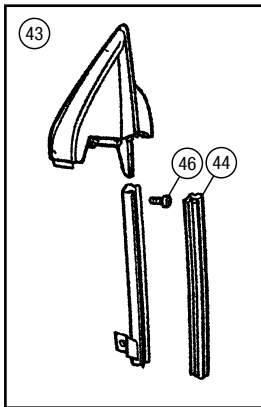




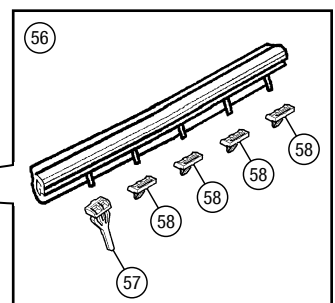
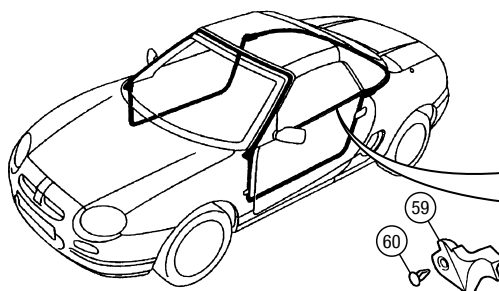
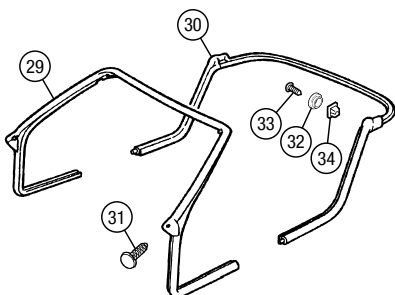
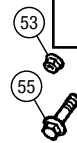
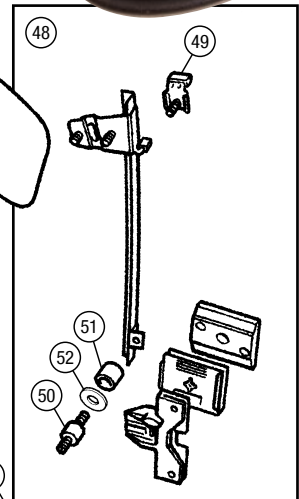
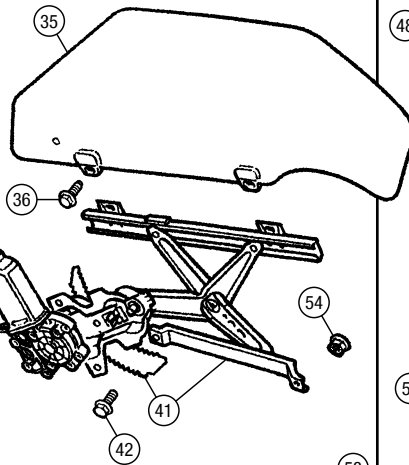
INTERIOR RH DOOR HANDLE ESCUTCHEON - FVJ100120PMA

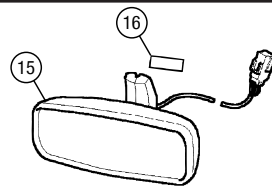
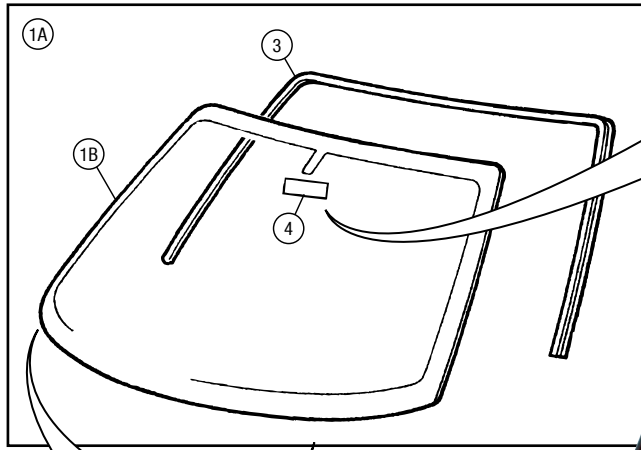


INTERIOR RH DOOR HANDLE ESCUTCHEON - FVJ100200IAJ

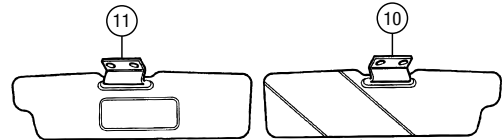
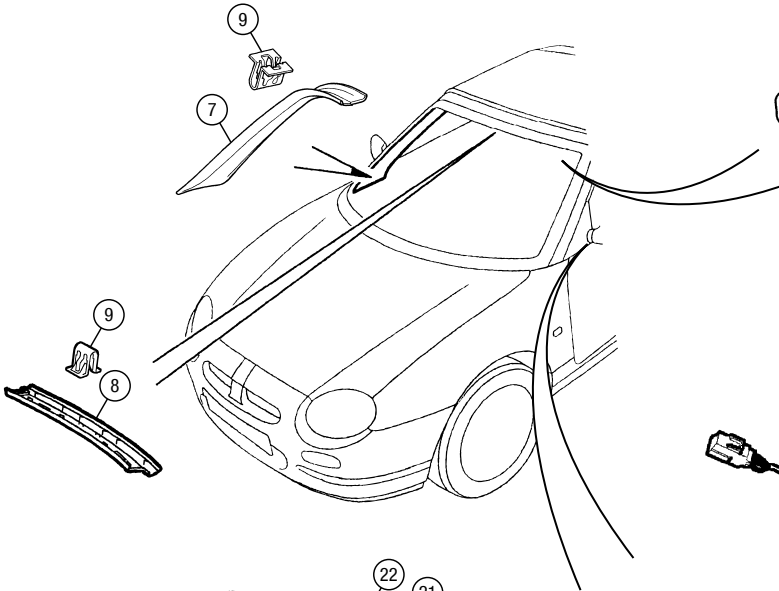
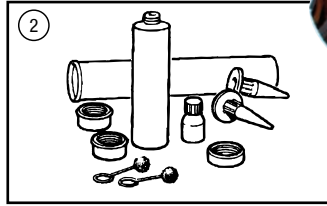


UPGRADED DOOR GLASS STOP KIT - CUQ100140URKIT

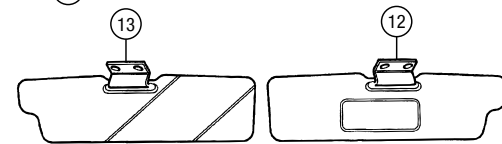




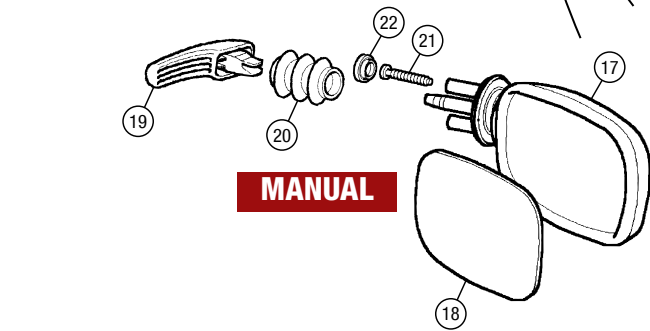
WINDSCREEN & FINISHER KIT - CMB101120PMH



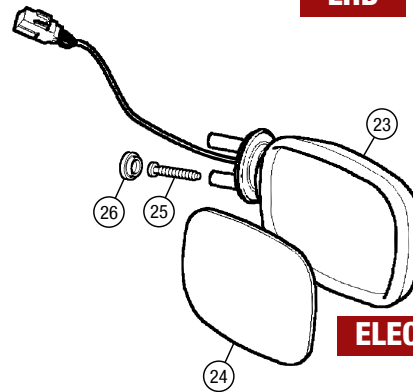
RHD



LHD



MANUAL



ELECTRIC





Interior Trim Introduction

'Just In Time' Trim Manufacturing

The adoption of the Honda-inspired Just In Time or 'JIT' delivery system at the Longbridge car plant meant that the specifically required trim assemblies for the next shift in car production arrived at the trackside at the start of and during that shift, freshly built from nearby factories (for example, the nearby Kings Norton seat factory). While being a very efficient and financially expedient way of Longbridge receiving components for production, it also allowed and encouraged a wide range of trim options to be offered on the cars without the factory storage facilities being overwhelmed with huge numbers of bulky, damage-prone seat assemblies, door trim panels etc.

As a result, in common with other MG Rover cars of the time (and those of most other volume car manufacturers) the MGF and MG TF models were offered with an increasingly wide range of seats and interior trim as the marketing department and production planners realised the great potentials offered by Just In Time deliveries.

MGF & MG TF Trim Identification

In theory, establishing the interior trim material/colour specification of your car may be done by reading the three letter trim code from the Vehicle Identification Number (VIN) plate, under the bonnet. Unfortunately (as always with interior trim) it's not that simple.

For a start, there is no published definitive list of VIN plate trim codes, outside of the in-house factory production records for each car. The charts in the factory parts catalogues are incomplete: the MGF parts catalogue microfiche fails to list several of the trim codes introduced between 1999 and 2001, for example Trophy trim. Frustratingly the later MG Rover electronic parts catalogues only show 2003 model year MG TF as an example to explain how the codes work and show nothing for MGF at all. One day no doubt some enthusiastic individual, probably from one of the car clubs or registers, will take a commendable amount of time and effort to research a definitive list, but it hasn't happened yet.

Secondly, in many instances the trim code allocation system broke down and the same codes were given to different materials, or even in some cases to different colour schemes (e.g. MGF Fusion Fabric, Mirage Fabric and leather trim in Black/Green all share the same trim code LQP, while Red leather and Ash Grey/Red leather are both CEN).

Thirdly, many cars by now have been retrimmed at some point in their lives, usually using one of the aftermarket upgrades available or using trim from other cars, so the trim code may well be irrelevant anyway. In the case of MGFs, retrimming may even have been done by the car's manufacturer. Every 'F Heritage' option car was retrimmed after leaving the Longbridge production line. The trim code on the VIN plate was not altered to reflect the new material and colour; it still described the trim with which the car was originally built.

The conclusion has to be that the VIN trim code is of very limited use; it may in some instances help you to establish the original trim spec. for your car, but even then usually only up to a point.

We'd like to help you work out what your car has as far as we possibly can, so the following is the list of original trim materials and colours, based on seat specifications:

MGF to VIN XD511058 (1995 to 1999)

Often referred to as 'Mk 1' trim.

Material(s)	Colour(s)
Fusion fabric	Black/Green Red/Red
Leather/Fusion Fabric	Black/Green Red/Red
Leather (F Heritage option)	Cream/Parchment Granite/Ash Grey Ash Grey/Red Red/Ash Grey
Leather (factory fitment)	Black Ash Grey/Green Ash Grey/Red Ash Grey/Grenadine Red (75th Anniversary) Walnut/Green (Brooklands Green LE) Light Stone Beige/Black

MGF from VIN XD511059 (2000 to 2001)

Often referred to as 'Mk 2' trim.

Material(s)	Colour(s)
PVC/Mirage Fabric	Black Walnut/Black
Mirage fabric	Black Walnut
Leather/Mirage fabric	Black Walnut
Silverstone fabric	Black/Blue/Yellow (Trophy)
Full leather	Black Walnut/Cream Green Tartan Red Tartan Red/Cream
Oxford Leather option	Ebony Alpaca

MG TF to VIN 5D639630 (2002 to 2005)

As per and often referred to as 'Mk 2' trim.

Material(s)	Colour(s)
Sebring fabric (non-fluted)	Black Light Tan
Sebring fabric (fluted)	Black Light Tan Grenadine Red
Daytona fabric	Black Grenadine Red
Full leather	Black Blue/Black Alpaca/Tan
Oxford Leather option	Ebony Champagne
Alcantara and leather	Black/Tan Black/Tan (80th Anniversary LE) Gunsmoke/Black Gunsmoke/Black (Spark SE) Blue/Black (Cool Blue SE) Grenadine Red/Black Grenadine Red/Black (80th Anniversary LE)

Trim Fabric Recognition

As a further aid to customers trying to work out what they have in their car, the following photographs should unlock the secrets of the fabric names:



Availability of Original Interior Trim

Unfortunately MG Rover failed to get to grips with what the knock-on effects of their diverse trim ranges would be for their parts and service division (car manufacturers are naturally so focussed on building and selling complete cars that they rarely give spare parts due consideration). You only need to look at this catalogue's Door Trim section to see the most extreme example of excesses in variation of interior trim and to realise what the pitfalls of making, stocking and selling all these variations as spare parts would be.

XPart (and before them, Unipart), had the unenviable job of cataloguing and stocking all the interior trim spares. With some relief to them (but to the concern of car owners with damaged trim), a handful of years after car production ended the huge ranges of difficult-to-warehouse trim items for the spares market began to be discontinued.

At time of writing, this discontinuation process is almost complete for the original soft trim used on MGF and MG TF seats: there are now no original factory replacement seat covers available, while some head restraints are still available (and listed in this section). However, remanufactured leather seat cover kits now offer an alternative.

A fair proportion of door trim panels are still available at time of writing (see 'Interior - Door Trim'), but 'when they're gone, they're gone'.

Leather Seat Assemblies

Of course something had to happen to satisfy the needs of all those enthusiasts with MGFs and MG TFs and an industry sprang up to service seats and other interior trim for the cars. Rimmer Bros. have chosen to offer a range of Classic style replacement seat assemblies (available in exchange for your old seats), complete with head restraints, beautifully upholstered in finest Scottish Bridge of Wier leather, ready to bolt straight into your car.

Our colour range has been chosen to match the colours of the door pods, gear lever gaiters, hand brake gaiters and other interior trim we offer, allowing you to create a complete top quality trim package for your car. Because our seats are mainly built to order (only the very most popular colours are usually available direct from stock), you can ring the changes in colours if you wish: contrasting piping in colours other than those shown here are available if desired, as are alternative main seat colours - please contact us to discuss special requirements.

Whether upgrading your interior from fabric to leather, replacing original leather trim or simply renewing your seats (many of our colours are complementary to original factory trim colours), we're sure our seats and trim are the very satisfying answer to most MGF and MG TF interior needs.



MGF to VIN XD511058 (to 1999),

'Mk 1' Type Seats

LEATHER SEAT ASSEMBLIES, pair, Classic style:

Sold in exchange for your old, reconditionable seats.

Includes head restraints.

Black/Black piping	1	RP1188BLACK
Black/Green (BRG) piping	1	RP1188BLACKBRG
Black/Blue piping	1	RP1188BLACKBLUE
Black/Red piping	1	RP1188BLACKRED
Black/White piping	1	RP1188BLKWHITE
Grey/Grey piping	1	RP1188GREY
Lt Stone Beige/Beige piping	1	RP1188BEIGE
Lt Stone Beige/Grey piping	1	RP1188BEIGEGREY
Biscuit/Biscuit piping	1	RP1188BISCUIT
Cream/Cream piping	1	RP1188CREAM
Green (BRG)/Green (BRG) piping	1	RP1188BRG
Green (BRG)/Grey piping	1	RP1188BRGGREY
Blue/Blue piping	1	RP1188BLUE
Red/Red piping	1	RP1188RED
Red/Grey piping	1	RP1188REDGREY

MGF VIN XD511059 on (2000 on), MG TF

'Mk 2' Type Seats

LEATHER SEAT ASSEMBLIES, pair, Classic style:

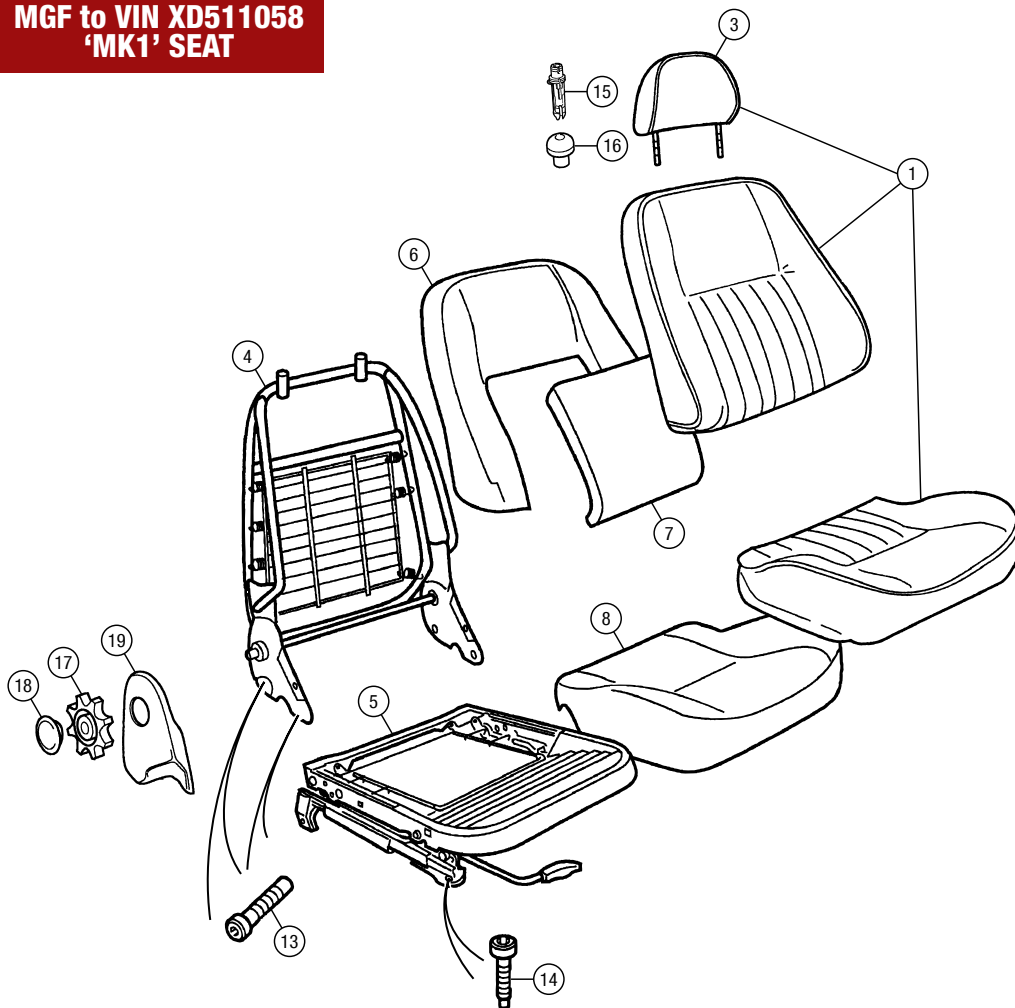
Sold in exchange for your old, reconditionable seats.

Includes head restraints.

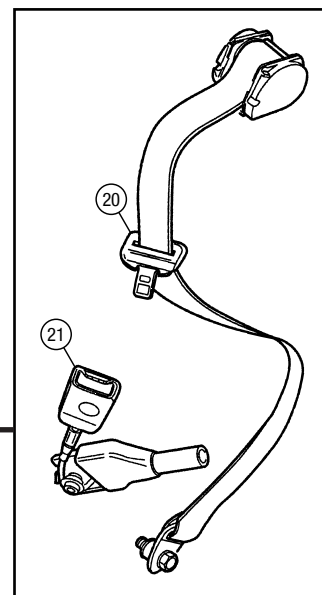
Black/Black piping	1	RP1149BLACK
Black/Green (BRG) piping	1	RP1149BLACKBRG
Black/Blue piping	1	RP1149BLACKBLUE
Black/Red piping	1	RP1149BLACKRED
Black/White piping	1	RP1149BLKWHITE
Grey/Grey piping	1	RP1149GREY
Lt Stone Beige/Beige piping	1	RP1149BEIGE
Lt Stone Beige/Grey piping	1	RP1149BEIGEGREY
Biscuit/Biscuit piping	1	RP1149BISCUIT
Cream/Cream piping	1	RP1149CREAM
Green (BRG)/Green (BRG) piping	1	RP1149BRG
Green (BRG)/Grey piping	1	RP1149BRGGREY
Blue/Blue piping	1	RP1149BLUE
Red/Red piping	1	RP1149RED
Red/Grey piping	1	RP1149REDGREY



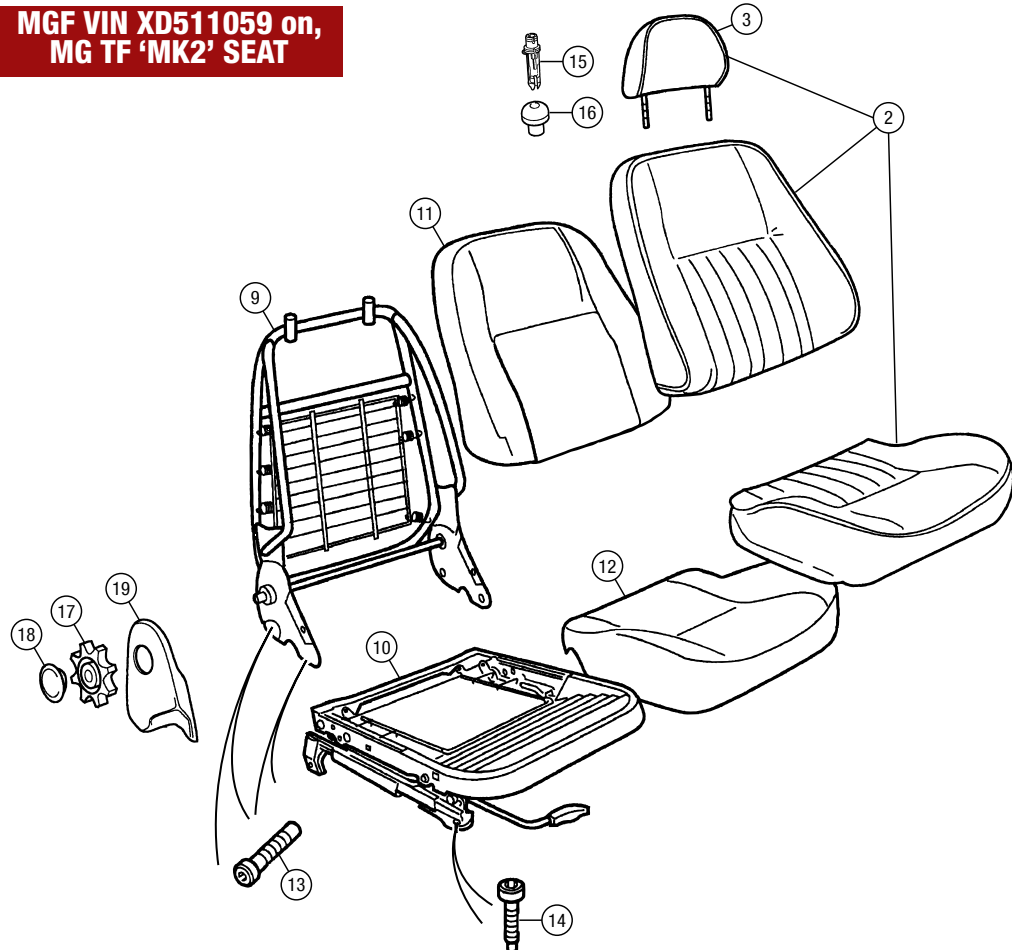
**MGF to VIN XD511058
'MK1' SEAT**



REPLACEMENT TRIM COLOURS
(as accurate as printing will allow).



**MGF VIN XD511059 on,
MG TF 'MK2' SEAT**



ORDER

BY PHONE: 01522 568000 / ON LINE: www.rimmerbros.co.uk / E-MAIL: mgrover@rimmerbros.co.uk



No. DESCRIPTION QTY REQ. PART No.

Seat Covers & Head Restraints

SEAT COVER KITS

Original seat covers for MGF and MG TF models are no longer available, however our range of high quality re-production leather seat cover kits offer the solution. These kits allow you to refurbish your existing seats and are supplied as a car set to include squab covers, cushion covers and complete leather faced headrests. The covers are designed to fit as per the original fixings. Alternate colours or contrasting piping are available for special (pre-paid) orders - please enquire. Please also see leather seat assemblies.

- 1 LEATHER SEAT COVER KIT: 'Mk1' type seats:
 - MGF to VIN XD511058 (to 1999).
 - Black/Black piping 1 RP1641BLACK
 - Grey/Grey piping 1 RP1641GREY
 - Lt Stone Beige/Beige piping 1 RP1641BEIGE
 - Biscuit/Biscuit piping 1 RP1641BISCUIT
 - Cream/Cream piping 1 RP1641CREAM
 - Green/Green piping 1 RP1641BRG
 - Blue/Blue piping 1 RP1641BLUE
 - Red/Red piping 1 RP1641RED

- 2 LEATHER SEAT COVER KIT: 'Mk2' type seats:
 - MGF VIN XD511059 on (2000 on), MG TF.
 - Black/Black piping 1 RP1642BLACK
 - Grey/Grey piping 1 RP1642GREY
 - Lt Stone Beige/Beige piping 1 RP1642BEIGE
 - Biscuit/Biscuit piping 1 RP1642BISCUIT
 - Cream/Cream piping 1 RP1642CREAM
 - Green/Green piping 1 RP1642BRG
 - Blue/Blue piping 1 RP1642BLUE
 - Red/Red piping 1 RP1642RED

- 3 HEAD RESTRAINT, seat:
 - Some of the original head restraints for MGF and MG TF seats are still available, at clearance bargain prices and on 'when they're gone, they're gone' status. The versions still in stock at time of writing are as follows:

- MGF to VIN XD511058 (to 1999)
 - Fusion fabric
 - Red 2 HAH102690CCY
 - leather and Fusion fabric
 - Black/Green face 2 HAH102700RJY
 - Red 2 HAH102700CCY
 - full leather (F Heritage option)
 - Ash Grey/Red face 2 HAH103140RUV
 - Granite/Ash Grey face 2 HAH103140LBB
 - full leather (factory fitted option)
 - Ash Grey/Green face 2 HAH103170RQN

- MGF VIN XD511059 on (2000 on)
 - Mirage fabric
 - Walnut 2 HAH103590RIJ
 - leather and Mirage fabric
 - Walnut 2 HAH103600RIJ
 - Black 2 HAH103600PMA
 - full leather option
 - Black 2 HAH103610PMA
 - Walnut/Cream face 2 HAH103610WCX
 - Green/Black face 2 HAH103610WCY
 - Tartan Red/Cream face 2 HAH103610WDA
 - Tartan Red/Black face 2 HAH103610WDS
 - Silverstone fabric (Trophy only)
 - Black/Blue & Yellow face 2 HAH000200WRA

- MG TF
 - Sebring fabric
 - Black 2 HAH000410PVD
 - Light Tan 2 HAH000410SUQ
 - Grenadine Red 2 HAH000410CVM
 - Daytona fabric
 - Black/Grenadine Red face 2 HAH000430CVN
 - Light Tan 2 HAH000430LTD
 - Full leather option
 - Black 2 HAH000440PMA
 - Black/Blue face 2 HAH000440JZM
 - Tan/Alpaca face 2 HAH000440SUS
 - Oxford Leather option
 - Champagne 2 HAH103880VAJ
 - Alcantara and leather
 - Black/Grenadine Red face 2 HAH000450CVP
 - Black/Blue face 2 HAH000450JSQ

No. DESCRIPTION QTY REQ. PART No.



SEAT LOWERING KIT - RP1499

Seat Lowering Kit

Simple and inexpensive way of lowering the seat cushions (by approx. 1/2 inch), making all the difference in comfortable seating for taller drivers. Kit includes springs for both front seats, plus fitting instructions.

- SEAT LOWERING KIT 1 RP1499



REPLACEMENT SEAT BELT KIT - RB7355-15WBLACK

No. DESCRIPTION QTY REQ. PART No.

Seat Components

MGF to VIN XD511058 (to 1999) 'Mk 1' seat

- 4 SEAT FRAME, squab (seat back) assembly:
 - RH 1 HFA103820
 - LH 1 HFA103830
- 5 SEAT FRAME, cushion (seat base) ass'y, with runners:
 - RH 1 HFB102240
 - LH 1 HFB102250
- 6 SEAT FOAM, squab (seat back), outer 2 HGA100720
- 7 SEAT FOAM, squab (seat back), inner 2 HGA100730
- 8 SEAT FOAM, cushion (seat base) 2 HGB100640

MGF VIN XD511059 on (2000 on), MG TF 'Mk 2' seat

- 9 SEAT FRAME, squab (seat back) assembly:
 - RH 1 HFA105220
 - LH 1 HFA105230
- 10 SEAT FRAME, cushion (seat base) ass'y, with runners:
 - RH 1 HFB102240
 - LH 1 HFB102250
- 11 SEAT FOAM, squab (seat back) 2 HGA101060
- 12 SEAT FOAM, cushion (seat base) 2 HGB101050

Components Common to Both Seat Types

- 13 BOLT, seat frame assembly:
 - MGF, MG TF to VIN 5D638639 8 HYG000030
 - MG TF VIN 5D638640 on 8 HYG100430
- 14 SCREW, seat runner to floor 8 DAM8413
- 15 ESCUTCHEON, locking, head rest 4 HJQ100280LNF
- 16 CAP, escutcheon 4 HJP100090LR
- 17 HANDWHEEL, recline mechanism 2 HJN100170LNF
- 18 CAP, handwheel 2 HJP100120LNF
- 19 COVER, recline mechanism:
 - RH seat 1 HJT100821LNF
 - LH seat 1 HJT100831LNF

Seat Belts

Note that seat belt short ends, which include pre-tensioners and are part of the SRS (airbag) system, cannot be shipped by mail order and may only be collected from the counter. Storage and fitment is potentially seriously hazardous and must be carried out by trained personnel using correct equipment.

Please also see below for our aftermarket range of non pre-tensioner type seat belt kits For guidance on component replacement in the SRS system, please see the 'Electrical - Battery, Security, Airbags' section.

- 20 SEAT BELT ASSEMBLY, long end, with inertia reel
 - MGF
 - to VIN AD017475 2 EVB102671LNF
 - VIN AD017476 to YD513864 2 EVB103710LNF
 - VIN YD513865 on 2 EVB000660IAF
 - MG TF 2 EVB000660IAF
- 21 SEAT BELT ASSEMBLY, short end, with stalk & pre-tensioner
 - MGF, MG TF to VIN 4D620548
 - RH
 - not Japan or Australia 1 EVB104640LNF
 - Japan/Australia 1 EVB102720LNF
 - Japan/Aus. alternative 1 EVB104630LNF
 - LH 1 EVB104650LNF
 - MG TF VIN 4D620549 on
 - RH
 - not Japan or Australia 1 EVB104641LNF
 - Japan and Australia 1 EVB104631LNF
 - LH 1 EVB104651LNF

- 22 SEAT BELT KIT, replacement, all models, per seat:
 - Includes inertia reel belt and non pre-tensioner type short end. Recommended to replace in pairs.
 - without electrical connections
 - Black 2 RB7355-15BLACK
 - Beige 2 RB7355-15BEIGE
 - Red 2 RB7355-15RED
 - Grey 2 RB7355-15GREY
 - Blue 2 RB7355-15BLUE
 - with electrical connections
 - Black 2 RB7355-15WBLACK
 - Beige 2 RB7355-15WBEIGE
 - Red 2 RB7355-15WRED
 - Grey 2 RB7355-15WGREY
 - Blue 2 RB7355-15WBLUE



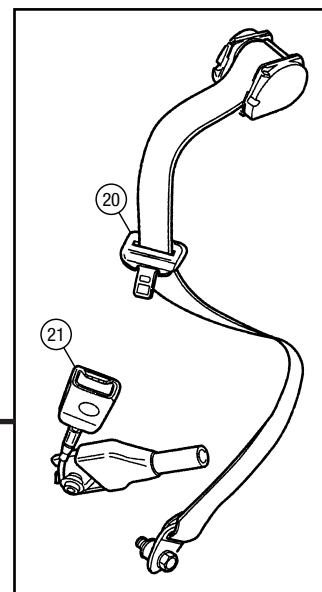
INTERIOR - SEATS & SEAT BELTS

MGF HEAD RESTRAINT - HAH000200WRA



MGF to VIN XD511058 'MK1' SEAT

REPLACEMENT TRIM COLOURS (as accurate as printing will allow).



MG TF HEAD RESTRAINT - HAH000410SUQ



MGF VIN XD511059 on, MG TF 'MK2' SEAT



SEAT BELT ASSEMBLY, SHORT END - EVB104651LNF



SEAT BELT ASSEMBLY, LONG END - EVB103710LNF

ORDER

BY PHONE: 01522 568000 / ON LINE: www.rimmerbros.co.uk / E-MAIL: mgrover@rimmerbros.co.uk



Door Trim

First, The History.

In common with most other modern cars, the MGF and MG TF were fitted with a seemingly bewildering range of trim materials and colour schemes during their production history. Looking at door trim panels alone, around 250 different types were used - that's around 500 different panels when you count in the RH and LH versions!

To clarify the matter as much as possible, all of the door trim styles can be summarised, in chronological order, as follows. The materials specified are those used on the centre inserts, commonly referred to as the door 'pods'; this is the easiest way to identify the styles.

MGF to VIN XD511058 (1995 to 1999)

Often referred to as 'Mk 1' trim, with rectangular interior door handles.

1. Fusion fabric pods.
2. leather pods (F Heritage option).
3. leather pods (factory fitted option).

MGF from VIN XD511059 (2000 to 2001)

Often referred to as 'Mk 2' trim, with oval interior door handles.

1. Mirage fabric pods (with alloy, wood, black or carbon inserts)
2. Mirage fabric pods (plain, 1600 models only)
3. leather pods (with alloy, wood or carbon inserts)
4. leather pods (Oxford Leather option, with alloy, wood or carbon)
5. Silverstone fabric pods (Trophy only)
6. leather pods (Trophy only)

MG TF to VIN 5D639630 (2002 to 2005)

As per and often referred to as 'Mk 2' trim.

1. Sebring fabric pods (with Technical Black, burr walnut or carbon)
2. Sebring fabric pods (plain, 1600 models only)
3. Daytona fabric pods (with Technical Black, burr walnut or carbon)
4. Leather pods (with Technical Black, Technical Black 2, Technical Grey, burr walnut or carbon inserts)
5. Leather pods (Oxford Leather option, with Technical Black, Technical Black 2, Technical Grey, burr walnut or carbon inserts)
6. Alcantara pods (with Technical Black, burr walnut, carbon or satin aluminium inserts)

Throw in RH, LH, plus all the fabric, leather and Alcantara colours and it's easy to see where the list of 500 door panels comes from...

Now, The Reality:

When They're Gone, They're Gone.

Following the demise of MG Rover in 2005, the MGF/MG TF door trim panel tools fell into Chinese ownership and were eventually irrevocably modified, ending their use on further production of spare parts and creating a bit of a problem for modern MG-servicing specialists like Rimmer Bros.

In older classic MGs, Triumphs etc., the more simple design of the door boards and the numbers of cars requiring new ones made reintroduction a viable commercial project. However the complexity of the MGF and MG TF door panels, the expense of making new tooling and the relatively low demand for door panels means that restarting production doesn't stack up - not today, and maybe not in the future either. Reconditioning old door panels with new material 'skins' would be similarly difficult because of the tools required to make the material follow the contours of the panel.

After all that gloom, there is however some very good news. XPart, the MG Rover parts organisation, still owns a very large quantity of door panels in many styles. Our desire to serve our customers as fully as possible and our fears that most of these door panels would be scrapped off at some point has led Rimmer Bros. into an agreement with XPart to warehouse and market the remaining stocks - a huge commitment, given the space required to store the stock safely, in a dry environment, ensuring against damage.

The following list is laid out in the order of the aforementioned door panel styles, to make it as clear to understand as possible. It contains only the door panels available at time of writing (in some instances you will see that only one hand is still available) and to use the well hackneyed phrase, 'WHEN THEY'RE GONE, THEY'RE GONE'. Most if not all are now sold at clearance bargain prices.

If your door panel style is not listed here, it is already unavailable. At this point, you will have three choices:

1. Choose another door panel style, opting for a close match to the desired material and colour scheme and maybe reusing parts from old door panels to get the match closer if possible (note that pre-2000 and post-2000 door panels are not interchangeable).
2. Go on a hunt for good secondhand door panels. Good luck.
3. Refresh your current door panels by fitting our new leather pods and/or door pockets, specially produced in colours to complement either your existing interior trim or our range of trim items and packages.

MGF Door Trim Panels

MGF to VIN XD511058 (to 1999), with Fusion Fabric Pods

- 1 DOOR TRIM PANEL:
Ash trim panel/Red pod
RH only 1 EJB115220RCV

MGF to VIN XD511058 (to 1999), with Leather Pods

- 1 DOOR TRIM PANEL:
Black Ash panel & pod
LH only 1 EJB119390PMV
Grenadine Red panel & pod
RH only 1 EJB123380WKM

MGF VIN XD511059 on (2000 on), with Mirage Fabric Pods

- 1 DOOR TRIM PANEL:
with plain Black insert
1600 models.
Ash Grey panel & pod
LH only 1 EJB000970WEW
Walnut panel & pod
RH 1 EJB000960WRW
LH 1 EJB000970WRW
with plain Walnut insert
1600 models.
Ash Grey panel & pod
LH only 1 EJB000970WRV
Walnut panel & pod
RH 1 EJB000960SAV
LH 1 EJB000970SAV

- with alloy insert
1800 models, not Trophy.
Ash Grey panel/Black pod
LH only 1 EJB121290WCL
Ash Grey panel/Walnut pod
RH 1 EJB121280WML
LH 1 EJB121290WML
Walnut panel/Black pod
RH only 1 EJB121280WMP
Walnut panel & pod
RH 1 EJB121280WCM
LH 1 EJB121290WCM

- with wood insert
1800 models, not Trophy.
Ash Grey panel/Black pod
RH only 1 EJB121280WLU
Ash Grey panel/Walnut pod
LH only 1 EJB121290WMM
Walnut panel/Black pod
RH 1 EJB121280WCP
LH 1 EJB121290WCP

- Walnut panel & pod
RH 1 EJB121280WDE
LH 1 EJB121290WDE
with carbon fibre insert
1800 models, not Trophy.
Ash Grey panel/Black pod
RH 1 EJB121280WCN
LH 1 EJB121290WCN
Ash Grey panel/Walnut pod
RH 1 EJB121280WMN
LH 1 EJB121290WMN
Walnut panel/Black pod
RH 1 EJB121280WMQ
LH 1 EJB121290WMQ

- Walnut panel & pod
RH 1 EJB121280WMO
LH 1 EJB121290WMO



MGF VIN XD511059 on (2000 on), with Leather Pods

- 1 DOOR TRIM PANEL:
with alloy insert
Models with full leather trim option.
Walnut panel/Black pod
LH only 1 EJB121310WMP
Walnut panel/Cream pod
LH only 1 EJB121310WMT
with wood insert
Models with full leather trim option.
Ash Grey panel/Black pod
RH only 1 EJB121300WLU
Ash Grey panel/Cream pod
RH only 1 EJB121300WCU
Walnut panel/Black pod
RH 1 EJB121300WCP
LH 1 EJB121310WCP
Walnut panel/Green pod
RH 1 EJB121300WMY
LH 1 EJB121310WMY
Walnut panel/Cream pod
RH only 1 EJB121300WCR
with carbon fibre insert
Models with full leather trim option.
Ash Grey panel/Black pod
RH only 1 EJB121300WCN
Ash Grey panel/Green pod
RH 1 EJB121300WCT
LH 1 EJB121310WCT
Walnut panel/Black pod
RH 1 EJB121300WMQ
LH 1 EJB121310WMQ
Walnut panel/Green pod
RH only 1 EJB121300WLT
Walnut panel/Cream pod
RH 1 EJB121300WMU
LH 1 EJB121310WMU

MGF VIN XD511059 on (2000 on), with Oxford Leather Pods

- 1 DOOR TRIM PANEL:
with alloy insert
Models with Oxford Leather trim option.
Ash Grey panel/Ebony pod
RH 1 EJB123540WMZ
LH 1 EJB123550WMZ
Ash Grey panel/Alpaca pod
RH 1 EJB123540WNF
LH 1 EJB123550WNF
Walnut panel/Ebony pod
RH 1 EJB123540WNC
LH 1 EJB123550WNC
Walnut panel/Alpaca pod
RH 1 EJB123540WNJ
LH 1 EJB123550WNJ
with wood insert
Models with Oxford Leather trim option.
Ash Grey panel/Ebony pod
RH only 1 EJB123540WNB
Walnut panel/Ebony pod
RH only 1 EJB123540WNE
with carbon fibre insert
Models with Oxford Leather trim option.
Ash Grey panel/Ebony pod
RH 1 EJB123540WNA
LH 1 EJB123550WNA
Ash Grey panel/Alpaca pod
RH only 1 EJB123540WNG
Walnut panel/Ebony pod
LH only 1 EJB123550WND
Walnut panel/Alpaca pod
RH 1 EJB123540WNK
LH 1 EJB123550WNK

MGF Trophy, with Silverstone Fabric Pods

- 1 DOOR TRIM PANEL:
Trophy Yellow pod, RH only 1 EJB000980WAO

MGF Trophy, with Leather Pods

All MGF Trophy leather door panels are now unavailable.



MGF DOOR TRIM PANEL, LEATHER POD (TO 1999) - EJB119390PMV



MGF TROPHY DOOR TRIM PANEL, SILVERSTONE FABRIC PAD - EJB000980WAO



MGF DOOR TRIM PANEL, MIRAGE FABRIC POD (2000 ON) - EJB000970SAV



MGF DOOR TRIM PANEL, OXFORD LEATHER POD (2000 ON) - EJB123540WNA



MGF DOOR TRIM PANEL, LEATHER POD (2000 ON) - EJB121300WCU



MGF DOOR TRIM PANEL, OXFORD LEATHER POD (2000 ON) - EJB123540WNE

TRIM FABRIC

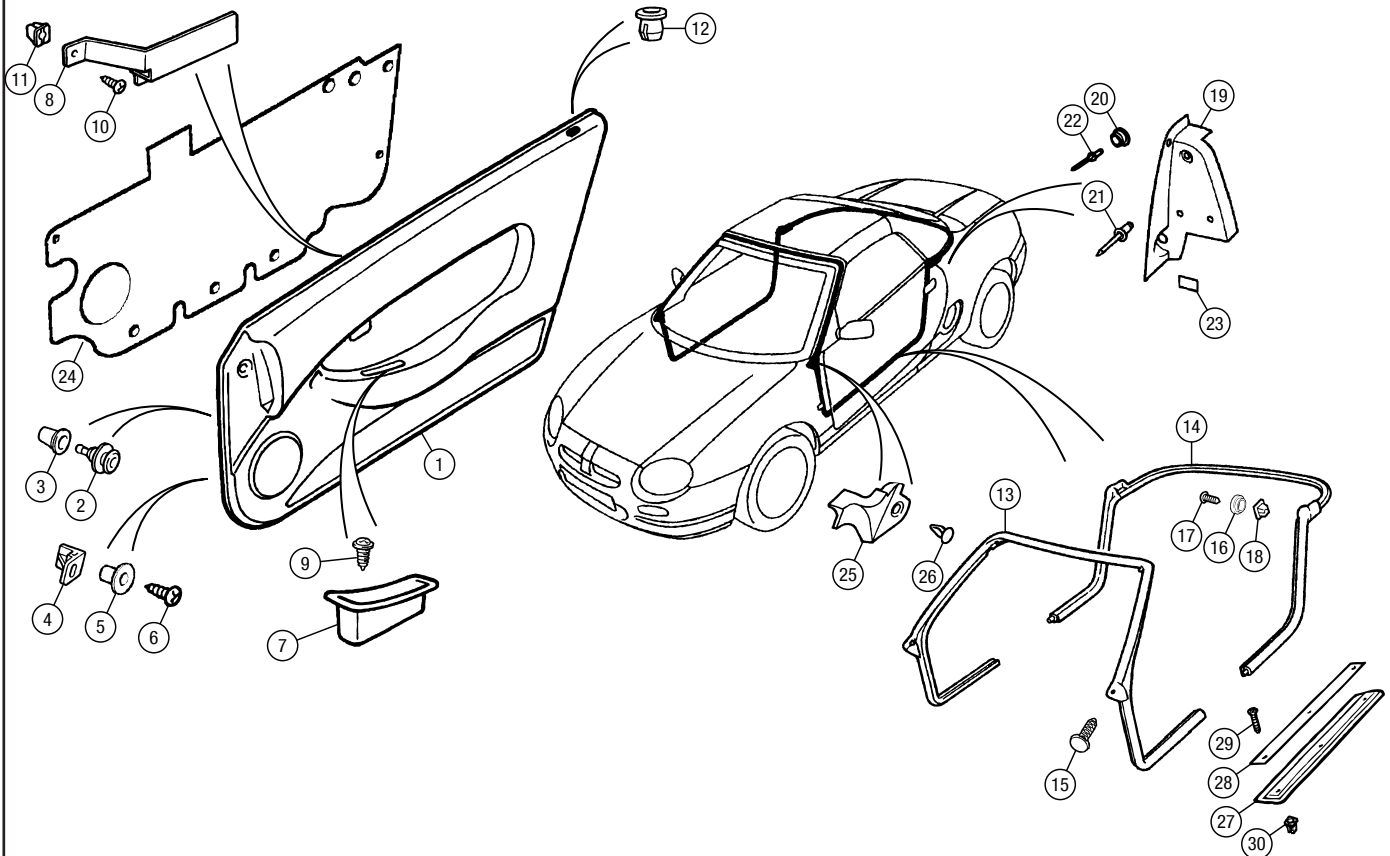
FUSION FABRIC, MGF TO VIN XD511058 (1995-1999)

MIRAGE FABRIC, MGF VIN XD511059 ON (2000-2001)

SILVERSTONE FABRIC, MGF TROPHY (2000-2001)

SEBRING FABRIC, MG TF (2002-2005)

DAYTONA FABRIC, MG TF (2002-2005)





No. DESCRIPTION QTY REQ. PART No.

MG TF Door Trim Panels

Please also refer to introduction on page 105.

MG TF, with Sebring Fabric Pods

1 DOOR TRIM PANEL:	
without insert (1600 models)	
Light Smokestone panel/Black pod	
RH	1 EJB003540QAB
LH	1 EJB003550QAB
Tan panel/Light Tan pod	
RH only	1 EJB003540QAC
with Technical Black insert (1800 models)	
Ash Grey panel/Black pod	
RH	1 EJB003600QAD
LH	1 EJB003610QAD
Light Smokestone panel/Black pod	
RH only	1 EJB003600QAE
Tan panel/Light Tan pod	
RH	1 EJB003600QAF
LH	1 EJB003610QAF
Grenadine Red panel & pod	
RH only	1 EJB003600QAG
with burr walnut insert (1800 models)	
Ash Grey panel/Black pod	
to VIN 3D615839	
RH only	1 EJB003660QBM
VIN 3D615840 on	
RH	1 EJB005180QBM
LH	1 EJB005190QBM
Tan panel/Light Tan pod	
VIN 3D615840 on	
RH only	1 EJB005180QBQ
with carbon fibre insert (1800 models)	
Ash Grey panel/Black pod	
to VIN 2D609537	
RH	1 EJB002040QBN
LH	1 EJB003670QBN
VIN 2D609538 to 3D615839	
RH	1 EJB003660QBN
LH	1 EJB003670QBN
VIN 3D615840 on	
RH	1 EJB005180QBN
LH	1 EJB005190QBN
Grenadine Red panel & pod	
to VIN 3D615839	
LH only	1 EJB003670QBT

MG TF, with Daytona Fabric Pods

1 DOOR TRIM PANEL:	
with Technical Black insert (1800 models)	
Ash Grey panel/Black pod	
RH	1 EJB003560QAH
LH	1 EJB003570QAH
Tan panel/Light Tan pod	
RH only	1 EJB003560QAK
Grenadine Red panel & pod	
LH only	1 EJB003570QAL
with Technical Grey insert	
1800 models from VIN 5D639631 on.	
Ash Grey panel/Black pod	
RH	1 EJB003560QFE
LH	1 EJB003570QFE
with burr walnut insert (1800 models)	
Ash Grey panel/Black pod	
to VIN 3D615839	
RH	1 EJB003680QBU
LH	1 EJB003690QBU
VIN 3D615840 on	
RH only	1 EJB005200QBU
Tan panel/Light Tan pod	
to VIN 3D615839	
RH only	1 EJB003680QBY
VIN 3D615840 on	
RH only	1 EJB005200QBY
with carbon fibre insert (1800 models)	
Ash Grey panel/Black pod	
to VIN 3D615839	
RH	1 EJB003680QBV
LH	1 EJB003690QBV
VIN 3D615840 on	
RH	1 EJB005200QBV
LH	1 EJB005210QBV

No. DESCRIPTION QTY REQ. PART No.

MG TF, with Leather Pods

1 DOOR TRIM PANEL:	
with Technical Black insert	
Models with full leather trim option.	
Ash Grey panel/Black pod	
RH	1 EJB003580QAM
LH	1 EJB003590QAM
Ash Grey panel/Blue pod	
RH	1 EJB003580QAS
LH	1 EJB003590QAS
Ash Grey panel/Alpaca pod	
RH	1 EJB003580QAQ
LH	1 EJB003590QAQ
Light Smokestone panel/Black pod	
RH only	1 EJB003580QAP
Tan panel/Black pod	
RH only	1 EJB003580QAN
Tan panel/Alpaca pod	
RH	1 EJB003580QAR
LH	1 EJB003590QAR
Tan panel/Blue pod	
RH only	1 EJB003580QAT
with Technical Black 2 insert	
Models with full leather trim option from VIN 5D639631 on.	
Light Smokestone panel/Black pod	
RH	1 EJB003580QFQ
LH	1 EJB003590QFQ
Tan panel/Ebony pod	
RH	1 EJB003580QFN
LH	1 EJB003590QFN
with Technical Grey insert	
Models with full leather trim option from VIN 5D639631 on.	
Ash Grey panel/Black pod	
RH	1 EJB003580QFM
LH	1 EJB003590QFM
LH alternative	1 EJB003590QFJ
Ash Grey panel/Blue pod	
RH only	1 EJB003580QFL
Ash Grey panel/Alpaca pod	
RH	1 EJB003580QFK
LH	1 EJB003590QFK
with burr walnut insert	
Models with full leather trim option.	
Ash Grey panel/Black pod	
VIN 3D615840 on	
RH	1 EJB005220WLU
LH	1 EJB005230WLU
Ash Grey panel/Blue pod	
to VIN 3D615839	
RH	1 EJB003700QCN
LH	1 EJB003710QCN
Ash Grey panel/Alpaca pod	
to VIN 3D615839	
RH only	1 EJB003700QCJ
VIN 3D615840 on	
RH only	1 EJB005220QCJ
Light Smokestone panel/Black pod	
to VIN 3D615839	
LH only	1 EJB003710QCG
Tan panel/Black pod	
VIN 3D615840 on	
RH	1 EJB005220QCC
LH	1 EJB005230QCC
Tan panel/Alpaca pod	
to VIN 3D615839	
LH only	1 EJB003710QCL
VIN 3D615840 on	
RH	1 EJB005220QCL
LH	1 EJB005230QCL
with carbon fibre insert	
Models with full leather trim option.	
Ash Grey panel/Black pod	
to VIN 3D615839	
RH	1 EJB002080WCN
LH	1 EJB003710WCN
VIN 3D615840 on	
RH	1 EJB005220WCN
LH	1 EJB005230WCN
Ash Grey panel/Blue pod	
to VIN 3D615839	
RH only	1 EJB003700QCP
Light Smokestone panel/Blue pod	
to VIN 3D615839	
RH only	1 EJB003700QCT
Grenadine Red panel/Black pod	
to VIN 3D615839	
RH only	1 EJB003700QCF
VIN 3D615840 on	
LH only	1 EJB005230QCF

No. DESCRIPTION QTY REQ. PART No.

MG TF, with Oxford Leather Pods

1 DOOR TRIM PANEL:	
with Technical Black insert	
Models with Oxford leather trim option.	
Ash Grey panel/Champagne pod	
LH only	1 EJB001950QBE
LH alternative	1 EJB003650QBE
Light Smokestone panel/Ebony pod	
RH only	1 EJB003640QBL
Tan panel/Ebony pod	
RH only	1 EJB003640QBJ
Tan panel/Champagne pod	
RH only	1 EJB003640QBF
with Technical Black 2 insert	
Models with Oxford leather trim option from VIN 5D639631 on.	
Light Smokestone panel/Ebony pod	
LH only	1 EJB003650QGK
with Technical Grey insert	
Models with Oxford leather trim option from VIN 5D639631 on.	
Ash Grey panel/Ebony pod	
RH	1 EJB003640QGC
LH	1 EJB003650QGC
Ash Grey panel/Champagne pod	
LH only	1 EJB003650QGD
with burr walnut insert	
Models with Oxford leather trim option.	
Ash Grey panel/Ebony pod	
VIN 3D615840 on	
LH only	1 EJB005270WNB
Ash Grey panel/Champagne pod	
VIN 3D615840 on	
RH only	1 EJB005260QDN
with carbon fibre insert	
Models with Oxford leather trim option.	
Ash Grey panel/Ebony pod	
to VIN 3D615839	
LH only	1 EJB003750WNA
Ash Grey panel/Champagne pod	
to VIN 3D615839	
RH only	1 EJB003740QDO
Tan panel/Champagne pod	
to VIN 3D615839	
RH	1 EJB003740QDQ
LH	1 EJB003750QDQ



MG TF DOOR TRIM PANEL, WITH SEBRING FABRIC POD - EJB003540QAB



MG TF DOOR TRIM PANEL, WITH DAYTONA FABRIC POD - EJB003560QAH



MG TF DOOR TRIM PANEL, WITH LEATHER POD - EJB003580QAR



MG TF DOOR TRIM PANEL, WITH ALCANTARA POD - EJB003620QAZ



MG TF, with Alcantara Pods

1 DOOR TRIM PANEL:

with Technical Black insert 1800 models.			
Ash Grey panel/Black pod			
RH	1	EJB003620QAZ	
Ash Grey panel/Gunsmoke pod			
RH	1	EJB003620QAV	
LH	1	EJB003630QAV	
Ash Grey panel/Blue pod			
RH only	1	EJB003620QEA	
Tan panel/Black pod			
RH	1	EJB003620QBA	
LH	1	EJB003630QBA	
Tan panel/Gunsmoke pod			
RH	1	EJB003620QAW	
Grenadine Red panel/Gunsmoke pod			
RH	1	EJB003620QAX	
Grenadine Red panel & pod			
RH	1	EJB003620QBC	
LH	1	EJB003630QBC	
with Technical Black 2 insert 1800 models from VIN 5D639631 on.			
Light Smokestone panel/Gunsmoke pod			
RH	1	EJB003620QGA	
LH	1	EJB003630QGA	
Light Smokestone panel/Gunsmoke Alcantara pod			
RH	1	EJB003620QAY	
LH	1	EJB003630QAY	
Light Smokestone panel/Blue pod			
RH	1	EJB003620QGM	
LH	1	EJB003630QGM	
Light Smokestone panel/Grenadine Red pod			
RH	1	EJB003620QGB	
LH	1	EJB003630QGB	
Tan panel/Black pod			
RH	1	EJB003620QFW	
LH	1	EJB003630QFW	
Tan panel/Gunsmoke pod			
RH	1	EJB003620QFX	
LH	1	EJB003630QFX	
Tan panel/Blue pod			
RH	1	EJB003620QGL	
LH	1	EJB003630QGL	
Tan panel/Green pod			
RH	1	EJB003620QGO	
LH	1	EJB003630QGO	

CONTINUED

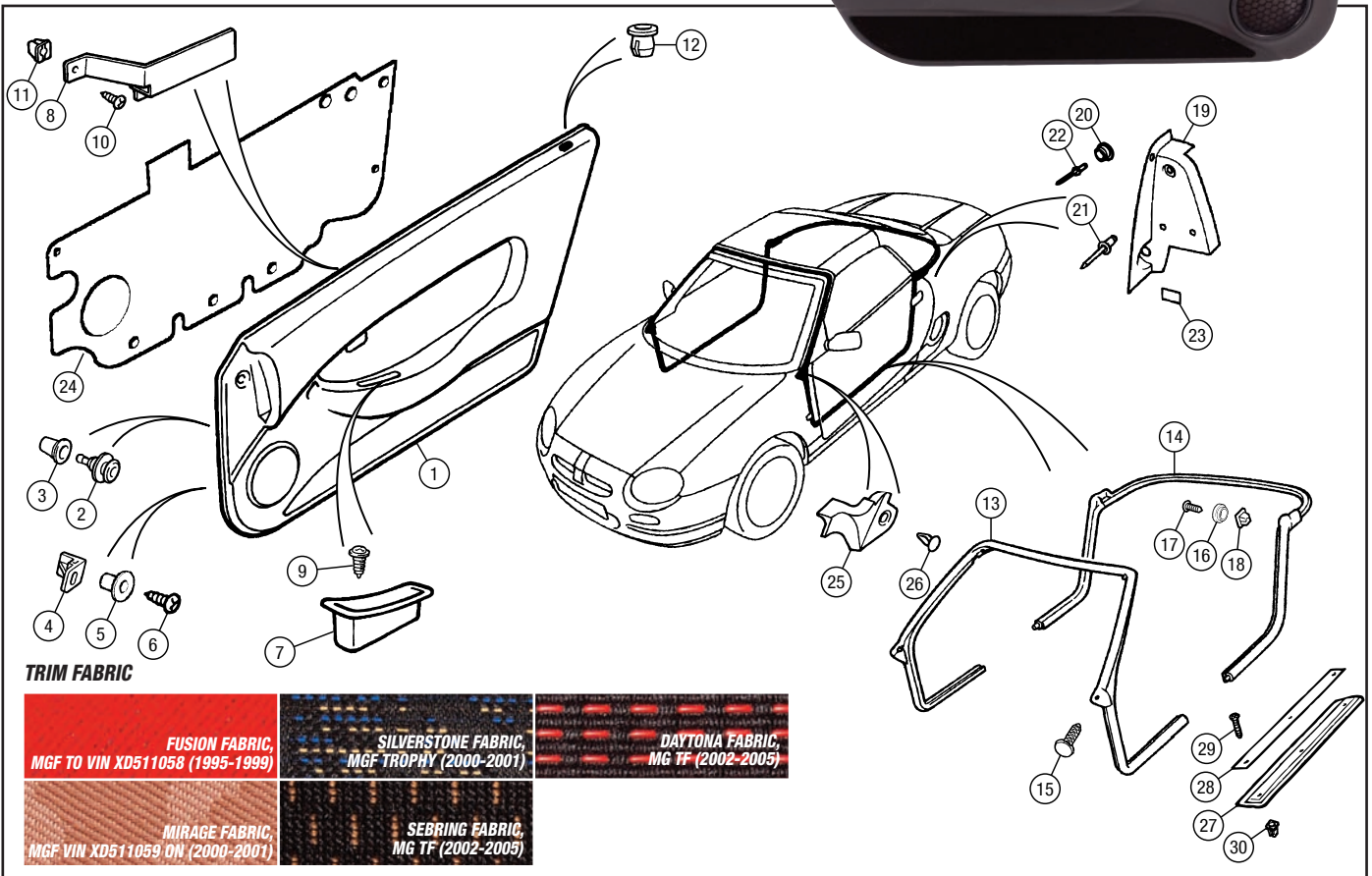
with Technical Grey insert 1800 models from VIN 5D639631 on.			
Ash Grey panel/Gunsmoke pod			
RH	1	EJB003620QFT	
LH	1	EJB003630QFT	
Ash Grey panel/Grenadine Red pod			
RH	1	EJB003620QFU	
LH	1	EJB003630QFU	
with satin aluminium insert 1800 models from VIN 5D639631 on.			
Ash Grey panel/Gunsmoke pod			
RH	1	EJB003620QEC	
LH	1	EJB003630QEC	
Ash Grey panel/Grenadine Red pod			
LH only	1	EJB003630QEB	
Ash Grey panel/Alcantara Blue pod			
LH only	1	EJB003630QED	
with burr walnut insert 1800 models.			
Ash Grey panel/Gunsmoke pod			
VIN 3D615840 on			
RH only	1	EJB005240QCU	
Light Smokestone panel/Gunsmoke pod			
to VIN 3D615839			
LH only	1	EJB003730QDA	
Light Smokestone panel/Grenadine Red pod			
to VIN 3D615839			
LH only	1	EJB003730QDL	
VIN 3D615840 on			
LH only	1	EJB005250QDL	
Tan panel/Black pod			
VIN 3D615840 on			
RH	1	EJB005240QDE	
LH	1	EJB005250QDE	
Grenadine Red panel & pod			
to VIN 3D615839			
RH	1	EJB003720QDJ	
LH	1	EJB003730QDJ	

CONTINUED...

with carbon fibre insert 1800 models.			
Ash Grey panel/Black pod			
to VIN 3D615839			
RH only	1	EJB003720QDD	
VIN 3D615840 on			
RH only	1	EJB005240QDD	
Ash Grey panel/Gunsmoke pod			
to VIN 3D615839			
RH	1	EJB003720QCV	
LH	1	EJB003730QCV	
VIN 3D615840 on			
RH only	1	EJB005240QCV	
Ash Grey panel/Grenadine Red pod			
to VIN 3D615839			
LH only	1	EJB003730QDH	
Light Smokestone panel/Gunsmoke pod			
to VIN 3D615839			
LH only	1	EJB003730QDB	
VIN 3D615840 on			
LH only	1	EJB005250QDB	
Light Smokestone panel/Grenadine Red pod			
to VIN 3D615839			
LH only	1	EJB003730QDM	
Tan panel/Black pod			
to VIN 3D615839			
RH only	1	EJB003720QDF	
VIN 3D615840 on			
RH only	1	EJB005240QDF	
Grenadine Red panel/Gunsmoke pod			
to VIN 3D615839			
LH only	1	EJB003730QDC	
Grenadine Red panel & pod			
to VIN 3D615839			
LH only	1	EJB003730QDK	
VIN 3D615840 on			
RH only	1	EJB005240QDK	



MG TF DOOR TRIM PANEL,
WITH OXFORD LEATHER POD -
EJB001950QBE



TRIM FABRIC



ORDER

BY PHONE: 01522 568000 / ON LINE: www.rimmerbros.co.uk / E-MAIL: mgrover@rimmerbros.co.uk



No.	DESCRIPTION	QTY REQ.	PART No.	No.	DESCRIPTION	QTY REQ.	PART No.	No.	DESCRIPTION	QTY REQ.	PART No.
-----	-------------	----------	----------	-----	-------------	----------	----------	-----	-------------	----------	----------



DOOR PODS - RP1151BLACK



DOOR PODS - RP1191 RED

Door Pods

1 LEATHER DOOR PODS, replacement, pair:
 See photo. Replace the cloth pods on your door panels (or refresh the leather pods) with our soft padded real leather items, available in colours to complement either your existing interior trim or our range of trim items and packages.
 Designed to be a snug fit, these pods easily replace the originals and are securely held in place by extra double-sided adhesive tape. Full fitting instructions are supplied. Note that MGF to 1999 pods are sold new outright, whereas the 2000 on/MG TF pods are exchange items.

MGF to VIN XD511058 (to 1999)
 Sold outright.

Black	1	RP1151BLACK
Grey	1	RP1151GREY
Light Stone Beige	1	RP1151BEIGE
Biscuit	1	RP1151BISCUIT
Cream	1	RP1151CREAM
British Racing Green	1	RP1151BRG
Blue	1	RP1151BLUE
Red	1	RP1151RED

MGF VIN XD511059 on (2000 on), MG TF
 Sold in exchange for your old door pods.

Black	1	RP1191BLACK
Grey	1	RP1191GREY
Light Stone Beige	1	RP1191BEIGE
Biscuit	1	RP1191BISCUIT
Cream	1	RP1191CREAM
British Racing Green	1	RP1191BRG
Blue	1	RP1191BLUE
Red	1	RP1191RED



DOOR INSERT - EJH000060MWK

DOOR INSERT - EJH000070MWK

DOOR INSERT, bright alloy finish:
 For MGF VIN XD511059 on, MG TF. Replace fabric, wood or black plastic inserts with these bright alloy items designed to match other interior alloy finish items and accessories.

RH	1	EJH000060MWK
LH	1	EJH000070MWK

Door Pockets

- DOOR POCKETS, pair:
 See photo. Gain extra storage space and improve the appearance of your door panels by fitting these practical and good-looking door pockets.
 As with the door pods, they're available in colours to complement either your existing interior trim or our range of trim items and packages. Easy DIY fitment.

Black	1	RP1150BLACK
Grey	1	RP1150GREY
Light Stone Beige	1	RP1150BEIGE
Biscuit	1	RP1150BISCUIT
Cream	1	RP1150CREAM
British Racing Green	1	RP1150BRG
Blue	1	RP1150BLUE
Red	1	RP1150RED



DOOR POCKETS - RP1150 GREY

Door Trim Panel Fittings

2 CLIP, door panel to door	12	EYC10047
3 SNAP SAC, door panel clip	12	EYC10046
4 GROMMET, door panel speakers to door, square	4	EYA10007
5 GROMMET, door panel speakers to door, round	2	BNP4106
6 SCREW, speakers to door	6	DA608054L
7 DOOR PULL, Black:		
RH	1	EJE100260PMA
LH	1	EJE100270PMA
- DOOR GRIP SURROUNDS, pair:		
chrome	1	RP1638CHR
polished aluminium	1	RP1638ALU
silver anodised	1	RP1638SIL
- DOOR RELEASE SURROUNDS, pair:		
chrome	1	RP1645CHR
polished aluminium	1	RP1645ALU
silver anodised	1	RP1645SIL
8 BRACKET, door pull:		
RH	1	EJF100242
LH	1	EJF100252
9 SCREW, door pull to bracket	2	DA608054L
10 SCREW, bracket to door	4	DA608041L
11 NUT, Lokut, in door	4	DBP8146
12 ESCUTCHEON, lock button:		
original round, black, each	2	ADU3307PMA
Included in door trim panel assembly.		
octagonal, alloy, pair	1	RP11560CT
Easy to fit small accessory item that's really eye-catching.		
round, alloy, pair (accessory)		
chrome	1	RP1156CHR
polished aluminium	1	RP1156ALU
silver anodised	1	RP1156SIL
- LOCK BUTTON PIN, alloy, pair (accessory):		
chrome	1	RP1666CHR
polished aluminium	1	RP1666ALU
silver anodised	1	RP1666SIL

Door Seals & Finishers

13 SEAL, DOOR/INTERIOR, front	1	CFE000981
When fitting this seal to all MGFs and to MG TFs prior to VIN 4D620904, 2 off CFT000011 A post clips should also be used.		
14 SEAL, DOOR/INTERIOR, rear	1	CFE000110
15 CLIP, front seal to A post		
MGF, MG TF to VIN 2D602791	2	BNP4107PMA
MG TF VIN 2D602792 to 4D620903	2	CFT000010
MG TF VIN 4D620904 on	2	CFT000011
16 CLIP, rear seal to B post	2	DUM100260
MGF VIN YD516667 on, MG TF		
17 SCREW, clip to B post	2	DA610055
18 NUT, Lokut	2	DBP8146
19 B POST FINISHER:		
RH	1	DDD100500
LH	1	DDD100510
20 STUD, hood stowage cover fixing	2	HYR10002
21 RIVET, finisher to B post	4	AFU1011
22 RIVET, finisher and stud to B post:		
early alternative	2	DYQ10013
later alternative	2	DYQ000100
23 TAPE PATCH, B post	2	DZP100040
24 WATER SHEDDER, door inner:		
RH	1	EJD101450
LH	1	EJD101440
25 FINISHER, door glass weatherstrip:		
RH	1	EJU100242
LH	1	EJU100252
26 CLIP, weatherstrip finisher	2	EYC10052
27 THRESHOLD FINISHER, door, black	2	EAN100751PMA
28 TREADPLATE, door, bright finish:		
MGF to VIN WD028922	2	EAP100580MMM
Without MG logo.		
MGF VIN WD028923 on, MG TF	2	EAP100790MMM
Features MG logo.		
MG Motor MG TF	2	300000874
Features MG logo.		
Nanjing/SAIC MG TF 2009 onwards type.		
29 SCREW, treadplate to body	6	EYP10012
30 NUT, Lokut	6	DRC5582



MG MOTOR TF TREADPLATE - 300000874

MGF/TF TREADPLATE - EAP100790MMM





ALLOY OCTAGONAL LOCK BUTTON ESCUTCHEON - RP1156OCT



ALLOY ROUND LOCK BUTTON ESCUTCHEON, CHROME - RP1156CHR



ALLOY ROUND LOCK BUTTON ESCUTCHEON, ALUMINIUM - RP1156ALU



ALLOY ROUND LOCK BUTTON ESCUTCHEON, SILVER - RP1156SIL



ALLOY LOCK BUTTON PIN, CHROME - RP1666CHR

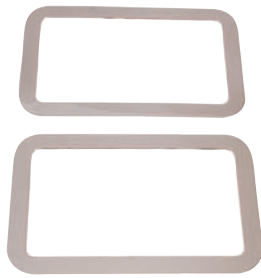


ALLOY LOCK BUTTON PIN, ALUMINIUM - RP1666ALU

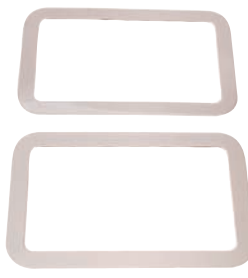


ALLOY LOCK BUTTON PIN, SILVER - RP1666SIL

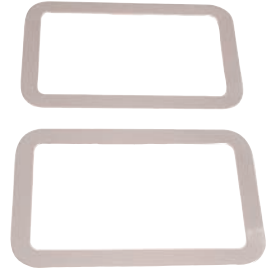
REPLACEMENT TRIM COLOURS
(as accurate as printing will allow).



DOOR RELEASE SURROUNDS, CHROME - RP1645CHR



DOOR RELEASE SURROUNDS, ALUMINIUM - RP1645ALU



DOOR RELEASE SURROUNDS, SILVER - RP1645SIL



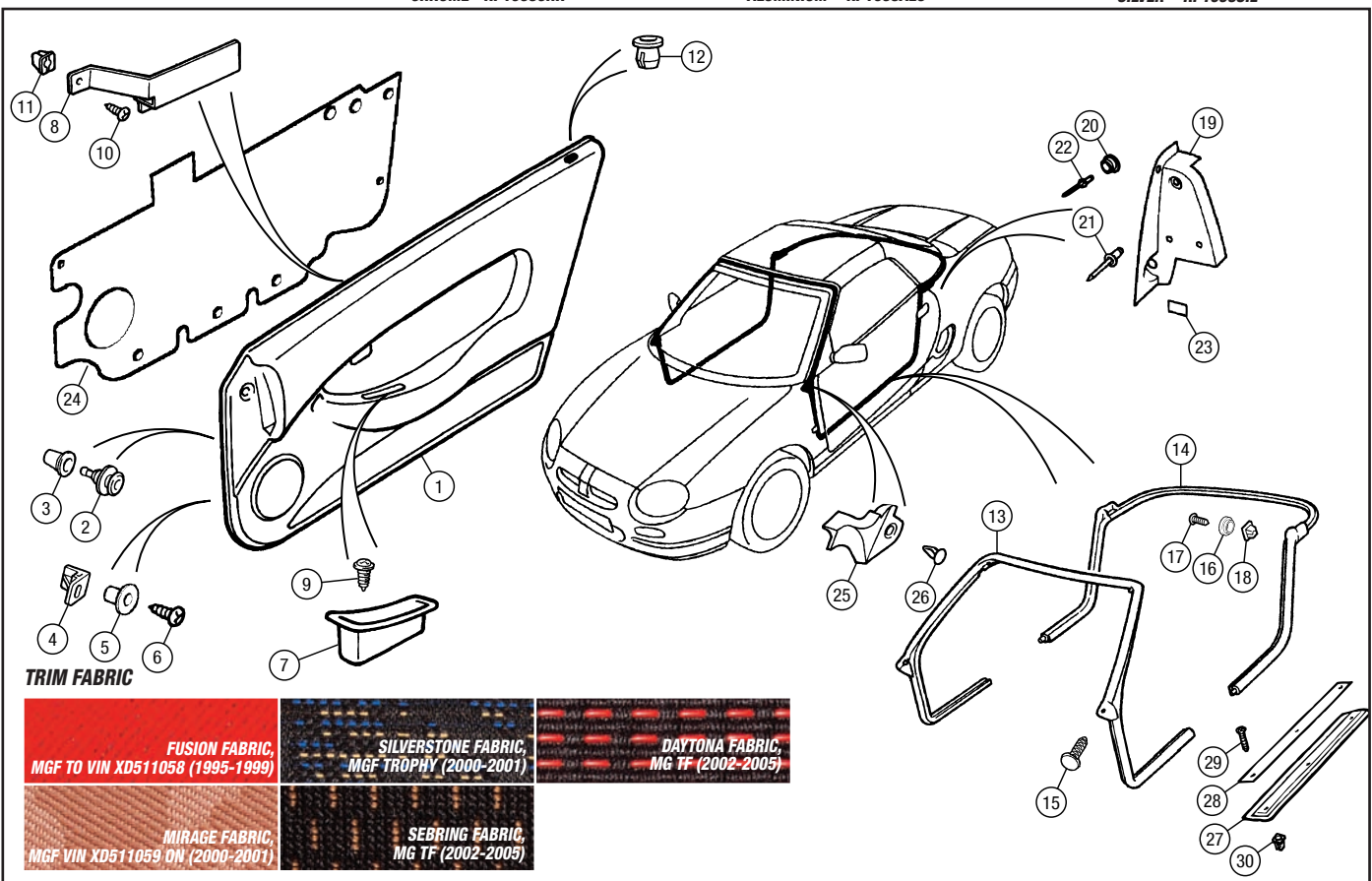
DOOR GRIP SURROUNDS, CHROME - RP1638CHR



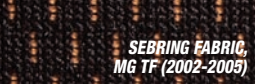
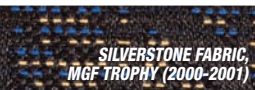
DOOR GRIP SURROUNDS, ALUMINIUM - RP1638ALU



DOOR GRIP SURROUNDS, SILVER - RP1638SIL



TRIM FABRIC





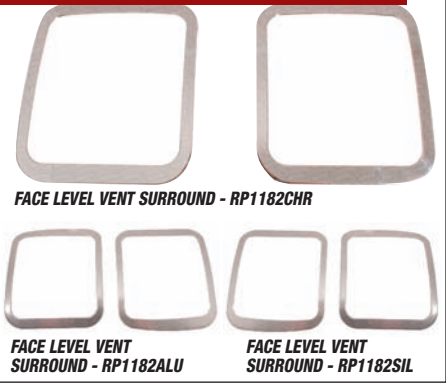
No.	DESCRIPTION	QTY REQ.	PART No.	No.	DESCRIPTION	QTY REQ.	PART No.	No.	DESCRIPTION	QTY REQ.	PART No.
-----	-------------	----------	----------	-----	-------------	----------	----------	-----	-------------	----------	----------

Fascia

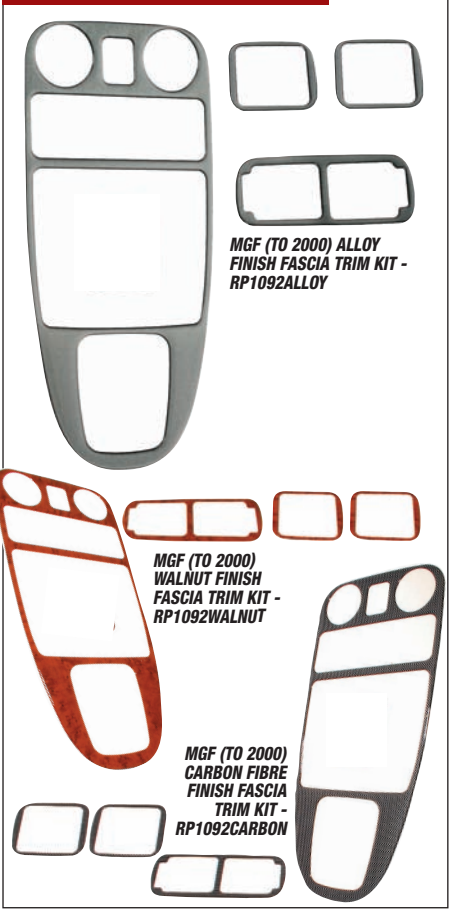
1	FASCIA MOULDING ASSEMBLY:										
	MGF										
	RHD										
	Ash Grey	1	FAB104800LNF								
	Walnut	1	FAB104800SAV								
	LHD										
	Ash Grey	1	FAB104810LNF								
	Walnut	1	FAB104810SAV								
	MG TF										
	RHD										
	Ash Grey	1	FAB104800LNF								
	Light Smokestone	1	FAB104800LPR								
	Light Tan	1	FAB104800SBA								
	Grenadine Red	1	FAB104800CVC								
	LHD										
	Ash Grey	1	FAB104810LNF								
	Light Smokestone	1	FAB104810LPR								
	Light Tan	1	FAB104810SBA								
	Grenadine Red	1	FAB104810CVC								
2	PLUG, fascia fixing holes	4	FDM100050PMA								
3	CLIP, fascia finisher location	6	FBT100180								
4	BEZEL, windscreen demister:										
	black, each	2	JCC100270PMA								
	<i>Dress up your fascia by replacing those drab black demister bezels with bright finish versions.</i>										
	polished alloy, pair	1	JCC100270ALU								
5	DUCT, windscreen demister:										
	RH	1	JKC100300								
	LH	1	JKC100310								
6	SEAL, windscreen demister duct	2	JKD100070								
7	FACE LEVEL VENT, centre:										
	Black	1	JBD100650PMA								
	Walnut	1	JBD100990ANU								
8	FACE LEVEL VENT, RH side:										
	Black	1	JBD100680PMA								
	Walnut	1	JBD101010ANU								
9	FACE LEVEL VENT, LH side:										
	Black	1	JBD100690PMA								
	Walnut	1	JBD101000ANU								
-	FACE LEVEL VENT SURROUND (see photo):										
	<i>Continue your fascia brightening exercise by fitting these bright finish vent surrounds, designed to match the demister bezels above:</i>										
	RH side & LH side, pair										
	chrome	1	RP1182CHR								
	polished alloy	1	RP1182ALU								
	silver anodised	1	RP1182SIL								
-	FASCIA TRIM KIT (see photo):										
	<i>...or alternatively, try one of our fascia trim kits, each including face level vent surrounds in a choice of alloy, carbon fibre or walnut wood finishes together with a matching centre console overlay:</i>										
	MGF to VIN XD511058 (to 1999)										
	alloy finish	1	RP1092ALLOY								
	carbon fibre finish	1	RP1092CARBON								
	walnut finish	1	RP1092WALNUT								
	MGF VIN XD511059 on (2000 on), MG TF										
	alloy finish	1	RP1093ALLOY								
	carbon fibre finish	1	RP1093CARBON								
	walnut finish	1	RP1093WALNUT								
10	SCREW, face level vent, M6	4	FS106207								
11	SPRING NUT, U type	4	ANU1286A								
12	RIVET, visible VIN plate to fascia	2	BTR8133								



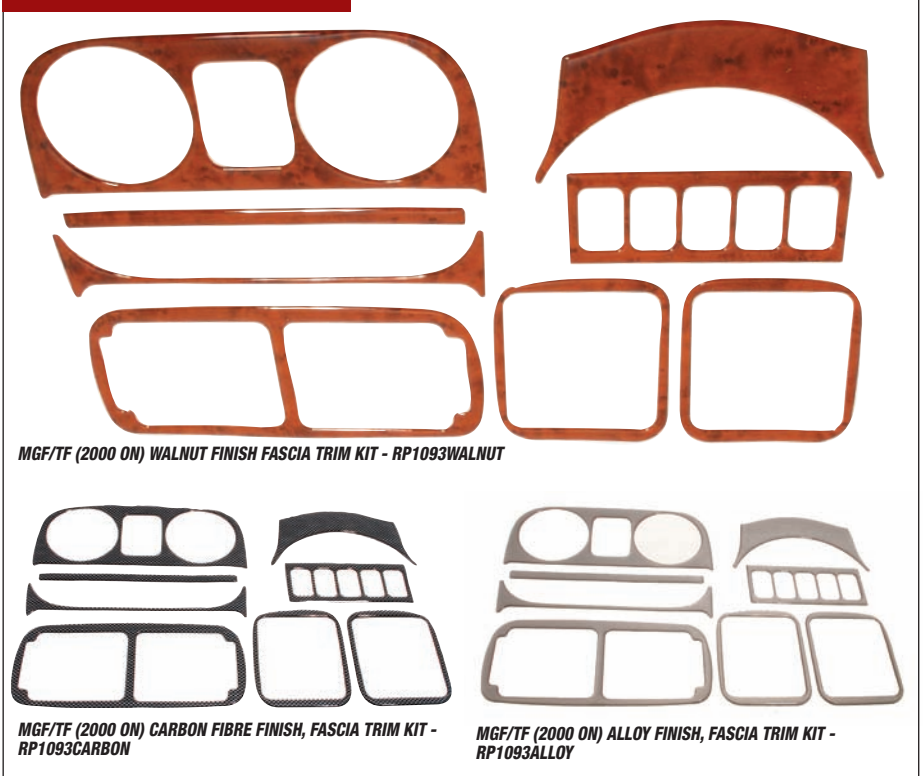
FACE LEVEL VENT SURROUND



MGF FASCIA TRIM KITS



MGF/MG TF FASCIA TRIM

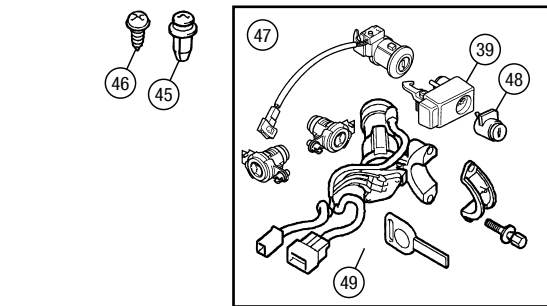
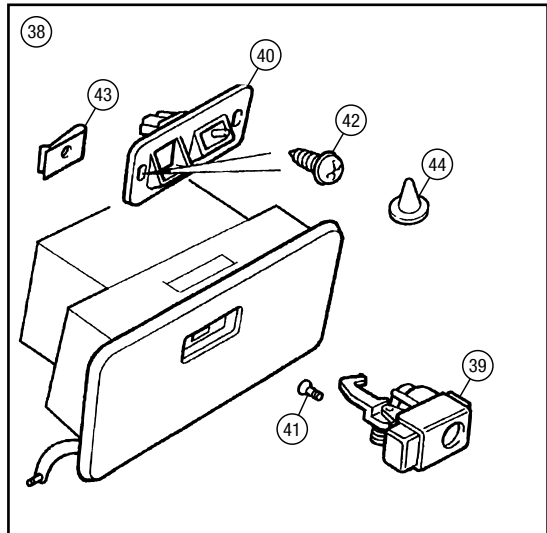
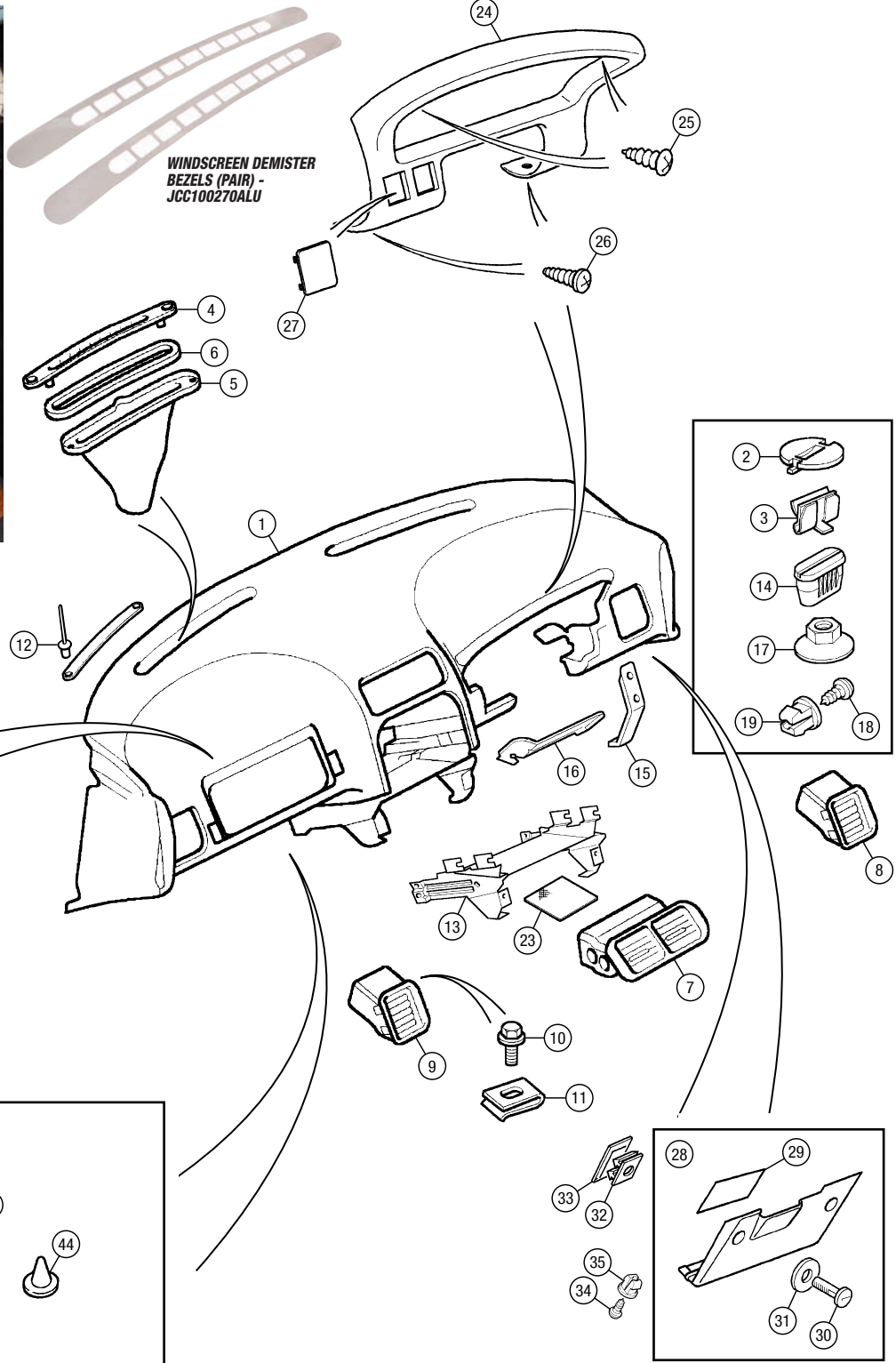


Fascia Fixings

13	BRACKET, fascia centre support	1	FGD100600
14	NUT, Lokut, oval	4	DRC5582
15	MOUNTING BRACKET, fascia:		
	RH	1	FGD100580
	LH	1	FGD100590
16	SUPPORT BRACKET, fascia:		
	RH	1	FGD100500
	LH	1	FGD100510
17	NUT & WASHER, fascia fixing	27	AFU1821L
18	SCREW, self tapping	3	DA608054L
19	NUT, lokut, round	9	AFU1154L
20	FRAME, passenger's airbag support	1	FDK100160
21	BRACKET, passenger's airbag	1	FGZ100020
22	BOLT, airbag bracket	1	FYG10007
23	ANTI-RATTLE PAD, fascia harness	2	ETK100180



INTERIOR - FASCIA & GLOVEBOX





No. DESCRIPTION QTY REQ. PART No.



Fascia Covers & Finishers

- 24 INSTRUMENT BEZEL, fascia: MGF RHD, Black 1 FAP100980PMA LHD, Black 1 FAP100990PMA MG TF RHD Black 1 FAP100980PMA Technical Black (VIN 5D639631 on) 1 FAP100980PFJ Technical Grey (VIN 5D639631 on) 1 FAP100980LFD LHD Black 1 FAP100990PMA Technical Black (VIN 5D639631 on) 1 FAP100990PFJ Technical Grey (VIN 5D639631 on) 1 FAP100990LFD 25 SCREW, instrument bezel, upper 2 AC608044 26 SCREW, instrument bezel, lower 2 DA608064 27 BLANKING PLUG, switch hole A/R JPC8984PMP 28 LID ASSEMBLY, fuse box: MGF RHD Ash Grey 1 FCM100160LNF Walnut 1 FCM100160SAV LHD Ash Grey 1 FCM100170LNF Walnut 1 FCM100170SAV MG TF RHD to VIN 4D620548 Ash Grey 1 FCM100160LNF Light Smokestone 1 FCM100160LPR Light Tan 1 FCM100160SBA Grenadine Red 1 FCM100160CVC RHD VIN 4D620549 on Ash Grey 1 FCM100161LNF Light Smokestone 1 FCM100161LPR Light Tan 1 FCM100161SBA Grenadine Red 1 FCM100161CVC LHD to VIN 4D620548 Ash Grey 1 FCM100170LNF Light Smokestone 1 FCM100170LPR Light Tan 1 FCM100170SBA Grenadine Red 1 FCM100170CVC LHD VIN 4D620549 on Ash Grey 1 FCM100171LNF Light Smokestone 1 FCM100171LPR Light Tan 1 FCM100171SBA Grenadine Red 1 FCM100171CVC 29 LABEL, fusebox: RHD 1 YQS101090 LHD 1 YQS101390 30 STUD FASTENER, fusebox cover 2 AFU4600 31 WASHER, rubber, stud fastener 2 FYF100050 32 SOCKET, stud fastener 2 JPC2617 33 WASHER, locking socket to fascia 2 JPC2619 34 SCREW, fusebox cover 2 DA608054L 35 NUT, Lokut, fusebox cover 2 OYH003428EVA 36 BLANKING PAD, passenger airbag hole in fascia: Vehicles without passenger's airbag. MGF Ash Grey 1 FAE101230LNF Walnut 1 FAE101230SAV MG TF Ash Grey 1 FAE101230LNF Light Smokestone 1 FAE101230LPR Light Tan 1 FAE101230SBA Grenadine Red 1 FAE101230CVC 37 CLIP, blanking pad 2 FYC100480

No. DESCRIPTION QTY REQ. PART No.



Glovebox

- 38 GLOVEBOX ASSEMBLY: Includes latch (less lock) and striker. MGF RHD without air conditioning Ash Grey 1 FFB100700LNF Walnut 1 FFB100700SAV RHD with air conditioning Ash Grey 1 FFB000480LNF Walnut 1 FFB100720SAV LHD Ash Grey 1 FFB000430LNF Walnut 1 FFB100730SAV MG TF RHD to VIN 4D634668 without air conditioning Ash Grey 1 FFB100700LNF Light Smokestone 1 FFB000420LPR Light Tan 1 FFB000420SBA Grenadine Red 1 FFB000420CVC with air conditioning Ash Grey 1 FFB000480LNF Light Smokestone 1 FFB000480LPR Light Tan 1 FFB000480SBA Grenadine Red 1 FFB000480CVC RHD VIN 4D634669 on without air conditioning Ash Grey 1 FFB000420LNF Light Smokestone 1 FFB000420LPR Light Tan 1 FFB000420SBA Grenadine Red 1 FFB000420CVC with air conditioning Ash Grey 1 FFB000480LNF Light Smokestone 1 FFB000480LPR Light Tan 1 FFB000480SBA Grenadine Red 1 FFB000480CVC LHD to VIN 4D634668 Ash Grey 1 FFB000430LNF Light Smokestone 1 FFB000430LPR Light Tan 1 FFB000430SBA Grenadine Red 1 FFB100730CVC LHD VIN 4D634669 on Ash Grey 1 FFB000430LNF Light Smokestone 1 FFB000430LPR Light Tan 1 FFB000430SBA Grenadine Red 1 FFB000430CVC

No. DESCRIPTION QTY REQ. PART No.

- 39 LATCH, glovebox 1 FNC100050 40 STRIKER, glovebox 1 FND100080PMA 41 SCREW, latch to glovebox 1 SF104084 42 SCREW, striker to fascia 2 DA608054L 43 SPRING NUT, U type 2 AK608061 44 BUFFER, glovebox 2 AFP1072 45 CLIP, glovebox to fascia 2 EAP4830A 46 SCREW, glovebox to fascia 2 DA610055 47 CAR LOCK SET: Includes ignition switch/steering lock, door locks, boot lid lock and glovebox lock, plus two keys. MGF RHD, with remote locking 1 CWB105060MMM LHD, with remote locking 1 CWB105070MMM MG TF RHD, with key locking only 1 CWB001230MMM RHD, with remote locking 1 CWB001220MMM LHD, with remote locking 1 CWB001240MMM 48 LOCK ASSEMBLY, glovebox: Includes two keys. with non-specific key number 1 FNB10013G with specific key number 1 FNB10026H 49 KEY BLANK, locks 1 CWE100580 - COMPACT DISC STORAGE KIT 1 YUB105600 Fits into the glovebox of non air conditioned vehicles, providing storage for 6 CDs. May also be mounted next to the CD autochanger in the loadspace.



MGF GLOVEBOX ASSEMBLY - FFB100730SAV



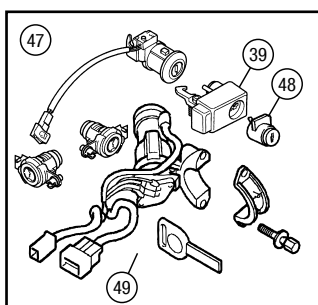
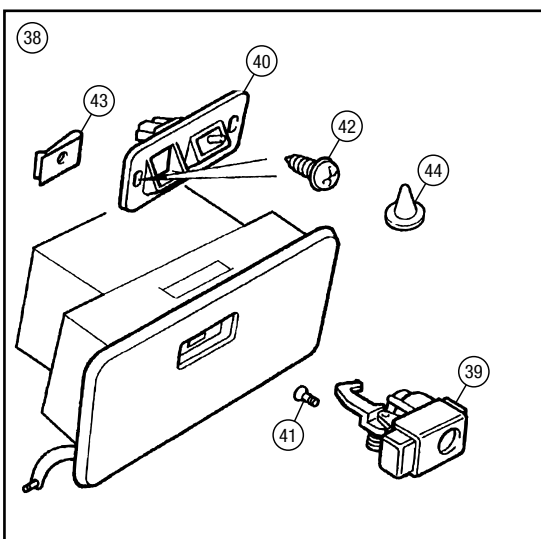
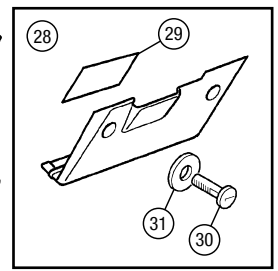
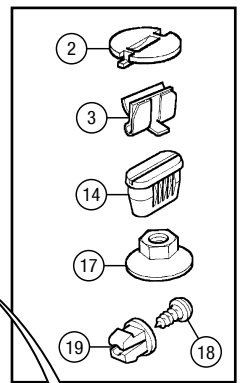
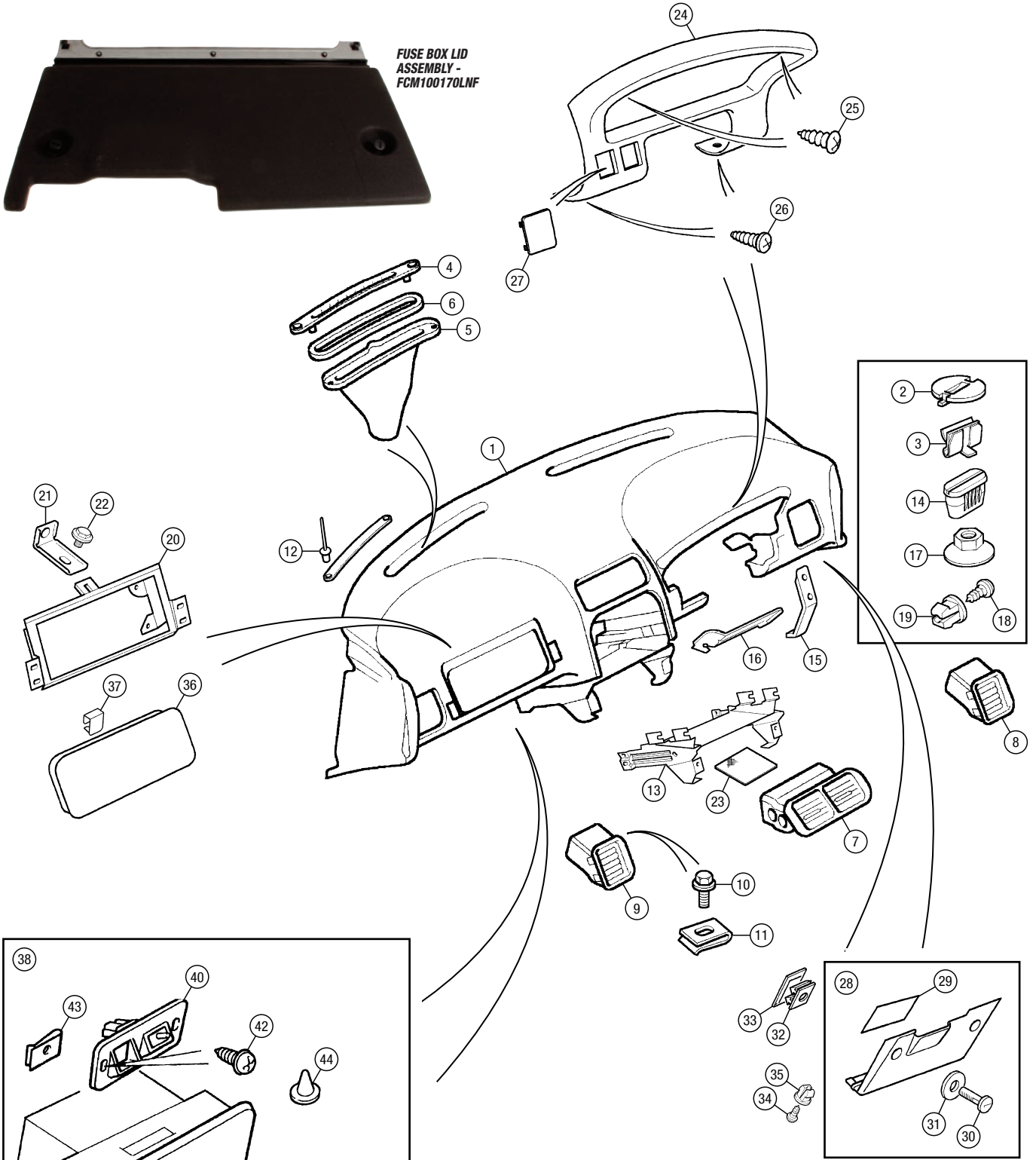
MG TF GLOVEBOX ASSEMBLY - FFB100700LNF



INTERIOR - FASCIA & GLOVEBOX



FUSE BOX LID ASSEMBLY - FCM100170LNF



GLOVE BOX LOCK - FNB10013G



INTERIOR - CENTRE CONSOLE & 'T' BAR

No.	DESCRIPTION	QTY REQ.	PART No.
-----	-------------	----------	----------

Centre Console

- 1 CENTRE CONSOLE:**
MGF
Ash Grey
to VIN XD511058 1 **FHS101210LNF**
VIN XD511059 on 1 **FHS101420LNF**
Walnut 1 **FHS101420SAV**
MG TF
Ash Grey 1 **FHS101420LNF**
Light Smokestone 1 **FHS101420LPR**
Light Tan 1 **FHS101420SBA**
Grenadine Red 1 **FHS101420CVC**
DYP10035
- 2 SCREW, centre console fixing** 4 **DRC5582**
- 3 NUT, Lokut, centre console fixing:**
MGF to VIN AD006688 4 **DRC5582**
MGF VIN AD006689 on, MG TF 6 **DRC5582**
- 4 GROMMET, centre console fixing** 2 **ALU1629**
MGF to VIN AD006688
- 5 EXTENSION FINISHER, centre console:**
Ash Grey (MGF & MG TF)
RH 1 **FHH100121LNF**
LH 1 **FHH100131LNF**
Walnut (MGF only)
RH 1 **FHH100121SAV**
LH 1 **FHH100131SAV**
- 6 SCREW, finisher to tunnel** 4 **DA608044L**
- 7 REAR STOWAGE BIN, centre console:**
Includes rear lid striker, spring nuts and plastic clip.
Ash Grey (MGF & MG TF) 1 **FHM100190LNF**
Walnut (MGF only) 1 **FHM100190SAV**
- 8 STRIKER, rear lid** 1 **FYC10019**
- 9 SPRING NUT, U type** 2 **AK608141**
- 10 CLIP, rear stowage bin, plastic** 1 **13H7468**
- 11 SCREW, rear stowage bin to body:**
MGF to VIN WD032189 2 **DA608064**
MGF VIN WD032190 on, MG TF 6 **DA608044L**
- 12 NUT, Lokut** 2 **CZK3264**
- 13 LID ASSEMBLY, complete, centre console:**
Includes front and rear centre console lids, hinge assembly and latches.
original fitment vinyl
MGF
Ash Grey
to VIN XD511058 1 **FJB100140LNF**
VIN XD511059 on 1 **FJB100440LNF**
Walnut 1 **FJB100440SAV**
MG TF
Ash Grey 1 **FJB100440LNF**
Light Smokestone 1 **FJB100440LPR**
Light Tan 1 **FJB100440SBA**
Grenadine Red 1 **FJB100440CVC**
original fitment leather
MGF
Ash Grey 1 **FJB100450LNF**
Walnut 1 **FJB100450SAV**
MG TF
Ash Grey 1 **FJB100450LNF**
Light Smokestone 1 **FJB100450LPR**
Light Tan 1 **FJB100450SBA**
Grenadine Red 1 **FJB100450CVC**
Black 1 **FJB100450PMA**
replacement fitment leather
Sold in exchange for your old complete console lid assembly.
Black 1 **RP1154BLACK**
Grey 1 **RP1154GREY**
Light Stone Beige 1 **RP1154BEIGE**
Biscuit 1 **RP1154BISCUIT**
Cream 1 **RP1154CREAM**
British Racing Green 1 **RP1154BRG**
Blue 1 **RP1154BLUE**
Red 1 **RP1154RED**
- 14 FRONT LID ONLY, centre console:**
original fitment vinyl
MGF
Ash Grey
to VIN XD511058 1 **FJB100170LNF**
VIN XD511059 on 1 **FJB100510LNF**
Walnut 1 **FJB100510SAV**
MG TF
Ash Grey 1 **FJB100510LNF**
Light Smokestone 1 **FJB100510LPR**
Light Tan 1 **FJB100510SBA**
Grenadine Red 1 **FJB100510CVC**
factory option leather
Light Granite 1 **VUK100070LPD**
Fitted originally as part of MGF Heritage option.
Cream 1 **VUK100070VAC**
Fitted originally as part of MGF Heritage option.
Red 1 **VUK100070CMS**
Fitted originally as part of MGF Heritage option.

No.	DESCRIPTION	QTY REQ.	PART No.
-----	-------------	----------	----------



CENTRE CONSOLE LID ASSEMBLY - RP1154



CENTRE CONSOLE REAR LID ONLY - FJB100500LPR

- 15 REAR LID ONLY, vinyl, centre console:**
MGF
Ash Grey
to VIN XD511058 1 **FJB100180LNF**
VIN XD511059 on 1 **FJB100500LNF**
Walnut 1 **FJB100500SAV**
MG TF
Ash Grey 1 **FJB100500LNF**
Light Smokestone 1 **FJB100500LPR**
Light Tan 1 **FJB100500SBA**
Grenadine Red 1 **FJB100500CVC**
- 16 HINGE, centre console lids** 1 **FJC100080**
- 17 LATCH, front console lid** 1 **FYC10020**
- 18 LATCH, rear console lid** 1 **FJF100070**
- 19 SCREW, console lid assembly** 12 **FYP100960**
- 20 SCREW, lid assembly to console**
MGF to VIN WD036485 2 **DA608074**
MGF VIN WD036486 on, MG TF 4 **DA608084**
- 21 STOWAGE BIN, console** 1 **FHM100250PMA**
- 22 FINISHER, stowage bin** 1 **FJV101000PMA**
- 23 SCREW, finisher to console** 2 **DA608061**
- 24 ASH TRAY, black plastic** 1 **FKH100160PMA**
- 25 ASH TRAY, chrome** 1 **FKH100210MMM**
- 26 CHROME INTERIOR ACCESSORY KIT** 1 **VUB105690**
Includes chrome ash tray, cigar lighter and handbrake button.
- CIGAR LIGHTER SURROUND RING:**
Polished Aluminium 1 **RP1639ALU**
Anodised Silver 1 **RP1639SIL**



CIGAR LIGHTER SURROUND RING - RP1639ALU



CIGAR LIGHTER SURROUND RING - RP1639SIL

- 27 BRACKET, ash tray** 1 **FHC100360**
Required with black plastic ash tray only.
- 28 SCREW, ash tray bracket** 2 **AD608081**
Required with black plastic ash tray only.
- 29 NUT, Lokut** 2 **OYH003428EVA**
Required with black plastic ash tray only.



No.	DESCRIPTION	QTY REQ.	PART No.
-----	-------------	----------	----------



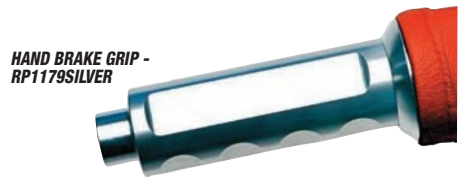
HANDBRAKE GAITER AND GRIP KIT - RP1153BLACK

- 30 HAND BRAKE LEATHER GAITER & GRIP KIT:**
Range of leather gaiter and grip kits specially produced in colours to match MGF and MG TF accessory trim and packages.
Black gaiter & Black grip 1 **RP1153BLACK**
Grey gaiter & Black grip 1 **RP1153GREY**
Light Stone Beige gaiter, Black grip 1 **RP1153BEIGE**
Biscuit gaiter & Black grip 1 **RP1153BISCUIT**
Cream gaiter & Black grip 1 **RP1153CREAM**
British Racing Green gaiter, Black grip 1 **RP1153BRG**
Red gaiter & Black grip 1 **RP1153RED**
Blue gaiter & Black grip 1 **RP1153BLUE**
- 31A HAND BRAKE GAITER ONLY:**
original fitment vinyl,
For all other colours, refer to replacement type.
Black 1 **FJL100720PMA**
factory option leather
Red 1 **FJL101190CMS**
Fitted originally as part of MGF Heritage option.
Walnut 1 **FJL101200SAV**
replacement fitment leather
Range of hand brake gaiters specially produced in colours to match MGF and MG TF accessory trim and packages.
Black 1 **RP1487BLACK**
Grey 1 **RP1487GREY**
Light Stone Beige 1 **RP1487BEIGE**
Biscuit 1 **RP1487BISCUIT**
Cream 1 **RP1487CREAM**
British Racing Green 1 **RP1487BRG**
Red 1 **RP1487RED**
Blue 1 **RP1487BLUE**



HANDBRAKE GAITER - LEATHER REPLACEMENT - RP1487BLACK

- 31B HAND BRAKE GRIP ONLY:**
original fitment, black plastic 1 **NCC8122PMA**
accessory fitment
Alloy Silver 1 **RP1179SILVER**
Alloy Titanium look 1 **RP1179TITANIUM**
Alloy Black leather/chrome 1 **RP1179BLEATHER**



HAND BRAKE GRIP - RP1179SILVER



HAND BRAKE GRIP - RP1179TITANIUM



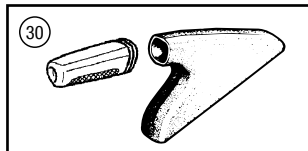
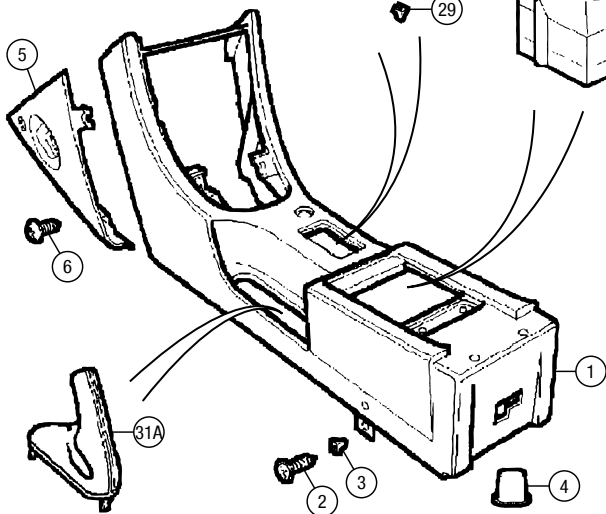
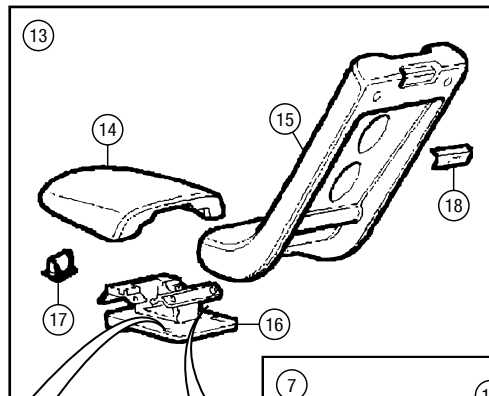
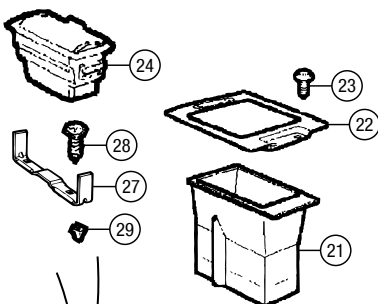
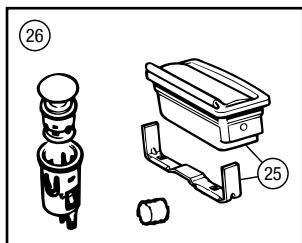
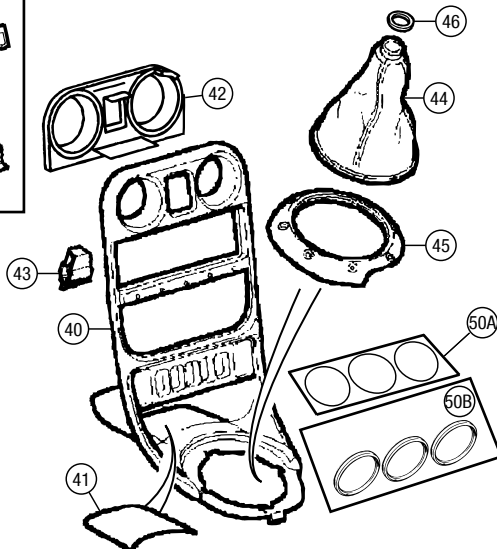
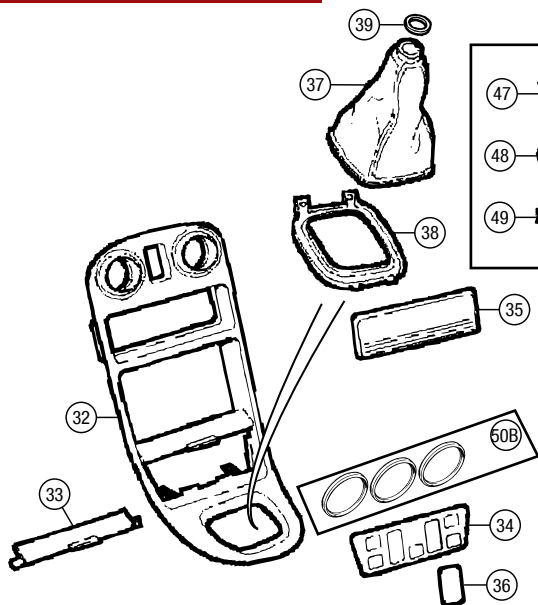
HAND BRAKE GRIP - RP1179BLEATHER



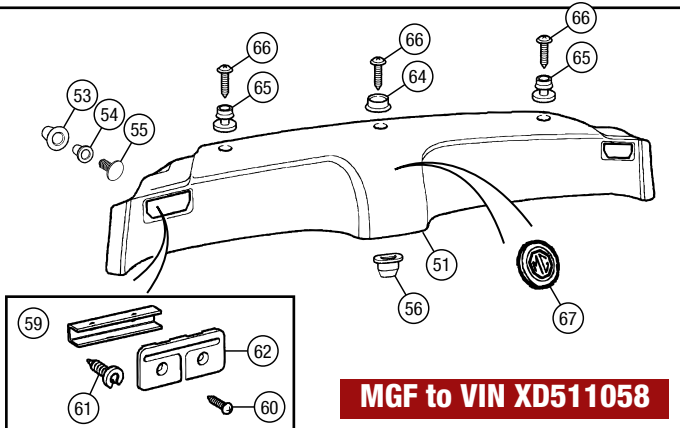
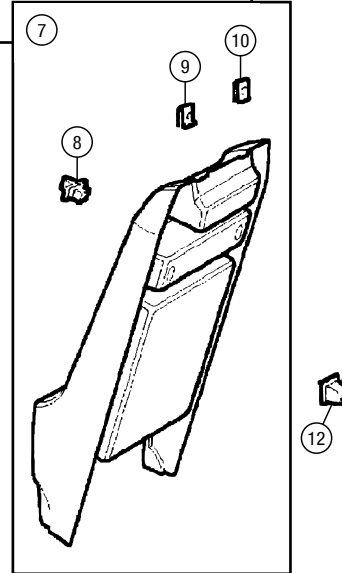
MGF to VIN XD511058
'MK1' FACIA

MGF VIN XD511059 on, MG TF
'MK2' FACIA

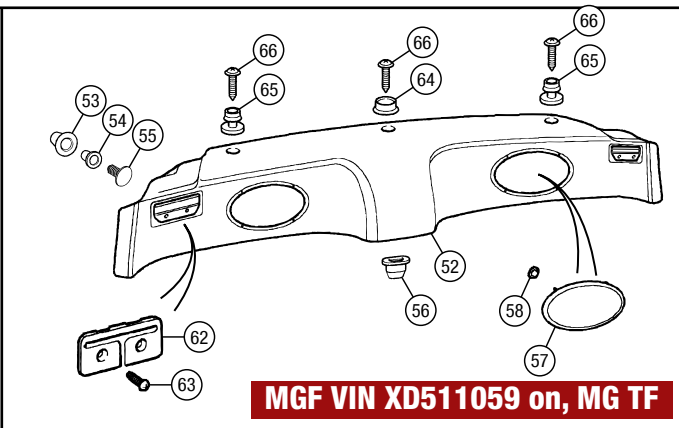
REPLACEMENT TRIM COLOURS
(as accurate as printing will allow).



CENTRE CONSOLE
FRONT LID ONLY -
FJB100510SAV



MGF to VIN XD511058



MGF VIN XD511059 on, MG TF



No. DESCRIPTION QTY REQ. PART No.

Centre Console Fascia

MGF to VIN XD511058 (to 1999) 'Mk 1' Type Fascia

- 32 FASCIA, centre console:
Includes switch housing finisher, clips and screws.
 - Black 1 **FHR100160PMA**
 - Burr Walnut 1 **FHR100410ANU**
- FASCIA TRIM, carbon fibre 1 **VUB105120**
Original equipment, centre console fascia only.
- FASCIA TRIM KIT:
Lift the appearance of your console fascia with one of our fascia trim kits, each including a console fascia overlay in a choice of alloy, carbon fibre or walnut wood finishes together with matching face level vent surrounds:
 - alloy finish 1 **RP1092ALLOY**
 - carbon fibre finish 1 **RP1092CARBON**
 - walnut finish 1 **RP1092WALNUT**
- 33 FINISHER, switch housing 1 **FJV101050PMA**
- 34 PANEL, switch:
 - without air conditioning 1 **FJM100640PMA**
 - with air conditioning 1 **FJM100650PMA**
- 35 BLANKING PLATE, radio hole A/R **FBV10065PMA**
- 36 BLANKING PLUG, switch hole A/R **YXJ100130PMA**
- 37 GAITER, gear lever, replacement fitment leather:
Range of leather gear lever gaiters specially produced in colours to match MGF accessory trim and packages.
 - Black leather 1 **RP1152BLACK**
 - Grey leather 1 **RP1152GREY**
 - Light Stone Beige leather 1 **RP1152BEIGE**
 - Biscuit leather 1 **RP1152BISCUIT**
 - Cream leather 1 **RP1152CREAM**
 - British Racing Green leather 1 **RP1152BRG**
 - Blue leather 1 **RP1152BLUE**
 - Red leather 1 **RP1152RED**
- 38 LOWER FINISHER, gear lever gaiter:
 - original black plastic 1 **FJN100160PMA**
 - silver anodised finish alternative 1 **RP1482**
- 39 FERRULE, gear lever gaiter,
Replaces original black plastic ferrule on all cars so fitted.
 - silver anodised 1 **RP1483**

No. DESCRIPTION QTY REQ. PART No.

MGF VIN XD511059 on (2000 on), MG TF 'Mk 2' Type Fascia

- 40 FASCIA, centre console:
MGF VIN XD511059 on (not Trophy)
 - Black 1 **FHD102460PMA**
 - Burr Walnut 1 **FHD102460ANV**
- MGF Trophy*
 - Trophy Yellow 1 **FHD102460FAR**
 - Trophy Blue 1 **FHD102460JFV**
 - Solar Red 1 **FHD102460CMU**
 - Anthraccite 1 **FHD102460LQW**
- MG TF*
 - Silver 1 **FHD102460MAU**
 - Black 1 **FHD102460PMA**
 - Technical Black 1 **FHD102460PVG**
 - Technical Grey 1 **FHD102460LFD**
- MGF & MG TF factory option*
 - Bright Silver 1 **FHD102460MWK**
- FASCIA TRIM KIT, accessory fitment:
Lift the appearance of your console fascia with one of our fascia trim kits, each including a console fascia overlay in a choice of alloy, carbon fibre or walnut wood finishes together with matching face level vent surrounds:
 - alloy finish 1 **RP1093ALLOY**
 - carbon fibre finish 1 **RP1093CARBON**
 - walnut finish 1 **RP1093WALNUT**
- 41 MAT, anti-slip, console fascia 1 **FIF000180PMA**
- 42 MOULDING, fascia adaptor, upper 1 **FWJ100240**
- 43 MOULDING, fascia adaptor, lower:
 - RH 1 **FWJ100260**
 - LH 1 **FWJ100270**
- 44 GAITER, gear lever:
 - manual**, replacement fitment - leather
Range of gear lever gaiters specially produced in colours to match late MGF and MG TF accessory trim and packages.
 - Black leather 1 **RP1190BLACK**
 - Grey leather 1 **RP1190GREY**
 - Light Stone Beige leather 1 **RP1190BEIGE**
 - Biscuit leather 1 **RP1190BISCUIT**
 - Cream leather 1 **RP1190CREAM**
 - British Racing Green leather 1 **RP1190BRG**
 - Blue leather 1 **RP1190BLUE**
 - Red leather 1 **RP1190RED**
 - automatic**, replacement fitment - leather
Range of automatic gear lever gaiters specially produced in colours to match late MGF and MG TF accessory trim and packages.
 - Black leather 1 **RP1643BLACK**
 - Grey leather 1 **RP1643GREY**
 - Light Stone Beige leather 1 **RP1643BEIGE**
 - Biscuit leather 1 **RP1643BISCUIT**
 - Cream leather 1 **RP1643CREAM**
 - British Racing Green leather 1 **RP1643BRG**
 - Blue leather 1 **RP1643BLUE**
 - Red leather 1 **RP1643RED**

No. DESCRIPTION QTY REQ. PART No.

Rear Bulkhead Trim ('T Bar')

- 51 FINISHER TRIM, rear bulkhead ('T bar'):
MGF to VIN XD511058 (to 1999) 'Mk 1' type, without speaker holes.
 - original fitment, Ash Grey not 75th Anniversary 1 **EQY100630LNF**
Without badge hole.
 - accessory fitment, leather trimmed
Sold in exchange for your old T bar. Without speaker holes.
 - Black 1 **RP1155BLACK**
 - Grey 1 **RP1155GREY**
 - Light Stone Beige 1 **RP1155BEIGE**
 - Biscuit 1 **RP1155BISCUIT**
 - Cream 1 **RP1155CREAM**
 - British Racing Green 1 **RP1155BRG**
 - Blue 1 **RP1155BLUE**
 - Red 1 **RP1155RED**
- 52 FINISHER TRIM, rear bulkhead ('T bar'):
MGF VIN XD511059 on (2000 on), MG TF 'Mk 2' type, with speaker holes.
 - original fitment not 80th Anniversary
 - Ash Grey 1 **EQY100660LNF**
 - Walnut 1 **EQY100660SAV**
 - Light Smokestone 1 **EQY100660LPR**
 - Light Tan 1 **EQY100660SBA**
 - Grenadine Red 1 **EQY100660CVC**
 - accessory fitment, leather trimmed
Sold in exchange for your old T bar. With speaker holes. May be retro-fitted to pre-2000 MGFs to allow rear speaker fitment.
 - Black 1 **RP1189BLACK**
 - Grey 1 **RP1189GREY**
 - Light Stone Beige 1 **RP1189BEIGE**
 - Biscuit 1 **RP1189BISCUIT**
 - Cream 1 **RP1189CREAM**
 - British Racing Green 1 **RP1189BRG**
 - Blue 1 **RP1189BLUE**
 - Red 1 **RP1189RED**
- 53 CLIP, rear bulkhead finisher:
 - MGF to VIN AD003761 6 **DKP5281**
 - MGF VIN AD003762 on, MG TF 6 **EYC10064**
- 54 INSERT, clip 6 **DZN10001**
- 55 DRIVE FASTENER 6 **EZM100320**
- 56 GROMMET, rear bulkhead finisher 3 **ALU1629**
- 57 SPEAKER GRILLE:
MGF VIN XD511059 on, MG TF.
 - RH 1 **XQB100940**
 - LH 1 **XQB100950**
- 58 WASHER, speaker grille attaching 8 **EYF105390**
- 59 CONVERSION KIT, seat belt escutcheon 2 **ESK100460K**
MGF to VIN XD500005.
MGFs prior to VIN XD500005 were fitted with rear bulkhead finishers which took a different type of escutcheon, now unavailable.
This kit converts the early finisher to accept the later type escutcheons. Kit includes one later type escutcheon, conversion bracket, screws and drive fasteners.
- 60 SCREW, seat belt escutcheon 4 **BTR8283A**
MGF to VIN XD500005, when fitted with escutcheon conversion kit.
- 61 DRIVE FASTENER, seat belt escutcheon 6 **EZM10011**
MGF to VIN XD500005, when fitted with escutcheon conversion kit.
- 62 ESCUTCHEON, seat belt 2 **EQG100280PMA**
MGF VIN XD500006 on, MG TF.
Also included in escutcheon conversion kit for MGFs to VIN XD500005.
- 63 SCREW, seat belt escutcheon 4 **DA608054L**
MGF VIN XD500006 on, MG TF.
- STUD, hood stowage cover to bulkhead finisher,
- 64 STUD, hood stowage cover to bulkhead finisher, centre 1 **HYR10002**
- 65 STUD, hood stowage cover to bulkhead finisher, outer, shouldered 2 **EYR000050**
- 66 SCREW, hood cover stud 3 **ABG06143**
- 67 BADGE, 'MG' logo 1 **DAM100760H**
MGF 75th Anniversary model.



Heater Control Knobs

- HEATER CONTROL KNOB SETS:
Accessory type set of 3 knobs, replacing all styles of original knob.
 - MGF*
 - polished aluminium 1 **RP1160S**
 - anodised silver 1 **RP1160A**
 - MG TF*
 - polished aluminium 1 **RP1161S**
 - anodised silver 1 **RP1161A**
- 50A HEATER BEZEL TRIM PANEL, heater control knobs:
Brighten up your heater control area with this trim panel in a range of finishes.
 - MG TF*
 - chrome 1 **JWK000230C**
 - polished aluminium 1 **JWK000230A**
 - anodised silver 1 **JWK000230S**
- 50B BEZEL KIT, heater control knobs, MGF/TF:
Brighten up your heater control with this set of 3 high quality accessory trim rings, in a range of finishes.
 - chrome 1 **RP1668C**
 - polished aluminium 1 **RP1668A**
 - anodised silver 1 **RP1668S**

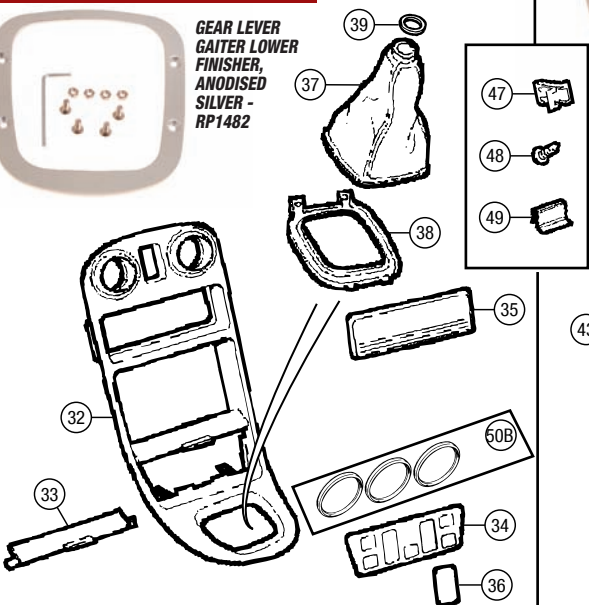




**MGF to VIN XD511058
'MK1' FACIA**



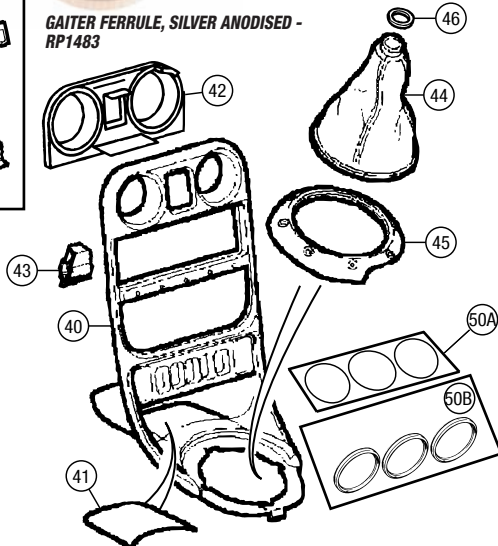
GEAR LEVER
GAITER LOWER
FINISHER,
ANODISED SILVER -
RP1482



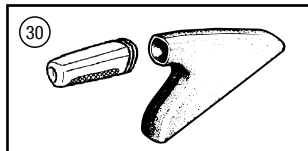
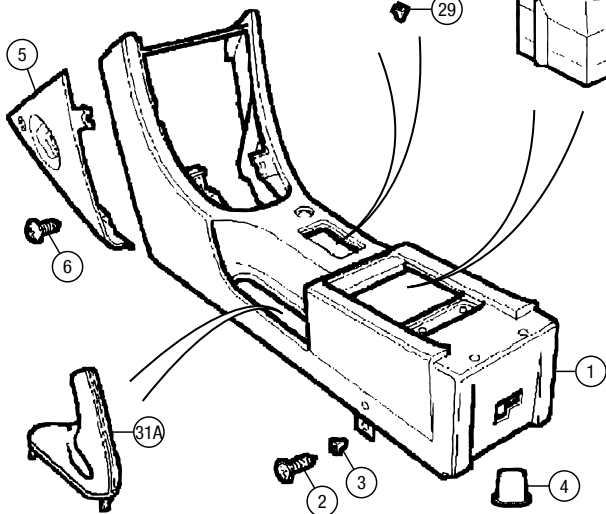
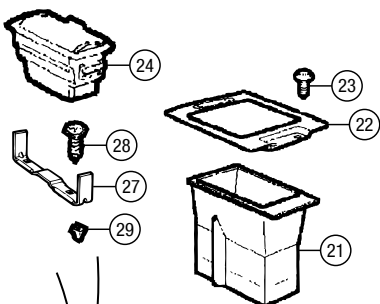
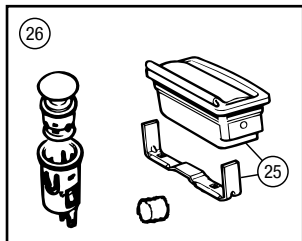
**MGF VIN XD511059
on, MG TF
'MK2' FACIA**



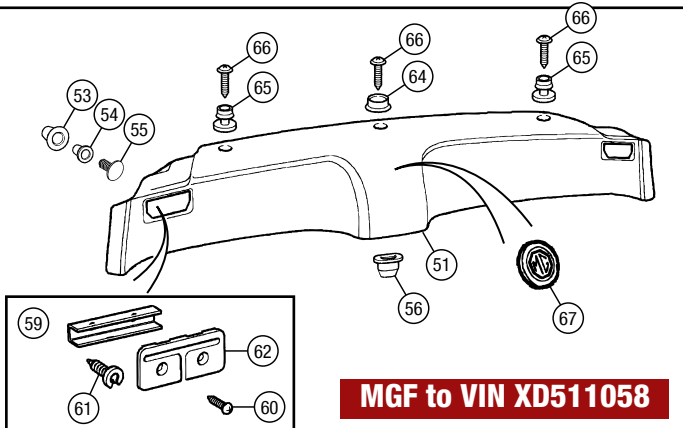
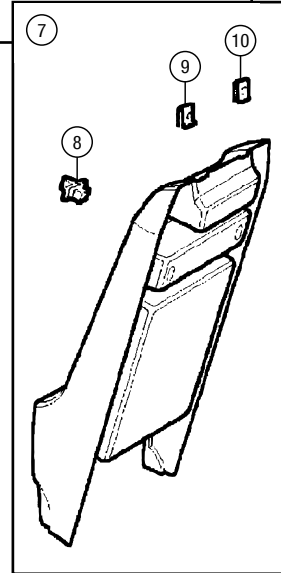
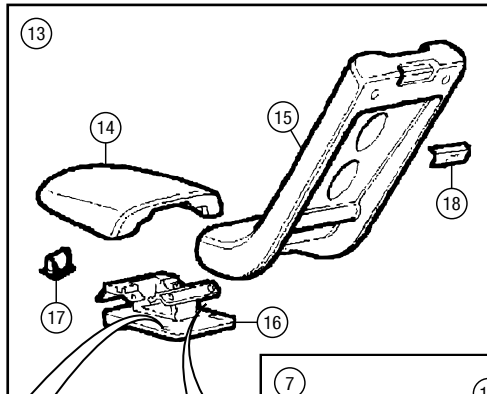
GAITER FERRULE, SILVER ANODISED -
RP1483



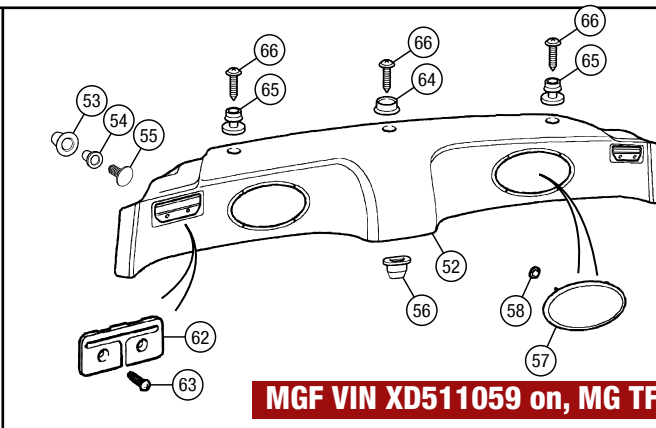
REPLACEMENT TRIM COLOURS
(as accurate as printing will allow).



AUTOMATIC GEAR
LEVER GAITER -
RP1643BLACK



MGF to VIN XD511058



MGF VIN XD511059 on, MG TF



No. DESCRIPTION QTY REQ. PART No.

Interior Carpet

1 CARPET SET, 3 piece, aftermarket fitment:
 We say 'aftermarket fitment' to distinguish these carpets from the original fitment (which are now no longer available), but in many ways they're superior to the originals.
 New moulding tools have been commissioned and as a result the opportunity has been taken to greatly improve the fit and durability. It also means that carpets are now available in a wide selection of colours, complementing the interior trim items now available, as well as original style black.
 Each kit includes a pair of full-length moulded floor carpets plus the rear bulkhead carpet. Because they're moulded exactly to shape, no gluing or trimming is required and fitment takes approximately three hours (removal of the seats is required during the process).
 Also included in the MG TF kits are floor insulation pads, replicating the original late model MG TF thick white foam-backed carpet specification and guaranteeing comfort and improved noise suppression.

RHD, MGF		
Black	1	RP1107BLACK
Grey	1	RP1107GREY
Biscuit	1	RP1107BISCUIT
British Racing Green	1	RP1107BRG
Blue	1	RP1107BLUE
Red	1	RP1107RED

RHD, MG TF		
<i>Also includes insulation kit.</i>		
Black	1	RP1110BLACK
Grey	1	RP1110GREY
Biscuit	1	RP1110BISCUIT
British Racing Green	1	RP1110BRG
Blue	1	RP1110BLUE
Red	1	RP1110RED

LHD, MGF		
Black	1	RP1108BLACK
Grey	1	RP1108GREY
Biscuit	1	RP1108BISCUIT
British Racing Green	1	RP1108BRG
Blue	1	RP1108BLUE
Red	1	RP1108RED

LHD, MG TF		
<i>Also includes insulation kit.</i>		
Black	1	RP1111BLACK
Grey	1	RP1111GREY
Biscuit	1	RP1111BISCUIT
British Racing Green	1	RP1111BRG
Blue	1	RP1111BLUE
Red	1	RP1111RED

2 CARPET, hood well, Black 1 **EAD000010PMA**

No. DESCRIPTION QTY REQ. PART No.



Carpet Insulation Kit

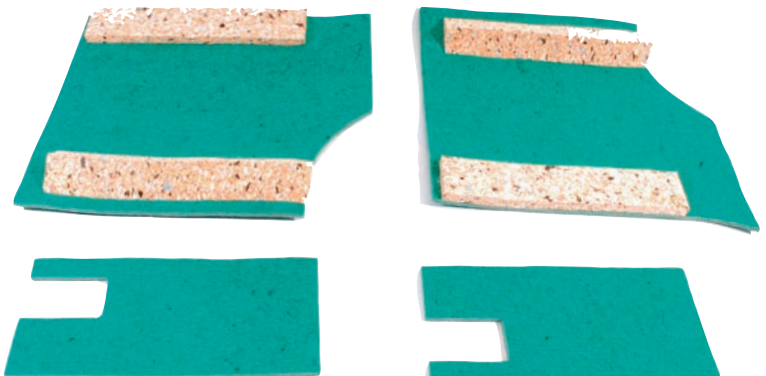
Highly recommended if you're purchasing one of our 3 piece carpet sets for your MGF, this insulation kit actually makes for improved carpet fitment while also updating your car to late MG TF levels of comfort and noise suppression by replicating that model's thick white foam-backing to the carpet. The kit includes pads for both front footwells and the rear floor. Also recommended for supplementing original carpets in MGFs and earlier MG TFs (up to VIN 4D620548).

If you are purchasing one of our 3 piece MG TF carpet sets, you won't need this kit; it's included in your carpet set. Similarly, late MG TFs (VIN 4D620549 on) with original white foam-backed carpets do not require this kit.

3 CARPET INSULATION KIT 1 **RP1109**

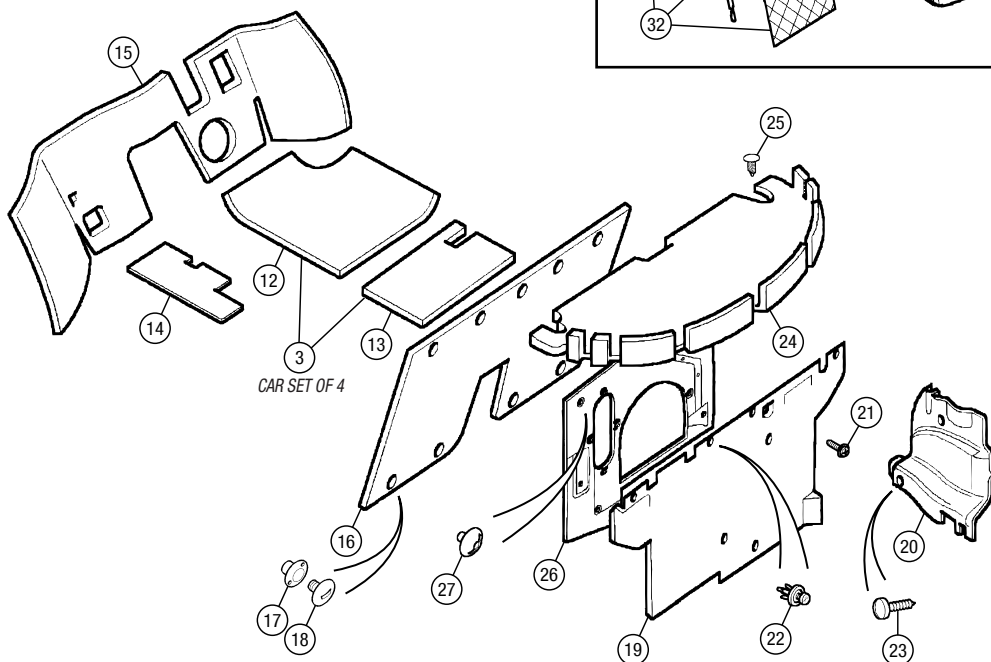
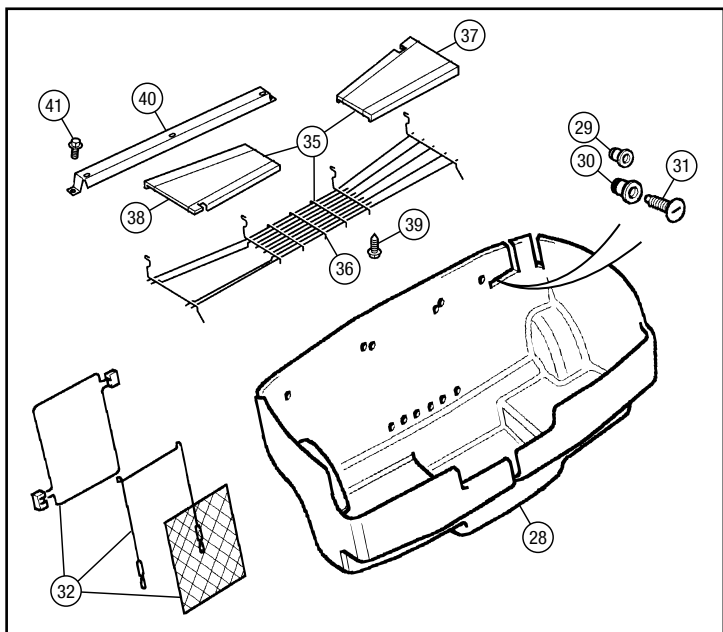
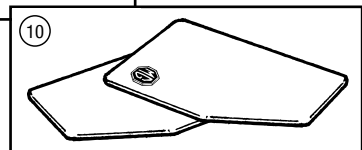
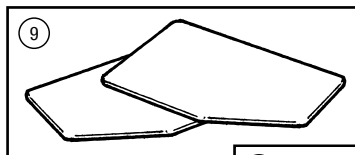
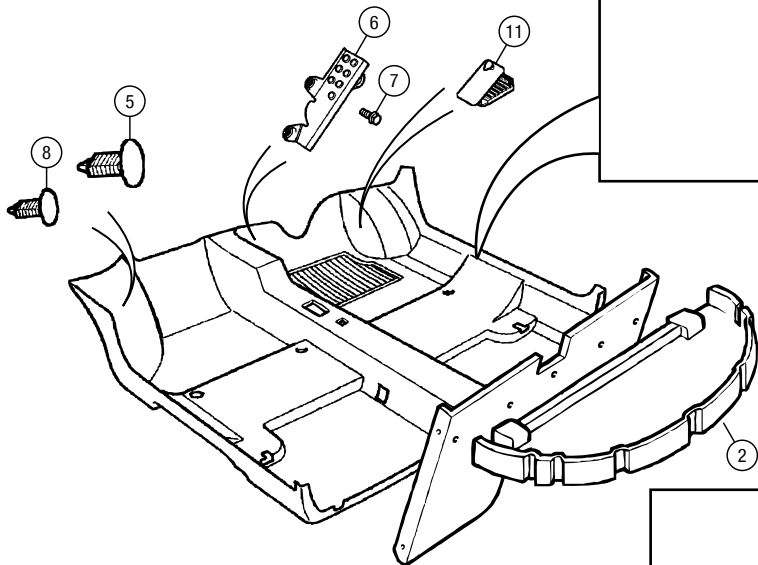
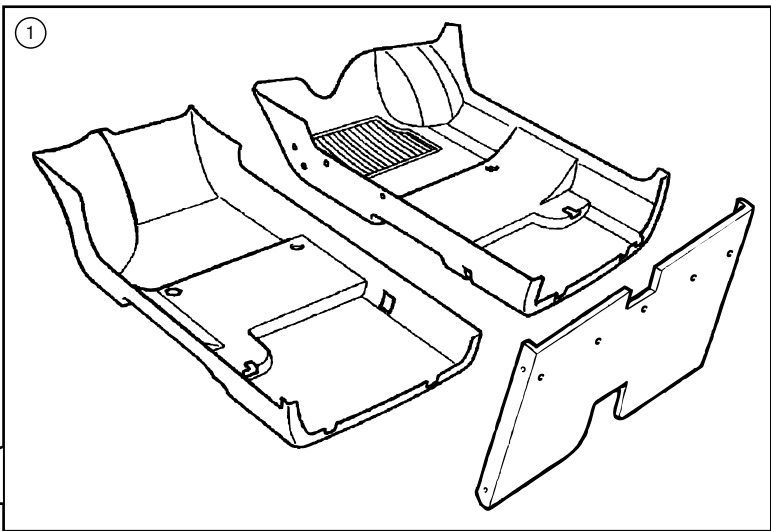
Interior Carpet Fittings

- 5 FASTENER, carpet:**
- | | | |
|----------|----|-------------------|
| Black | 10 | ADU2837 |
| Ash Grey | 10 | YXX4633LNF |
- 6 FOOTREST, driver's** 1 **EAY100160**
- 7 SCREW, footrest** 3 **FS106205**
- BRACKET, warning flare (Japan only) 1 **KCU100020L**
- SCREW, flare bracket to floor 1 **SE105164L**
- Japan only.*
- NUT, Lokut (Japan only) 1 **DRC5582**
- 8 FASTENER, hole blanking** 1 **AFU3711L**
- Not Japan. Fills hole used for mounting Japan market warning flare bracket in original fitment carpets.*





CARPET COLOURS
(as accurate as printing will allow).



CAR SET OF 4



No. DESCRIPTION QTY REQ. PART No. No. DESCRIPTION QTY REQ. PART No. No. DESCRIPTION QTY REQ. PART No.



OVERMAT SET, ORIGINAL EQUIPMENT, BLACK, RHD - EAH103900PMA

GUNSMOKE



RUBBER OVERMAT SET - XPT000067ACA



OVERMAT SET, AFTERMARKET FITMENT, GREY, RHD - RP1500GREY

BLACK

Overmats

- 9 CARPET OVERMAT SET, 2 piece, original fitment:
 - RHD, Black 1 EAH103900PMA
 - RHD, Gunsmoke 1 EAH104800WSM
 - LHD, Black 1 EAH103890PMA
- 10 CARPET OVERMAT SET, 2 piece, aftermarket fitment:

Made from the same quality materials as the 3 piece aftermarket carpet sets. Features MG logo on each mat. Also included are anti-slip fixings to prevent mat creepage.

 - RHD
 - Black 1 RP1500BLACK
 - Grey 1 RP1500GREY
 - LHD
 - Black 1 RP1501BLACK
 - Grey 1 RP1501GREY
- RUBBER OVERMAT SET, 2 piece, semi-universal (trim to fit) 1 XPT000067ACA
- 11 HOOK, overmat retaining 2 EAJ100130

Required for original fitment carpet overmats and rubber overmats only (our aftermarket carpet overmats include their own anti-slip fixings).

Sound Deadening Panels

These self-adhesive bitumen pads have become a necessity with motor manufacturing engineers chasing NVH goals (eradication of noise, vibration and harshness). They are dramatically effective when applied to the inside of large, flexible pressings on a car bodyshell (such as door skins, floors and roof panels) where they will damp out drumming and give the vehicle that 'heaven from solid' feel.

The pads should be gently warmed before application, since when cold their inflexibility and brittle nature makes them impossible to fit to even the most slightly contoured body panel.

- SOUND DEADENING PANEL:

Fit as required. Size: 530mm x 190mm (cut to fit).

each	A/R	RB7145
set of 5	A/R	RB7145K5
set of 10	A/R	RB7145K10



SOUND DEADENING PANEL - RB7145

Engine Guard

- 35 ENGINE GUARD ASSEMBLY 1 ESH100182

Includes guard covers and fixings.
- 36 GUARD, engine 1 ESH100151
- 37 COVER, engine guard, RH 1 ERK100232
- 38 COVER, engine guard, LH 1 ERK100231
- 39 SCREW, engine guard securing 11 EYP100870
- 40 BRACKET, parcel shelf 1 EPE100121
- 41 SCREW, bracket securing 4 FS106127P

Rear Loadspace Trim

- 28 LOADSPACE CARPET, Ash Grey
 - MGF, MG TF to VIN 5D639633 1 EAG000160LNF
 - MG TF VIN 5D639634 on 1 EAG000260LNF
- 29 STUD, loadspace carpet, small 4 AJU1136
- 30 STUD, loadspace carpet, large 4 BMK2117
- 31 DRIVE FASTENER, loadspace carpet:
 - Black 8 ADU2837
 - Ash grey 8 YXX4633LNF
- 32 LOADSPACE STOWAGE NET KIT 1 ESK100260

80cm x 20cm elasticated black luggage net kit. Originally fitted to all MGFs, plus MG TFs up to VIN 3D610317, but will fit later models too (and other cars!).
- 33 LOADSPACE LINER 1 VUB112420

Simple heavy-duty fabric liner tailored for the MGF and MG TF rear loadspace. Inexpensive protection for your loadspace carpet. Folds up out of the way when not required.
- 34 REAR LAMP ACCESS COVERS, pair 1 ZUA000640

Originally developed for the Nanjing MG TF LE, this pair of covers will tidy up the boot of an MGF or MG TF, while also protecting the bulb holders and wiring from inadvertent knocks and scrapes. They are suitable for all rear lamps and are retained with the lamp fixing nuts.



34 REAR LAMP ACCESS COVERS - ZUA000640

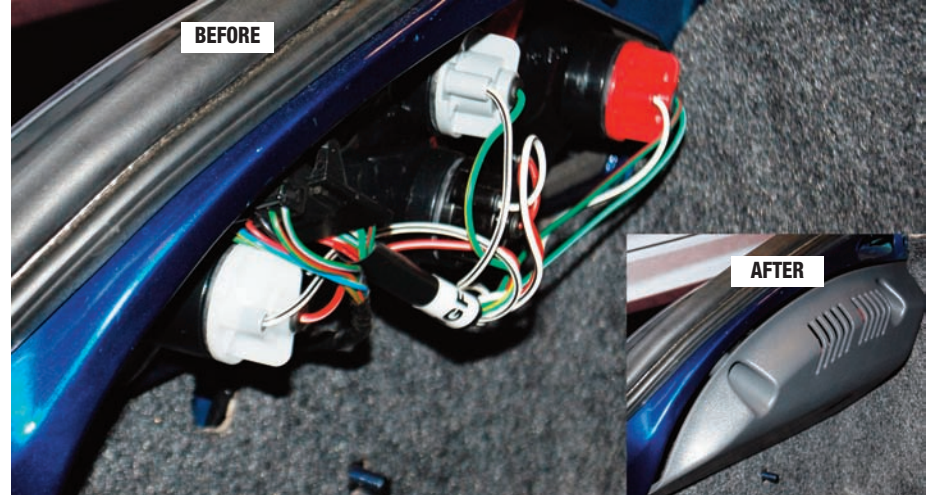
Sound Insulation

- 12 SOUND INSULATION PAD, cockpit, footwell:
 - RH 1 ETL100202
 - LH 1 ETL100212
- 13 SOUND INSULATION PAD, cockpit, rear floor 2 ETQ100121
- 14 SOUND INSULATION PAD, cockpit, tunnel:
 - RH side 1 ETR100080
 - LH side 1 ETR100090
- 15 SOUND INSULATION PAD, cockpit, front bulkhead, lower 1 ETC100672
- 16 SOUND INSULATION PAD, cockpit, rear bulkhead:
 - MGF, MG TF to VIN 2D535184 1 ETU100150
 - MG TF VIN 2D535185 on 1 ETU000050
- 17 CLIP, rear bulkhead pad, female 10 EYC10061
- 18 CLIP, rear bulkhead pad, male 10 EUM10001
- 19 SOUND INSULATION PAD, engine bay, bulkhead:
 - MGF 1 ETC107130
 - MG TF 1 ETC000410
- 20 SOUND INSULATION PAD, engine bay:
 - RH side (MGF only) 1 ETC100850
 - LH side 1 ETC100840

MGF VVC to VIN YD522572 only.
- 21 BOLT, engine bulkhead pad 1 EYG100140
- 22 SCREW RIVET, engine bulkhead pad A/R DCP4229
- 23 CLIP, engine bay side pad A/R EYC101040

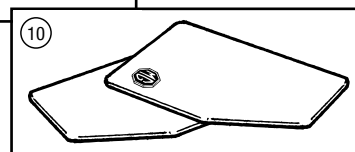
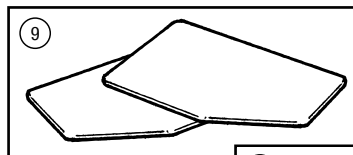
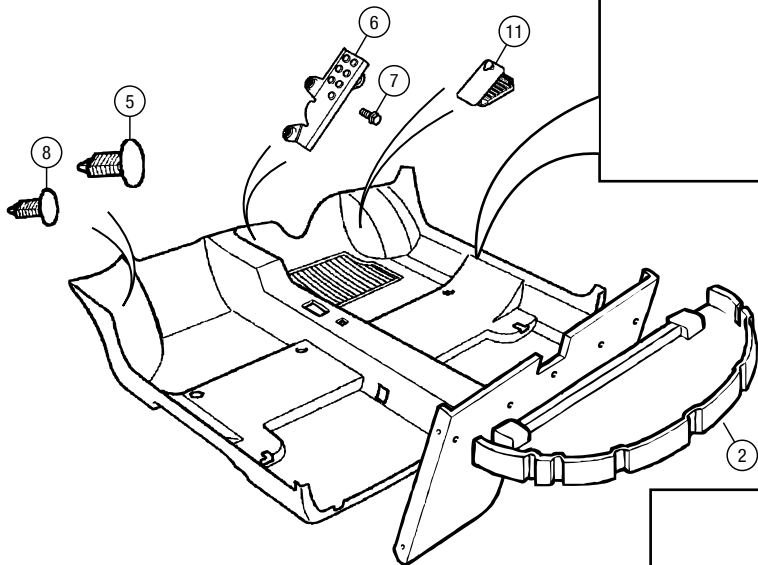
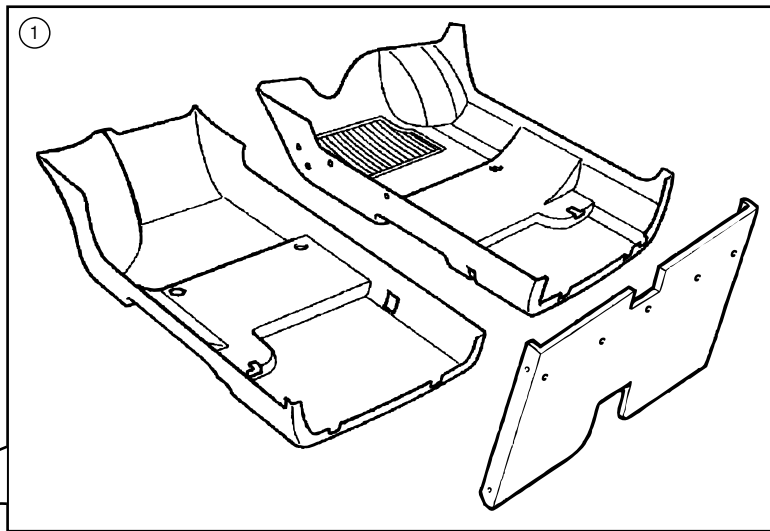
MGF only.
- 24 SOUND INSULATION PAD, hood well:
 - MGF to VIN YD517025 1 ETU100171
 - MGF VIN YD517026 on & MG TF to VIN 2D604406 1 ETU000070
 - MG TF VIN 2D604407 on 1 ETU000070
- 25 STUD, hood well pad 2 AJU1136

MGF VIN YD517026 on, MG TF.
- 26 SOUND INSULATION PAD, tank bulkhead 1 ETC100830
- 27 CLIP, tank bulkhead pad 4 EYC101050

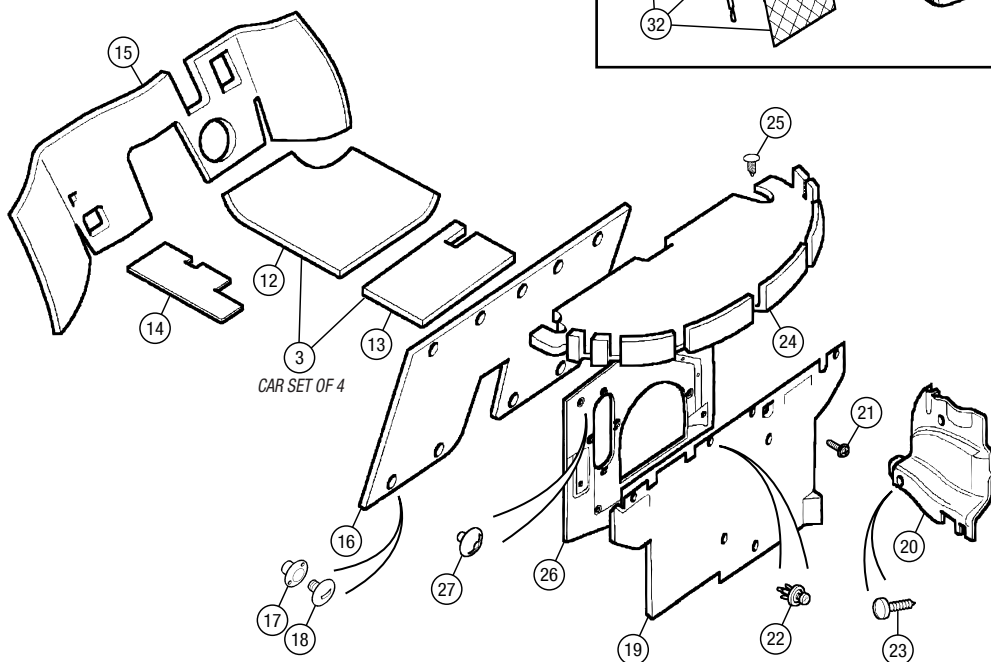
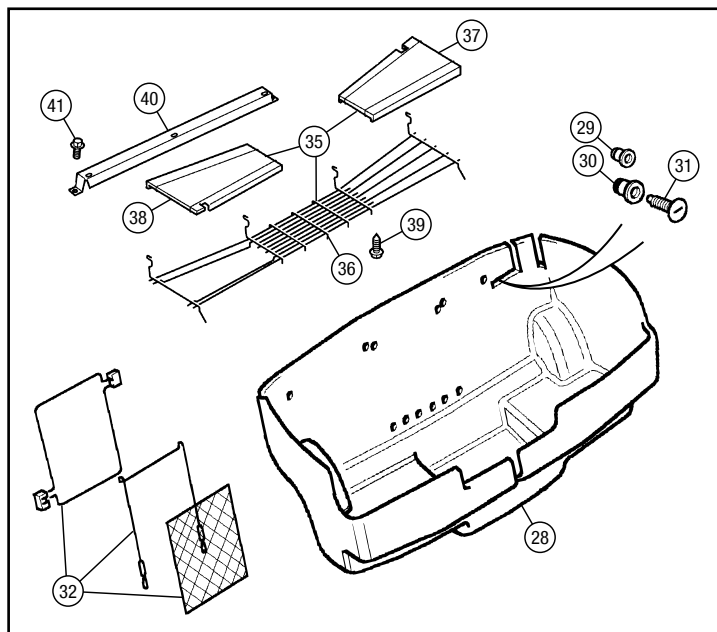


BEFORE

AFTER



33 LOADSPACE LINER - VUB112420



CAR SET OF 4



Hood & Frame Assembly

1 HOOD & FRAME

Complete, ready to fit hood and frames are available (in limited colours and quantities) at the time of writing. Once our stocks are exhausted the options are to fit a new hood cover from the range listed and/or install a new frame assembly (item 6) and transfer the ancillaries from your old frame - then fit a new cover. We offer a kit which includes a new hood frame and Sportster hood cover (requires fitting). If your existing hood frame assembly is complete then all fittings/seals etc can be transferred over to the new frame. The kit offers a saving over purchasing the items separately.

HOOD & FRAME ASSEMBLY:

Complete, ready to fit. Please note, these are brand new old stock, including mohair Sportster hood (glass rear window) and are sold at a fraction of the original price.

Black/Mist Grey	1	DSB000330PDA
Green	1	DSB000330HZP
Dark Blue	1	DSB000330JZP

HOOD & BARE FRAME KIT

Supplied with black Sportster hood, other colours are available on request.

Hood Cover

We supply hoods made by the original equipment manufacturer (OEM) in a range of colours. An aftermarket version (in black) is also available for 1998 on cars. Please check which hood is fitted to your car before ordering - it may have been swapped by a previous owner.

2 MOHAIR HOOD INCLUDING: PLASTIC REAR WINDOW

Hoods with a plastic rear window were fitted up to 2004. There are two versions dependent upon year, which are not interchangeable.

MGF to VIN WD024604 (1996-1998)

Original style, 4 section plastic rear window hood (identifiable by 2 seams running from the front of the hood to the rear seam) - will only fit on original pre-1998 hood frame.

Black, OEM	1	XPT000086PMAP1
Grey, OEM	1	XPT000086LZD
Beige, OEM	1	XPT000086RIO
Tan, OEM	1	XPT000086SBT
Green, OEM	1	XPT000086HZP
Dark Blue, OEM	1	XPT000086JZP
Burgundy, (Maroon) OEM	1	XPT000086CVG
Brown, OEM	1	XPT000086BRN

MGF VIN WD024605 on, MG TF to VIN 5D639630 (1998-2004). Also fits MG TF 2005 on.

Post 1998 style, 2 section plastic rear window hood (identifiable by a single seam running across the hood over the last rear hood bow). Will only fit on post 1998 hood frame. See also glass rear window Sportster version below, which can be fitted to any post 1998 hood frame.

Black OEM	1	XPT000087PMAP1
aftermarket	1	XPT000087PMAP
Grey, OEM	1	XPT000087LZD
Beige, OEM	1	XPT000087RIO
Tan, OEM	1	XPT000087SBT
Green, OEM	1	XPT000087HZP
Dark Blue, OEM	1	XPT000087JZP
Burgundy, (Maroon) OEM	1	XPT000087CVG
Brown, OEM	1	XPT000087BRN

2 MOHAIR SPORTSTER HOOD INCLUDING: GLASS (HEATED) REAR WINDOW

Hoods with a glass (heated) rear window were fitted to all TF models 2005 on but make a great upgrade for earlier cars (1998 on) - especially if the car has been fitted with a hardtop and therefore has the switch and relay for a heated rear window already fitted. If not, these items are available separately as listed below and are easy to install. Refer to Hardtop section for further details.

The Sportster hood is totally sealed against water ingress and the heated glass rear screen means that your rear vision is always clear. The hood comes complete with the cable to connect it to the heated rear window switch loom.

All models (optional) VIN 024605 on (1998-2004) and all MG TF VIN 5D639631 on (2005 on). Original equipment manufacturer (OEM)

Black, OEM	1	DSD500010PMAK
Grey, OEM	1	XPT000107LZDP
Beige, OEM	1	XPT000107RIOP
Tan, OEM	1	XPT000107SBTP
Green, OEM	1	XPT000107HZPP
Dark Blue, OEM	1	XPT000107JZPP
Burgundy, (Maroon) OEM	1	XPT000107CVGP
Brown, OEM	1	XPT000107BRNP

- HEATED REAR WINDOW INSTALLATION KIT:

Only required on MGF's and MG TF's prior to VIN 5D639630 (prior to 2005) where not currently fitted. Includes instructions, relay and switch.

MGF to VIN XD511508	1	VUB000090E
MGF VIN XD511509 on & MGTF to 5D639630	1	VUB000090L



MOHAIR HOOD WITH PLASTIC WINDOW



MOHAIR SPORTSTER HOOD WITH HEATED GLASS WINDOW

Hood Rear Window

3 REAR WINDOW ASSEMBLY:

PLASTIC REAR WINDOW (Green tint plastic window) Fits all models 1996-2004.

MGF, MG TF to VIN 5D639630 (to 2004)

Black material		
genuine MG Rover OEM	1	XPT000091PMA
	1	XPT000091PMAP1
Dark Grey material, OEM	1	XPT000091LFMP1
Originally fitted to Spark SE.		
Grey material, OEM	1	XPT000091LZDP1
Beige material, OEM	1	XPT000091RIOP1
Originally fitted to limited edition in Brooklands Green.		
Green material, OEM	1	XPT000091HZPP1
Blue material, OEM	1	XPT000091JZPP1
Burgundy material with fleck, OEM	1	XPT000091CCVP1
Originally fitted to 80th Anniversary model.		
Burgundy material, OEM	1	XPT000091CVGP1
Originally fitted to 75th Anniversary model.		

3 REAR WINDOW ASSEMBLY: GLASS (HEATED) REAR WINDOW

Originally fitted from 2005 on. Can also be fitted to hoods 1996-2004, zips straight into existing hood. No unzipping required to lower the hood. Includes fitting instructions and HRW wiring. Switch and relay available separately (VUB000090) if required.

MG TF VIN 5D639631 on (2005 on) and optional on MGF, MG TF to VIN 5D639630 (to 2004)

Black material	1	DSD000030PMAP
Dark Grey material	1	DSD000030LFMP
Grey material	1	DSD000030LZDP
Green material	1	DSD000030HZPP
Blue material	1	DSD000030JZPP
Burgundy material with fleck	1	DSD000030CCVP
ZIP, rear window	1	DXR100040
SEAL, glass rear window	1	DSF000140

Used with heated glass rear window only.



REAR PLASTIC WINDOW - XPT000091PMAP1



HOOD COVER - MOHAIR COLOUR RANGE (as accurate as printing will allow).

REAR HEATED GLASS WINDOW - DSD000030PMAP



HOOD & FRAME



HOOD AND FRAME ASSEMBLY

HOOD AND BARE FRAME KIT

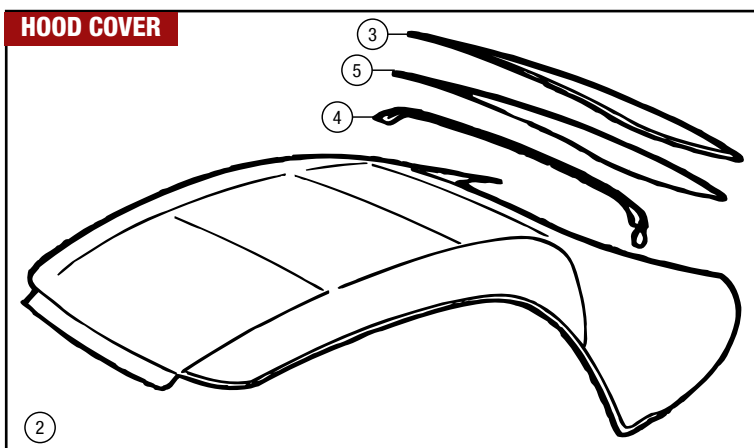
HOOD & FRAME ASSEMBLY, GREEN (NEW OLD STOCK) - DSB000330HZP

1

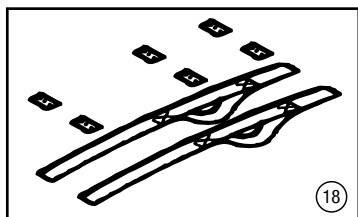
HOOD COVER



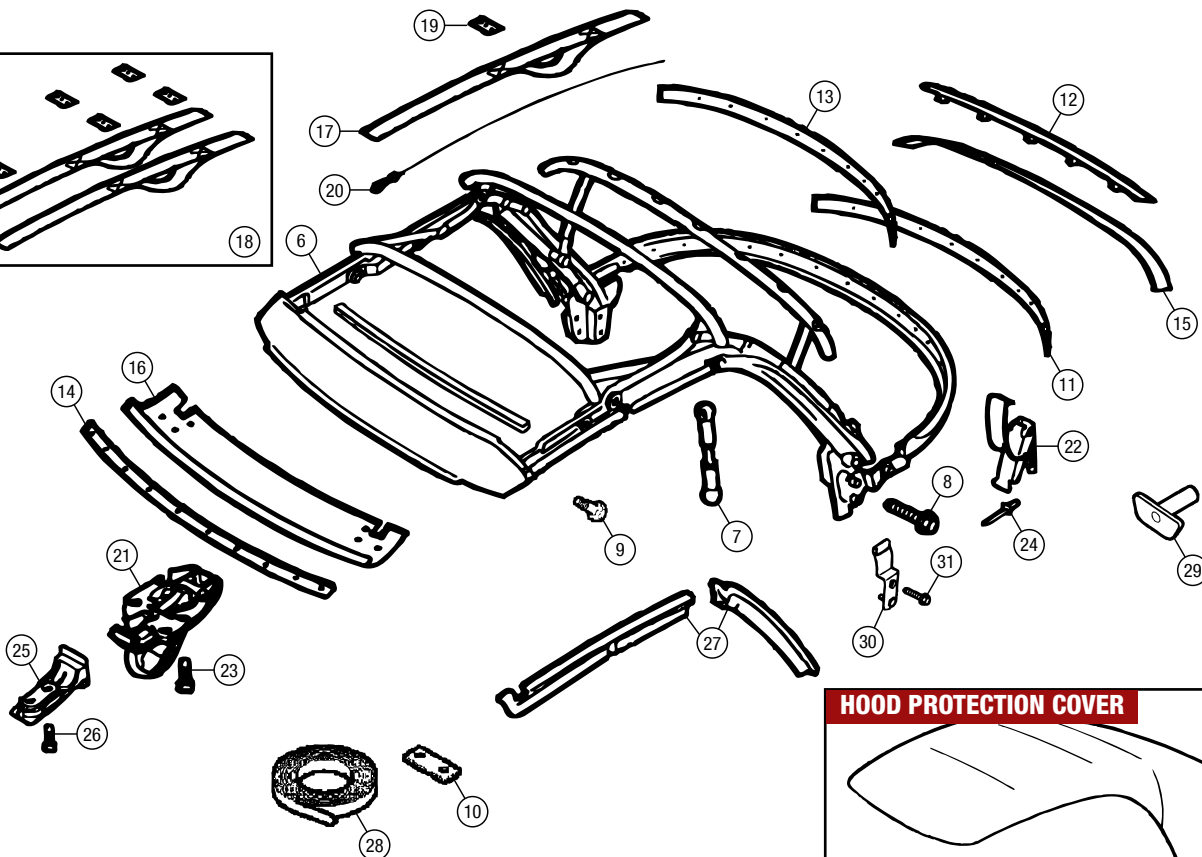
SPORTSTER MOHAIR HOOD, BLACK - DSD500010PMAK



2



18



HOOD PROTECTION COVER



32



Hood Frame

- 6 FRAME ASSEMBLY:**
 MGF to VIN WDO24604 1 **DSE100260PMAEARLY**
Pre '98 type hood frame; will only accept a pre-'98 type 4 section hood.
 MGF VIN WDO24605 on,
 MG TF to VIN 5D639630 1 **DSE100260PMA**
Post-'98 type hood frame: will not fit pre-'98 MGF (up to VIN WDO24604) unless a post-'98 type 2 section hood is also fitted.
 MG TF VIN 5D639631 on 1 **DSE000020PMA**
- 7 LINK ROD, hood frame** 2 **DJY100010**
Included in hood frame assembly.
- 8 SCREW, hood frame to body** 4 **DYP101350**
Included in hood frame assembly.
- 9 PIVOT PIN, hood frame strut** 2 **DJB100260**
Included in hood frame assembly.
- 10 SPACER, hood frame** 5 **DSZ100110**
- 11 EXTRUSION, hood retaining, rear**
 MGF, MG TF to VIN 5D639630 1 **DJO100010**
 MG TF VIN 5D639631 on 1 **DJ0000010**
- 12 INSERT, rear bow** 1 **DXI100040**
- 13 INSERT, centre bow** 1 **DXI100020**
- 14 INSERT, header rail** 1 **DXI100050**
- 15 FINISHING STRIP KIT, interior** 1 **DXS100070**
- 16 FABRIC, header rail, Black** 1 **DJX100160PMA**
- 17 ELASTIC WEBBING, hood bows**
 RH 1 **DUQ100020**
 LH 1 **DUQ100030**
- 18 UPGRADE KIT, hood webbing** 1 **DJE000010**
MG Rover developed upgrade kit.
- 19 RETAINING PLATE, webbing** 6 **DUN100230**
- 20 TENSION CABLE, hood frame** 2 **DJQ100080**
- 21 CATCH ASSEMBLY, header rail to windscreen**
 RH 1 **DXW100280PMA**
 LH 1 **DXW100290PMA**
- 22 CATCH ASSEMBLY, hood to hood well** 5 **DXW100140PMA**
- 23 SCREW, catch to header rail** 6 **SB108204**
- 24 POP RIVET, catch to rear bow** 10 **RA610185**
- 25 STRIKER, windscreen, header rail catch:**
 RH 1 **DSS100220PMD**
 LH 1 **DSS100230PMD**
- 26 SCREW, striker to windscreen** 4 **DYP10045**
- 27 SEAL, cantrail & B post:**
Originally on MGFs prior to VIN WDO24605 the cant rail seal and B post seal were separate items. The later one piece cantrail/B post seal may be used as a replacement on these cars.
 RH 1 **DSF101340PMA**
 LH 1 **DSF101350PMA**
- 28 FOAM TAPE, self-adhesive** 2 **MUC3610A**
- 29 STUD PLATE, hood frame** 2 **DYR100250**
- 30 PLATE, hard top mounting to B post:**
 RH 1 **DUN100340**
 LH 1 **DUN100350**
- 31 SCREW, plate & hood to body** 4 **KYP10004**
- 32 HOOD PROTECTION COVER:**
Note: for hood stowage cover, refer to separate section.
 MGF, MG TF to VIN 2D605986 1 **DSD100450**
 MG TF VIN 2D605987 to 4D638456 1 **DSD100451**
 MG TF VIN 4D638457 on 1 **DSD000080**
Fits over hood when up.



HOOD FRAME ASSEMBLY - DSE000020PMA



HOOD WEBBING UPGRADE KIT - DJE000010



CATCH ASSEMBLY - DXW100280PMA



HOOD FRAME SEAL - DSF101340PMA



HOOD PROTECTION COVER - DSD100450



Hood Care - Renovo

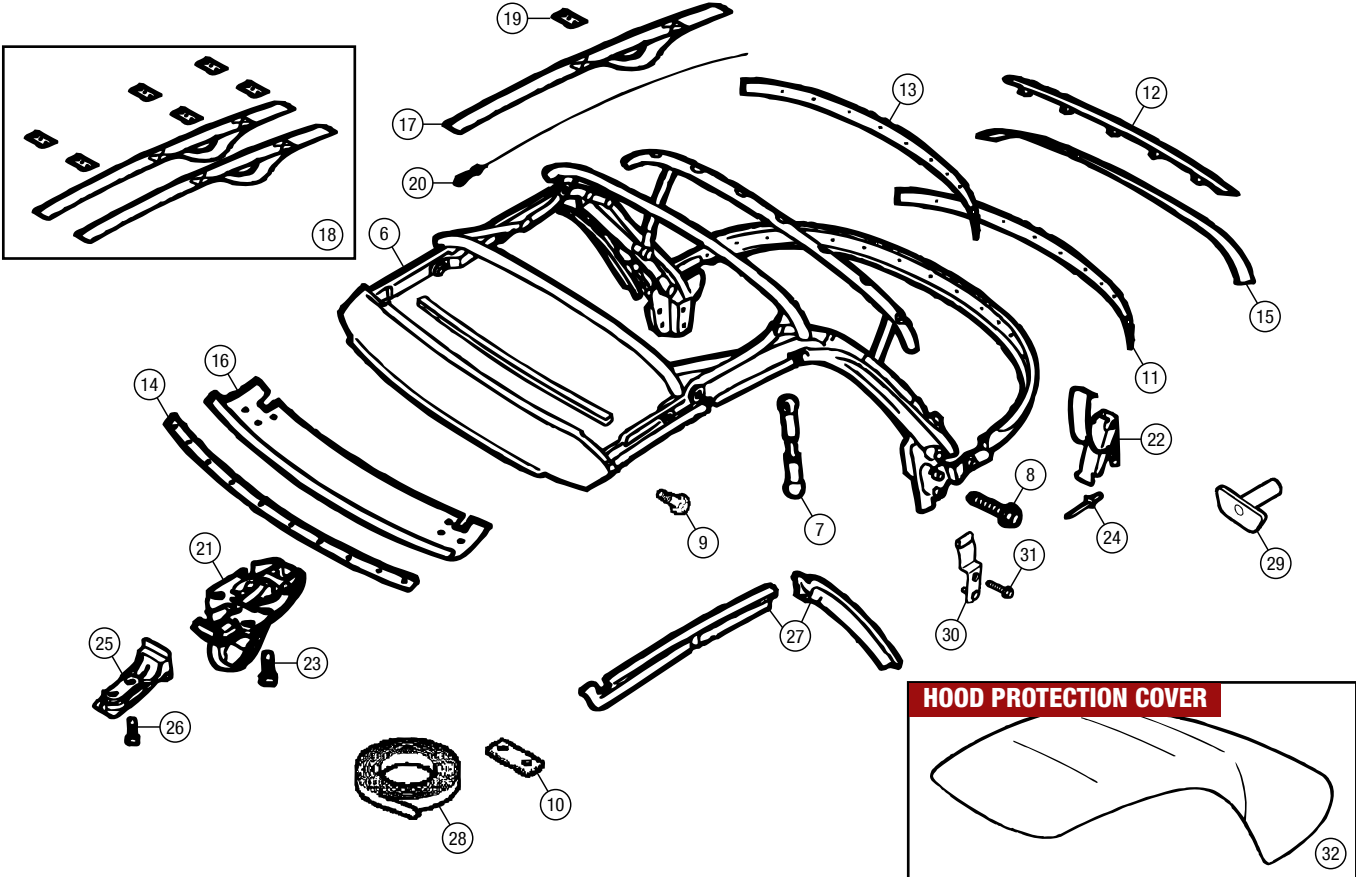
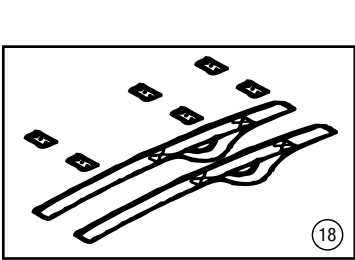
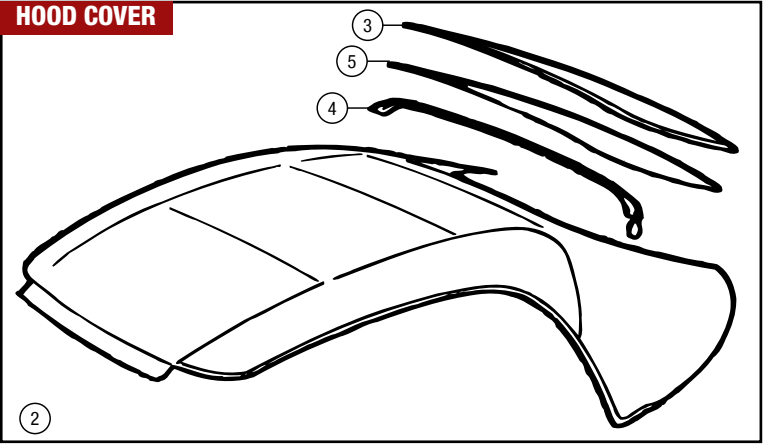
Renovo offer a range of products to clean, renovate and protect your hood cover and hood stowage cover, whether made from vinyl, canvas or mohair material:

HOOD COVER CARE, canvas or mohair:			
Dry cleaner/shampoo, 500ml	A/R		RX1530
Soft top reviver:			
500ml			
Black	A/R		RX1525BLACK
Blue	A/R		RX1525BLUE
Brown	A/R		RX1525BROWN
1 litre			
Black	A/R		RX1524BLACK
Blue	A/R		RX1524BLUE
Brown	A/R		RX1524BROWN
ultra-proofer:			
500ml	A/R		RX1527
1 litre	A/R		RX1526
plastic window polish:			
50ml	A/R		RX1531
100ml	A/R		RX1532
HOOD STOWAGE COVER CARE, vinyl:			
soft top cleaner, 500ml	A/R		RX1529
ultra-proofer, 500ml	A/R		RX1528

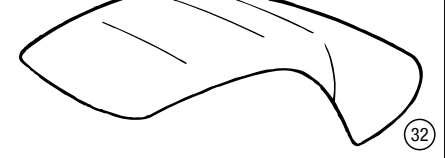
HOOD & FRAME



HOOD COVER



HOOD PROTECTION COVER



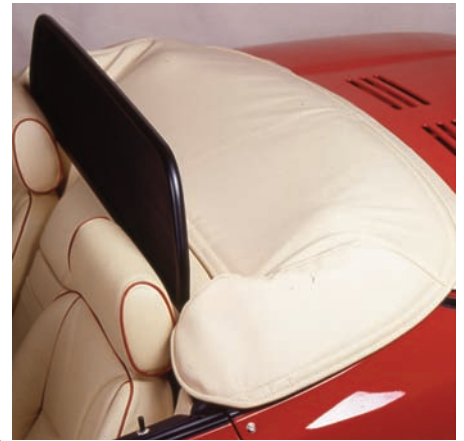


No.	DESCRIPTION	QTY REQ.	PART No.	No.	DESCRIPTION	QTY REQ.	PART No.	No.	DESCRIPTION	QTY REQ.	PART No.
-----	-------------	----------	----------	-----	-------------	----------	----------	-----	-------------	----------	----------



HOOD STOWAGE COVER, ORIGINAL FITMENT, BLACK, OEM - DSD100590PMAP1

HOOD STOWAGE COVER, ACCESSORY FITMENT, RED - RP1043RED



HOOD STOWAGE COVER, ACCESSORY FITMENT, CREAM - RP1043CREAM AND WIND DEFLECTOR - RP1502BLACK

Hood Stowage Cover

The hood stowage cover originally offered on MGFs up to 1997 was a lovely simple and clean design which attached around the rear cockpit finisher using a stretch shot cord sewn into the cover. Unfortunately in use it proved to be a bit of a frustration for the average driver to fit. The later, 1997 onwards type featured a flap along the rear edge which was secured to the car by the boot lid - not such a clean design, but certainly easier to use.

All hood stowage covers now sold are to this later design and will fit all MGFs and MG TFs, including the cars up to 1997. A choice of two ranges are offered: original fitment type in black or accessory fitment type in vinyl colours specially produced to match the other MGF and MG TF accessory interior trim and packages in this catalogue.

- 1 HOOD STOWAGE COVER, original fitment:
 - Black, OEM 1 DSD100590PMAP1
- HOOD STOWAGE COVER, accessory fitment:

Offered in colours specially produced to match MGF and MG TF accessory interior trim and packages. Made to 1997 onwards MGF and MG TF style. Please refer to the colour swatches.

 - Black 1 RP1043BLACK
 - Grey 1 RP1043GREY
 - Light Stone Beige 1 RP1043BEIGE
 - Biscuit 1 RP1043BISCUIT
 - Cream 1 RP1043CREAM
 - British Racing Green 1 RP1043BRG
 - Blue 1 RP1043BLUE
 - Red 1 RP1043RED

Wind Deflector

Fitting snugly behind the seats, a wind deflector really does work, effectively reducing buffeting when the hood is down. Easy to fit and remove; alternatively may be folded down when not in use.

Note genuine MG Rover item requires drilling to install, aftermarket version requires no drilling. Both are compatible with hood stowage covers, but not with roll hoops.

- WIND DEFLECTOR:
 - genuine MG Rover accessory 1 VUQ100280
 - aftermarket accessory type
 - Features leather-bound frame in choice of colours matching our other accessory interior trim and packages.
 - with Black frame 1 RP1502BLACK
 - with Grey frame 1 RP1502GREY
 - with Light Stone Beige frame 1 RP1502BEIGE
 - with Biscuit frame 1 RP1502BISCUIT
 - with Cream frame 1 RP1502CREAM
 - with B.R. Green frame 1 RP1502BRG
 - with Blue frame 1 RP1502BLUE
 - with Red frame 1 RP1502RED
 - glass type, folding 1 RP1502G
 - Toughened glass.
- STORAGE BAG WIND DEFLECTOR 1 RP1640

Roll Hoops

The original MG Rover roll hoops are now no longer available. We now offer an aftermarket range of roll hoops to compliment your MGF or MG TF.

Available in black, silver or chrome finishes, the hoops are also supplied with a fitting kit and folding, toughened glass wind deflector that fits across the hoops. See photos on opposite page

- ROLL HOOP KIT:
 - black 1 RP1020B
 - silver 1 RP1020S
 - chrome 1 RP1020C



WIND DEFLECTOR, BEIGE - RP1502BEIGE

Hood Stowage Cover Fixings

- 2 STUD, cover to rear bulkhead finisher ("T bar"), centre 1 HYR10002
- 3 STUD, cover to rear bulkhead finisher ("T bar"), outer, shouldered 2 EYR000050
- 4 SCREW, hood cover stud 3 AB606143
- 5 STUD, cover to B post 2 HYR10002
- 6 RIVET, stud to B post:
 - early alternative 2 DYQ10013
 - later alternative 2 DYQ000100



WIND DEFLECTOR - RP1502BLACK



WIND DEFLECTOR - RP1502G



STORAGE BAG WIND DEFLECTOR - RP1640



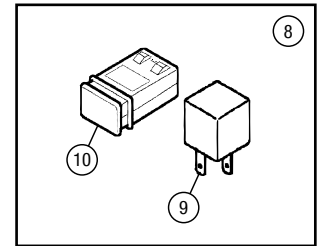
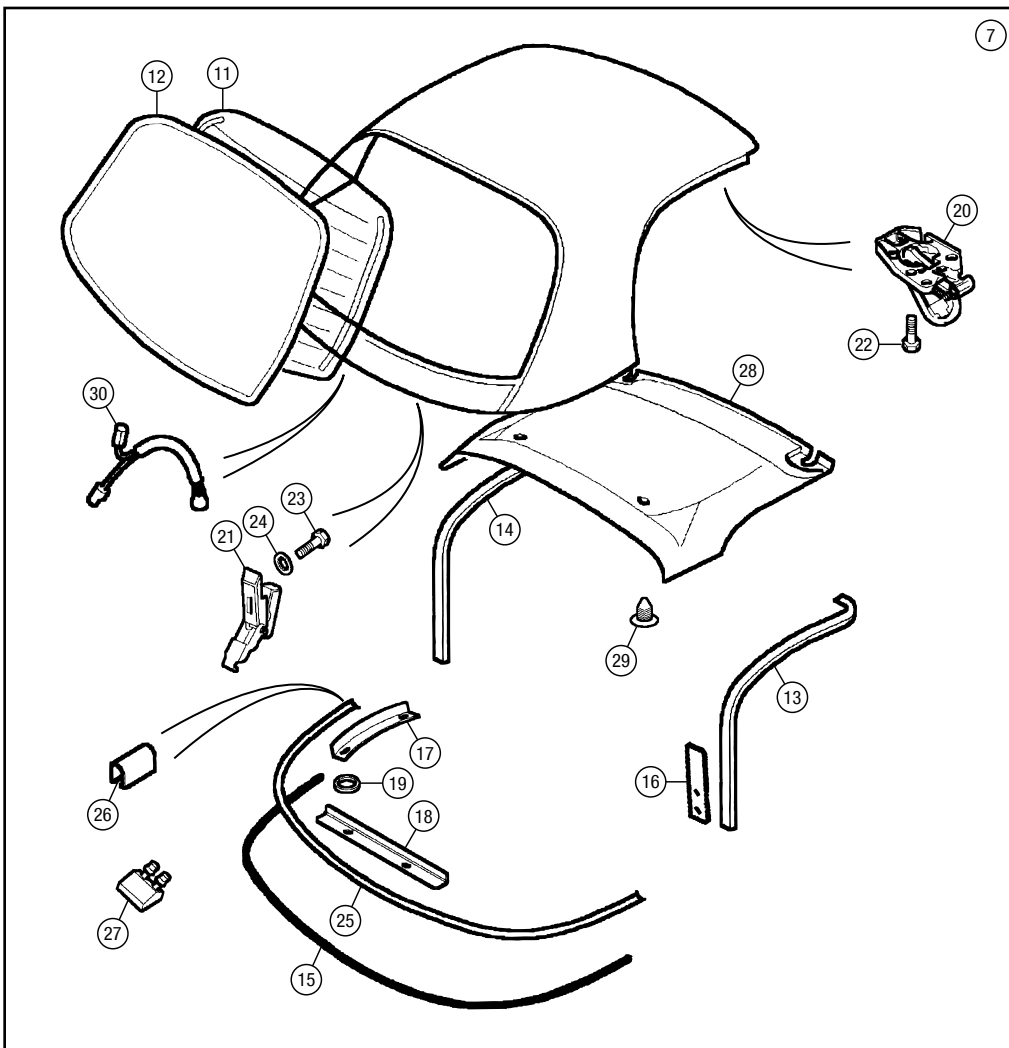
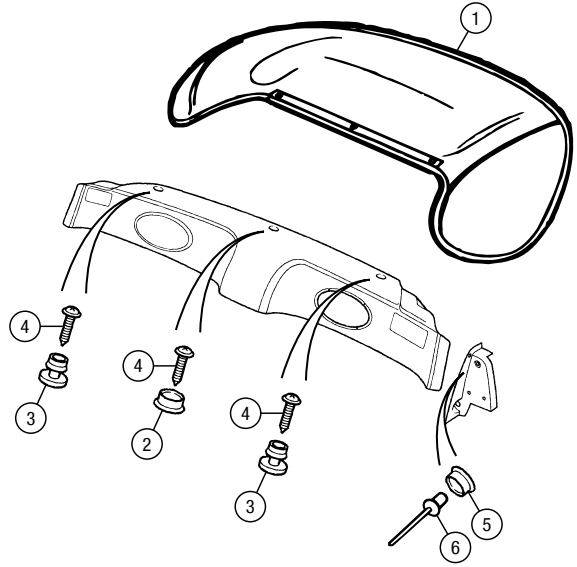
ROLL HOOP KIT, BLACK - RP1020B



ROLL HOOP KIT, SILVER - RP1020S



ROLL HOOP KIT, CHROME - RP1020C



**HOOD STORAGE COVER
COLOUR RANGE**
(as accurate as printing will allow).





HOOD STOWAGE COVER, HARDTOP

No. DESCRIPTION QTY REQ. PART No.

Heritage Hardtop Assembly

The classically styled Heritage hardtop evokes images from the great days of MG. Sleek, stylish and secure, it makes the MGF and MG TF equally at home for high speed continental touring or daily commuting. Crafted and designed with the approval of the MG's original designer, it uniquely incorporates the two bonnet and boot lid feature lines and is further identified with MG Octagons on the B posts.

The exterior is finished in black gel coat ready to fit or paint to your individual requirements if required, while the interior features an Ambla headlining. Optional headlinings are also available to special order, as listed below. The hardtop has a heated glass rear window as standard and secures using the standard factory fitted latch points.

- 7 HARDTOP ASSEMBLY, Black**
Heritage hardtop, with roof feature lines.
with Ambla headlining **1 HMP118099AMB**
with Black leather headlining **1 HMP118099BLK**
with Grey leather headlining **1 HMP118099GRY**
with Light Stone Beige leather headlining **1 HMP118099LSB**

Hardtop Storage

Of course, you need to take care of your hardtop when it is not fitted to the car. Simply leaving it on the floor with a blanket over it for several months may result in "spreading" of the GRP moulding around the B post areas, making refitting to the car more difficult in future. These hanger brackets and cover ensure safe storage for your hardtop during the (hopefully, long) summer months, allowing it to be stowed correctly on a garage wall or similar and protected from accidental paint damage and dirt accumulation.

- WALL HANGER BRACKET SET, hardtop (see photo) **1 VUB101340P**
- STORAGE COVER, hardtop (see photo) **1 VUK100030PMA**



HARD TOP STORAGE COVER - VUK100030PMA



HARDTOP WALL HANGING BRACKET SET - VUB101340P



Hardtop & Hood Electrics - Heated Rear Window

If your car is pre-2005 and has not been fitted with a hardtop before (or if you wish to fit a hood with a heated glass rear window), you will also need to fit a switch and a relay in order to be able to operate the heated rear window. This is not a difficult task with the correct items to hand - you will need a relay and heated rear window switch (conveniently available together as an installation kit, which also includes illustrated instructions). The wiring, connector plugs and relay socket are already fitted, so no wiring conversion will be required.

2005 on MG TFs already have the switch and relay fitted (albeit a different, smaller relay) in order to operate the heated glass rear window in the hood.

- 8 INSTALLATION KIT, heated rear window:**
Only required on MGFs, plus MG TFs prior to VIN 5D6396310 (prior to 2005). Includes instructions, relay and switch.
MGF to VIN XD511058 **1 VUB000090E**
MGF VIN XD511059 on, MG TF to VIN 5D639630 **1 VUB000090L**
- 9 RELAY, heated rear window**
MGF, MG TF to VIN 5D639630 **1 YWB10012L**
MG TF VIN 5D639631 on **1 YWB000440**
- 10 SWITCH, heated rear window:**
MGF to VIN XD511058 **1 YUG101480PMA**
MGF VIN XD511059 on, MG TF **1 YUG102570PMP**

Hardtop Components

Door Window Adjustment

When fitting a hardtop manufactured prior to 1998 (to VIN WD027768), please be aware that a slight, one-time alteration to the door glass stop settings will probably be required to ensure full and correct sealing between the door glasses and the hardtop. This does not affect sealing between the door glasses and hood, so the settings will not have to be adjusted again if or when the hard top is removed.

Note that MGFs built prior to VIN WD037078 (again, 1998) originally had different door glass stops to the fully adjustable items found on later cars. Adjusting the door glasses is much easier if the later stops are fitted (available as an uprated kit, RP1496, 2 required per car - see 'Body Fittings - Doors').

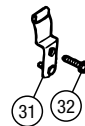
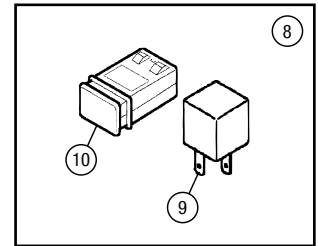
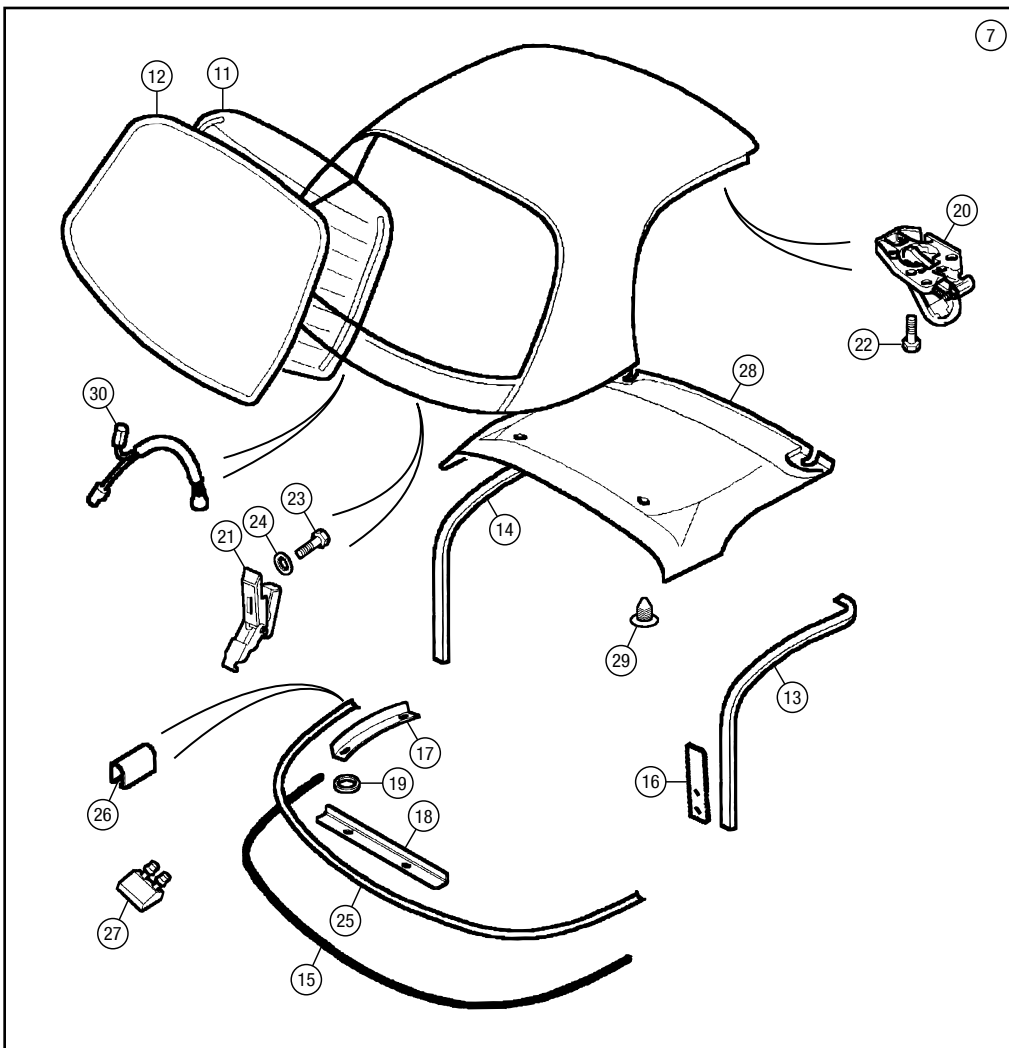
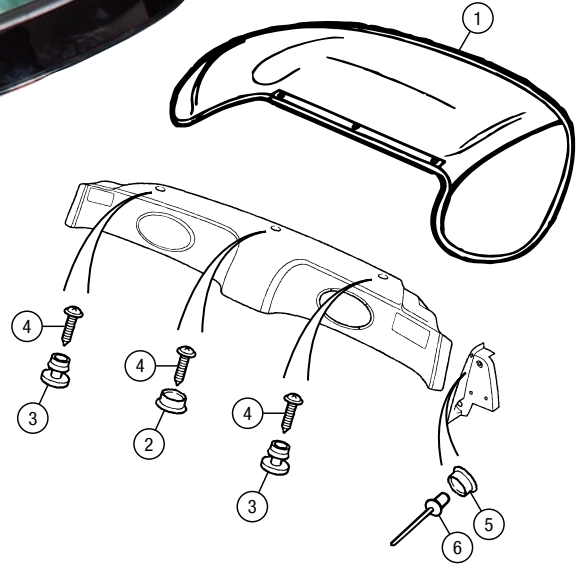
Hardtops manufactured after 1998 feature improved seals, extra seal spacers and adjustable hood well catches. Requirement to adjust the door windows to match these later hardtops is not so common.

An early hardtop, immediately identifiable by its non-adjustable hood well catches, may be rebuilt to the later specification by fitting the later components listed here. While it will definitely benefit from improved all-round sealing, it must be stressed that this doesn't entirely rule out the possibility of door window adjustment to obtain a perfect fit.

All of the above comments are relevant to both the MG Rover and Heritage hardtops.

- 11 REAR WINDOW GLASS, hardtop** **1 CQB101190**
- 12 GLAZING SEAL, rear window** **1 CDB100190**
- 13 SEAL, hardtop to door glass, RH**
MGF to VIN YD531764 **1 DSF101280PMD**
MGF VIN YD531765 on, MG TF **1 DSF000060PMD**
- 14 SEAL, hardtop to door glass, LH**
MGF to VIN YD531764 **1 DSF101290PMD**
MGF VIN YD531765 on, MG TF **1 DSF000070PMD**
- 15 SEAL, hardtop to hood well:**
MGF to VIN WD027767 **1 DSF101140PMD**
MGF VIN WD027768 on, MG TF **1 DSF101300PMD**
- 16 SPACER, B post, door glass seal** **2 DSZ100170**
MGF VIN WD027768 on, MG TF
- 17 SPACER, corners, hood well seal** **2 DSZ100150**
MGF VIN WD027768 on, MG TF
- 18 SPACER, cantrail, hood well seal** **1 DSZ100160**
MGF VIN WD027768 on, MG TF
- 19 WASHER, fibre** **4 EAM6543**
MGF VIN WD027768 on, MG TF
- 20 CATCH ASSEMBLY, hardtop to windscreen:**
RH **1 DXW100280PMA**
LH **1 DXW100290PMA**
- 21 CATCH ASSEMBLY, hardtop to hood well**
MGF to VIN WD027767 **2 DXW100040PMA**
Non-adjustable type.
MGF VIN WD027768 on, MG TF **2 DXW100200PMA**
Adjustable type.
- 22 SCREW, windscreen catch** **6 SB108204**
- 23 SCREW, hood well catch**
MGF to VIN YD531764 **2 SH105251**
MGF VIN YD531765 on, MG TF **4 SH105251**
- 24 WASHER, starlock** **2 WF105001L**
- 25 MOULDING, rear lower edge, black:**
The later moulding may be used to replace the earlier item. Note that it does not require the two finishers (item 26) used with the early moulding.
MGF to VIN WD027767 **1 DSJ100420PMD**
MGF VIN WD027768 on, MG TF **1 DSJ100490PMD**
- 26 FINISHER, lower edge moulding** **2 DSJ100500PMD**
MGF to VIN WD027767.
If unavailable, use later edge moulding DSJ100490PMD which does not require these finisher end caps.
- 27 BLOCK, spacer** **2 DJU100010**
- 28 HEADLINING, hardtop:**
MG Rover hardtop only.
MGF to VIN YD531764 **1 EDB102630LUM**
MGF VIN YD531765 on, MG TF **1 EDB000400LUM**
- 29 CLIP, headlining securing** **2 DYC101460**
- 30 HARNESS, heated window** **1 YMT100030**
- 31 PLATE, hard top mounting to B post:**
Not included in hardtop assembly.
RH **1 DUN100340**
LH **1 DUN100350**
- 32 SCREW, plate & hood to body** **4 KYP10004**
Not included in hardtop assembly.

HERITAGE HARDTOP
ASSEMBLY,
HMP118099AMB



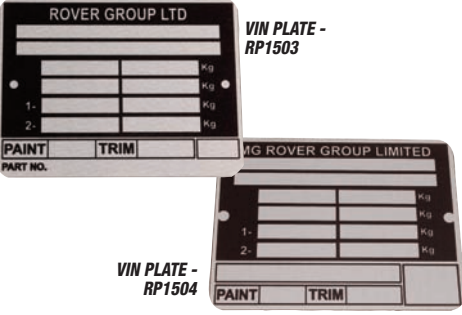


VIN PLATES, LABELS & PAINT

No. DESCRIPTION QTY REQ. PART No.

VIN Plates

Table with 3 columns: Qty, Description, Part No. Rows for 'Rover Group' (RP1503) and 'MG Rover Group' (RP1504).



No. DESCRIPTION QTY REQ. PART No.

Under Bonnet Labels

Table with 3 columns: Qty, Description, Part No. Rows for coolant warning, airbag warning, air conditioning service data, E mark, and Spacesaver spare wheel warning.

No. DESCRIPTION QTY REQ. PART No.

Body Labels

Table with 3 columns: Qty, Description, Part No. Rows for fuse location, tyre data, alarm system, and fuel caution labels.

TOUCH UP PAINT

PLEASE NOTE! Shipping restrictions apply to paint: UK Mainland - can only be shipped by carrier (not post). UK Islands/Rest of World - can not be exported due to it's 'hazardous' nature.



Touch Up Paint

BODYWORK COLOURS

Table with 3 columns: Qty, Description, Part No. Rows for Touch Up Paint Kit - Aerosol and Touch Up Paint Kit - Pencil, listing various colors like Nightfire Red, Mulberry Red, etc.

14 TOUCH UP PAINT KIT - AEROSOL (standard colour):

Table with 3 columns: Qty, Description, Part No. Rows for various touch up paint kits like CAQ (Nightfire Red), CBT (Nightfire Red), etc.

On the MG TF a Monogram option was offered, in which the customer could choose from an entirely different range of colours (some very eye-catching indeed, the best known being Biomorphic Green, which changes colour from different viewpoints).

Table listing Monogram colours with columns for code and name, such as IAA Spectre, IAB Typhoon, etc.

Each standard colour paint touch up kit includes both base colour and top coat laquer, in either pencils or aerosol cans.

General Paint

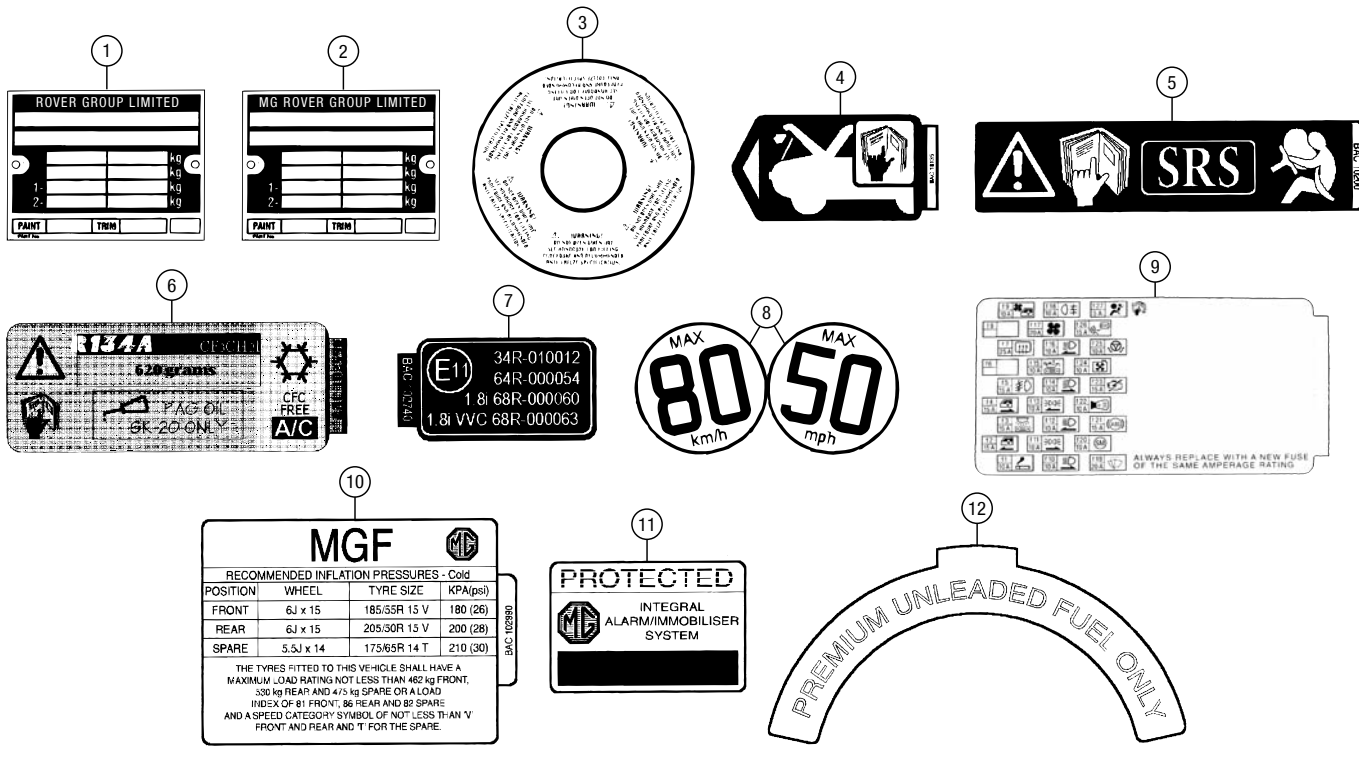
Table with 3 columns: Qty, Description, Part No. Rows for general application aerosols like Black, high gloss (500ml), etc.

Table with 3 columns: Qty, Description, Part No. Rows for primer aerosols like White, double acrylic (400ml), etc.

Table with 3 columns: Qty, Description, Part No. Rows for engine/exhaust very high temperature paint like Black, aerosol (400ml), etc.

ROAD WHEEL COLOUR

Table with 3 columns: Qty, Description, Part No. Rows for road wheel colours like MNH (Silver Sparkle), etc.



PAK100380A



BAC10135



BAC10200A



BAC102590



RRP100120



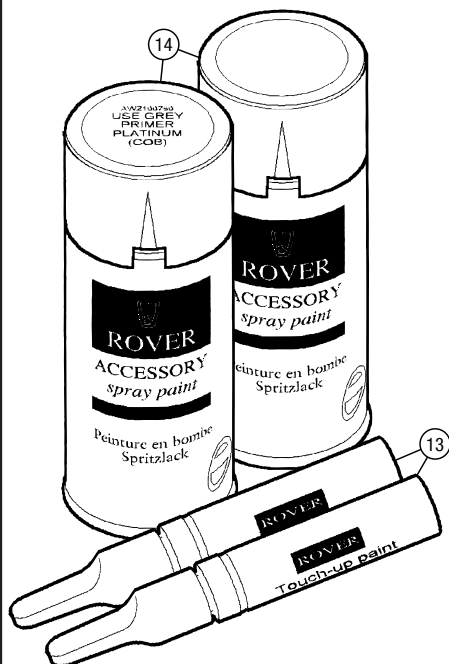
BAC102740



BAC102710



BAC00621



WLE100250



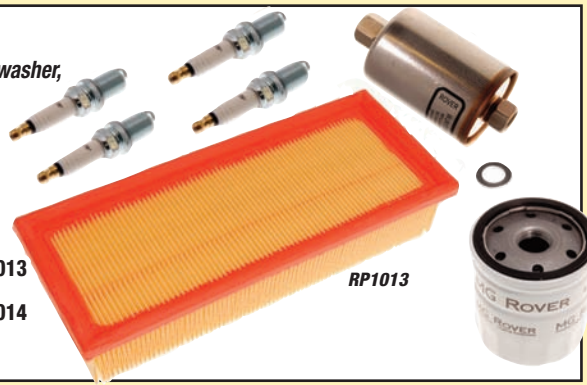
ENGINE SERVICE KIT

Includes air filter, oil filter, drain plug washer, fuel filter and four spark plugs. Two kits cover all models. Available with either original or aftermarket parts.

ENGINE SERVICE KIT;
up to VIN YD522572
Not plug top coil type ignition.
from VIN YD522573 on
With plug top coil type ignition.

RP1013

RP1014



CAMSHAFT LOCKING TOOL

This tool is essential for locking the camshaft gears together (and thus the camshafts), with their timing marks aligned, when carrying out timing belt replacement - see workshop manual for details.

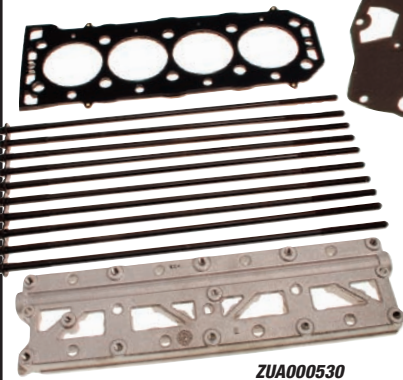
CAMSHAFT LOCKING TOOL

18G1570P



STRENGTHENED OIL RAIL SET

Developed for the EU4 compliant version of the K-series, the strengthened oil rail improves the torsional rigidity of the engine by strengthening the clamping of the cylinder head. Strongly recommended for solving head gasket failure problems on the K Series engine.



ZUA000530

STRENGTHENED OIL RAIL SET:

EU4 type

Strengthened oil rail plus multi-layer steel head gasket set.

ZUA000080

SAIC type

Latest design strengthened oil rail, plus multi-layer steel head gasket and bolts.

ZUA000530

ZUA000080

WATER LEVEL SENSOR KIT



Getting a warning that the coolant level is dropping is so valuable, allowing the driver to act and rectify the situation before overheating (or head gasket failure) occurs. That's why MG Rover saw fit to introduce a coolant level sensor on the MG TF in 2004. Now, owners of MGFs and pre-2004 MG TFs can enjoy the same protection and peace of mind by fitting this sensor kit. Containing all the parts required, the kit may be simply fitted in a couple of hours and provides a choice between a warning buzzer or light as the means of alerting the driver.

WATER LEVEL SENSOR KIT

PCF000142SK

MGF/TF UNIVERSAL ENGINE OIL COOLER KIT



Fitting an engine oil cooler offers peace of mind if your engine is worked hard, or your car is used in a hot climate. The kit includes oil cooler, thermostat, fittings and instructions.

OIL COOLER KIT, inc thermostat

RP1531

SUMP DRAIN PLUG



This revolutionary system has been developed to allow you to perform an oil change easily without any of that unnecessary mess.

AS USED BY CURRENT MAJOR MANUFACTURERS

STAHLBUS, SUMP DRAIN PLUG LSF1000400BV

The Stahlbus oil drain valve replaces the existing drain plug. When changing the oil, you simply unscrew the dust cap and lock the quick release bayonet adaptor into place by hand. Once this is locked, the valve opens and the oil can be drained into an appropriate container using the hose provided. Upon disconnecting the hose adaptor, the valve closes immediately. Simply replace the dust cap and the engine is ready to be refilled with oil.

LARGE THROTTLE BODY - ALLOY

This alloy throttle body is a 52mm dia high performance unit which may be used as an upgrade on all engines usually fitted with the standard 48mm dia throttle body, offering improved throttle response and power.



THROTTLE BODY ASSEMBLY, 52mm (alloy) MHB000261

ADJUSTABLE FUEL PRESSURE REGULATOR



Adjustable power boost valve, providing improved throttle response, removal of flat spots, better acceleration and improved overall engine performance through its ability to quickly restore fuel rail pressure during periods of heavy demand.

ADJUSTABLE FUEL PRESSURE REGULATOR RP1031

OIL DRIP TRAY



OIL DRIP TRAY, 635mm x 1200mm

GAC9905X

K&N AIR FILTERS



PHE100421KN

K&N REPLACEMENT ELEMENT

Up to VIN YD522572 (to 2000).
Replaces standard air filter element.

K&N 571 INDUCTION KIT:

Replaces standard air cleaner assembly.
Increases power and torque by up to 10%.

MGF (not Trophy)
MGF Trophy, MG TF
K&N CLEANING FLUID, 1 litre
K&N ELEMENT OIL:

57cc sachet
250ml bottle
400ml aerosol

PHE100421K-N

RP1026

RP1027

RX1346

RX1347

RX1348

RX1349



RX1346



RX1349



RX1348



RX1347



RP1026

STAINLESS STEEL COOLANT PIPES

Durable alternatives to mild steel pipes.



PEP102470SS

UNDERFLOOR COOLANT PIPES ASS'Y:

manual
automatic

PEP102470SS

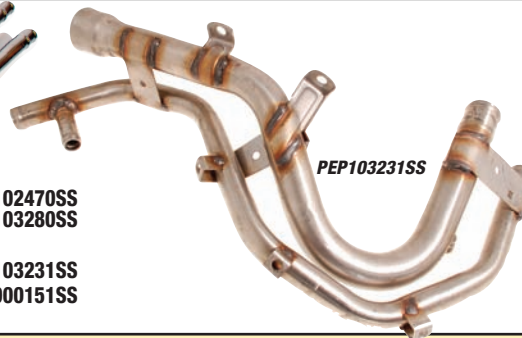
PEP103280SS

ENGINE COOLANT PIPES ASS'Y

models without factory fitted oil cooler
models with factory fitted oil cooler

PEP103231SS

PEP000151SS



PEP103231SS

UPRATED GEAR CHANGE CABLE KIT



Upgrades MGF gearchange to improved
MG TF specification.

Kit includes gearchange cable and bellcrank lever.

UPRATED GEARCHANGE CABLE KIT

MGF models

ULS100071UR

MGF SILICONE HT LEAD SET



RP1037K

MEMS 1.9 ENGINE MANAGEMENT

Fits MGF Manual (not VVC) to VIN YD522572 (i.e. cars with MEMS 1.9 engine management). Superior Lumenition Performance leads.

LUMENITION SILICONE HT LEADS:

complete set of 5
set of 4 plug leads only
coil lead only

RP1037K

RP1037

RP1038

STARTER MOTOR HEAT SHIELD



Multi-purpose heat shield can be used to protect
starter motor from radiated heat.

Easily cut to shape, attaches with velcro. 7" wide x 24" long.

HEAT SHIELD, starter motor

RX1470

SUSPENSION BALL JOINT SOCKET



SUSPENSION BALL JOINT SOCKET

18G1341B

MGF LOWERING KNUCKLE SET



Special knuckle joints
to lower ride height by 30mm.
Available (and must be fitted in) in car set of four,
or individually for service replacement.
Once fitted, car will require front and rear wheel
alignment check and adjustment.

Not for use with Suplex coil spring kit.

MGF LOWERING KNUCKLE SET:

car set of four

RP1484

ORDER

BY PHONE: 01522 568000 / ON LINE: www.rimmerbros.co.uk / E-MAIL: mgrover@rimmerbros.co.uk



MGF SUPLEX COIL SPRING KIT



The Hydragas suspension on the MGF very successfully blends tight, sports car handling with a comfortable ride. It has never, however, been a cheap system to service or repair and owners without access to the special pump required to charge and discharge the suspension with Hydralastic fluid are effectively excluded from doing much of the work themselves. Add to that the fact that availability of some of the critical components has recently become patchy (to say the least) and it doesn't take long to work out that there are MGFs out there being kept off the road by Hydragas suspension system faults. Now, from Germany comes a great solution to the problems of Hydragas suspension. The Suplex MGF Suspension Kit, designed and manufactured to be fitted as a complete system, replaces the original Hydragas displacers and shock absorbers with new coil spring units (utilising the original pressed steel Hydragas mounting plates) and new matching shock absorbers. The kit provides handling and ride characteristics somewhere between that of the MGF and the firmer, sportier ride of the coil sprung MG TF. Fitting the kit is within the capability of an owner who is competent and familiar with working on many aspects of their car beyond simple servicing, and who has a comprehensive selection of tools and good working facilities. The kit includes four spring units (front and rear), four non-adjustable shock absorbers and comprehensive fitting instructions. Note that while the spring units are adjustable, this feature is really intended as a fitting aid and not as a means of altering the ride height of the car. Note also that the Suplex kit is not suitable for cars with lowered suspension knuckle joints.

SUPLEX COIL SPRING SUSPENSION KIT

RP1205

MGF UPRATED SHOCK ABSORBER KITS

GAZ UPRATED SHOCK ABSORBER KIT, FRONT AND REAR (set of 4) RP1171GAZ
Hydragas suspension - not for use with Suplex coil spring kit.
Oil-filled, on-car adjustable.



SPAX KSX UPRATED SHOCK ABSORBER KIT, FRONT AND REAR (set of 4) RP1171SPAX
Hydragas suspension - not for use with Suplex coil spring kit.
28-stage, on-car adjustable, Krypton gas pressurized.
TUV approved.



GAZ UPRATED SHOCK ABSORBER KIT, FRONT PAIR RP1023GAZ
Hydragas suspension - not for use with Suplex coil spring kit.
Oil-filled, on-car adjustable.



SPAX KSX UPRATED SHOCK ABSORBER KIT, FRONT PAIR RP1023SPAX
Hydragas suspension - not for use with Suplex coil spring kit.
28-stage, on-car adjustable, Krypton gas pressurized.
TUV approved.



GAZ UPRATED SHOCK ABSORBER KIT, REAR PAIR RP1023GAZ
Hydragas suspension - not for use with Suplex coil spring kit.
Oil-filled, on-car adjustable.



SPAX KSX UPRATED SHOCK ABSORBER KIT, REAR PAIR RP1023SPAX
Hydragas suspension - not for use with Suplex coil spring kit.
28-stage, on-car adjustable, Krypton gas pressurized.
TUV approved.



MG TF UPRATED SHOCK ABSORBER KITS

SPAX KSX UPRATED SHOCK ABSORBER KIT, FRONT AND REAR (set of 4) RP1172SPAX
28-stage, on-car adjustable, Krypton gas pressurized.
TUV approved.



SPAX KSX UPRATED SHOCK ABSORBER KIT, FRONT PAIR RP1024
28-stage, on-car adjustable, Krypton gas pressurized.
TUV approved.



SPAX KSX UPRATED SHOCK ABSORBER KIT, REAR PAIR RP1025
28-stage, on-car adjustable, Krypton gas pressurized.
TUV approved.



MG TF COMFORT HANDLING PACK



If you have an MG TF built before 2005 (i.e. up to VIN 5D639630) and you find the handling superb - which it is - but the ride a bit too jittery and uncomfortable, this package is for you! Developed by MG Rover suspension engineers working together with the renowned Bilstein company, the Comfort Handling Pack replaces the standard shock absorbers with four premium quality Bilstein units specifically designed for the TF model. Tried and tested by many MG owners, feedback from them confirms that the Comfort Handling Pack removes the harshness from the MG TF's ride - and provides a very noticeable improvement in handling, too.

MG TF COMFORT HANDLING PACK
MG TF up to VIN 5D639630. Includes four Bilstein shock absorbers.

RP1175



MG TF UPATED SHOCK ABSORBER & SPRING KITS



UPATED SHOCK ABSORBER AND SPRING KIT, SPAX KSX/XPOWER PRO EIBACH KIT RP1174
 Combines 28-stage, on-car adjustable, Krypton gas pressurized Spax KSX shock absorbers with MG XPower PRO specification Eibach progressive rate lowered (-20-25mm) springs in one cost-effective package. Vehicle set, contains front and rear uprated shock absorbers plus front and rear uprated and lowered springs.



EIBACH SPRING KIT RP1173XP
 MG XPower PRO specification Eibach lowered (-20-25mm) progressive rate springs. Ride quality is preserved whilst improving body control and roll. Vehicle set, contains 2 front and 2 rear uprated springs.

Polyurethane Bush Kits

Polyurethane bushes offer a significant improvement over traditional rubber bushes. Improved ride and handling, together with reduced road noise and vibration. Polyurethane bushes can also offer increased durability. We offer top quality polyurethane bush kits as well as the Polybush brand bush kits. Bush kits are supplied with a lubricant to aid installation. Individual bushes can be also purchased separately - refer to relevant section under MGF or MG TF suspension headings.

MGF POLYURETHANE BUSH KITS

MGF Front Bush Kit

Includes bushes for front lower arms and front anti-roll bar mounting. Car set.

Note: bushes for the front anti-roll bar links are not included and can be purchased separately (RBM100101-11POLY).



MGF Rear Bush Kit

Includes bushes for rear lower arms (inner & outer), tie bar (eye & location) and rear anti-roll bar (links & mountings). Car Set.



MGF Front & Rear Bush Kit

Includes both bush kits as listed above. Car set.



MG TF POLYURETHANE BUSH KITS

MG TF Front Bush Kit

Includes bushes for front lower arms and front anti-roll bar mounting. Car set.

Note: bushes for the front anti-roll bar links are not included and can be purchased separately (RBM100101-11POLY).



MG TF Rear Bush Kit

Includes bushes for rear trailing arm to body, rear short trailing link (outer only) and rear anti-roll bar mountings.

Note: bushes for rear short trailing link (inner bush) are not included and can be purchased separately (RGD000571POLYINNER).



MG TF Front & Rear Bush Kit

Includes both bush kits as listed above. Car set.



ORDER

BY PHONE: 01522 568000 / ON LINE: www.rimmerbros.co.uk / E-MAIL: mgrover@rimmerbros.co.uk



SPORTS EXHAUST COMPONENTS

SPORTS EXHAUST MANIFOLD & LINK PIPE RP1562

4 into 2 into 1 performance stainless steel tubular exhaust manifold. Couples directly to catalytic. Fits all models excluding vehicles fitted with air conditioning or fitted with PRT thermostat.

SPORTS CATALYTIC CONVERTER:

Free-flow design for increased horsepower and torque.

to VIN YD522572 (to 2000) **WAG103651SPORT**
VIN YD522573 on (2000 on) **WAG000671SPORT**

CATALYST REPLACEMENT PIPE:

For increased horsepower and torque. Stainless steel (inc flanges) for durability. Will not pass UK MOT test.

to VIN YD522572 (to 2000) **RP1058**
VIN YD522573 on (2000 on) **RP1563**

SPORTS REAR SILENCER/TAILOPIPES:

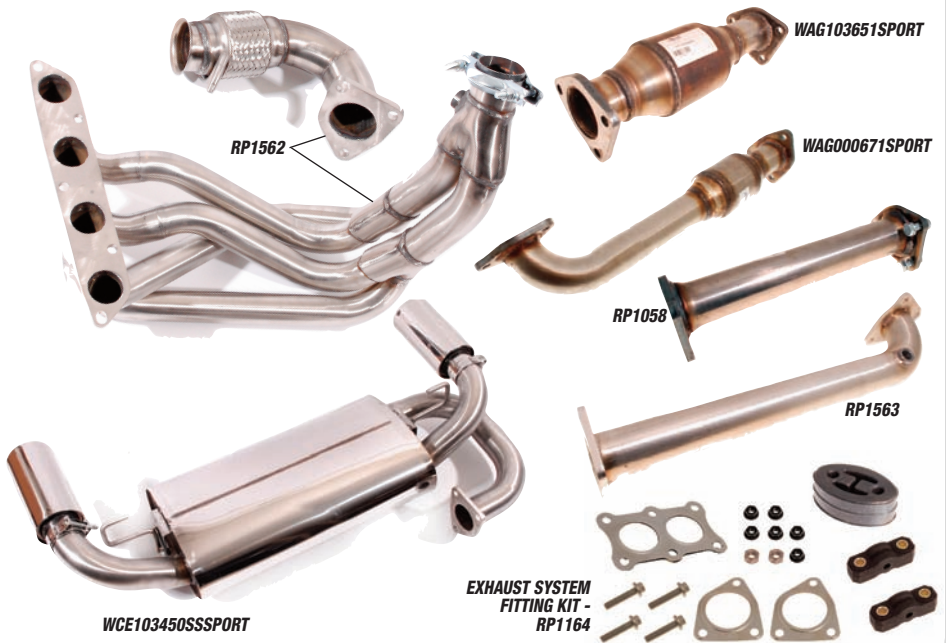
Performance, free-flow silencer with sporty tone, XPower Thruflow spec. Stainless steel. 3 1/2" dia internal roll, round tail pipes.

to VIN YD522572 (to 2000) **WCE103450SSSPORT**
VIN YD522573 on (2000 on) **WCG000550SSSPORT**

FITTING KIT, exhaust system:

Each kit includes: manifold to downpipe gasket (4 or 6 stud type, depending on kit), catalytic converter gaskets, downpipe and rear silencer mounting rubbers, plus screws and nuts for complete system (not including manifold to cylinder head nuts).

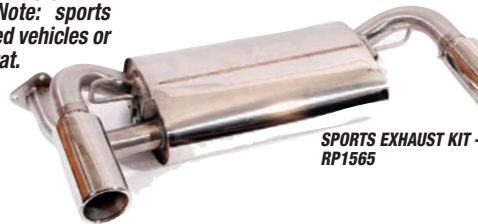
to VIN YD522572 (4 stud fixing) (to 2000) **RP1163**
VIN YD522573 on (6 stud fixing) (2000 on) **RP1164**



SPORTS EXHAUST KITS

Our sports exhausts kits include sports tubular manifold, link pipe, sports rear silencer and exhaust system fitting kit, offering a saving over purchasing the items separately.

Sports catalytic or cat replacement pipe are sold separately, if required. Note: sports manifold will not fit air conditioned vehicles or vehicles fitted with PRT thermostat.



SPORTS EXHAUST KIT - RP1565

SPORTS EXHAUST KIT, full system:

to VIN YD522572 (to 2000) 1 **RP1564**
VIN YD522573 on (2000 on) 1 **RP1565**

REAR SILENCER MESH COVER



RP1561

MESH SILENCER COVER
Stainless steel.

RP1561

TAILPIPE FINISHER TRIM



SPORTS FINISHER TRIM ONLY, oval
Clamp on. Fits over existing oval tailpipe.
Sold each, 2 required.

DUB100620

EXHAUST MANIFOLD INSULATION WRAP

Thermo-Tec Insulating Wrap gives safety with performance.

Tubular manifolds, by design, produce a vast amount of heat in the engine compartment. This increases the possibility of electrical/ignition components not working effectively and promotes a higher risk of fire (if any combustible material comes in to contact with the manifold), not to mention the likelihood of severe burns when working on the engine!

By wrapping your tubular manifold with Thermo-Tec insulating wrap you can overcome all these risk factors. Thermo-Tec keeps the heat within the manifold so the exhaust gases have a much higher velocity, this induces negative pressure (scavenging) which increases air intake flow, resulting in better performance & economy. It also reduces under bonnet exhaust noise.

Technical Notes:

Thermo-Tec heat wrap - which is race & rally proven - comes in rolls 2" wide x 50ft long and moulds to the contours of the manifold. Being a silica based fabric (it does not contain asbestos or carcinogens), it is unaffected by oil or water, withstands temperatures up to 1000°C and reduces under bonnet temperatures by up to 70%.

PIPE SIZE	2"	3"	4"	5"	6"
INCHES OF WRAP PER FOOT OF PIPE	44"	57"	70"	83"	96"

Snap-Strap Retaining Kit

We strongly recommend that you use Snap-Straps to retain the insulation. These are stainless steel straps with a narrow profile (for tight spots) that you cut to length and fasten with snap type heads. Alternatively you can skin your knuckles and use hose clips!

High Temperature Paint

This preserves and protects the exhaust wrap after installation. Extra resins and binders seal the pores, toughen the surface and help extend the life of the wrap.

THERMO-TEC INSULATION WRAP
2" x 50' ROLL **RX1382**

THERMO-TEC SNAP-STRAP KIT
STAINLESS STEEL **RX1383**

HIGH TEMPERATURE PAINT, 400ML AEROSOL
Black **S3SPV01**
Aluminium **S3SPV02DS**





ACCESSORIES

TOOL KIT

TOOL KIT:
Includes jack and handle, wheel nut wrench, tool bag and tool bag retaining strap.

- MGF **KBK000130F**
- MG TF **KBK000130TF**
- JACK, SCISSOR:** **311346**
replacement, with handle
- WRENCH, wheel nut:**
- MGF **KAL100040**
- MG TF **KAL10003**
- BAG, tools** **RX1364**
- STRAP, tool bag retention** **KBC100010**



ALLOY & WIRE WHEELS



We offer as far as possible the full range of genuine MG Rover alloy wheels with which to enhance and upgrade your MGF or MG TF. Also available is a traditional style, bolt-on wire wheel design. Please see Road Wheels & Tool Kit section for full details on page 49.

WHEEL TOOLS

TREAD DEPTH GAUGE, tyre **27298**
FOOT PUMP, tyre, double barrel **GAT347**
PRESSURE GAUGE, tyre, digital **XPT000006ACA**
BRUSH, wheel cleaning **KACB101**
HOLTS 'TYRE WELD', aerosol,
Instant puncture repair. **GAC9903X-400ML**
400ml
AIR COMPRESSOR:
Plugs into cigar lighter. **RX1580**
standard heavy duty **RX1580HD**

300psi **RX1580**

TYRE TREAD DEPTH GAUGE
Stock No. 27298

Holts Tyre Weld
Emergency Puncture Repair

300psi

LOCKING WHEEL NUT SETS

SET OF 4 LOCKING NUTS:
MG Rover original equipment **RRB100100**
MG Rover genuine accessory **XPT000175ACC**

WHEEL NUT CAR SET, incl. locking nuts **RP1176**
Set of 4 locking (accessory) nuts plus 12 standard nuts.

VALVE CAP SETS

RRF100060

VALVE CAPS, set of 4, 'MG' logo:
genuine MG Rover accessory **RRF100060**
With brown and cream MG logo
aftermarket accessory
With black and silver MG logo
standard **RRF100060P**
anti-theft (incl. removal tool) **RRF100060PAT**

MUDFLAP KITS

CAS100690PML

CAS000260PMLP

CAT100820PML

CAT000320PML

Featuring MG logo.
Supplied in pairs (MGF, MG TF), or as a car set.

FRONT MUDFLAP SET:
MGF **CAS100690PML**
MG TF **CAS000260PMLP**

REAR MUDFLAP SET:
MGF **CAT100820PML**
MG TF **CAT000320PML**

CAR SET OF MUDFLAPS:
MGF **RP1644**
MG TF **RP1015**

TYREPAL

TyrePal Tyre Pressure Monitor
Compact tyre pressure monitoring system for cars and vans.
Continuously displays the pressure of four tyres up to 99psi.
Clear, visible and audible alerts for:
- Low/high pressure
- Overheating /High temperature
- Punctures
Sensors simply replace the standard dust caps on tyres.
SEE OUR WEBSITE FOR FURTHER DETAILS.



TYREPAL

RX1595TP

ORDER

BY PHONE: 01522 568000 / ON LINE: www.rimmerbros.co.uk / E-MAIL: mgrover@rimmerbros.co.uk

MGF & MG TF 304mm BIG BRAKE CONVERSION KIT

Beef up your Front Brakes!

The kit includes a pair of red MG embossed AP Racing 2 piston calipers, mounting bolts, brake pads, pins, clips and 304mm ventilated discs. It can be used to either, replace the 4 piston factory AP racing system as fitted to MGF Trophy & MG TF 160, or to upgrade the standard sliding type brakes.

NOTE:- if using to replace the standard brakes, 16" wheels will be required. See wheels section on page 49 for options.

BIG BRAKE CONVERSION KIT 1 **RP1634**
 BRAKE PADS ONLY (REPLACEMENT) 1 **RP1634PADS**



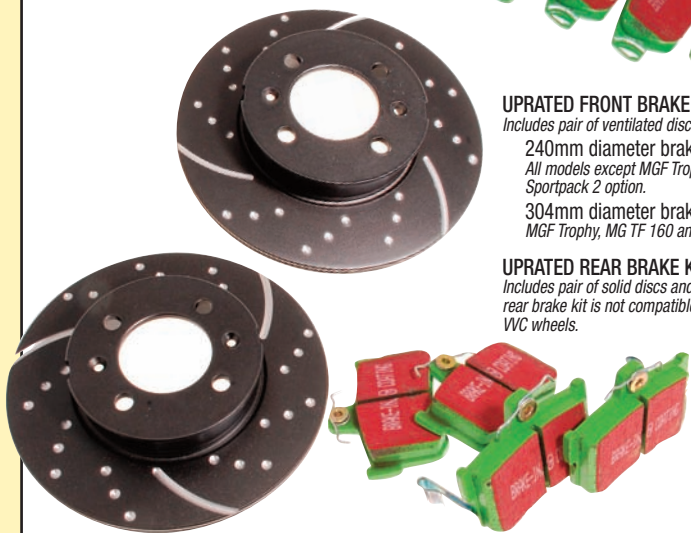
UPDATED BRAKE KITS

A convenient and cost effective way to uprate your brakes. Kits feature EBC Turbo Groove 'spotted & slotted' discs and Greenstuff pads (for details of which, see page 55), offering premium fast road brake performance. They fit to the car as direct replacements for the standard items, without the need for further modifications.



UPDATED FRONT BRAKE KIT: RP1019UR
 Includes pair of ventilated discs and brake pad set.
 240mm diameter brakes
 All models except MGF Trophy, MG TF 160 and MG TF with Sportpack 2 option.
 304mm diameter brakes **RP1018UR**
 MGF Trophy, MG TF 160 and MG TF with Sportpack 2 option.

UPDATED REAR BRAKE KIT: RP1486UR
 Includes pair of solid discs and brake pad set. Note that the updated rear brake kit is not compatible with 15" wheels, except for the MGF WVC wheels.



SERVO SUPPORT BRACKET

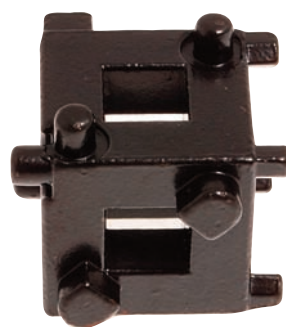


As fitted to Trophy race cars. Provides a firmer pedal feel by reducing servo movement during brake actuation.

SERVO SUPPORT BRACKET:
 RHD models **RP1177RHD**
 LHD models **RP1177LHD**

CALIPER PISTON TOOL

A special wind-back tool is required when changing rear brake pads to retract the pistons into the rear calipers safely and without damage.



WIND-BACK TOOL, caliper piston **RP1112**

BRAKE CALIPER PAINT

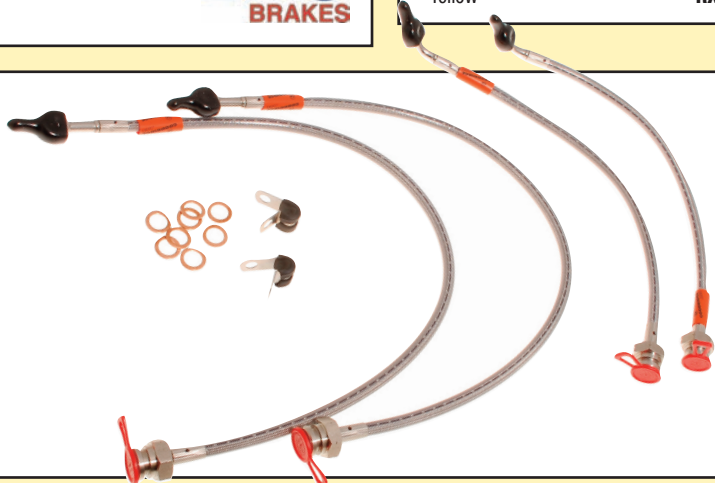


BRAKE CALIPER SPRAY PAINT, 400ml:
 Red **RX1739RED**
 Blue **RX1739BLUE**
 Silver **RX1739SILVER**
 Yellow **RX1739YELLOW**

STAINLESS BRAIDED BRAKE HOSE SET

Braided hoses have a smaller internal diameter, as well as a far greater resistance to sidewall flexing, both of which contribute to improved "feel" at the pedal.

STAINLESS BRAIDED BRAKE HOSE SET:
 MGF (set of four hoses) **RP1034**
 MG TF (set of four hoses) **RP1035**





MGF FRONT INDICATOR CLEAR LENS KITS



VUB105950

CLEAR INDICATOR & REPEATER KIT VUB105950

MGF to VIN.XD511058 (to '99). Converts amber indicators & repeaters to the later clear style. Includes two clear indicators, two clear repeater lenses and four amber bulbs.



RP1042

CLEAR SIDE REPEATER KIT RP1042

MGF to VIN.XD511058 (to '99). Converts amber repeater lamps to the later clear style. Includes two clear repeater lenses and two amber bulbs.

MGF HIGH LEVEL STOP LAMP KIT

Some early MGFs were not fitted with a high level stop lamp as standard. The retro-fit kit, supplied with lamp, boot lid finisher, wiring and instructions, enables easy conversion of these cars.

RETRO-FIT KIT, high level stop lamp with black finisher XFN100180K with anodised silver finisher XFN100180KAS



XFN100180K

MGF ANODISED SILVER STOP LAMP FINISHER

MGF high level stop lamp only. Alternative finish to original black, designed to match other anodised/alloy finish exterior fittings.

ANODISED SILVER STOP LAMP FINISHER

CKE100820AS



LEXUS STYLE REAR LAMP ASSEMBLIES

Alternative Lexus-inspired rear lamp assemblies, supplied in pairs, for an individual look. Easy to fit.

Alternative style rear light units to personalise your car!



XPT000152ACAP



XPT000152ACBP

CHROME STYLE LAMPS, pair XPT000152ACAP BLACK STYLE LAMPS, pair XPT000152ACBP

HEADLAMP BEAM DEFLECTORS



XBV100580

RHD. Required in some European countries when driving a RHD vehicle. High-impact acrylic.

BEAM DEFLECTORS, headlamps, pair original equipment (MGF) RX1726 aftermarket (MGF & MG TF) XBV100580

RX1726



RX1726

LED BULBS



GLB501LED

GLB382LED

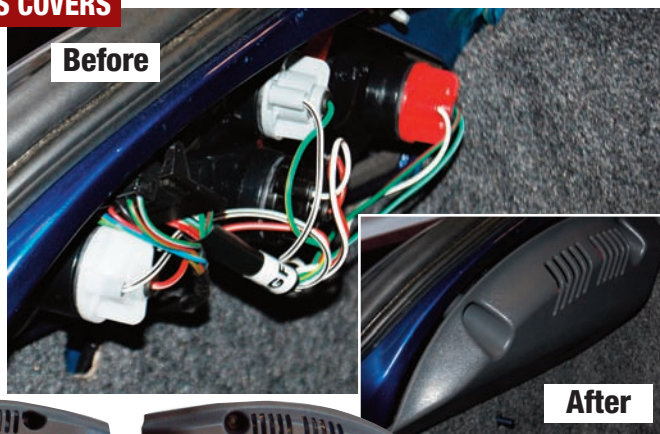
LED bulbs are durable and vibration resistant, they have a longer life than standard bulbs. They give out an ultra bright light using just a fraction of the power of a standard bulb.

LED BULBS (each); 12V 21W C/C CLEAR 12V 21W C/C AMBER 12V 5W LED

GLB382LED LR000702LED GLB501LED

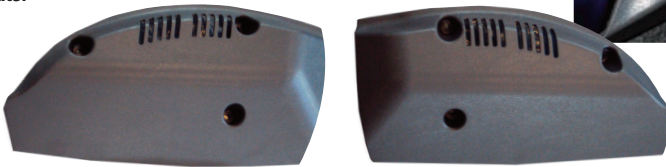
REAR LAMP ACCESS COVERS

Originally developed for the Nanjing MG TF LE, this pair of covers will tidy up the boot of an MGF or MG TF, while also protecting the bulb holders and wiring from inadvertent knocks and scrapes. They are suitable for original or Lexus style lamps and are retained with the lamp fixing nuts.



Before

After



REAR LAMP ACCESS COVERS, pair ZUA000640



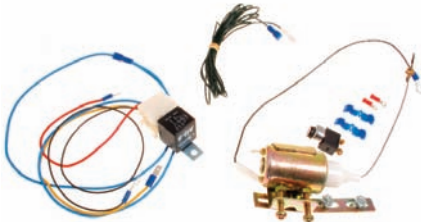
AIR HORNS



AIR HORN KIT, pair

RX1381

ELECTRIC BOOT LID RELEASE KIT



Allows the boot lid to be opened by a button in the cockpit instead of the sometimes inconvenient removal of the key from the ignition and having to get out of the car.

ELECTRIC BOOT LID RELEASE KIT

RP1493

PORTABLE WORKLIGHT

Ideal for working on your car or for jobs around the house. Inc. 240v-500w tungsten halogen lamp, 2m cable and BS plug.



PORTABLE HALOGEN WORKLIGHT (500w) SPARE BULB

RX1263 RX1263B

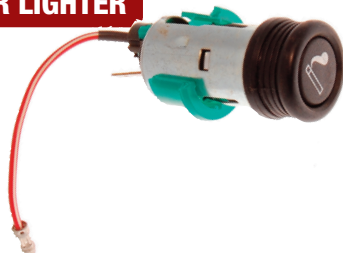
INSPECTION LAMP



INSPECTION LAMP, 30 LED Rechargeable.

CONS2447

CIGAR LIGHTER



CIGAR LIGHTER

ZKC1152

JUMP START KIT - 12V APPLICATIONS

Multi-function jump starter & charger for electronic products...

- Lap tops
- Portable games
- Portable DVD
- Plus much more...
- Mobile phones
- Tablets
- Music players

NOT MUCH BIGGER THAN YOUR MOBILE PHONE!



RX1410BPXD

JUMP START KIT & CHARGER KITS:

- XD model
- XS model

RX1410BPXD RX1410BPXS



RX1410BPXS

BATTERY CHARGER & BATTERY ACID TESTER



BATTERY CHARGER, 6 and 12 volt Conventional battery charger, ideal for charging a flat battery quickly or overnight charging.

GAC7106



BATTERY ACID TESTER

CONS295230

DIS-CAR-NECT



DIS-CAR-NECT IMMOBILISER KIT REPLACEMENT KNOB REPLACEMENT FUSE

RX1356 RX1356KNOB RX1356FUSE

How Does 'Dis-Car-Nect' Work?

When leaving your car, simply remove the knob to isolate the starter circuit. The 16 amp fuse will maintain current supply to all other electrical circuits (central locking, stereo memory, alarm etc.). Because the starter motor draws over 150 amps, any attempt to connect (hot-wire) the starter motor will instantly cause the fuse to blow. This immobilises the car until the knob is replaced. If this should happen, simply replace the 16 amp fuse at a convenient time. As an added advantage, the 'Dis-Car-Nect' will also prevent battery drain if you intend to store your car: simply unscrew the knob and remove the fuse. For extra security, unscrew and remove the immobiliser knob completely. 'Dis-Car-Nect' fits all vehicles and is easily fitted to any battery terminal. Full installation instructions are supplied with the kit.

BATTERY ISOLATOR SWITCH



BATTERY ISOLATOR SWITCH SPARE KEY

LL1171 LL1171KEY

POWER SOURCE INVERTOR



Great for in car entertainment and leisure use!

A power source inverter converts car battery voltage (12v) into a 240v output. You can plug in a variety of mains voltage appliances into the standard UK socket. Three different invertors are available to suit a range of power requirements. There is overload, overheat and short circuit protection on all models.

150 WATT MODEL RX1551-150

Continuous power: 150w. Peak power: 300w Cigar lighter plug connection. 15A fuse. Suitable applications: TV, DVD, Video, Computer Consoles, Lights (not fluorescent) Phone charger etc.

300 WATT MODEL RX1551-300

Continuous power: 300w. Peak power: 660w Cigar lighter or battery clip connection. 40A fuse. Suitable applications: as 150w model plus small power tools, small fridges, stereo etc.

500 WATT MODEL RX1551-500

Continuous power: 500w. Peak power: 800w Battery clip connection only. 70A fuse. Suitable applications: as 300w model plus medium power tools, colour TV's with DVD's, battery chargers etc.

BATTERY CONDITIONER



The battery conditioner is a battery charger that turns on and off automatically. This superb product is suitable for all 12 volt batteries (from 5ah to 100ah) and constantly revitalises the battery cells - helping to extend cell life, without the danger of overcharging.

Look at these benefits:

- Designed to be left connected for long periods.
- Use without disconnecting vehicle electrics.
- L.E.D. battery condition display.
- Thermal cut-out facility.
- 12 month guarantee.

It can also be used for the following applications, providing they use a 12 volt battery: caravans, lawn mowers, motorbikes, motor boats, wheel chairs and general leisure use. The kit is supplied complete with all fittings and operating instructions.

BATTERY CONDITIONER KIT:

- 0.8 amp version
- 3.8 amp version

RX1410CTEK RX1410CTEK3800

HEATED WASHER JET KIT



Genuine MG Rover accessory kit. Heats jets electrically.

HEATED WASHER JET KIT

VUB100220

BRIGHT FINISH GRILLE KITS

Personalise your car!

Save time and money as well as improving the looks of your car with our stainless steel (woven pattern) grille conversion kits. Supplied as a car set.

MGF GRILLE CONVERSION KIT (8 piece kit):
Includes front bumper grilles (2), side intake grilles (2), rear bumper grilles (2) & bootlid grilles (2).
Fitting hardware and instructions included.
This kit is also available in black mesh to special order.

eight piece car set **RP1619**

MG TF GRILLE CONVERSION KIT (6 piece kit):
Includes front bumper lower grille (1), side intake grilles (2), rear bumper lower grille (1) & bootlid grilles (2).
Fitting hardware and instructions included. Tiger seal or Silkaflex is also required for secure installation but not included.
This kit is also available in black mesh to special order.

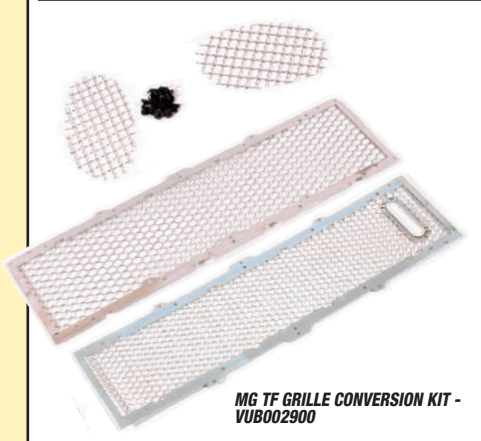
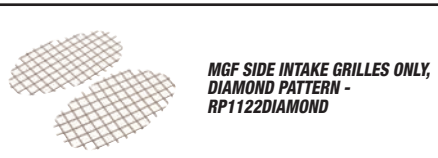
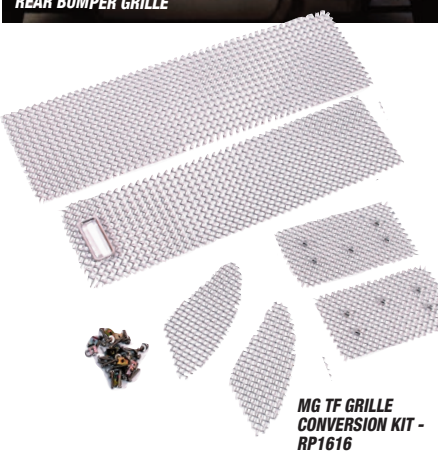
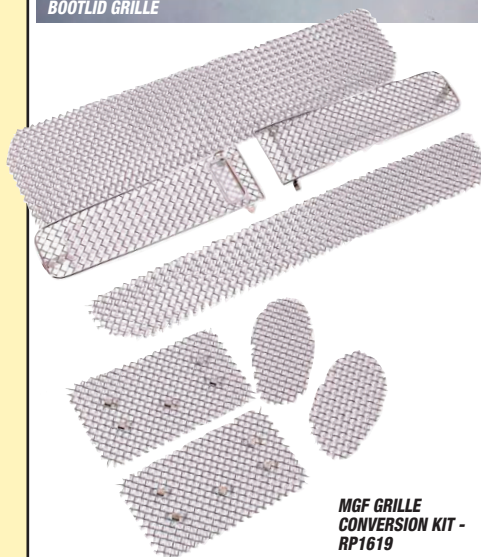
six piece car set **RP1616**

MGF SIDE INTAKE GRILLES ONLY, (2 piece kit):
Includes side intake grilles only in a choice of two bright finish stainless steel styles.

diamond pattern **RP1122DIAMOND**
woven pattern **RP1122WOVEN**

MG TF GRILLE CONVERSION KIT, (4 piece kit)
Includes front and rear bumper grilles plus side intake grilles.

four piece kit (original equipment) **VUB002900**



MGF AIR INTAKE BEZEL KITS



CHROME BEZELS, without grilles **RP1495**
Chrome bezels simply stick in place, retaining existing grilles.
Sold in pairs.

ANODISED SILVER BEZELS, with grilles:
Specially produced to match other alloy/alloy finish features on your MGF. Supplied in pairs.

with black grilles **RP1120ANO B**
with stainless steel grilles **RP1120ANO C**



BODY COLOUR BEZELS:
with diamond pattern stainless grilles

Anthracite **RP1120LQW**
Flame Red **RP1120COF**
Nightfire **RP1120CAQ**
Solar Red **RP1120CMU**
Volcano **RP1120EAC**



CHROME DOOR MIRROR BACKS

Fit all cars with manual (not electric) door mirrors. Fitted in seconds, these chrome clip on mirror covers transform the appearance of your car. Also a practical and stylish alternative to painting replacement mirrors.



CHROME DOOR MIRROR BACKS, pair **RP1494**

UPDATED DOOR GLASS STOP KIT

This re-engineered, stronger door glass stop kit is the solution to water leaks between the hood/hardtop/windscreen and the door glass, caused by the original stop breaking and allowing the glass to lift too far. The updated kit will not fail... 'fit and forget', as we like to say. Includes stop, screw and washer for one door glass.

UPDATED DOOR GLASS STOP KIT, each **CUQ100140URKIT**



BADGES



Update your early MGF with this badge, as fitted to 2001 onwards cars as standard.

Union Flag/chequered flag badge **DAG000070MMM**

30 x 50mm accessory type enamel badge, choice of screw-on or self-adhesive types.

UNION FLAG BADGE:
screw-on (each) **RX1299**
self-adhesive (pair), enamel **RX1299SE**
self-adhesive (pair), resin **RX1299SR**

GB BADGE



GB Badge, brushed stainless **DAM100690MMMPP**
Brushed Stainless Steel. Raised letters. Self Adhesive.

ORDER

BY PHONE: 01522 568000 / ON LINE: www.rimmerbros.co.uk / E-MAIL: mgrover@rimmerbros.co.uk



MG MOTOR TF BUMPER CONVERSION

Probably the nicest feature of the MG Motor MG TF built by Nanjing/SAIC from 2009 onwards is the front bumper and radiator grille styling - the smoother, more rounded lines lend a quite different appearance compared to the earlier MG Rover TF. The parts involved are sufficiently similar to make attachment of the new front end to an MG Rover TF a reasonably straightforward conversion. The differences that do exist are overcome by using the following parts.

For full details of the conversion work, please see the Front Body Fittings section.

- FRONT BUMPER COVER, primed **300000245**
- ARMATURE, front bumper (MG TF type) **DPE100432**

RADIATOR GRILLE:

- bright
 - upper RH **300000402MMM**
 - upper LH **300000404MMM**
 - lower black **300000251MMM**
- black
 - upper, pair **ZUA000890IAH**
 - lower **300000251IAH**
- SCREW, grille fixing (14 rqd) **DA610057**
- NUT, spring, grille fixing (14 rqd) **300000408**
- WASHER, clamping (14 rqd) **300000489**
- BADGE, 'MG':
 - front bumper red/cream (MG Motor, standard) **300000254**
 - black/silver (LE 500) **300001213**
 - boot lid, black/silver (LE 500) **300001212**

MGF TROPHY FRONT SPOILER



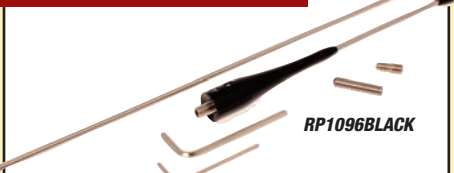
TROPHY FRONT SPOILER ASS'Y.
Includes screw rivets and foam infill blocks.
primed **DFB000010LML**

DOOR TREADPLATES



DOOR TREADPLATE, bright finish:
MGF VIN WD028923 on, MG TF, each **EAP100790MMM**
Features MG logo.
MG Motor MG TF, each **300000874**
Features MG logo. Nanjing/SAIC MG TF 2009 onwards type, can be easily fitted as easy update to earlier cars.

ANODISED AERIAL MAST



High quality aerial in a choice of four anodised colours. Features two different mast lengths and anti-theft design.

- AERIAL MAST (fits all models):
 - black **RP1096BLACK**
 - silver **RP1096SILVER**
 - red **RP1096RED**
 - blue **RP1096BLUE**



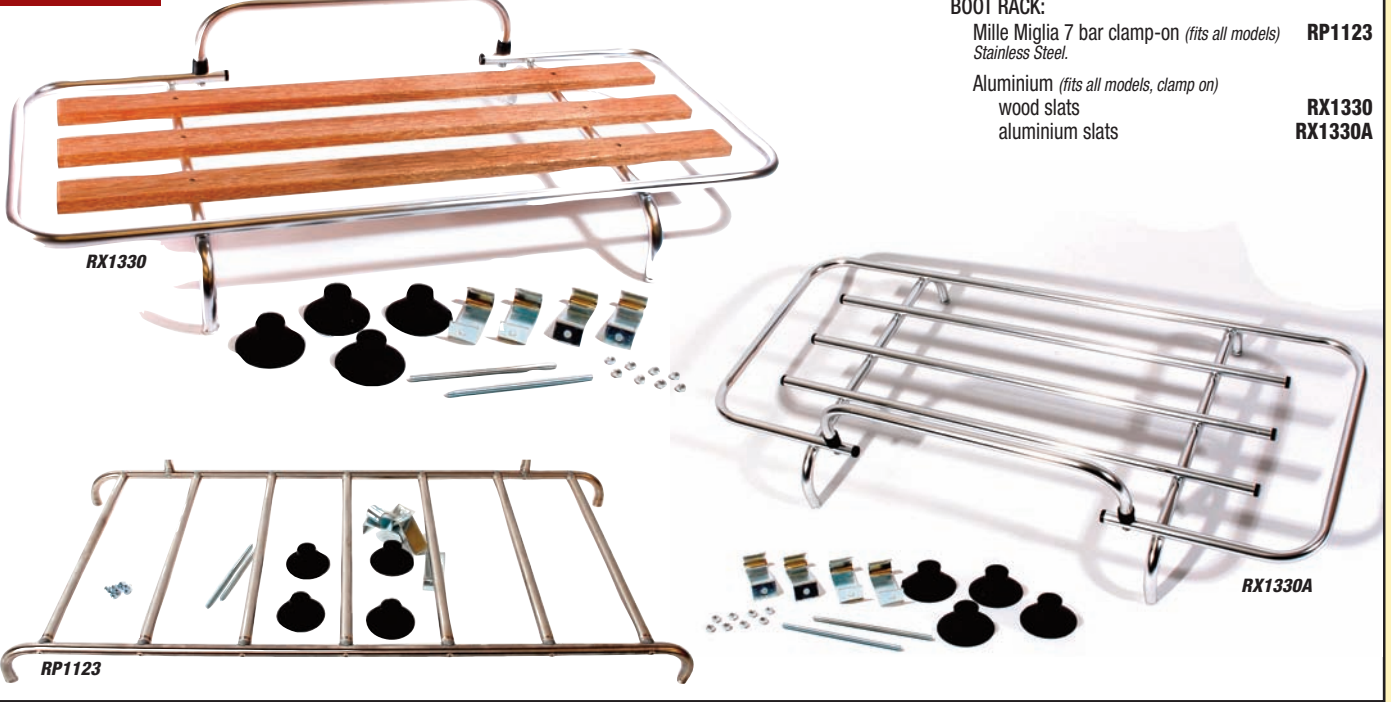
BOOT BAG

The alternative to a chrome boot rack. Boot-bag is a waterproof luggage bag that attaches to your car's boot lid using a unique strapping system. The bag sits on a non slip mat to protect your paintwork, and adds 50 litres of waterproof luggage capacity.



BOOT BAG **RX1686**
High frequency welded nylon coated PVC fabric with detachable carry handle. There are no metal fixings - it won't scratch your cars paintwork. Once the webbing is pulled tight its stays put.
Size : 70cm x 36cm x 20cm (28"x15"x8") - the soft non slip mat is slightly bigger measuring 80cm x 40cm.

BOOT RACKS



BOOT RACK:
Mille Miglia 7 bar clamp-on (fits all models) **RP1123**
Stainless Steel.
Aluminium (fits all models, clamp on) **RX1330**
wood slats **RX1330A**
aluminium slats



SPORTSTER MOHAIR HOOD

For a sportier look try the Sportster Hood (OEM manufacture).

For further hood options refer to page 123.



Hoods with a glass (heated) rear window were fitted to all TF models 2005 on but make a great upgrade for earlier cars (1998 on) - especially if the car has been fitted with a hardtop and therefore has the switch and relay for a heated rear window already fitted. If not, these items are available separately as listed below and are easy to install. Refer to Hardtop section for further details.

The Sportster hood is totally sealed against water ingress and the heated glass rear screen means that your rear vision is always clear. The hood comes complete with the cable to connect it to the heated rear window switch loom.

All models (optional) VIN 024605 on (1998-2004) and all MG TF VIN 5D639631 on (2005 on). Original equipment manufacturer (OEM)

SPORTSTER MOHAIR HOOD:

Black	DSD500010PMAK
Grey	XPT000107LZDP
Beige	XPT000107RIOP
Tan	XPT000107SBTP
Green	XPT000107HZPP
Dark Blue	XPT000107JZPP
Burgundy	XPT000107CVGP
Brown	XPT000107BRNP

For colour swatches see page 123.

REAR WINDOW ASSEMBLY (GLASS)



REAR WINDOW ASSEMBLY, GLASS (HEATED) REAR WINDOW

Originally fitted from 2005 on. Can also be fitted to hoods 1996-2004, zips straight into existing hood.

No unzipping required to lower the hood. Includes fitting instructions and HRW wiring. Switch and relay available separately (VUB000090) if required.

Black material	1	DSD000030PMAP
Dark Grey material	1	DSD000030LFMP
Green material	1	DSD000030HZPP
Blue material	1	DSD000030JZPP
Burgundy material with fleck	1	DSD000030CCVP

For colour swatches see page 123

HOOD STOWAGE COVER



DSD100590PMAP1

HOOD STOWAGE COVER, original fitment:
Black, OEM DSD100590PMAP1

HOOD STOWAGE COVER, accessory fitment:
Offered in colours specially produced to match MGF and MG TF accessory interior trim and packages. Made to 1997 onwards MGF and MG TF style. Please refer to the colour swatches on page 123.

Black	RP1043BLACK
Grey	RP1043GREY
Light Stone Beige	RP1043BEIGE
Biscuit	RP1043BISCUIT
Cream	RP1043CREAM
British Racing Green	RP1043BRG
Blue	RP1043BLUE
Red	RP1043RED

HOOD PROTECTION COVER



Protects the fabric and rear window of your hood from dust, dirt and such trials as bird lime when car is being transported or in storage.

For indoor or outdoor use. Hood protection cover is heavy duty outdoor version.

HOOD PROTECTION COVER:	
MGF, MG TF to VIN 2D605986	DSD100450
MG TF VIN 2D605987 to 4D638456	DSD100451
MG TF VIN 4D638457 on	DSD000080

WIND DEFLECTORS

RP1502GREY

VUQ100280

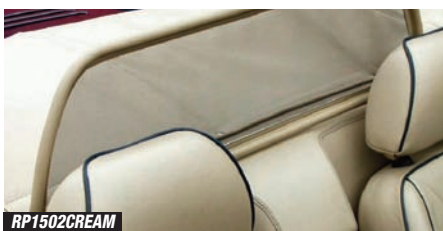


Fitting snugly behind the seats, a wind deflector really does work, effectively reducing buffeting when the hood is down. Easy to fit and remove; alternatively may be folded down when not in use. Note genuine MG Rover item requires drilling to install, aftermarket version requires no drilling. Both are compatible with hood stowage covers, but not with roll hoops.

WIND DEFLECTOR:

genuine MG Rover accessory VUQ100280
aftermarket accessory type
Features leather-bound frame in choice of colours matching our other accessory interior trim and packages.
Please refer to the colour swatches on page 123.

with Black frame	RP1502BLACK
with Grey frame	RP1502GREY
with Light Stone Beige frame	RP1502BEIGE
with Biscuit frame	RP1502BISCUIT
with Cream frame	RP1502CREAM
with British Racing Green frame	RP1502BRG
with Blue frame	RP1502BLUE
with Red frame	RP1502RED
glass type, folding (toughened glass)	RP1502G



RP1502CREAM



RP1502RED



RP1502G

STORAGE BAG, wind deflector RP1640

ROLL HOOPS

RP1020B



RP1020S



RP1020C

The original MG Rover roll hoops are now no longer available. We now offer an aftermarket range of roll hoops to compliment your MGF or MG TF. Available in black, silver or chrome finishes, the hoops are also supplied with a fitting kit and a glass wind deflector that fits across the hoops.

ROLL HOOP KIT:

black	RP1020B
silver	RP1020S
chrome	RP1020C



HERITAGE HARDTOP



The classically styled Heritage hardtop evokes images from the great days of MG. Sleek, stylish and secure, it makes the MGF and MG TF equally at home for high speed continental touring or daily commuting. Crafted and designed with the approval of the MGF's original designer, it uniquely incorporates the two bonnet and boot lid feature lines and is further identified with MG Octagons on the B posts.

The exterior is finished in black gel coat ready to fit or paint to your individual requirements if required, while the interior features an Ambla headlining. Optional headlinings are also available to special order. The hardtop has a heated glass rear window as standard and secures using the standard factory fitted latch points.

HARDTOP ASSEMBLY, Black:
with Ambla headlining HMP118099AMB
with Black leather headlining HMP118099BLK
with Grey leather headlining HMP118099GRY
with Light Stone Beige leather headlining HMP118099LSB

HEATED REAR WINDOW INSTALLATION

If your car is pre-2005 and has not been fitted with a hardtop before (or if you wish to fit a hood with a heated glass rear window), you will also need to fit a switch and a relay in order to be able to operate the heated rear window.

This is not a difficult task with the correct items to hand - you will need a relay and heated rear window switch (conveniently available together as an installation kit, which also includes illustrated instructions). The wiring, connector plugs and relay socket are already fitted, so no wiring conversion will be required.

2005 on MG TFs already have the switch and relay fitted (albeit a different, smaller relay) in order to operate the heated glass rear window in the hood.



INSTALLATION KIT, heated rear window:
Only required on MGFs, plus MG TFs prior to VIN 5D639630 (prior to 2005). Includes instructions, relay and switch.
MGF to VIN XD511058 VUB000090E
MGF VIN XD511059 on, MGTF to 5D639630 VUB000090L

HARDTOP STORAGE



These hanger brackets and cover ensure safe storage for your hardtop during the (hopefully, long) summer months, allowing it to be stowed correctly on a garage wall or similar and protected from accidental paint damage and dirt accumulation.



WALL HANGER BRACKET SET, hardtop VUB101340P
STORAGE COVER, hardtop VUK100030PMA

INDOOR CAR COVERS

Cover it up!

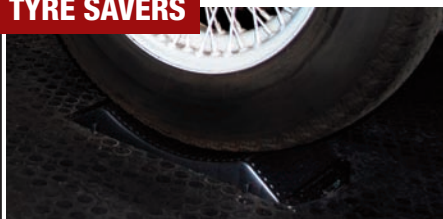


Provides ideal protection while your MGF/MG TF is in the garage (whether just parked up for a few days, or stored over the winter months) from dust, bright sunlight and from those annoying little marks when people brush past.

INDOOR CAR COVER:
budget type (Blue) VUS100070PB
calico cotton (Cream) - tailored VUS100070PC



TYRE SAVERS



Prevents flat spots on tyres when vehicle is not in regular use. Also suitable as a 'stop' by bolting down to garage floor. Use with cars, caravans, trailers etc, (10"-20" tyres).

TYRE SAVERS (pair) RX1588
Order 2 pairs for one car.

OUTDOOR COVERS

TOTAL PROTECTION!



The Galaxy premium outdoor car cover is manufactured from heavy duty polyester with a superior satin finish. The resultant material has a very high tear strength combined with excellent water repellency and UV protection. This is enhanced by a waterproof membrane and heat sealed seams. The excellent waterproofing and breathability of the outer shell is combined with a soft moisture resistant fleece lining to provide the ultimate protection.

GALAXY OUTDOOR CAR COVER: RP1614G



The Eclipse outdoor car cover is made from polypropylene with a breathable membrane. The four-layer construction consists of two non-woven top layers which gives good UV protection and water repellency. The third layer is a breathable/ waterproof film, and the fourth is a non-woven soft inner lining for scratch resistance.

ECLIPSE OUTDOOR CAR COVER: RP1614E



CENTRE CONSOLE FASCIA

Technical Black fascia.

Fits MGF VIN XD511059 on (2000 on) and MG TF only.



CONSOLE FASCIA, Technical Black **FHD102460PVG**

FASCIA TRIM KITS



Improve the appearance of your centre console fascia with one of our fascia trim kits, each including face level vent surrounds in a choice of alloy, carbon fibre or walnut wood finishes together with a matching centre console overlay:

FASCIA TRIM KIT:

MGF to VIN XD511058 (to 1999)

alloy finish

carbon fibre finish

walnut finish

MGF VIN XD511059 on (2000 on), MG TF

alloy finish

carbon fibre finish

walnut finish

RP1092ALLOY

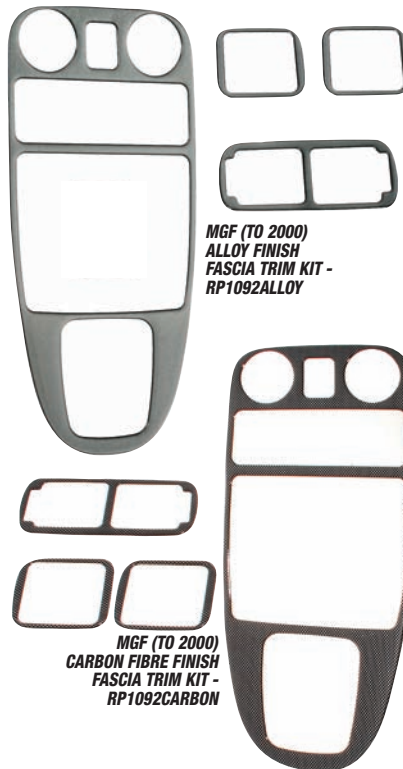
RP1092CARBON

RP1092WALNUT

RP1093ALLOY

RP1093CARBON

RP1093WALNUT



MGF (TO 2000)
ALLOY FINISH
FASCIA TRIM KIT -
RP1092ALLOY

MGF (TO 2000)
CARBON FIBRE FINISH
FASCIA TRIM KIT -
RP1092CARBON



MGF/TF (2000 ON) WALNUT FINISH
FASCIA TRIM KIT - RP1093WALNUT

HEATER CONTROL KNOB SETS



MGF (ANODISED) - RP1160A

Accessory type set of 3 knobs, replacing all styles of original knob.

HEATER CONTROL KNOB SET:

MGF

polished aluminium

anodised silver

RP1160S

RP1160A

MG TF

polished aluminium

anodised silver

RP1161S

RP1161A



MG TF (POLISHED) - RP1161S

HEATER BEZEL TRIM PANEL

JWK000230C



JWK000230A



JWK000230S



HEATER BEZEL TRIM PANEL, heater control knobs: Brighten up your heater control area with this trim panel in a range of finishes.

MG TF

chrome

1 **JWK000230C**

polished aluminium

1 **JWK000230A**

anodised silver

1 **JWK000230S**

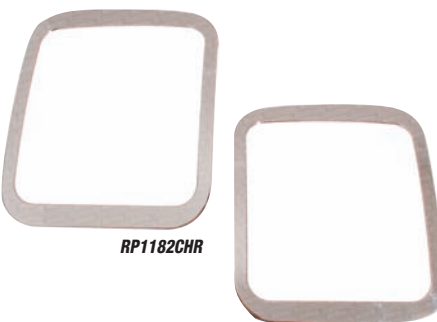
INSTRUMENT FASCIA

INSTRUMENT FASCIA,
polished alloy



RP1691

FACE LEVEL VENT SURROUNDS



RP1182CHR

RP1182ALU



RP1182SIL

FACE LEVEL VENT SURROUND, RH side & LH side, pair;
chrome
polished alloy
silver anodised

RP1182CHR

RP1182ALU

RP1182SIL

BEZEL KIT HEATER CONTROL KNOBS



RP1668A

BEZEL KIT, heater control knobs, MGF/TF: Brighten up your heater control with this set of 3 high quality accessory trim rings, in a range of finishes.

chrome

polished aluminium

anodised silver

RP1668C

RP1668A

RP1668S

CIGAR LIGHTER SURROUND RING



RP1639ALU

RP1639SIL

CIGAR LIGHTER SURROUND RING:

polished aluminium

anodised silver

RP1639ALU

RP1639SIL

WINDSCREEN DEMISTER BEZELS



Dress up your fascia by replacing those drab black demister bezels with bright finish version.

WINDSCREEN DEMISTER BEZELS,
polished alloy, pair

JCC100270ALU



GEAR LEVER GAITERS

Range of gear lever gaiters specially produced in colours to match MGF and MG TF interior trim kits and packages.

MANUAL - GEAR LEVER GAITERS:

MGF to VIN XD511058 (to 1999)

- Black leather
- Grey leather
- Light Stone Beige leather
- Biscuit leather
- Cream leather
- British Racing Green leather
- Blue leather
- Red leather

- RP1152BLACK
- RP1152GREY
- RP1152BEIGE
- RP1152BISCUIT
- RP1152CREAM
- RP1152BRG
- RP1152BLUE
- RP1152RED

MGF from VIN XD511059 (from 1999), MG TF

- Black leather
- Grey leather
- Light Stone Beige leather
- Biscuit leather
- Cream leather
- British Racing Green leather
- Blue leather
- Red leather

- RP1190BLACK
- RP1190GREY
- RP1190BEIGE
- RP1190BISCUIT
- RP1190CREAM
- RP1190BRG
- RP1190BLUE
- RP1190RED

AUTOMATIC - GEAR LEVER GAITERS:

- Black leather
- Grey leather
- Light Stone Beige leather
- Biscuit leather
- Cream leather
- British Racing Green leather
- Blue leather
- Red leather

- RP1643BLACK
- RP1643GREY
- RP1643BEIGE
- RP1643BISCUIT
- RP1643CREAM
- RP1643BRG
- RP1643BLUE
- RP1643RED



GEAR LEVER GAITER FINISHERS



RP1482

RP1483

LOWER FINISHER, anodised silver

MGF to VIN XD511058 (to 1999) only.

FERRULE, gear lever gaiter, anodised silver

Replaces original black plastic ferrule on all cars so fitted (MGF and MG TF).

RP1482

RP1483

DOOR LOCK ESCUTCHEONS & LOCK PINS

Easy to fit small accessory items that are eye-catching in a range of styles and finishes.



RP1156OCT



RP1156OCT



RP1156CHR



RP1156ALU



RP1156SIL

LOCK BUTTON ESCUTCHEON:

- octagonal, alloy, pair
- round, alloy, pair
- chrome
- polished aluminium
- silver anodised

RP1156OCT

RP1156CHR
RP1156ALU
RP1156SIL

LOCK BUTTON PIN, alloy, pair:

- chrome
- polished aluminium
- silver anodised

RP1666CHR
RP1666ALU
RP1666SIL



RP1666CHR



RP1666CHR

RP1666ALU

RP1666SIL

ACCESSORY GEAR KNOBS

GEAR KNOBS:

- Alloy, round
- Alloy, black anodised, round
- Leather, with MG logo
- Wood, with MG logo
- 'Touring' alloy, with MG logo

- UKJ100960MDC
- 500000139
- RP1426LMG
- RP1426WMG
- RP1100



UKJ100960MDC

RP1426LMG

500000139

RP1426WMG

RP1100

HAND BRAKE GAITER & GRIP KITS



Range of gaiter and grip kits specially produced in colours to match MGF and MG TF interior trim kits and packages.

HAND BRAKE GAITER & GRIP KITS:

- Black gaiter & Black grip
- Grey gaiter & Black grip
- Light Stone Beige gaiter, Black grip
- Biscuit gaiter & Black grip
- Cream gaiter & Black grip
- British Racing Green gaiter, Black grip
- Blue gaiter & Black grip
- Red gaiter & Black grip

- RP1153BLACK
- RP1153GREY
- RP1153BEIGE
- RP1153BISCUIT
- RP1153CREAM
- RP1153BRG
- RP1153BLUE
- RP1153RED

HAND BRAKE GAITERS ONLY:

- Black leather gaiter
- Grey leather gaiter
- Light Stone Beige leather gaiter
- Biscuit leather gaiter
- Cream leather gaiter
- British Racing Green leather gaiter
- Blue leather gaiter
- Red gaiter & Black grip

- RP1487BLACK
- RP1487GREY
- RP1487BEIGE
- RP1487BISCUIT
- RP1487CREAM
- RP1487BRG
- RP1487BLUE
- RP1487RED



RP1153BLACK

RP1487GREY

HAND BRAKE GRIPS



HAND BRAKE GRIP, accessory fitment:

- alloy with finger contours
- silver
- titanium look
- black leather & chrome

- RP1179SILVER
- RP1179TITANIUM
- RP1179BLEATHER



RP1179TITANIUM

RP1179SILVER

RP1179BLEATHER



LEATHER DOOR PODS

RP1151 RED



Replace the cloth pods on your door panels (or refresh the leather pods) with our soft padded real leather items, available in colours to complement either your existing interior trim or our range of trim items and packages.

Designed to be a snug fit, these pods easily replace the originals and are securely held in place by extra double-sided adhesive tape. Full fitting instructions are supplied. Note that MGF to 1999 pods are sold new outright, whereas the 2000 on/MG TF pods are exchange items.

LEATHER DOOR PODS:

MGF to VIN XD511058 (to 1999) (Sold outright)

- Black RP1151BLACK
Grey RP1151GREY
Light Stone Beige RP1151BEIGE
Biscuit RP1151BISCUIT
Cream RP1151CREAM
British Racing Green RP1151BRG
Blue RP1151BLUE
Red RP1151RED

MGF VIN XD511059 on (2000 on), MG TF

Sold in exchange for your old door pods.

- Black RP1191BLACK
Grey RP1191GREY
Light Stone Beige RP1191BEIGE
Biscuit RP1191BISCUIT
Cream RP1191CREAM
British Racing Green RP1191BRG
Blue RP1191BLUE
Red RP1191RED

BRIGHT ALLOY DOOR INSERTS

EJH00060MWK

For MGF VIN XD511059 on, MG TF. Replace fabric, wood or black plastic inserts with these bright alloy items designed to match other interior alloy finish items and accessories.

BRIGHT ALLOY DOOR INSERTS:

- RH EJH00060MWK
LH EJH00070MWK

DOOR SPEAKER GRILLE TRIMS



RP1181P

RP1181A

Fits MGF from VIN XD511059 on, MG TF only. Set of four trim rings, fitting both speakers and tweeters, in alternative finishes.

DOOR SPEAKER GRILLE TRIMS, set of 4:

- polished alloy RP1181P
anodised alloy RP1181A

CENTRE CONSOLE LID ASSEMBLIES



Includes front and rear centre console lids, hinge assembly and latches. Sold in exchange for your old complete console lid assembly.

CENTRE CONSOLE LID ASSEMBLIES:

- Black RP1154BLACK
Grey RP1154GREY
Light Stone Beige RP1154BEIGE
Biscuit RP1154BISCUIT
Cream RP1154CREAM
British Racing Green RP1154BRG
Blue RP1154BLUE
Red RP1154RED

DOOR POCKETS



RP1150BLACK

Gain extra storage space and improve the appearance of your door panels by fitting these practical and good-looking door pockets. As with the door pods, they're available in colours to complement either your existing interior trim or our range of trim items and packages. Easy DIY fitment.

DOOR POCKETS:

- Black RP1150BLACK
Grey RP1150GREY
Light Stone Beige RP1150BEIGE
Biscuit RP1150BISCUIT
Cream RP1150CREAM
British Racing Green RP1150BRG
Blue RP1150BLUE
Red RP1150RED

DOOR GRIP SURROUNDS



RP1638SIL

RP1638CHR

DOOR GRIP SURROUNDS, pair:

- Chrome RP1638CHR
Polished aluminium RP1638ALU
Anodised Silver RP1638SIL

DOOR RELEASE SURROUNDS



RP1645CHR

RP1645SIL

DOOR RELEASE SURROUNDS, pair:

- Chrome RP1645CHR
Polished aluminium RP1645ALU
Anodised Silver RP1645SIL

LEATHER TRIMMED T BARS



T BARS, leather trimmed:

Sold in exchange for your old T bar.

MGF to VIN XD511058 (to 1999)

Without speaker holes.

- Black RP1155BLACK
Grey RP1155GREY
Light Stone Beige RP1155BEIGE
Biscuit RP1155BISCUIT
Cream RP1155CREAM
British Racing Green RP1155BRG
Blue RP1155BLUE
Red RP1155RED

MGF VIN XD511059 on (2000 on), MG TF

'Mk 2' type, with speaker holes.

May be retro-fitted to pre-2000 MGFs to allow rear speaker fitment.

- Black RP1189BLACK
Grey RP1189GREY
Light Stone Beige RP1189BEIGE
Biscuit RP1189BISCUIT
Cream RP1189CREAM
British Racing Green RP1189BRG
Blue RP1189BLUE
Red RP1189RED

LEATHER SEAT ASSEMBLIES



MK 2 TYPE LEATHER SEATS - RP1149

Rimmer Bros. offer a range of Classic style replacement seat assemblies (available in exchange for your old seats), complete with head restraints, beautifully upholstered in finest Scottish Bridge of Wier leather, ready to bolt straight into your car.

Our colour range has been chosen to match the colours of the door pods, gear lever gaiters, hand brake gaiters and other interior trim we offer, allowing you to create a complete top quality trim package for your car. Because our seats are mainly built to order (only the very most popular colours are usually available direct from stock), you can ring the changes in colours if you wish: contrasting piping in colours other than those shown here are available if desired, as are alternative main seat colours - please contact us to discuss special requirements.

NOTE: Refer also to seats on page 103 for leather seat cover kits.

MGF to VIN XD511058 (to 1999), 'Mk 1' Type Seats

LEATHER SEAT ASSEMBLIES, pair, Classic style:

Sold in exchange for your old, reconditionable seats.

Includes head restraints.

- Black/Black piping RP1188BLACK
Black/Green piping RP1188BLACKBRG
Black/Blue piping RP1188BLACKBLUE
Black/Red piping RP1188BLACKRED
Black/White piping RP1188BLACKWHITE
Grey/Grey piping RP1188GREY
Lt Stone Beige/Beige piping RP1188BEIGE
Lt Stone Beige/Grey piping RP1188BEIGEGREY
Biscuit/Biscuit piping RP1188BISCUIT
Cream/Cream piping RP1188CREAM
Green/Green piping RP1188BRG
Green/Grey piping RP1188BRGGREY
Blue/Blue piping RP1188BLUE
Red/Red piping RP1188RED
Red/Grey piping RP1188REDGREY

MGF VIN XD511059 on (2000 on), MG TF 'Mk 2' Type Seats

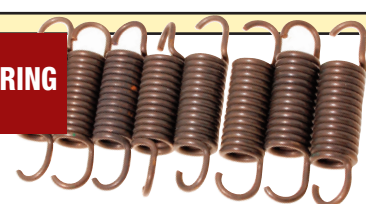
LEATHER SEAT ASSEMBLIES, pair, Classic style:

Sold in exchange for your old, reconditionable seats.

Includes head restraints.

- Black/Black piping RP1149BLACK
Black/Green piping RP1149BLACKBRG
Black/Blue piping RP1149BLACKBLUE
Black/Red piping RP1149BLACKRED
Black/White piping RP1149BLACKWHITE
Grey/Grey piping RP1149GREY
Lt Stone Beige/Beige piping RP1149BEIGE
Lt Stone Beige/Grey piping RP1149BEIGEGREY
Biscuit/Biscuit piping RP1149BISCUIT
Cream/Cream piping RP1149CREAM
Green/Green piping RP1149BRG
Green/Grey piping RP1149BRGGREY
Blue/Blue piping RP1149BLUE
Red/Red piping RP1149RED
Red/Grey piping RP1149REDGREY

SEAT LOWERING KIT



Simple and inexpensive way of lowering the seat cushions (by approx. 1/2 inch), making all the difference in comfortable seating for taller drivers.

Kit includes springs for both front seats, plus fitting instructions.

SEAT LOWERING KIT RP1499

ORDER

BY PHONE: 01522 568000 / ON LINE: www.rimmerbros.co.uk / E-MAIL: mgrover@rimmerbros.co.uk



3 PIECE CARPET SETS

Each kit includes a pair of full-length moulded floor carpets plus the rear bulkhead carpet. Because they're moulded exactly to shape, no gluing or trimming is required and fitment takes approximately three hours (removal of the seats is required during the process). Also included in the MG TF kits are floor insulation pads, replicating the original late model MG TF thick white foam-backed carpet specification and guaranteeing comfort and improved noise suppression. See page 119 for carpet fittings.

SEE PAGE 119 FOR CARPET FITTINGS

CARPET SET, RHD: 3 pieces:

- | | |
|----------------------|---------------|
| MGF, RHD | |
| Black | RP1107BLACK |
| Grey | RP1107GREY |
| Biscuit | RP1107BISCUIT |
| British Racing Green | RP1107BRG |
| Blue | RP1107BLUE |
| Red | RP1107RED |

- | | |
|---|---------------|
| MG TF, RHD (also includes insulation kit) | |
| Black | RP1110BLACK |
| Grey | RP1110GREY |
| Biscuit | RP1110BISCUIT |
| British Racing Green | RP1110BRG |
| Blue | RP1110BLUE |
| Red | RP1110RED |

CARPET SET, LHD: 3 pieces

- | | |
|----------------------|---------------|
| MGF, LHD | |
| Black | RP1108BLACK |
| Grey | RP1108GREY |
| Biscuit | RP1108BISCUIT |
| British Racing Green | RP1108BRG |
| Blue | RP1108BLUE |
| Red | RP1108RED |

- | | |
|---|---------------|
| MG TF, LHD (also includes insulation kit) | |
| Black | RP1111BLACK |
| Grey | RP1111GREY |
| Biscuit | RP1111BISCUIT |
| British Racing Green | RP1111BRG |
| Blue | RP1111BLUE |
| Red | RP1111RED |



CARPET SET - RP1107BLACK



CARPET SET - RP1107BRG (GREEN)



CARPET SET - RP1107GREY



CARPET SET - RP1107BLUE



CARPET SET - RP1107BISCUIT



CARPET SET - RP1107RED

HOOD WELL CARPET

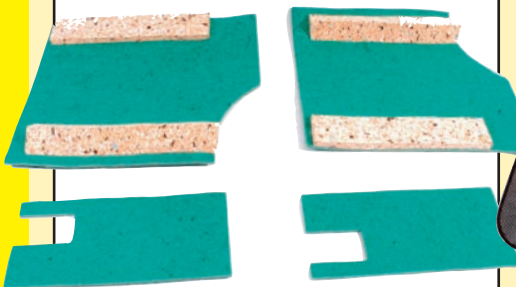


HOOD WELL CARPET, Black EAD000010PMA

CARPET INSULATION KIT

Highly recommended if you're purchasing one of our 3 piece carpet sets for your MGF, this insulation kit actually makes for improved carpet fitment while also updating your car to late MG TF levels of comfort and noise suppression by replicating that model's thick white foam-backing to the carpet. The kit includes pads for both front footwells and the rear floor.

Also recommended for supplementing original carpets in MGFs and earlier MG TFs (up to VIN 4D620548). If you are purchasing one of our 3 piece MG TF carpet sets, you won't need this kit; it's included in your carpet set. Similarly, late MG TFs (VIN 4D620549 on) with original white foam-backed carpets do not require this kit.



CARPET INSULATION KIT RP1109

RUBBER OVERMAT SET



RUBBER OVERMAT SET, 2 piece: semi-universal (trim to fit) XPT000067ACA

LOADSPACE LINER

Simple heavy-duty fabric liner tailored for the MGF and MG TF rear loadspace. Inexpensive protection for your loadspace carpet. Folds up out of the way when not required.



LOADSPACE LINER VUB112420

CARPET OVERMAT SETS



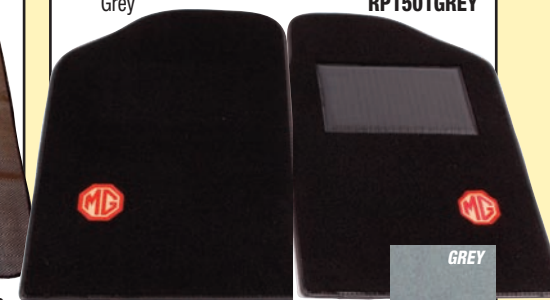
EAH103900PMA

GUNSMOKE

CARPET OVERMAT SET, 2 piece, original fitment:
RHD, Black EAH103900PMA
RHD, Gunsmoke EAH104800WSM
LHD, Black EAH103890PMA

CARPET OVERMAT SET, 2 piece, aftermarket fitment:
Made from the same quality materials as the 3 piece carpet sets. Features MG logo on each mat. Also included are anti-slip fixings to prevent mat creepage.

RHD	
Black	RP1500BLACK
Grey	RP1500GREY
LHD	
Black	RP1501BLACK
Grey	RP1501GREY



RP1500BLACK

GREY

MG MERCHANDISE

ALL IDEAL GIFT!

MG OFFICIAL MERCHANDISE



ACCESSORIES



Black with white design. Available in S (38"), M (40"), L (42-44"), XL (46"), XXL (48").
MG ROVER T SHIRT **RX1641**



Black with embroidered logos. Available in S (38"), M (40"), L (42-44"), XL (46"), XXL (48").
MG ROVER POLO SHIRT **RX1484**



Blue with embroidered MG logo.
MG WORKSHOP APRON **RX1579MG**



Stylish umbrella in grey/red colour scheme.
MG UMBRELLA **RP1570**



MG PEN KNIFE, 10 functions **RX1757**



MG MULTI-TOOL, 9 functions **RX1758**



MG KEY TOOL, 4 functions **RX1762**

MG PARKING SIGNS



RP1207



RP1208RED



RP1208GREEN

MG PARKING SIGNS:
 Printed alloy, White/Red, 23 x 30cm **RP1207**
 Embossed steel, 30 x 45cm
 Red/White **RP1208RED**
 Green/White **RP1208GREEN**

KEY FOBS



ZMG671002 **RP1533** **ZMG670002**



ZMG670004 **RP1049** **RP1051**



RP1052 **RP1159** **RX1545**

KEY FOBS:
 'MGF' deluxe Red/chrome **ZMG671002**
 'MGF' deluxe Black/chrome **RP1533**
 'MG' Red/chrome (MG Rover) **ZMG670002**
 'MG' Red/black (MG Rover) **ZMG670004**
 'MG' Brown/cream **RP1049**
 'MG' Black/white **RP1051**
 'MG' Red/cream **RP1052**
 'MG' Red/chrome **RP1159**
 Union Flag **RX1545**



MG SCATTER COASTER SET OF 4 **RX1759**



MG LOGO COASTER SET OF 4 **RX1761**

ENAMEL BADGES



ENAMEL BADGE:
 Brands Hatch Circuit **RX1690BH**
 Hockenheim Circuit **RX1690HH**
 Silverstone Circuit **RX1690SS**

PEAK CAP



'RIMMER BROS' PEAK CAP **RX1425PC**

COFFEE MUG



'RIMMER BROS' COFFEE MUG **RX1544A**



PERSONALISED PRINTS

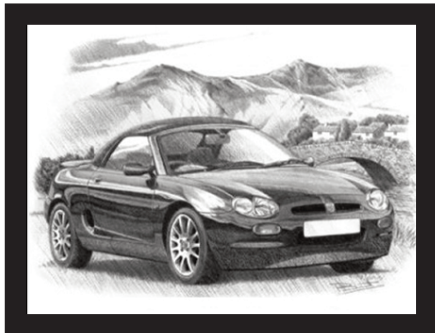
Classic Memories Modern MG Prints

Personalised, mounted print (12"x10") - available in black & white or your vehicle colour.

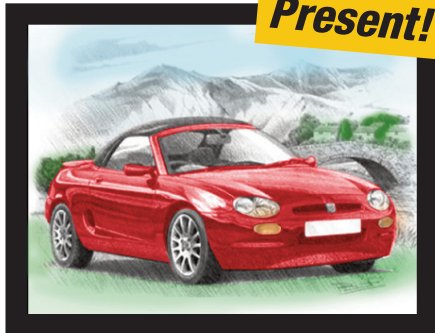
Add your registration number (or wording) to the front licence plate.

Additionally, choose the colour to suit your vehicle!

Ideal Present!



RP1538BW



RP1538COL



RP1539BW



RP1539COL



RP1540BW



RP1540COL

MOUNTED PERSONALISED BLACK & WHITE PRINTS 12" X 10":

Reg number required with order.

- MGF Trophy 160
- MGF 1.8 VVC
- MGTf 2002-2005

- RP1538BW
- RP1539BW
- RP1540BW

MOUNTED PERSONALISED COLOUR PRINTS 12" X 10":

Reg number and colour required with order.

- MGF Trophy 160
- MGF 1.8 VVC
- MGTf 2002-2005

- RP1538COL
- RP1539COL
- RP1540COL

VEHICLE NUMBER PLATES



STANDARD



DELUXE-3D



BLACK - PRESSED ALUMINIUM



BLACK - ACRYLIC



BLACK - ACRYLIC (ENGRAVED)

Number plates can only be sold directly to the owner of the vehicle together with proof of ownership and personal identification.

We will need sight of the following three original documents:-

- Vehicle registration document (V5)
- Driving Licence or utility bill.
- Passport or credit card (with photo ID), or travel/works pass (with photo ID).

Number plates are made to special order.

Please note that it is also now mandatory in the UK for all new number plates to bear the originating suppliers name, postcode and telephone number (i.e. Rimmer Bros).

Vehicle Number Plate - Front;

- Standard
- Standard with 'GB' logo
- Deluxe - 3D effect
- Deluxe - 3D effect with 'GB' logo

- NPF
- NPFGB
- NPF3D
- NPF3DGB

Vehicle Number Plate - Rear;

- Standard
- Standard with 'GB' logo
- Deluxe - 3D effect
- Deluxe - 3D effect with 'GB' logo

- NPR
- NPRGB
- NPR3D
- NPR3DGB

Vehicle Number Plate (Pair) - Black; Black background, Silver letters.

Legal on Vehicles Reg. to 1/1/73.

- Pressed aluminium (PR)
- Acrylic - standard letters (PR)
- Acrylic - engraved letters (PR)

- RX1365
- RX1365B
- RX1365A

Fitting Kit - number plates

Universal kit including 4 self tap screws, 2 white cups, 2 yellow cups & 8 double sided adhesive pads.

NPK

GIFT CERTIFICATES



RIMMER BROS 'GIFT CERTIFICATES':

- £10 value
- £25 value
- £50 value
- £100 value
- £250 value

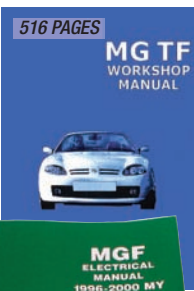
- GIFT CERTIFICATE 10
- GIFT CERTIFICATE 25
- GIFT CERTIFICATE 50
- GIFT CERTIFICATE 100
- GIFT CERTIFICATE 250

Gift Certificates make Ideal Presents!

ORDER

BY PHONE: 01522 568000 / ON LINE: www.rimmerbros.co.uk / E-MAIL: mgrover@rimmerbros.co.uk

WORKSHOP MANUALS



Re-issues of the original factory workshop manuals.

WORKSHOP MANUAL, hardback:

MGF **RP1028**
 MG TF **RP1077**
 MGF Vehicle electrics 1996 to 2000MY **RP1203**

OWNERS' HANDBOOKS



Combined handbook and service record book. Genuine factory publications and quality re-issues of genuine publications:

OWNERS' HANDBOOKS:

MGF all models **RCL0332ENGP**
 MG TF to VIN 4D620548 **VDC000320EN**
 MG TF VIN 4D620549 on **VDC000321EN**
 MG TF Issue 2 **VDC000650EN**

DVD, ORIGINAL TECHNICAL PUBLICATIONS

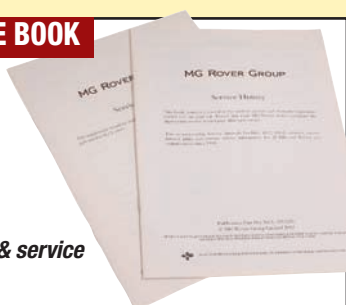
Covers all models 1995-2005 & includes parts fiche, workshop manuals, overhaul manuals (engine and gearbox), electrical libraries and diagrams, technical info, handbooks etc.



DVD, ORIGINAL TECHNICAL PUBLICATIONS: MGF & MG TF

HTP2005

SERVICE BOOK



Servicing intervals & service history

SERVICE BOOK, MGF & MG TF

RCL0512EN

MGF & TF RESTORATION MANUAL

This manual provides a complete workshop guide to mechanical and body restoration for the MGF & MG TF. Ideal for all owners! 304 pages. Hardback

MGF and TF Restoration Manual

Roger Parker

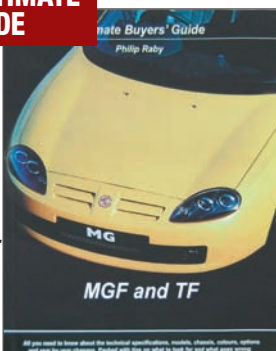


MGF & TF RESTORATION MANUAL

RP1658

MGF & TF ULTIMATE BUYER'S GUIDE

An A5 64 page paperback packed with all the technical specifications, models, chassis, colours, options and year by year change and tips on what to look for and what goes wrong.



MGF & TF ULTIMATE BUYERS' GUIDE

RP1032

MGF & TF: THE COMPLETE STORY

With a deeply researched text, detailed specifications and other data, and over 300 illustrations, mostly in full colour, this book by renowned motoring author and MG expert David Knowles will be a vital addition to the bookshelf of anyone with an interest in modern British sports cars.

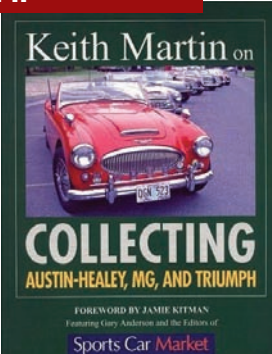


MGF & TF: THE COMPLETE STORY

RP1526

COLLECTING AUSTIN-HEALEY, MG & TRIUMPH

A gold mine of a book full of the pros and cons of sports car ownership, merits of particular makes and models and what to look for (and avoid) when buying a classic. 128 pages.

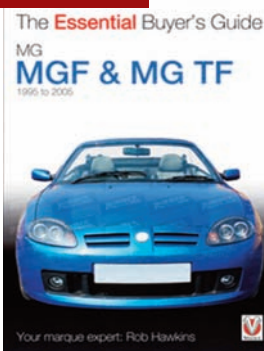


COLLECTING AUSTIN-HEALEY (Written by Keith Martin)
 MG & Triumph Book **RX1478**

THE ESSENTIAL BUYER'S GUIDE MGF & MG TF

How to spot a bad car quickly and how to assess a promising one like a professional. 64 pages.

Written by Rob Hawkins.

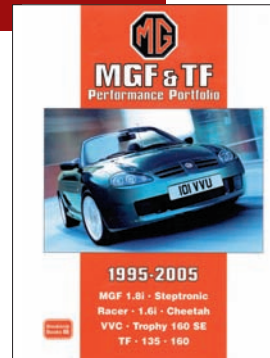


THE ESSENTIAL BUYER'S GUIDE
 MGF & MG TF

RP1528

MGF & TF PERFORMANCE PORTFOLIO

This 128 page Brooklands Books edition covers the range from 1995 to 2005 and is a must for all those owning or wanting a performance version of the marque.



MGF & TF PERFORMANCE PORTFOLIO

RP1029

MG - THE LEGEND, DVD



This British Motor Heritage licensed DVD is around 70 minutes long and covers the story of the MG marque, from early vintage models up to the 2003 model MG Z Saloons. There's a visit during the nineties to see MG RV8's being assembled on the Cowley line and a visit to Longbridge to see the modern MG Z range, including the ZR, ZS, ZT and TF's, rolling off the line.

MG - THE LEGEND, DVD

RP1113

ORDER

BY PHONE: 01522 568000 / ON LINE: www.rimmerbros.co.uk / E-MAIL: mgrover@rimmerbros.co.uk



ENGINE OIL

XPower semi-synthetic engine oil, 10w/40, suitable for climates down to -20°C.



ENGINE OIL: 1 litre 5 litres

XFS1L XFS5L

MANUAL GEARBOX OIL



Correct MTF 94 gear oil for MGF/MG TF manual transmission - use for refill and top up.

MANUAL GEARBOX OIL:

genuine MG Rover MTF 94, 1 litre
genuine Land Rover MTF 94, 1 litre
genuine Land Rover MTF 94, 5 litres

VYK000010 STC9158 STC9157

AUTOMATIC GEARBOX OIL

MG Rover recommends only two lubricants for its em-CVT (also known as 'Stepspeed/Steptronic') gearbox: Esso EZL799 CVT fluid and XPart CVT fluid. Filling or topping up with other lubricants may result in gearbox failure.



Gearbox capacity only for refilling from dry is 4.5 litres, while the oil cooler system contains 1 litre.

AUTOMATIC GEARBOX OIL: XPart CVT fluid, 1 litre

XPT0020020F

ANTI FREEZE & SUMMER COOLANT

MGF and MG TF engines use Organic Acid Technology (OAT) anti-freeze and summer coolant, which is orange/pink in colour. Only anti-freeze containing corrosion inhibitors should be used to top up or refill the cooling system.



MG Rover recommend XPart Long Life OAT. An anti-freeze concentration of 50% by volume (no greater than 60% by volume) is recommended; thus as the cooling system capacity from dry is 10.5 litres, 5.25 litres of anti-freeze is required.

ANTI FREEZE & SUMMER COOLANT:

XPart Long Life OAT:

1 litre 5 litres 20 litres

XP1LL XP5LL XP20LL

RADIATOR RELIEF

COOLING SYSTEM ADDITIVE

Radiator relief allows your radiator to transfer heat more efficiently, reducing your engines operating temperature (which is obviously controlled by the thermostat) by up to 30°F. You therefore have 'a little bit in hand' for those hot days stuck in traffic. This proven coolant additive will also cut engine warm-up time in half which will reduce engine wear which is most extreme when the engine is cold. Fully compatible with water and anti-freeze and is safe with cast iron and all alloys.



A MUST FOR ALL OWNERS

- 30°F lower operating temperature
50% quicker warm up time
Safe with water/antifreeze mixture
Safe with cast iron, alloy engines and heads
Increased engine life!
100% biodegradable, non corrosive, non toxic
For use in all water cooled engines

RADIATOR RELIEF (473ml) Treats 1 engine. RX1461-473

BRAKE/CLUTCH FLUIDS



BRAKE/CLUTCH FLUIDS:

Standard DOT 4 fluid 250ml 500ml 1 litre
Silicone long life DOT 5 fluid Must not be mixed with standard fluid. 500ml 1 litre

S3SHE02 S3SHE05 S3SHE1

RX1327 RX1326

HYDRAGAS/HYDROLASTIC FLUID



HYDRAGAS/HYDROLASTIC FLUID:

genuine MG Rover, 5 litres
aftermarket, 5 litres

VDS000030 S3SHF5

OIL JUGS



CASTROL OIL JUGS:

1/2 Pint 1 Pint 2 Pint All Three Jugs

RX1395 RX1396 RX1397 RX1398



Life Time Cooling

No Water - No Overheating
Classic Cool 180 deg has a boiling point of 180 deg C and will not boil over.

No Water - No Corrosion
Water contains oxygen, oxygen allows corrosion. Classic Cool 180 deg eliminates corrosion.

No Water - No Pressure
Classic Cool 180 deg allows your cooling system to run at a lower pressure, reducing the strain on engine components.

No Water - No Liner Pitting
Classic Cool 180 deg generates significantly less pitting when compared with all water based coolants.

No Water - More BHP
Classic Cool 180 deg eliminates premature detonation associated with overheating.



EVANS CLASSIC COOL 180 - WATERLESS COOLANT; 5 Litre 2 Litre

RX1672 RX1673

EVANS PREP FLUID - 5 Litre
Actively removes the loose dirt and scale from your cooling system which can cause inefficient heat transfer.

RX1674

Waterless Coolants



EVANS POWER COOL 180 - WATERLESS COOLANT; Formulated specifically for use with modern alloy/performance Engines

5 Litre 2 Litre

RX1703 RX1704

EVANS VINTAGE COOL 180 - WATERLESS COOLANT; Formulated specifically for use with vintage Engines

5 Litre

RX1697

TOURING/SAFETY ACCESSORIES



RX1559BP



RX1344



GAC2999



S3SSTR01DS



RX1399



VUB105060



RP1569



GAC9904X

UNIVERSAL PARKING AID KIT **RX1559BP**
Includes four sensors and all fittings.

SPARE BULB KIT:
A legal requirement for travelling in several European countries and a must for touring everywhere.

car set bulb kit (exterior lighting)
Car set of exterior lighting bulbs.
Each bulb is supplied individually. Carry case not supplied.

MGF **VUB105060**
MG TF **VUB002890**

basic bulb kit (exterior lighting)
One exterior lighting bulb of each type.
Each bulb is supplied individually. Carry case not supplied.

MGF **RP1569**
MG TF **RP1569F**

WARNING TRIANGLE **RX1344**
SAFETY VEST, REFLECTIVE **GAC2999**
TOW ROPE **S3SSTR01DS**
FIRST AID KIT **RX1399**
FIRE EXTINGUISHER, 1kg, red, powder **GAC9904X**

GENERAL CONSUMABLES



GAC111



RX1539



RX1554



RX1508



RX1511



GGC102



RX1345



GBF901



GHF6093



GCH112



514578P



RX1257



RX1353A



RX1586



XP1SW

WD-40 (Large 400ml) **GAC111**
K-SEAL REPAIR SOLUTION **RX1554**
Cooling systems.
WONDERWELD (Holts, 250ml) **RX1539-250ML**
RADWELD (Holts, 250ml) **RX1508**
EASYSTART (Bradex) **RX1511**
SILICONE SEALANT (Tube 80ml) **GHF6093**
HYLOMAR (Gasket Sealant) (100g) **GGC102**
EXHAUST JOINING COMPOUND **GCH112**
COPPER EASE (Tube) (Anti-Seize Grease);
70g **RX1345**
500g **RX1585**
BRAKE RUBBER GREASE **514578P**
BRAKE CLEANER (Aerosol) **GBF901**
LOCTITE;
24ml **GAC10024ML**
3ml **GAC100**
ADHESIVE (Trim/Carpets)
1 Litre Tin **RX1353**
370g Aerosol **RX1353A**
SEAM SEALER (Canvas Hoods) **RX1257**
WINDSCREEN DE-ICER (Aerosol) 300ml **RX1586**
SCREENWASH (Concentrated) 1 litre **XP1SW**
LATEX/RUBBER GLOVES (Pack of 100) **RX1406**
Ideal for those really dirty maintenance jobs.



GAC10024ML



RX1353



RX1406

ORDER

BY PHONE: 01522 568000 / ON LINE: www.rimmerbros.co.uk / E-MAIL: mgrover@rimmerbros.co.uk



HOOD CARE



RENOVO

A range of products to clean, renovate and protect your hood cover, tonneau cover or hood storage cover, whether made from vinyl, canvas or mohair material.

- VINYL TOP CLEANER (500ml) RX1529
DRY CLEANER SHAMPOO - Canvas/mohair (300ml) RX1530
SOFT TOP REVIVER - Canvas/mohair Available in black, blue & brown.
500ml size RX1525
1 litre size RX1524
ULTRA PROOFER - Canvas/mohair
500ml size RX1527
1 litre size RX1526
ULTRA PROOFER - Vinyl (500ml) RX1528
PLASTIC WINDOW POLISH:
50ml size RX1531
100ml size RX1532

WHEEL CLEANER



MWS' SPECIALIST WHEEL CLEANER KIT

This specialist wheel cleaning system will help you care for your Classic's wheels.

Suitable for all Steel, Alloy and Wire wheels (including painted & chromed), this wheel cleaning system uses a unique 2-stage process that not only cleans, but gives wheels a superb lasting finish that helps to protect them, making them easier to care for and clean in the future.

MWS' WHEEL CLEANING KIT RX1405

- Kit includes:
Special cleaning solution (580ml).
Wooden handled cleaning brush & dispenser.
Finishing/protection solution (180ml)
2 pair of disposable gloves.

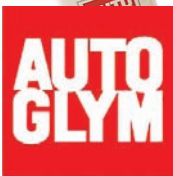
Cleaning solution breaks down brake dust & road grime. Brush & dispenser gets into all those awkward places. Finishing/protection solution leaves wheels like new.

WHEEL POLISH



RIMWAX, WHEEL POLISH & PROTECTOR For alloy wheels RX1262

BODY CARE



AUTOGLYM CAR CARE KITS The following kits work out cheaper than purchasing individual items.

- BASIC CAR CARE KIT RX4079
WASH'N'POLISH KIT RX4080
HOME VALET KIT RX4081
FINISHING TOUCHES KIT RX4082
INTERIOR CARE KIT RX4083
CONNOISSEUR KIT RX1510

AUTOGLYM CAR CARE PRODUCTS INDIVIDUAL ITEMS

- Silicone Resin Polish (325ml) RX1312
Bodywork Shampoo/Conditioner (500ml) RX1313
Car Interior Shampoo (500ml) RX1314
Glass Polish (325ml) RX1315
Cutting Polish (325ml) RX1316
Ultra Deep Shine (500ml) RX1558
Extra Gloss Protection (325ml) RX1317
Bumper Care (325ml) RX1318
Vinyl & Rubber Care (500ml) RX1319
Leather Care Cream (325ml) RX1320
Superglym Chrome Polish (55g) RX1321
Insect Remover (450ml) RX1567
Clean Wheels (500ml)* RX1322
Perfect Polishing Cloth (21sq ft) RX1323
Aqua Dry (Synthetic Chamois) RX1324
Clean Machine (1 Litre) RX1325
Hood Care & Maintenance Kit RX1433
Instant Tyre Dressing RX1368
Intensive Tar Remover RX1367
Alloy Wheel Seal (450ml) RX1698
Silicone spray.

OTHER CAR CARE PRODUCTS

- Sponge RX1415
Wash leather RX1324

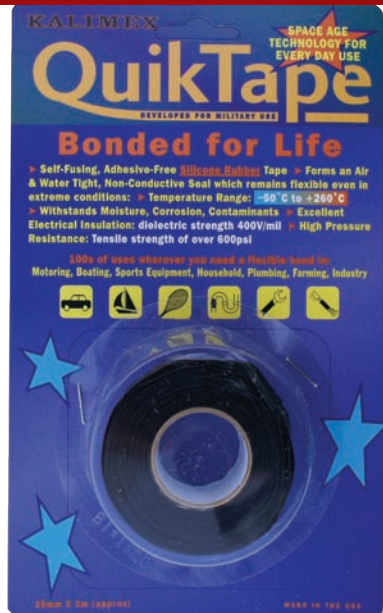
WAXOYL The Original

FINNEGANS ANTI-CORROSION' WAXOYL

- WAXOYL STARTER KIT RX1032
WAXOYL;
5 litre can
Clear
Black
2.5 litre cartridge
HIGH PRESSURE SPRAY GUN
AEROSOL (400ml)
UNDERBODY SEAL;
1 litre
500ml
RX1027
RX1027BLACK
RX1028
RX1030
RX1026
RX1024
RX1023



QUIK TAPE SILICONE RUBBER TAPE



Self adhering and fusing, curing into a solid rubber insulator in less than 24 hours. Resists moisture and temperatures up to 260°C. Gives a tough, permanent insulation seal around electrical connections, hoses, pipes (including exhaust) etc.

QUIK TAPE **RX1479**
Black. 25mm wide x 0.5mm depth x 3m length.

HI-TEMP SHRINK TUBES



These shrink tubes are already supplied with the HT lead kits listed on previous page. They can also be used for many other applications such as an enhanced appearance to any hose or wire, bundle wires as alternative to plastic ties or protecting electrical connections. Available in grey, black, red, blue and in 2 sizes, with a shrink ratio of 3 to 1. Easily installed with naked flame. 18mm size shrinks to 6mm and 12mm size shrinks to 4mm. Supplied in packs of 25.

HI-TEMP SHRINK TUBES;
18mm dia x 38mm long (Pack of 25) **RX1468**
12mm dia x 38mm long (Pack of 25) **RX1469**

THERMAL HEAT SLEEVES



This high temperature sleeving will protect wiring, HT leads, hydraulic hoses and coolant hoses from radiant heat. Two different designs are offered. The fixed tube type is designed to slide over wiring/hoses whereas the velcro type can be easily installed without having to disconnect anything. Easy to cut and shape to suit. Supplied in 3ft lengths.

FIXED TUBE SLEEVE **RX1471**
Supplied in diameters of 0.5", 0.75", 1", 1.25", 1.5"
(all 3ft long)
VELCRO SLEEVE **RX1472**
Supplied in 1 size - 0.5"-1.5" diameter (3ft long).



HEAT & SOUND INSULATION



Designed for insulating floors, bulkheads, transmission tunnels and many other applications from the effects of heat, road noise, engine and transmission noise. Made from an aluminium face bonded to a 1/8" composite fibreglass insulation, then backed to an aggressive adhesive. Tough enough for under vehicle applications and harsh environments where high heat can be a problem. Can also block out up to 50% of unwanted noise. Self adhesive, can be cut with tin snips to any shape.

INSULATION MATERIAL **RX1473**
Supplied in 3 sizes: 2' x 21" (3.5sq ft), 4' x 21" (7sq ft), 4' x 42" (14 sq ft).

HT LEAD & SPARK PLUG PROTECTION



Protect your HT leads and spark plugs from extreme heat and improve the appearance of your engine bay with these top quality products. Ideal for tubular extractor manifold applications where additional heat is generated, but may be fitted to a standard vehicle.

Note: For Manifold insulation wrap, refer to 'Exhausts'.



SPARK PLUG SLEEVES

Manufactured from a fibreglass composite material (no arcing), the sleeves slide over the ends of the HT leads, easy installation. Available in silver, black, red or blue.

SPARK PLUG SLEEVES
2 cylinder kit **RX1462**
Order 2 kits for 4 cylinder, 3 kits for 6 cylinder.
8 cylinder kit **RX1463**



HT LEAD SLEEVES

Made from the same material as the spark plug sleeves - these easy install, snug - fitting sleeves will fit any HT lead up to 10mm in diameter. Also included are hi-temp shrink tubes for a sharp finished appearance. Available in silver, black, red or blue.

HT LEAD SLEEVES
2 cylinder kit **RX1464**
Order 2 kits for 4 cylinder, 3 kits for 6 cylinder.
8 cylinder kit **RX1465**

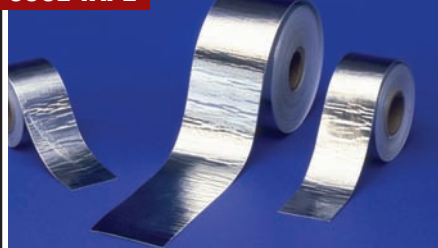


HT LEAD & SPARK PLUG SLEEVE KIT

These kits comprise of both kits listed opposite in one convenient (and cost effective) kit. Colour matched sleeves available in silver, black, red or blue.

HT LEAD & SPARK PLUG SLEEVE KIT
2 cylinder kit **RX1466**
Includes 7ft of HT lead sleeve,
2 plug sleeves & 6 shrink tubes.
Order 2 kits for 4 cylinder, 3 kits for 6 cylinder.
8 cylinder kit **RX1467**
Includes 25ft of HT lead sleeve, 8 plug sleeves
& 25 shrink tubes.

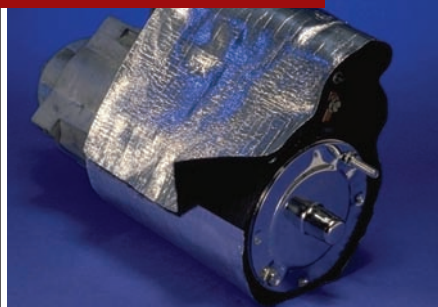
COOL TAPE



Consists of a 1mm aluminised material bonded to a lightweight, woven fibreglass with super strong adhesive backing. Reflects radiant heat. Limitless application, but common uses include wrapping cables, hoses, fuel lines, 'spot' heat retardation areas and sealing gaps in floors or firewalls. The best product on the market! Flexible, strong adhesive and thin for a tight wrap.

COOL TAPE **RX1474**
Available in 13/8" x 15', 13/8" x 30' and 2" x 60' rolls.

UNIVERSAL HEAT SHIELD



This multi-purpose heat shield can be used to protect starter motors, carbs, fuel pumps, electrical boxes, instruments and hydraulic cylinders from intense heat. Easily cut to shape (scissors or knife) it attaches to itself with velcro material. Simply cut off excess material.

UNIVERSAL HEAT SHIELD **RX1470**
7" wide x 24" long

Xpart Trade Pack Consumables

The Trade Pack Consumables shown are what the professional Motor Trade use. They are for general use and are not intended to replace those listed for specific applications elsewhere in this catalogue.

Ideal for having to hand - makes the job enjoyable and go more efficiently.

We also offer a full range of consumables on our website under the XPart Brand.

Go on treat yourself!

METRIC HT SETSCREWS



Quantity: 101
Grade 8.8, Zinc Plated
Sizes: M6 x 40, M8 x 25,
M8 x 40, M8 x 50, M10 x 40, M12 x 50mm

XPart Metric HT Setscrews
CONS105198

SPEED FASTENERS



Quantity: 1000
Round & Rectangular Flat Clips
Imperial Sizes: 1/8", 5/32", 3/16", 1/4".
Metric Sizes: 3, 4, 5, 8mm

XPart Speed Fasteners
CONS1030

METRIC STEEL NUTS



Quantity: 330
Zinc Plated
Sizes: M6, M8, M10, M12

XPart Metric Steel Nuts
CONS1024

METRIC SPRING ROLL PINS



Quantity: 300
Sizes: 2.5 x 24, 2.5 x 40, 3 x 40, 4 x 40,
5 x 40, 6 x 40, 8 x 24, 8 x 55mm

XPart Metric Spring Roll Pins
P1PAT20

METRIC NYLON INSERT LOCKING NUTS



Quantity: 220
DIN982 P Type, Zinc Plated
Sizes: M5, M6, M8, M10, M12, M14, M16

XPart Metric Nylon Insert Locking Nuts
CONS1022

REPAIR WASHERS



Quantity: 230
Mudguard type
Zinc Plated
Sizes: 3/16 x 1", 3/16 x 1 1/2",
1/4 x 1", 1/4 x 1 1/2", 5/16 x 1",
5/16 x 1 1/2", 3/8 x 1 1/2", 3/8 x 2"

XPart Repair Washers
P1PAT08

FORM A FLAT WASHERS



Quantity: 800
Zinc Plated
ID Sizes: 5, 6, 8, 10, 12, 16mm

XPart Form A Flat Washers
P1PAT01

EXHAUST MANIFOLD STUDS & NUTS



Quantity: 80
Stud Sizes: M10 x 52,
M8 x 37, M10 (Fine) x 37,
3/8" (UNF, UNC), 5/16" (UNF/UNC, UNF, UNC)
Brass Nut Sizes: M8, M10 (Fine),
3/8" (UNF, UNC), 5/16" (UNF/UNC)
Copper Flashed Nut Sizes: M10

XPart Exhaust Manifold Studs & Nuts
CONS105217

U NUTS & FLAT CLIPS



Quantity: 510
Imperial & Metric Sizes
U Nut Sizes: No 6, No 8, No 10, No 12, No 14
J Nut Sizes: No 14

XPart U Nuts & Flat Clips
CONS1168

O CLIPS



Quantity: 125
Zinc Plated
Sizes: 3/8" (8 - 11mm),
7/16" (9 - 11mm), 1/2" (11 - 13mm),
9/16" (13 - 15mm), 5/8" (15 - 18mm),
3/4" (17 - 20mm), 7/8" (20 - 23mm)

XPart O Clips
CONS1070

RUBBER GROMMETS - BLANKING & WIRING (CABLE)



Quantity: 240
Blanking Sizes:
8, 9.5, 12.5, 16.3, 19, 25.4mm
Wiring (Cable) Sizes:
6.4 x 4.75, 9.5 x 6.4, 9.5 x 8, 12.5 x 9.5,
12.5 x 11, 16 x 12.5mm

XPart Rubber Grommets -
Blanking & Wiring (Cable)
CONS105144

PIPE REPAIR KIT - O CLIPS & PIPE JOINERS



Quantity: 72
Zinc Plated
Joiner Sizes: 1/4", 5/16",
3/8", 1/2", 5/8",
O Clips Sizes: 1/2", 9/16", 5/8",
3/4", 7/8" (17 - 20mm)

XPart Pipe Repair Kit -
O Clips & Pipe Joiners
CONS1175

IMPERIAL (UNF & BSP) GREASE NIPPLES



Quantity: 121
Angled & Straight Zinc Plated
BSP Sizes: 1/8" (Hex, Straight, 45°, 90°),
1/4" (Straight)
UNF Sizes: 1/4" (Straight, 45°, 90°), 1/4"
Long (Straight)

XPart Imperial (UNF & BSP)
Grease Nipples
CONS1071

RING & FORK TERMINALS



Quantity: 200
Pre-Insulated Forks:
3.7 (Red, Blue), 5.3mm (Red, Blue),
Rings: 3.2 (Red, Blue), 3.7 (Red, Blue),
5.3 (Red, Blue, Yellow), 6.4 (Red, Blue),
8.4 (Blue, Yellow), 10.5mm (Yellow)

XPart Ring & Fork Terminals
CONS105164

STRETCH FABRIC & WATERPROOF FIRST AID ADHESIVE PLASTERS



Quantity: 120
Individually Wrapped
Fabric Sizes:
7 x 2.4mm, 7 x 3.8mm

XPart Stretch Fabric & Waterproof
First Aid Adhesive Plasters
CONS1179

PUSH ON TERMINALS



Quantity: 200
Pre-Insulated
Sizes: 2.8, 4.8, 6.3, 9.0mm
Colours: Red, Blue, Yellow
Types: Male Piggy Backs,
Fully Insulated Female Spades, Male Blades,
Bullets, Receptacle Sockets, Butt Connectors

XPart Push on Terminals
CONS1005

AUTO FUSES



Quantity: 35
Standard Size Blade Fuses
Rating: 3, 5, 7.5,
10, 15, 20, 25, amp

Spare Fuse Pack
R01152

INSULATED TERMINALS & CRIMPING TOOL



Quantity: 206
Contains Popular Red &
Blue Pre-Insulated Terminals

XPart Insulated Terminals
& Crimping Tool
CONS105254

HEAT SHRINK TUBING - 50MM & 70MM LENGTHS



Quantity: 160
Diameter x Length:
3.2 x 50, 4.8 x 50, 12.7 x 70mm
Black, Blue, Red & Yellow

XPart Heat Shrink Tubing -
50mm & 70mm Lengths
CONS105186

PUNCTURE REPAIR KIT



33 Piece Set
Contains:
Vulcanising Fluid
(Cement),
Waterproof Crayon Marker, Patches
Patch Diameter Sizes: 45, 55, 60, 80mm

XPart Puncture Repair Kit
CONS1176

NO PLATE FIXINGS



Quantity: 240 Sets
Cap, Dome & Screws
(PZD 8 x 3/4") Nylon Nuts & Bolts
(1" long slotted bolts) White, Yellow & Black

XPart No Plate Fixings
CONS1032

SOLDERLESS NIPPLES

Quantity: 48

Barrel Side Screw
Size: 6mm

Barrel Top Screw
Sizes: 6, 8mm



XPART SOLDERLESS NIPPLES

CONS1130

TERMINAL BLOCKS - 15 AMP

Quantity: 10



12 Per Strip
Amp: 15
Wire Diameter: 10mm²

XPART TERMINAL BLOCKS - 15 amp

CONS2272

BATTERY ACID TESTER

Quantity: 1



XPART BATTERY ACID TESTER

CONS295230

STEEL WOOL

Quantity: 15



Industrial Quality
Grades: Fine, Medium
Coarse

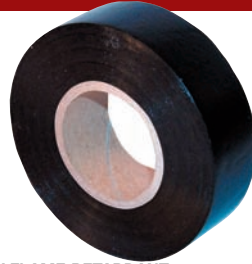
XPART STEEL WOOL

CONS1163

HIGH QUALITY FLAME RETARDANT PVC INSULATION TAPE

Quantity: 10

Colour: Black
19mm x 20m rolls



XPART HIGH QUALITY FLAME RETARDANT
PVC INSULATION TAPE (PACK OF 10)

CONS2342

STANDARD CABLE TIES - BLACK

Quantity: 200
High Grade Nylon 6.6



Sizes:
2.5 x 100
3.6 x 140
4.8 x 200
4.8 x 295
4.8 x 370
7.6 x 370mm

XPART STANDARD CABLE TIES - Black

CONS2150

POWERFIT ANAEROBIC ADHESIVES - LARGE BOTTLES

Set of 3

Contains:
Nut Lock
Stud Lock
Retaining

50ml bottles



XPART POWERFIT ANAEROBIC ADHESIVES -
Large Bottles

CONS1184

1MM² SINGLE CORE AUTO CABLE

Quantity: 1

14/030. 8.75 amp

Colour:
Black or Red

Reel: 50m

XPART 1MM² SINGLE CORE AUTO CABLE -
Black
Red

CONS2021
CONS2020



'SNAP-LOCKING' SPLICE CONNECTORS - BLUE

Pack of 10
Blue
1.0 - 1.5mm²

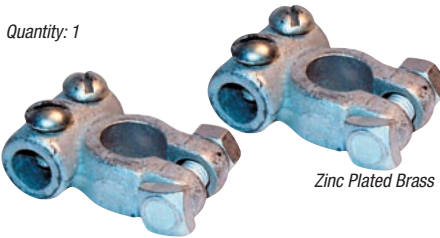


SCOTCHLOK (blue) - kit of 10

RX1419K10

12V BATTERY TERMINAL - POSITIVE & NEGATIVE

Quantity: 1



Zinc Plated Brass

BATTERY TERMINAL -
Positive
Negative

GHF2755
GHF2750

400AMP JUMP LEAD BOOSTER CABLES - 3M

Quantity: 1 Set



Working Length:
3m (12ft)

XPART 400AMP JUMP LEAD
BOOSTER CABLES - 3m

S3SSJL400DS

RECTANGULAR FUNNEL - 12INCH



Complete
with stainless
steel filter.

12" (300mm)

XPART RECTANGULAR FUNNEL - 12inch

CONS4070

RUBBER LINED P CLIPS

Quantity: 30

EPDM Rubber

Zinc Plated Mild Steel

Cable Diameter Sizes: 6, 8, 10, 13, 16, 21, 29, 35mm

XPART RUBBER LINED P CLIPS

CONS110152



METRIC O RING BOX SET

Quantity: 404

ID x Thickness in mm x 2: 3, 4, 5, 6, 7, 8, 10
ID x Thickness in mm x 2.5: 10, 11, 12, 14, 16,
17, 19

ID x Thickness in mm x 3:

19, 20, 22, 24, 25, 27, 28, 30, 32, 33, 35, 36, 38

ID x Thickness in mm x 4: 38, 41, 44

XPART METRIC O RING BOX SET

P1PXP136



POLISHING CLOTH

Quantity: 1 Roll (10m approx)

800g Stockinette Roll



XPART POLISHING CLOTH

4M0803

GENERAL FASTENERS

BOLTS (Imperial)

Bolts have a NON Threaded Shoulder.
The threaded length can be calculated by multiplying the diameter by 2 and adding 1/4".

Thread Diameter	Bolt Length	Thread Type	Thread Pitch	PART NUMBER	Spanner Size
1/4"	1.5"	UNF	—	GHF102	7/16" AF
1/4"	2"	UNF	—	GHF118	7/16" AF
5/16"	1.5"	UNF	—	GHF104	1/2" AF
5/16"	2"	UNF	—	GHF121	1/2" AF
3/8"	1.5"	UNF	—	GHF106	9/16" AF
3/8"	3"	UNF	—	GHF126	9/16" AF
1/2"	2"	UNF	—	BH608161	3/4" AF
1/2"	2.5"	UNF	—	BH608201	3/4" AF
1/2"	3"	UNF	—	BH608241	3/4" AF
5/8"	3"	UNF	—	GHF113	15/16" AF
5/8"	4"	UNF	—	BH610321	15/16" AF

BOLTS (Metric)

Bolts have a NON Threaded Shoulder.
The threaded length can be calculated by multiplying the diameter by 2 and adding 6mm.

Thread Diameter	Bolt Length	Thread Type	Thread Pitch	PART NUMBER	Spanner Size
M 6	40mm	Metric Fine	1.0	GHF132	10mm
M 8	40mm	Metric Fine	1.25	GHF134	13mm
M 10	40mm	Metric Fine	1.5	GHF136	17mm
M 12	50mm	Metric Fine	1.75	BH112101	19mm
M 12	60mm	Metric Fine	1.75	BH112121	19mm
M 12	80mm	Metric Fine	1.75	BH112161	19mm
M 16	60mm	Metric Fine	2.0	BH116121	21mm
M 16	80mm	Metric Fine	2.0	BH116161A	21mm

SET SCREWS (Imperial)

Set screws are Fully Threaded.

Thread Diameter	Bolt Length	Thread Type	Thread Pitch	PART NUMBER	Spanner Size
1/4"	3/4"	UNF	—	GHF117	7/16" AF
1/4"	1"	UNF	—	GHF101	7/16" AF
5/16"	3/4"	UNF	—	GHF120	1/2" AF
5/16"	1"	UNF	—	GHF103	1/2" AF
3/8"	1"	UNF	—	GHF105	9/16" AF
7/16"	1.5"	UNF	—	GHF107	5/8" AF
1/2"	1.5"	UNF	—	GHF109	3/4" AF
1/4"	1"	UNC	—	GHF161	7/16" AF
1/4"	1.5"	UNC	—	SH504121	7/16" AF
5/16"	1"	UNC	—	GHF163	1/2" AF
5/16"	1.5"	UNC	—	GHF164	1/2" AF
3/8"	1"	UNC	—	GHF165	9/16" AF
3/8"	1.5"	UNC	—	GHF166	9/16" AF

SET SCREWS (Metric)

Set screws are Fully Threaded.

Thread Diameter	Bolt Length	Thread Type	Thread Pitch	PART NUMBER	Spanner Size
M 6	25 mm	Metric Fine	1.0	GHF131	10mm
M 8	25 mm	Metric Fine	1.25	GHF133	13 mm
M 10	25 mm	Metric Fine	1.5	GHF135	17mm

STEEL NUTS (Plain NON Locking - Imperial)

Thread Diameter	Thread Type	Thread Pitch	PART NUMBER	Spanner Size
3/16"	UNF	—	HN2005	3/8" AF
1/4"	UNF	—	GHF200	7/16" AF
5/16"	UNF	—	GHF201	1/2" AF
3/8"	UNF	—	GHF202	9/16" AF
7/16"	UNF	—	GHF203	5/8" AF
1/2"	UNF	—	GHF204	3/4" AF
1/4"	UNC	—	GHF207	7/16" AF
5/16"	UNC	—	GHF208	1/2" AF
3/8"	UNC	—	GHF209	9/16" AF

STEEL NUTS (Plain NON Locking - Metric)

Thread Diameter	Thread Type	Thread Pitch	PART NUMBER	Spanner Size
M 4	Metric Fine	0.7	NH104041	7mm
M 6	Metric Fine	1.0	GHF212	10mm
M 8	Metric Fine	1.25	GHF213	13mm
M 10	Metric Fine	1.5	GHF214	17mm
M 12	Metric Fine	1.75	GHF215	19mm

STEEL NUTS (Nylon Insert Self Locking - Imperial)

Thread Diameter	Thread Type	Thread Pitch	PART NUMBER	Spanner Size
3/16"	UNF	—	GHF220	5/16" AF
1/4"	UNF	—	GHF221	7/16" AF
5/16"	UNF	—	GHF222	1/2" AF
3/8"	UNF	—	GHF223	9/16" AF
7/16"	UNF	—	GHF224	5/8" AF
1/2"	UNF	—	GHF225	3/4" AF
5/8"	UNF	—	138565	15/16" AF

STEEL NUTS (Nylon Insert Self Locking - Metric)

Thread Diameter	Thread Type	Thread Pitch	PART NUMBER	Spanner Size
M 6	Metric Fine	1.0	NY106041	10mm
M 8	Metric Fine	1.25	GHF232	13mm
M 10	Metric Fine	1.5	GHF233	17 mm
M 12	Metric Fine	1.75	NY112041	19mm

BRASS NUTS (Standard & Deep Section - Imperial)

Thread Diameter	Thread Type	Thread Pitch	PART NUMBER	Spanner Size
5/16" Std	UNF	—	515369	1/2" AF
3/8" Std	UNF	—	GHF262	9/16" AF
3/8" Deep	UNF	—	AEC350	9/16" AF

WASHERS (Imperial)

Internal Diameter	Plain Standard Diameter	Repair Large Diameter	Spring Standard Diameter	Shakeproof Standard Diameter
	PART NUMBER	PART NUMBER	PART NUMBER	PART NUMBER
3/16"	WP20	—	—	—
1/4"	GHF300	GHF314	GHF331	GHF321
5/16"	GHF301	GHF315	GHF332	GHF322
3/8"	GHF302	GHF316	GHF333	GHF323
7/16"	WC600071	—	GHF334	GHF324
1/2"	WA112081	—	GHF335	GHF325
5/8"	PWZ110	—	LWZ310	LWZ410

WASHERS (Metric)

Internal Diameter	*Plain Standard Diameter	*Repair Large Diameter	Spring Standard Diameter	Shakeproof Standard Diameter
	PART NUMBER	PART NUMBER	PART NUMBER	PART NUMBER
M 6	GHF300	GHF314	WL106001	GHF371
M 8	GHF301	GHF315	GHF382	WF108001
M 10	GHF302	GHF316	GHF383	WF110001
M 12	GHF304	—	WL112001	WF112001
M 16	PWZ110	—	WL116001	WF116001

*Please Note: Some plain and repair washers are suitable for imperial and metric applications eg: GHF300 = 1/4" ID or 6mm ID.

SELF TAPPING SCREWS

Pan Head - Pozi Drive

Screw Size No	Screw Length	PART NUMBER
6	1/2"	GHF421
6	3/4"	GHF422
8	1/2"	YZ3404
8	3/4"	GHF424
10	1/2"	GHF425
10	3/4"	YZ5505
12	1/2"	GHF427
12	3/4"	GHF428
12	1"	GHF429
14	3/4"	GHF430
14	1"	GHF431

SPLIT PINS (Imperial)

Pin Thickness	Pin Length	PART NUMBER
1/16"	1.5"	GHF500
5/64"	1.5"	GHF501
3/32"	1.5"	PC34
7/64"	1.5"	GHF503
1/8"	2.25"	PC15
9/64"	2.25"	GHF505
5/32"	2.25"	GHF506
11/64"	2.25"	GHF512
3/16"	3"	GHF513
7/32"	3"	PS614240
1/4"	3"	PS616240

SELF TAPPING SCREWS

Countersunk - Pozi Drive

Screw Size No	Screw Length	PART NUMBER
6	1/2"	GHF400
6	3/4"	GHF401
8	1/2"	GHF402
8	3/4"	GHF403
10	1/2"	GHF404
10	3/4"	GHF405
12	1/2"	AC612041A
12	1"	AC612081
14	3/4"	AC614061
14	1"	AC614081

SPLIT PINS (Metric)

Pin Thickness	Pin Length	PART NUMBER
2.0mm	40mm	PS104400
2.5mm	40mm	GHF509
3.2mm	56mm	GHF510
4.0mm	56mm	GHF511

'P' CLIPS

Part Number	Cable Diameter	Fixing Hole size
PCR207	1/8"	7/32"
PCR307	3/16"	7/32"
PCR309	3/16"	9/32"
PCR311	3/16"	11/32"
PCR407	1/4"	7/32"
PCR409	1/4"	9/32"
PCR411	1/4"	11/32"
PCR507	5/16"	7/32"
PCR509	5/16"	9/32"
PCR511	5/16"	11/32"
PCR607	3/8"	7/32"
PCR609	3/8"	9/32"
PCR611	3/8"	11/32"
PCR707	7/16"	7/32"
PCR709	7/16"	9/32"
PCR711	7/16"	11/32"
PCR807	1/2"	7/32"
PCR809	1/2"	9/32"
PCR811	1/2"	11/32"
PCR813	1/2"	13/32"
PCR1007	5/8"	7/32"
PCR1009	5/8"	9/32"
PCR1011	5/8"	11/32"
PCR1207	3/4"	7/32"
PCR1209	3/4"	9/32"
PCR1211	3/4"	11/32"
PCR1407	7/8"	7/32"
PCR1409	7/8"	9/32"
PCR1411	7/8"	11/32"
PCR1607	1"	7/32"

Metric Sized

CP105081	8mm	5mm
CP108101	10mm	8mm
CP108121	12mm	8mm
CP106161	16mm	6mm
CP108165	16mm	8mm

HOSE CLIPS Use as required.

3/8" to 1/2"	GHC304
7/16" to 5/8"	GHC405
1/2" to 3/4"	GHC406
5/8" to 7/8"	GHC507
3/4" to 1"	GHC608
7/8" to 1.1/8"	GHC709
1" to 1.3/8"	GHC811
1.1/8" to 1.5/8"	GHC913
1.3/8" to 2"	GHC1015
1.1/2" to 2.1/8"	GHC1217
2" to 2.3/4"	GHC1622

GREASE NIPPLES

Part Number	Thread Size	Angle
UHN400	1/8" BSP	straight, short
UHN445	1/8" BSP	45° angle
LN30041	1/8" BSP	90° angle
144825	1/8" BSP	straight, long
56935	1/4" BSP	straight
125361	1/4" BSP	45° angle
56934	1/4" BSP	90° angle

POP RIVETS

Part Number	Size
Open End Type	
RA607096	2.9mm x 5mm
RA608126	1/8" x 3/16"
RA608176	1/8" x 1/4"
RA608236	1/8" x 5/16"
RA608253	1/8" x 3/8"
Closed End Type	
RU608123	1/8" x 3/8"
RU608313	1/8" x 1/2"
RU612123	3/16" x 5/16"

CABLE TIES

Part Number	Diameter
GHF1265	3 1/2"
GHF1266	5 1/4"
RTC222A	6"
GHF1267	8 3/4"
GHF1268	11"

PIPES AND FITTINGS

Part Number	Material	Size
Brake and Fuel Pipe		
<i>Supplied in 25 footrolls.</i>		
MPKF125	CUPRO-NICKEL	3/16" Dia.
MPKF225	CUPRO-NICKEL	1/4" Dia.
MPKF325	CUPRO-NICKEL	5/16" Dia.
EF125	STEEL	3/16" Dia.
EF225	STEEL	1/4" Dia.
EF325	STEEL	5/16" Dia.
Pipe Nuts - Male, Steel.		
TM606031	3/8" UNF	3/16"
TM110051	10mm x 1mm	3/16"
LK21994	3/8" BSF	3/16"
BCA4370	7/16" UNF	3/16"
BHA4706	7/16" UNF	1/4"
AUS40A	1/2" UNF	5/16"

Pipe Nuts - Male, Brass.

AEHU1	3/8" UNF	3/16"
AEHU2	10mm x 1mm	3/16"
AEHU3	3/8" BSF	3/16"
AEHU7	7/16" UNF	1/4"

Pipe Nuts - Female, Steel.

TN606031	3/8" UNF	3/16"
SU2A	10mm x 1mm	3/16"
SU4A	7/16" UNF	1/4"
HU41A	1/2" UNF	5/16"

Pipe Nuts - Female, Brass.

AEHU1A	3/8" UNF	3/16"
AEHU2A	10mm x 1mm	3/16"
AEHU4A	7/16" UNF	1/4"

Part Number	Thread Size
Bleed Screws	
556508A	3/8" UNF
608400A	10mm metric
27H7166	3/8" BSF
Part Number	Capacity
Pipe Clips	
GHF1191	SINGLE, 3/16"
GHF1192	SINGLE, 1/4"
624155	DOUBLE, 3/16"

	PAGE		PAGE		PAGE		PAGE
A		C		E		H	
ABS components	55	Cable, accelerator	27	E.C.U. engine, gearbox	65	Handbrake	59
Accelerator cable	27	Cable, bonnet	87	Eibach road springs	48, 136	Handbrake cable	59
Accessories	133-156	Cable, handbrake	59	Electric door mirrors	99	Handbrake gaiter & grip	59, 115, 147
Aerial, radio	73	Cable, speedometer	77	Electrics	63	Hardware & fasteners	157-159
Aerosol paints	131	Caliper, brake	55	Electrics, instruments & switches	77, 79	Hard top	129, 145
Air bags	75	Cam locking tool	11, 133	Engine oil	15, 153	Harness, wiring	81
Air compressor, tyres	51, 137	Camshaft	15	Engines & Components	9	Head, cylinder & gaskets	13
Air conditioning	25	Camshaft sensor	65	Engine guard	121	Headlamps	67
Air filter	27	Car covers	145	Engine mounts	17	Headlamp stalk	79
Air horns	71	Carpet mats (overmats)	121	Engine sensors	65	Head rests	103
Air intake grilles	87, 93, 95	Carpets	119	Engine service kits	9, 133	Heat shields	31, 134
Alarm	75	Catalyst, exhaust	31	Evaporator, a/c	25	Heat sleeves, tubes, tape	156
Alloy wheels	49	Centre & rear body panels	85	Exhaust	31	Heated rear window	123, 129
Alternator	63	Centre console	115, 117	Exhaust heatshield	31	Heater & controls	23
Anti-roll bar, front	39, 41	Chemicals & additives	153, 154, 155	Exhaust manifold	31	Heater hoses	23
Anti-roll bar, rear	43, 45	Cigar lighter	79	Exhaust system, standard & sport	31	Heater control knobs	23, 117
Antifreeze	21, 153	Clock	77	Exhaust valve	13	Heater matrix	23
Ashtray	115	Clutch	17	Expansion overflow tank, radiator	19	Heater pipes, engine bay	21
Audio system	73	Clutch fluid	17, 153			Heater pipes, under floor	19
Autoglym products	155	Coil, ignition	63	F		Heating & air conditioning	23, 25
Automatic gearbox	37	Compressor, air conditioning	25	Fan, cooling	19	History, MGF	5
		Condenser, air conditioning	25	Fascia, interior	111	Hood care	125
		Consumables, oil, antifreeze, fluids etc	153, 154	Fasteners	157-159	Hood cover & frame	123, 125, 144
B		Control units & sensors	65, 73	Filler cap, fuel	36	Hood rear window	123, 144
Badges	89, 95, 142	Coolant	21, 153	Filter, air	27	Hood stowage cover	127, 144
Ball joint, steering	61	Coolant temperature switch	19, 65	Filter, oil	9	Hoops, roll	127, 144
Ball joint socket tool	134	Coolant pipes, underfloor	19, 134	Filter, fuel	29	Horn	71
Ball joint, suspension arm	39, 41	Coolant pipes, engine bay	21, 134	Fire extinguisher	154	Hoses, coolant	19, 21
Battery	75	Coolant, waterless	153	First aid kit	154	HT Leads	63
Battery charger	75, 141	Cooling fan	19	Floor mats	121	Hubs, front	39, 41
Bearings, wheel	39, 41, 43, 45	Covers, rear lamps, interior	69	Fluid, brake	57	Hubs, rear	43, 45
Bearings, engine	9	Crankshaft	9	Flywheel	9	Hydragas unit & oil	39, 43, 153
Body fittings, front	87-90	Crankshaft sensor	65	Fog lamps	67		
Body fittings, rear	91-96	CV joints	43, 45	Foot pump	51, 138	I	
Body panels, centre & rear	85	Cylinder block	9	Footwell overmats	121	Ignition system	63
Body panels, front	83	Cylinder head	13	Frame, hood	125	In-car entertainment	73
Body side mouldings	87-96			Front body panels	83	Indicator	67
BodysHELL	83	D		Front brakes	53, 55	Injectors, fuel	27
Bolts & fasteners	157-159	Dash	111	Front hub	39, 41	Inlet manifold	27
Bonnet & fittings	83, 87	Decals & VIN plates	131	Front shock absorbers	39, 41, 47	Inlet valve	13
Books	152	Delivery methods	4	Front Suspension	39, 41	Inspection lamps	141
Bootlid & fittings	85, 91	Differential	35	Front Wing & fittings	83, 87	Instruments	77
Boot bag	143	Dipstick	9	Fuel Filler cap	36	Intake grilles	87, 93
Boot racks	91, 143	Distributor cap	63	Fuel filter	29	Interior lamp	69
Boot trim	121	Dis-car-nect	76	Fuel injector	27	Interior trim	101
Braided hoses, brake	59, 139	Discs, brake	53, 55	Fuel pressure regulator	27, 133	Inverter, power	141
Brake caliper paint	131, 139	Door fittings	97	Fuel pump	27		
Brake calipers	55	Door handles	97	Fuel tank	27	J	
Brake caliper piston tool	139	Door lock sets	97	Fuses	73	Jack & tools	51
Brake discs	53, 55	Door mirrors	99			Jump start kit	141
Brakes, uprated	53, 139	Door seals	97, 109	G			
Brake fluid	57, 153	Doors & skins	83, 97	Gaiter, gear lever	33, 37, 117, 147		
Brake hoses	59, 139	Door treadplates	89, 109	Gaiter, handbrake	59, 115, 147		
Brake kit, uprated, front	53	Door trim panels	105, 107, 109	Gasket sets, engine	9, 13		
Brake light, high level	69, 140	Drip tray, oil	133	Gaskets & oil seals, gearbox	33, 37		
Brake light switch	57	Drive shafts	43, 45, 63	Gauges, instruments	77		
Brake master cylinder	57	Drive belts	11	Gear change cable	33, 134		
Brake pads	53, 55	DVDs	152	Gear knobs	33, 147		
Brake pipes	59			Gear lever gaiters	33, 37, 117, 147		
Brake servo	57			Gear oil	35, 37, 153		
Breather hoses, engine	29			Gearbox mountings	17		
Bulbs	67, 69, 77			Gearbox, automatic	37		
Bumper, front	87, 89			Gearbox, manual	33		
Bumper, front, MG Motor TF conversion	89, 143			Gift certificates, Rimmer Bros	151		
Bumper, rear	91			Glass, door	97		
Bush kits, suspension	48			Glass, windscreen	99		
Bushes, suspension	39, 41, 43, 45			Glove box	113		
Bushes, uprated polyurethane	39, 41, 43, 45, 49			Gloves, disposable	154		
				Grille kits	142, 87, 93, 95		



L

Labels & decals	131
Lambda sensor, exhaust	65
Lamps, front & rear	67, 69
Lead, ignition	63
Leather seats	101
LED bulbs	67, 69, 140
Limited Slip Differential	35
Loadspace trim	121
Lock sets (door, ignition, fuel etc)	61
Locking wheelnuts	51, 138
Lubricants & fluids	153
Luggage racks	91, 143

M

Manifold, exhaust	31
Manifold, inlet	27
Master cylinder, brake	57
Master cylinder, clutch	15
Matching lock sets	61
Mats, floor	121
Mesh cover, rear silencer	31, 137
MG parking signs	150
MG regalia	150
Mirror, door	99
Mirror, rear view	99
Mountings - engine & gearbox	17
Mudflaps	51, 138

N

Nitrile gloves	154
Number plate lamp	69
Number plates	151

O

Oil & fluids	153
Oil cooler, engine, factory	9
Oil cooler kit, engine, universal	15, 133
Oil cooler, auto gearbox	37
Oil drip tray	133
Oil filler cap	9
Oil filter	9
Oil pressure gauge	77
Oil pressure switch	65
Oil pump	9
Oil rail set, strengthened	9, 133
Oil seals, engine	9
Oil seals, gearbox	33, 37
Oil temperature transducer	65
Ordering information	3
Overflow tank, radiator	19
Overmats	121
Owner's handbooks	152

P

Pads, brake	53, 55
Paint	131
Parking distance control	75, 154
Personalised prints	151
Pipes, coolant	19, 21, 134
Pipes, brake	59
Pipes, fuel	29
Pistons, engine	9
Polyurethane bushes	39, 41, 43, 45, 49, 136
Popular parts	7
Power steering system	61
Pressure cap, coolant	19
Production data	5
Pump, oil	9
Pump, water	19

Q

Quickfinder - fast moving parts	7
---------------------------------	---

R

Radiator	19
Radiator cap, coolant	19
Radiator fan	19
Radiator grille	87
Radiator hoses	19, 21
Radiator pipes, under floor	19
Radweld	154
Radio	73
Rear brakes	53, 55
Rear hub	43, 45
Rear lamps & covers	69, 140
Rear shock absorbers	43, 45, 47
Rear suspension	43, 45
Rear view mirror	99
Rear wing & fittings	85, 91
Regulator, window	97
Relays	73
Renovo hood treatment	155
Roadwheels	49
Roll hoops	127
Rotor arm	63
Rubber mats	121

S

Seals, oil	9, 33, 37
Seat belts	103
Seat re-trim kits	103
Seats	101
Sender unit, fuel	27
Sensors, engine	65
Sensor, throttle, fuel	27
Service kits	9
Servo, brake	57
Shock absorbers, front	39, 41, 47
Shock absorbers, rear	43, 45, 47
Side repeater lamp conversion	67
Sills	85
Slave cylinder, clutch	15
Sleeves, thermal	156
Soft top and frame	123, 125
Sound insulation	121, 156
Spare wheel stowage	51
Spark plugs	63
Spax	47, 135
Speedometer	77
Spoiler	89, 91
Sports exhaust system, stainless steel	31, 137
Sportster hood	123, 144
Spring, road	39, 41, 43, 45
Spring, road, uprated	136
Stainless steel braided brake hoses	59, 139
Stainless steel coolant pipes	19, 21, 134
Stainless steel exhaust system	31
Starter motor	63
Steering column	61
Steering lock	61
Steering rack	61
Steering wheel	61
Steering, PAS system	61
Stowage cover, hood	127
Stub axle	39, 41
Subframe, front	39, 41
Subframe, rear	43, 45
Sump	9
Sump drain plug, improved	133
Sun visors	99
Suplex Coil Spring Kit	39, 43, 47, 135
Suspension, front	39, 41
Suspension, rear	43, 45
Suspension packages	47, 135
Switch, electric windows	79
Switches and controls	79

T

T bar trim	117
T shirts	150
Tachometer	77
Tappet, engine	13
Technical publications	152
Temperature gauge	77
Temperature sender unit	19, 65
Thermostat, coolant	19, 21
Thermostat, PRT	21
Threshold plates	89, 109
Throttle body	27, 133
Timing belts & kits	11
Tool kit, jack etc	51, 137
Torque converter	37
Touch-in paints	131
Track rod ends	61
Tray, drip, oil	133
Tread plate	89
Triangle, warning	154
Trim identification, colours etc	101, 105
Tyre pressure monitor	138
Tyre valve caps	51
Tyre weld	138

U

Umbrella, MG	150
--------------	-----

V

Valve cap sets MG, tyres	138
Valves, guides, springs	13
Vehicle identification (VIN)	6
Vouchers, Rimmer Bros	151
VIN plates	131
Visors, sun	99
VVC Unit	15

W

Warning triangle	154
Wash/wipe stalk	79
Washer bottle	71
Washer jet	71
Washer pump	71
Water level sensor kit	19, 133
Water pump	19
Water pipes, under floor	19
Water pipes, engine bay	21
Waxoyl	155
Weatherstrip, door	97
WD40	154
Wheel bearings	39, 41, 43, 45
Wheel centre caps	51
Wheel cleaner	155
Wheel nuts	51
Wheel nuts, locking	51
Wheels, alloy	49
Wind deflectors	127, 144
Window, rear, hood	123
Window regulator	97
Windscreen	99
Windscreen washers	71
Wiper arms	71
Wiper blades	71
Wiper motors	71
Wing, front	83, 87
Wing, rear	85
Wiring harnesses	81
Work Lamps	141
Workshop Manuals	152

NOTES

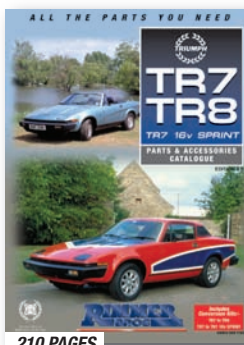
Empty box for notes.



298 PAGES



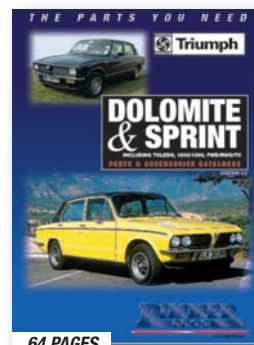
210 PAGES



210 PAGES



170 PAGES



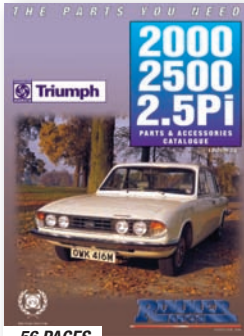
64 PAGES



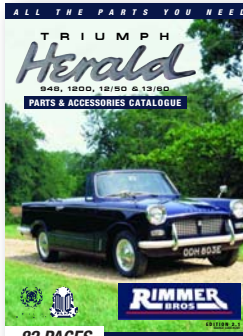
194 PAGES



76 PAGES



56 PAGES



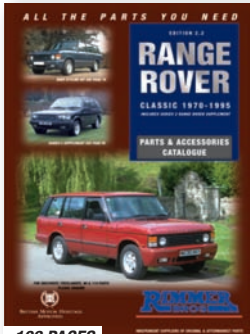
82 PAGES



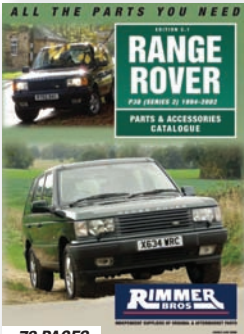
82 PAGES



106 PAGES



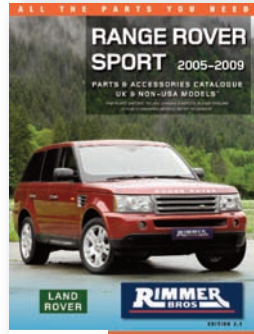
106 PAGES



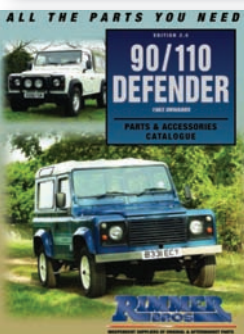
72 PAGES



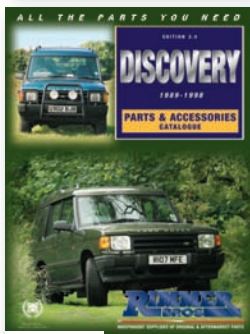
130 PAGES



130 PAGES



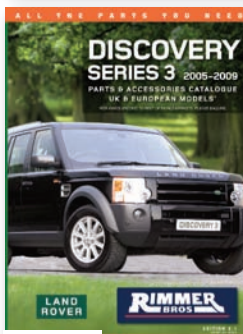
108 PAGES



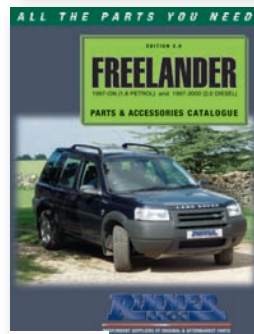
90 PAGES



68 PAGES



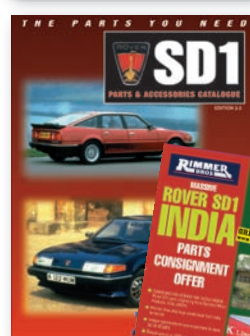
114 PAGES



32 PAGES



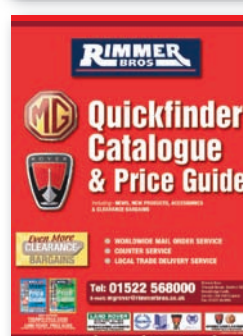
90 PAGES



82 PAGES



82 PAGES



152 PAGES



152 PAGES



OUR CATALOGUES ARE YOUR PASSPORT TO THE FINEST MAIL-ORDER PARTS SERVICE

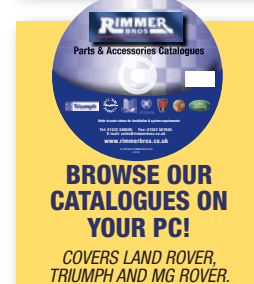
RIMMER BROS CATALOGUES

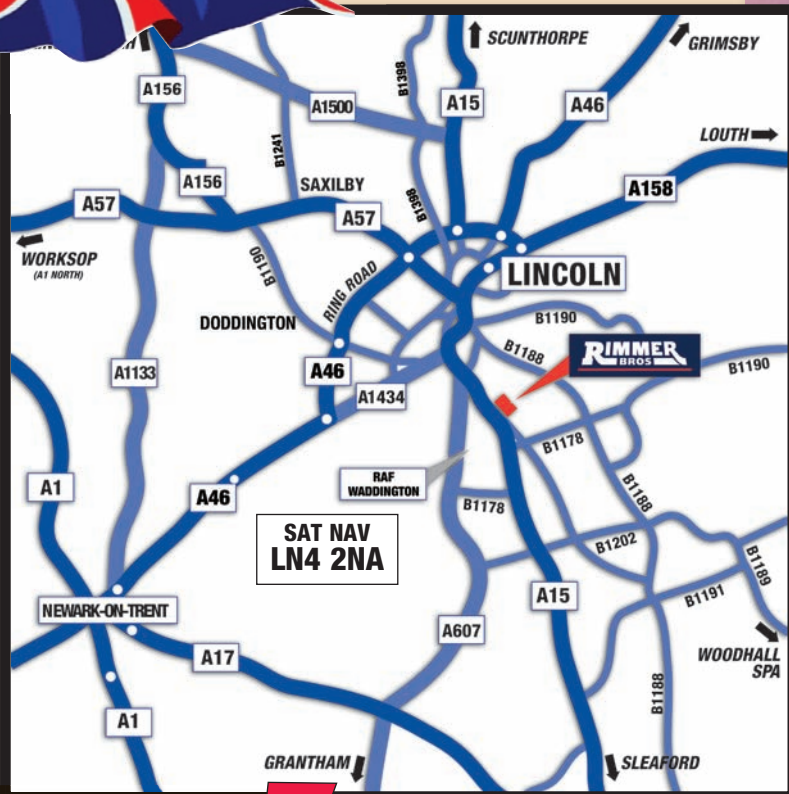
If you are a Rover V8 Engine, Triumph, SD1, MG Rover, Range Rover, Freelander, Defender or Discovery owner - a catalogue will be despatched FREE including post & packing.

Small postage charge made for additional catalogues. FOR YOUR COPY, PHONE, FAX, WRITE OR E-MAIL.

FULL SET OF CATALOGUES (POSTAGE CHARGES) £10 (UK) £15 (Europe) £35 (Rest of World)

Once registered as a customer for a specific vehicle you will be automatically updated (free of charge) with any new catalogue or price guides as they are published.





SAT NAV LN4 2NA



HOW TO FIND US

We are 2 miles south of Lincoln on the A15 Lincoln to Sleaford road. When approaching Lincoln from the A1/A46, follow the A1434 signposted to city centre, through North Hykeham, then pick up signs for the A15 to Sleaford. Set your Sat Nav LN4 2NA.

BUSINESS HOURS

8.30am - 5.30pm Monday to Friday and 8.30am - 1pm on Saturday. We are closed Sunday and on all Bank Holidays except Good Friday.



ALL PARTS ARE GUARANTEED

"It's our objective to ensure the satisfaction of every one of our customers."

Please refer to our web site for warranty information.



A BRITISH COMPANY SUPPORTING BRITISH CARS

Rimmer Bros Ltd. Triumph House, Sleaford Road, Bracebridge Heath, Lincoln LN4 2NA, England.

Telephone: 01522 568000

Fax: 01522 567600. E-mail: mgrover@rimmerbros.co.uk

www.rimmerbros.co.uk

Quality Parts and Accessories

