

FITTING INSTRUCTIONS

> Range Rover Evoque



Side Tubes

BRITPART

The quality parts for Land Rovers

Fitting Instructions

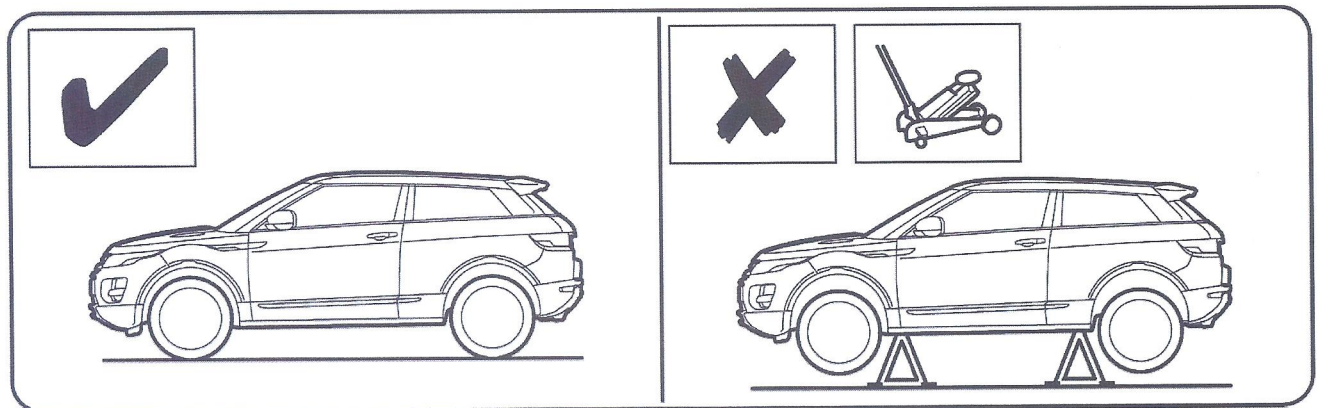
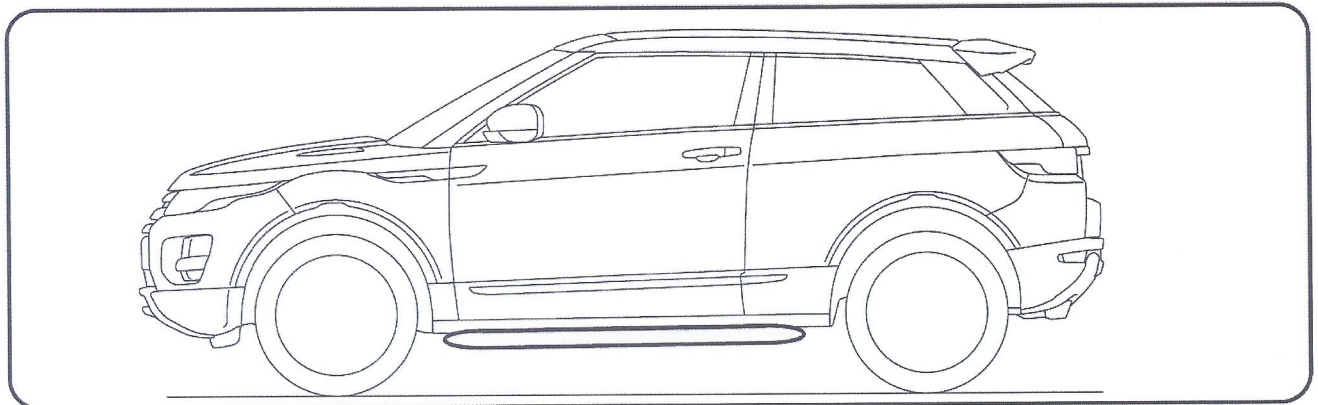
Range Rover Evoque - Side Tubes

WARNING

Accessories which are not properly fitted can be dangerous.

Read the instructions carefully prior to fitting.

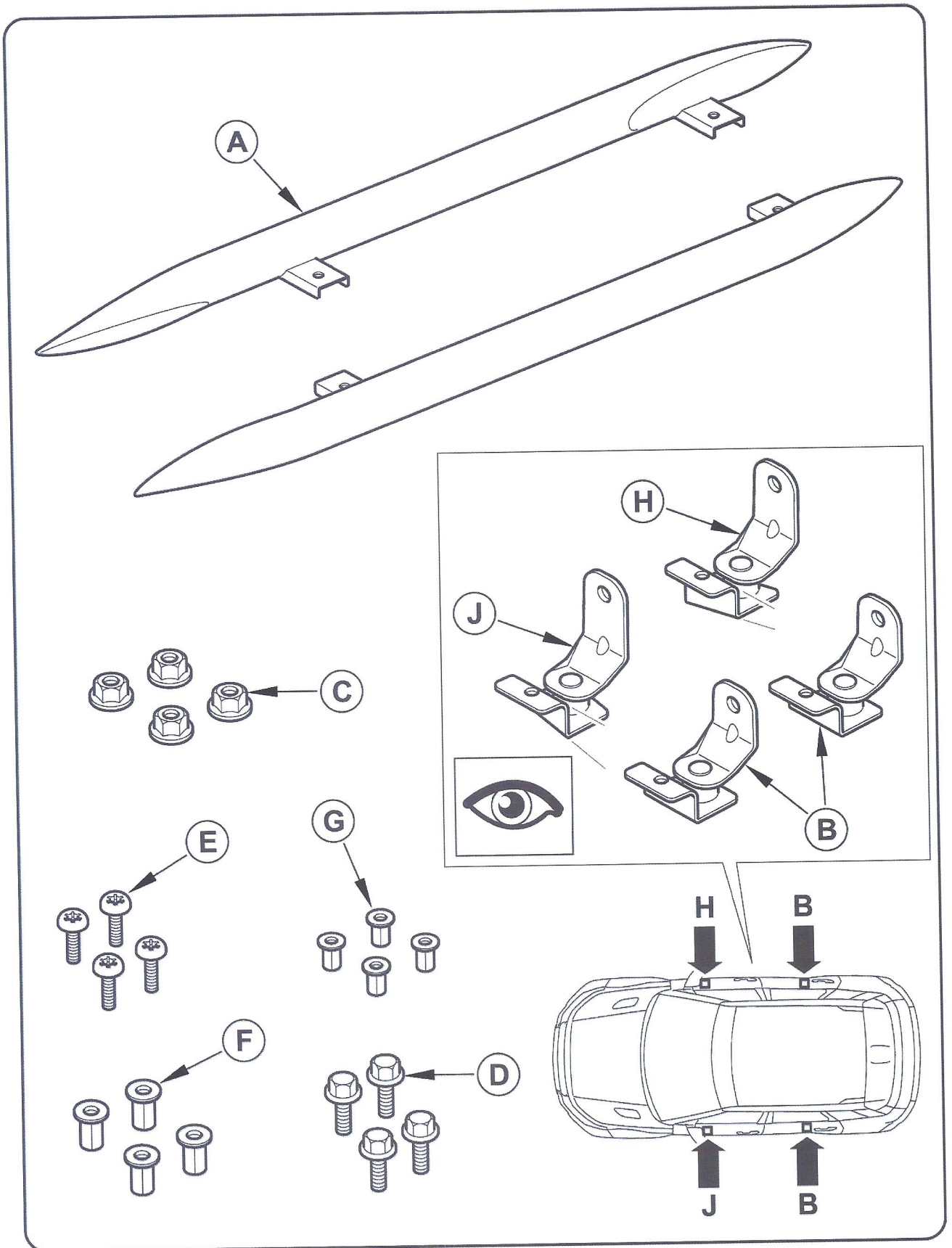
Whilst fitting, comply with the instructions at all times.



The following instructions are valid for both sides of the vehicle.

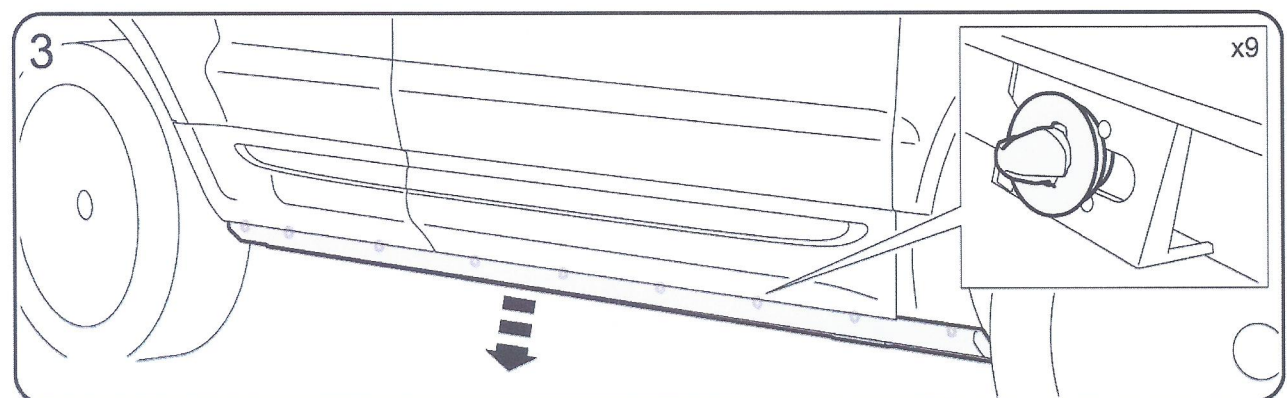
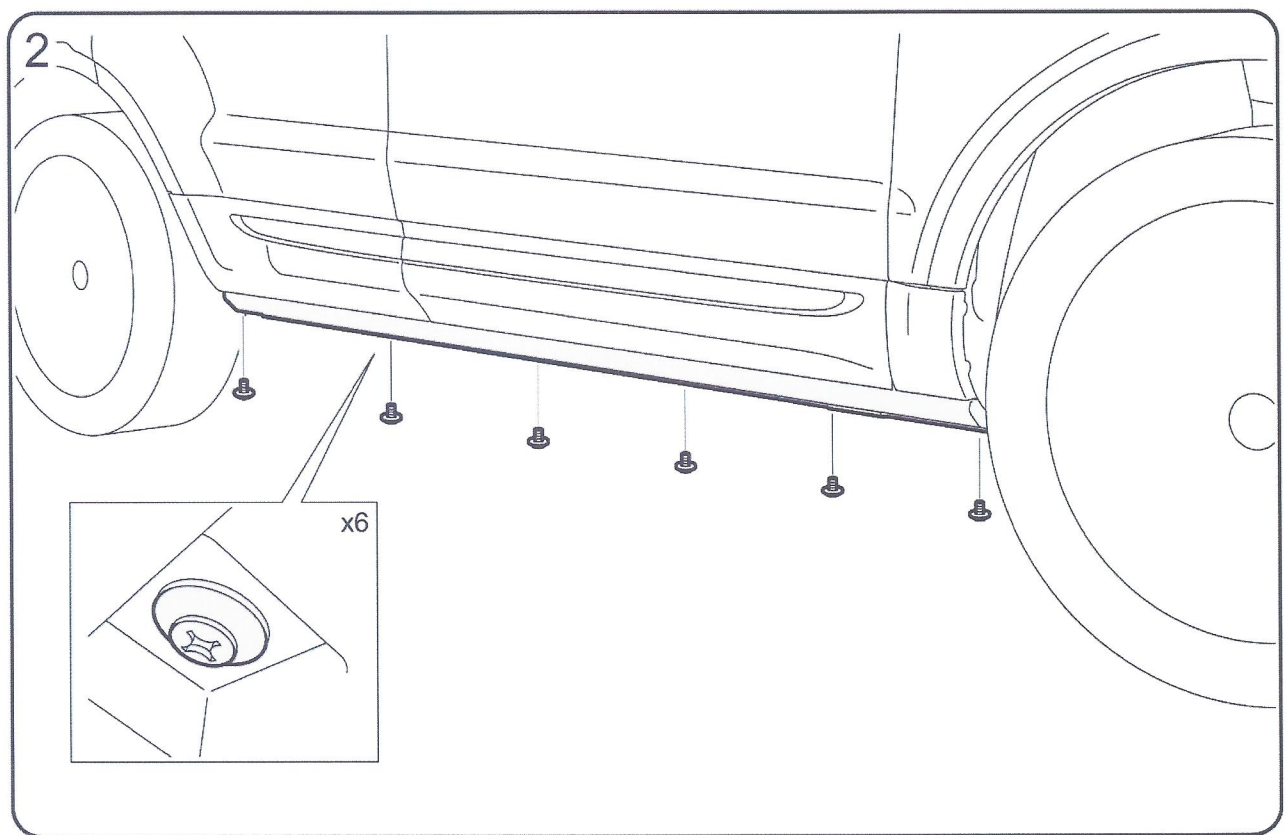
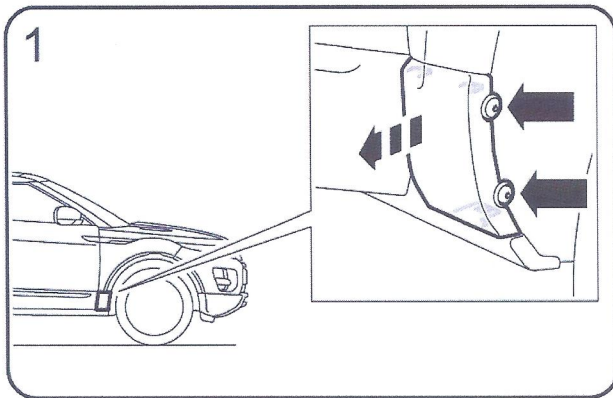
Fitting Instructions

Range Rover Evoque - Side Tubes



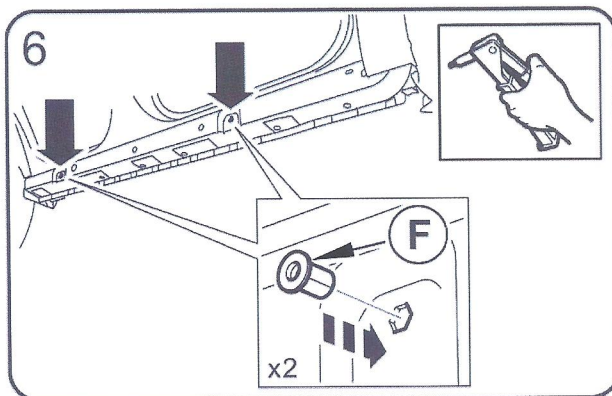
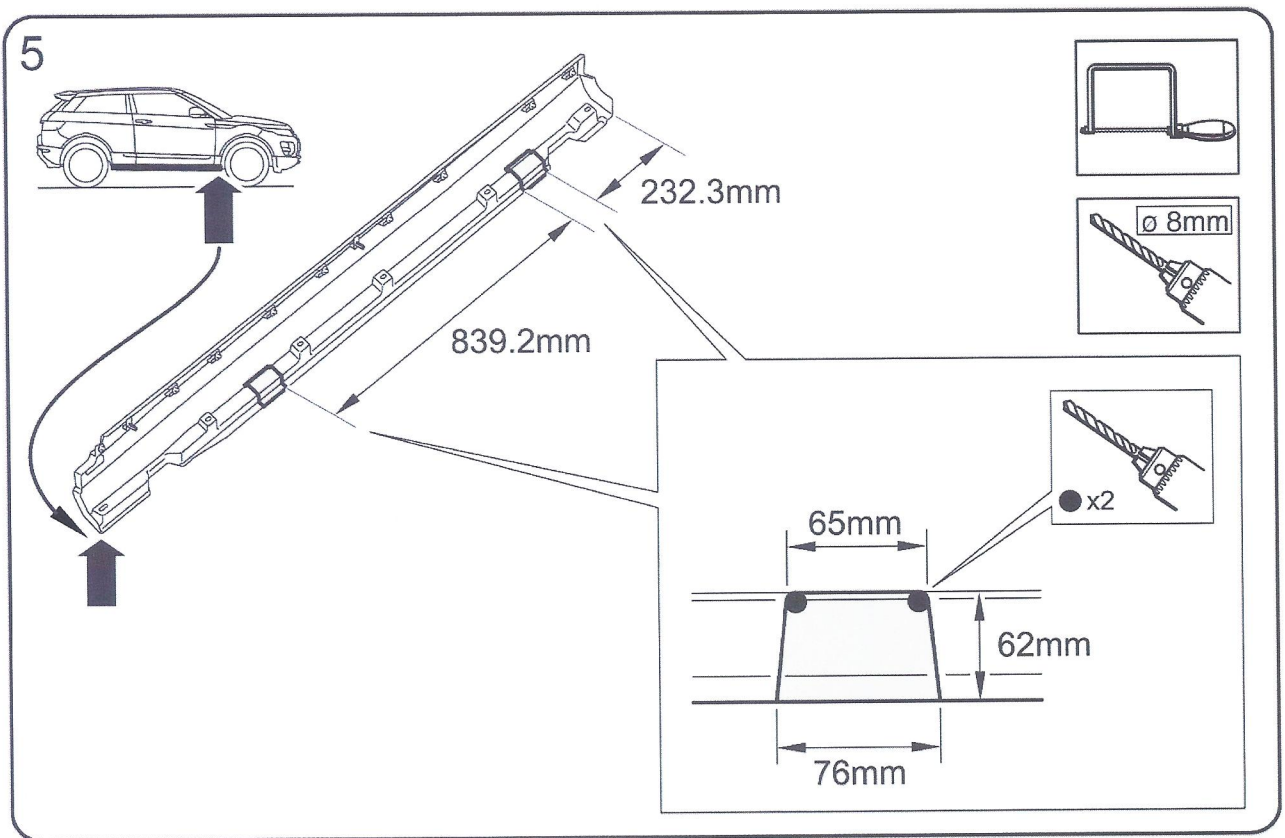
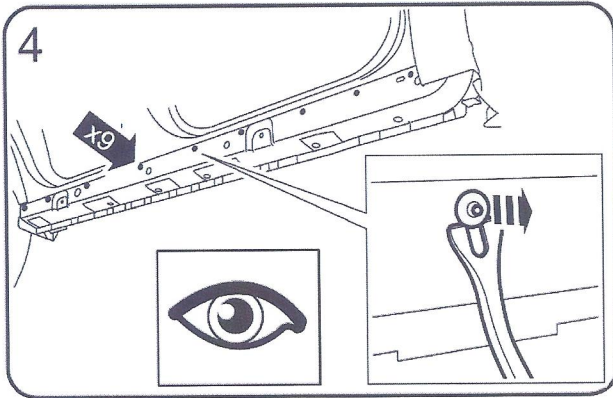
Fitting Instructions

Range Rover Evoque - Side Tubes



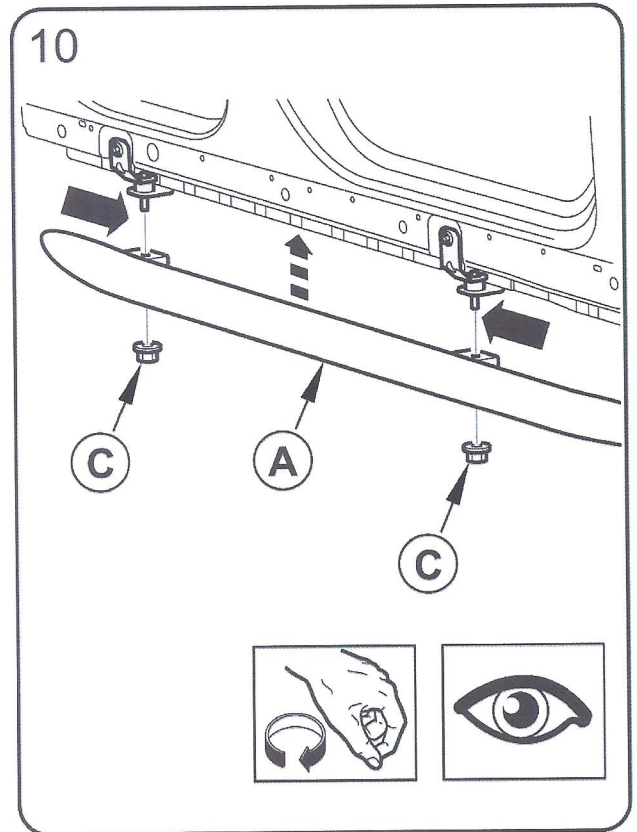
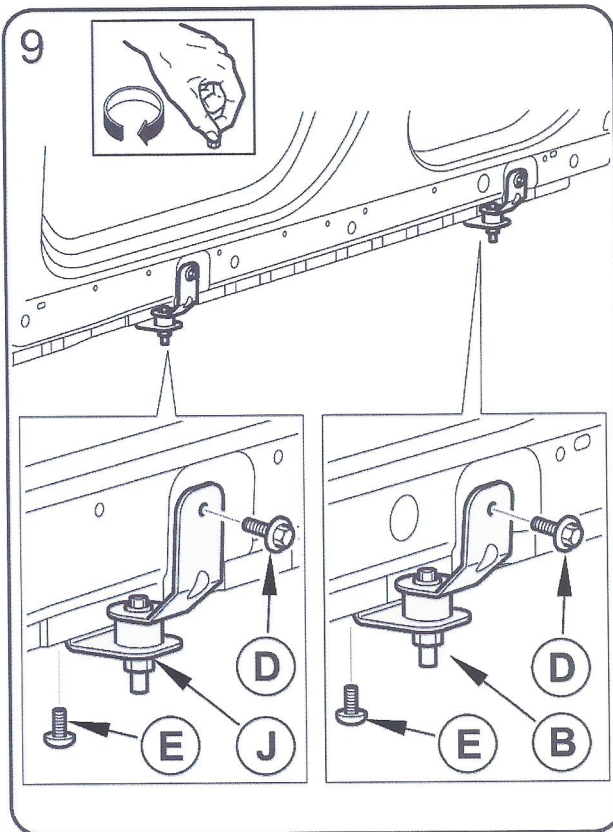
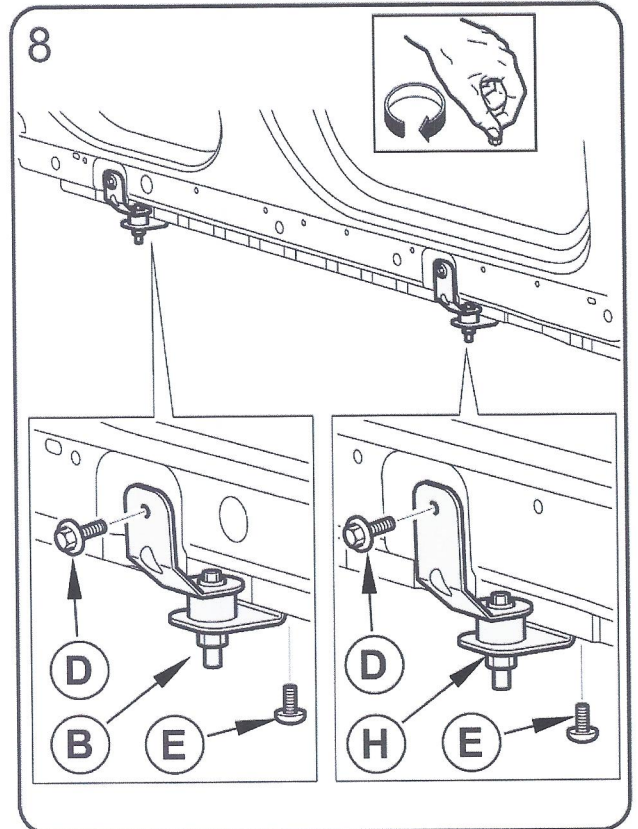
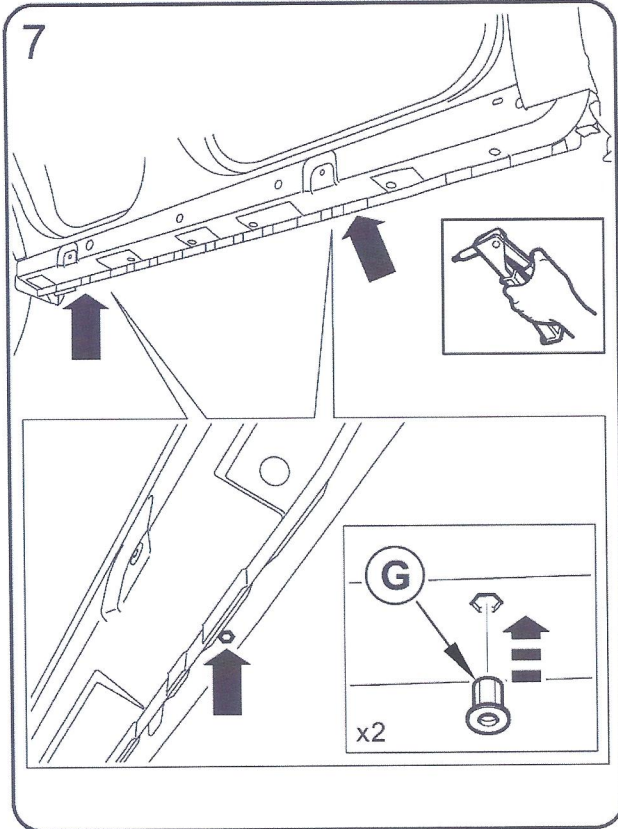
Fitting Instructions

Range Rover Evoque - Side Tubes



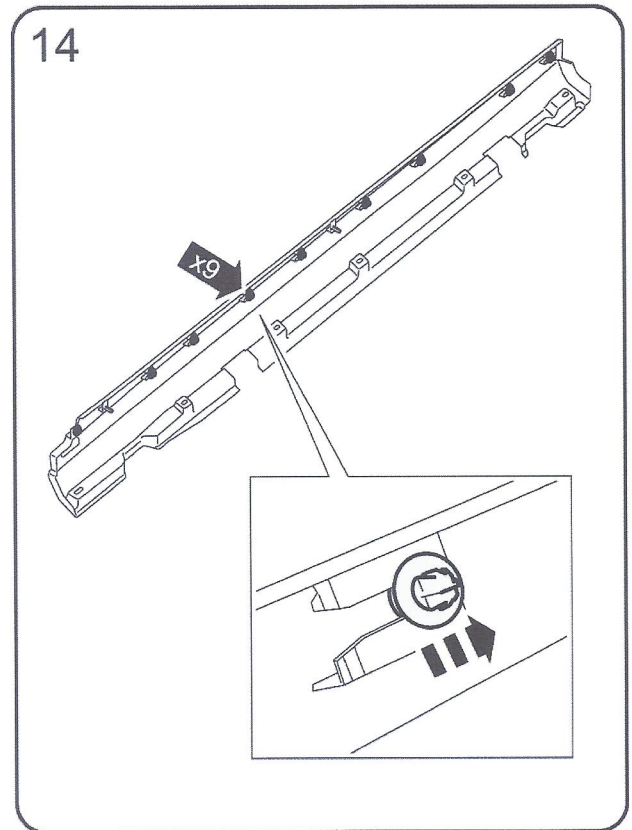
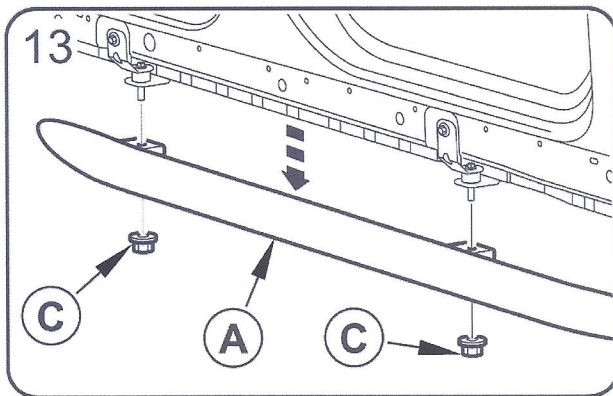
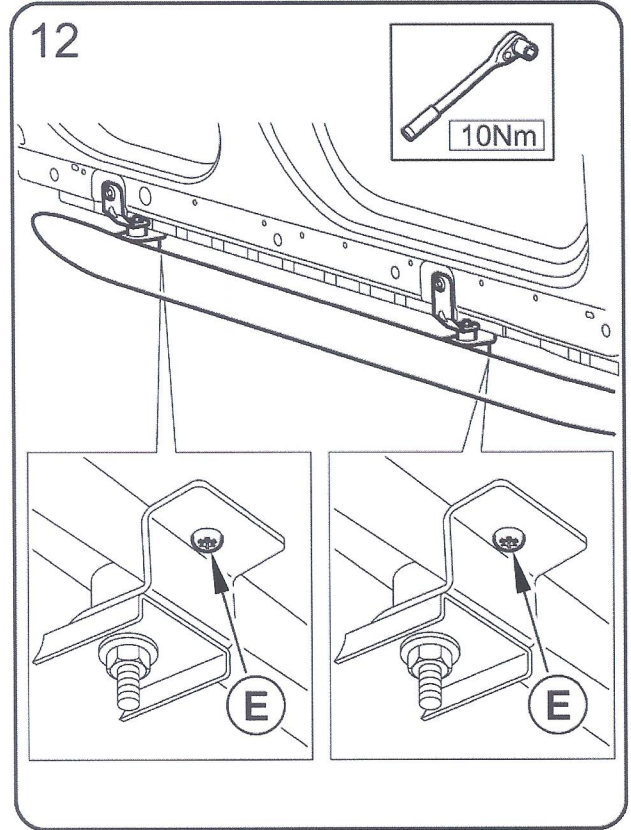
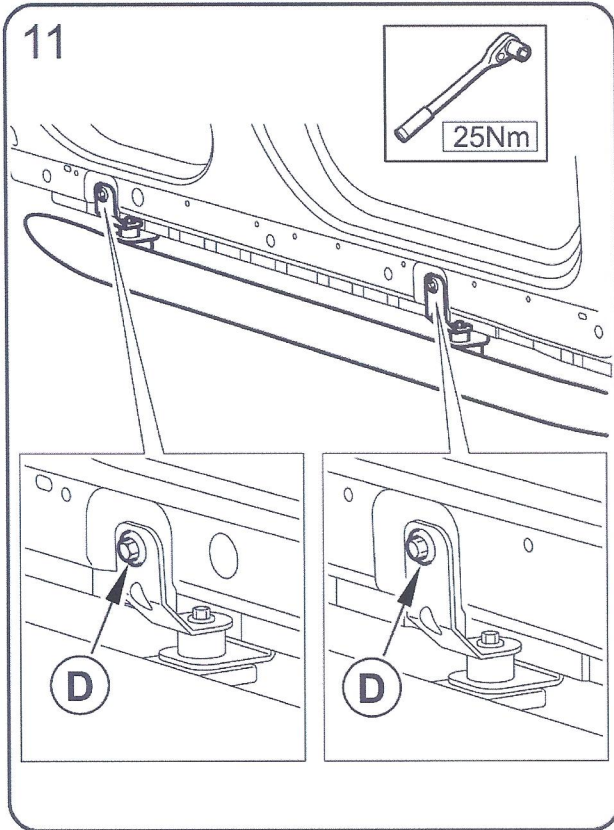
Fitting Instructions

Range Rover Evoque - Side Tubes



Fitting Instructions

Range Rover Evoque - Side Tubes



Fitting Instructions

Range Rover Evoque - Side Tubes

