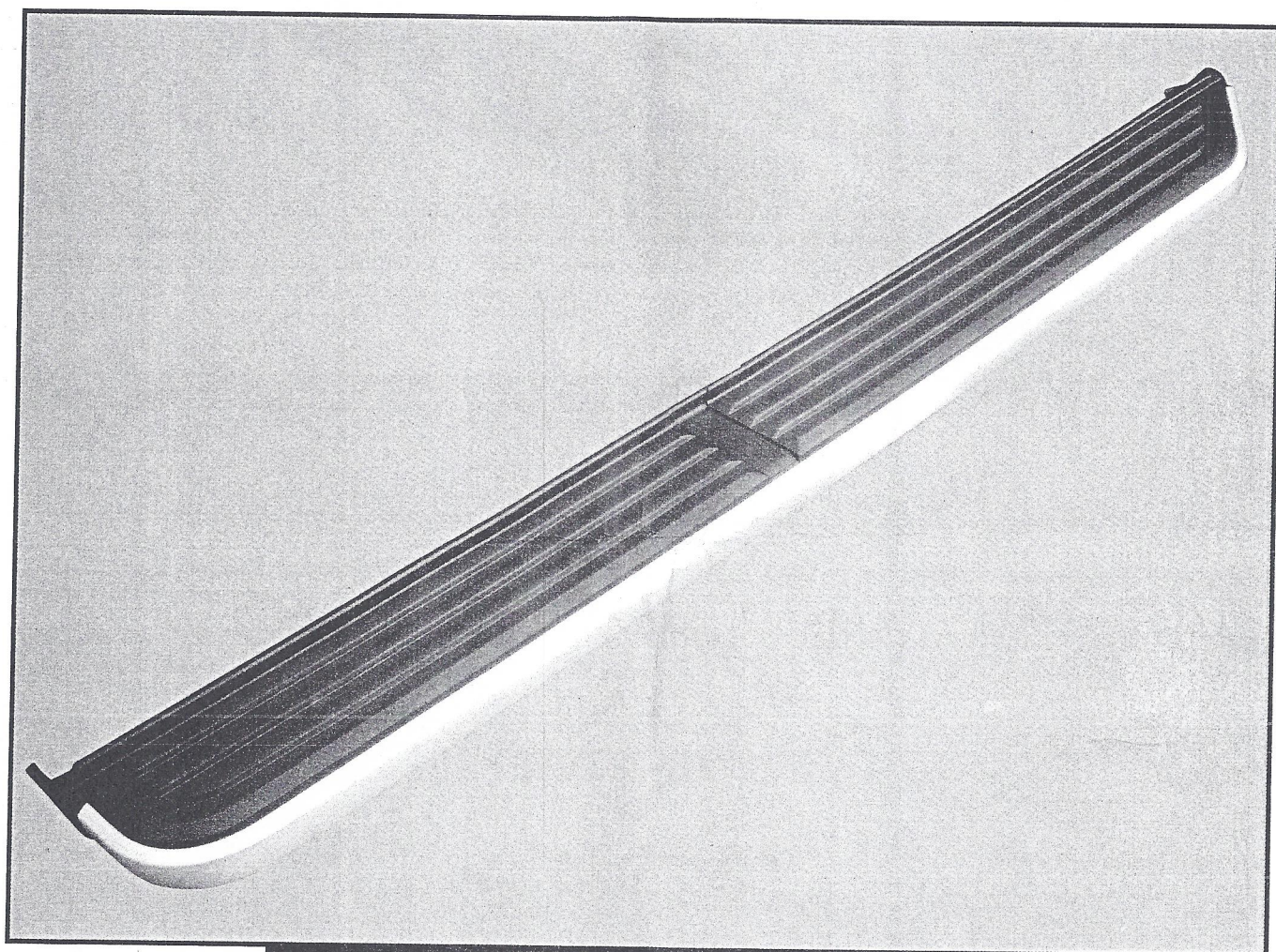


FITTING INSTRUCTIONS

> Discovery 3

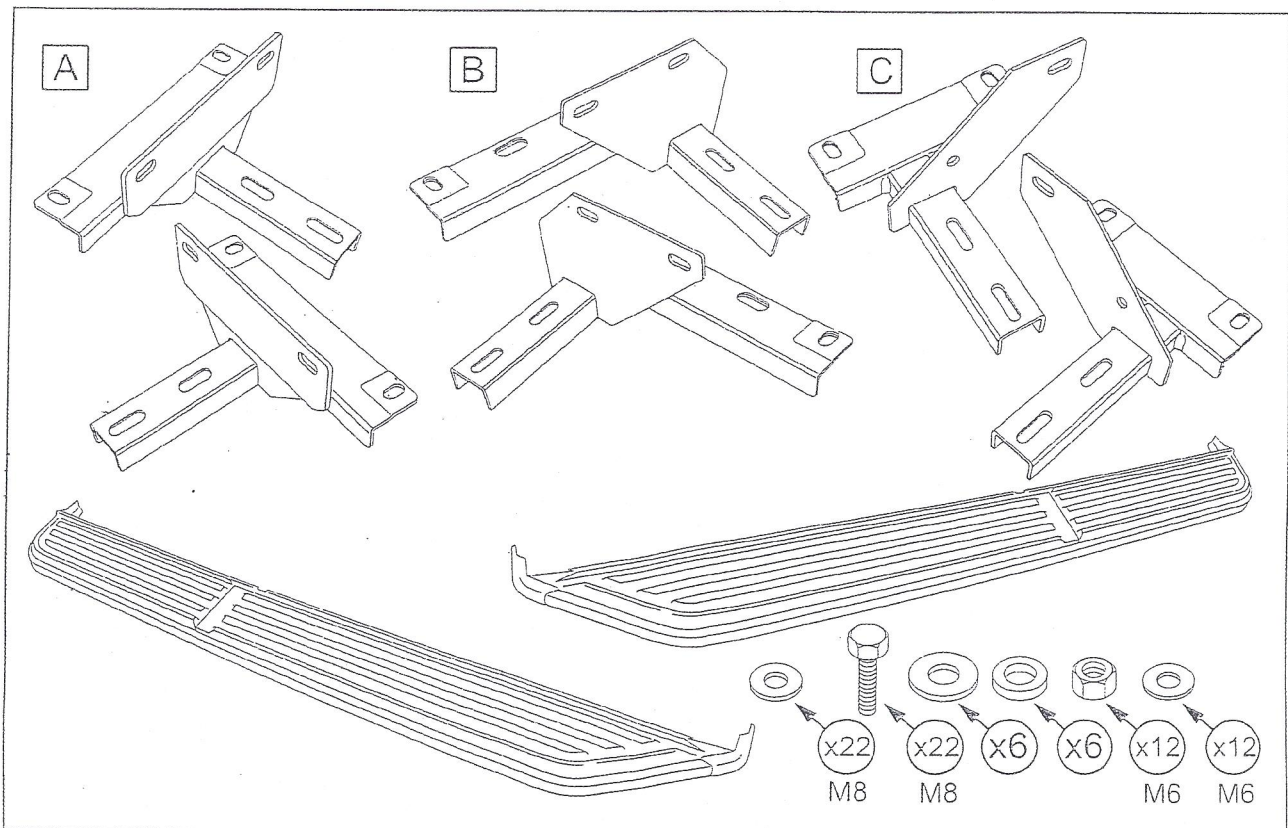
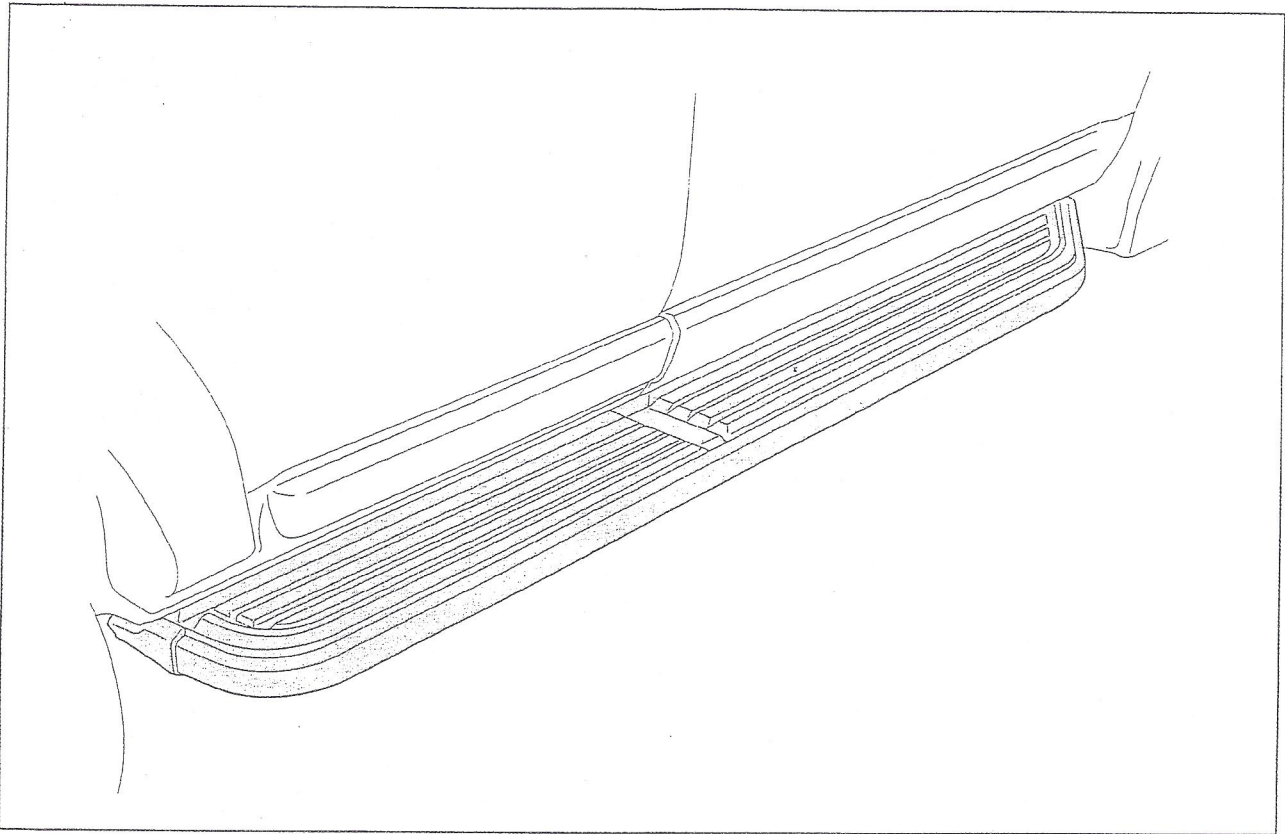


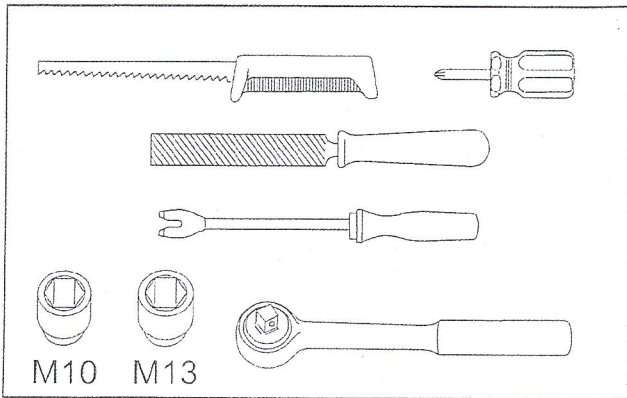
Side Steps

BRITPART

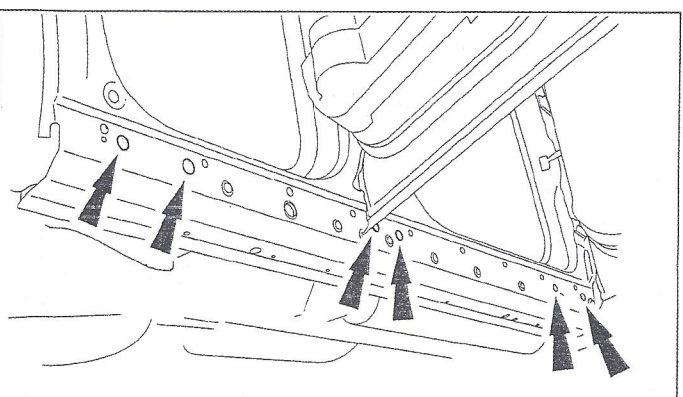
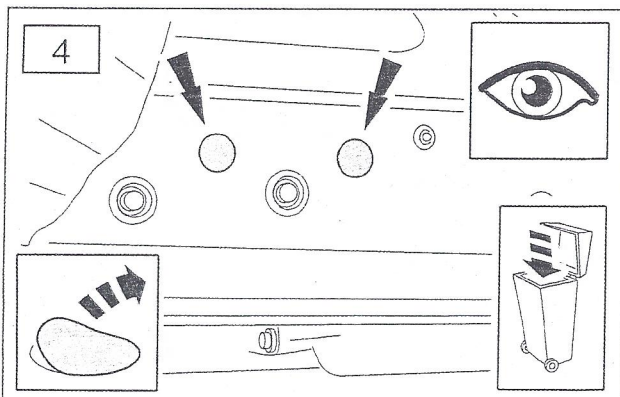
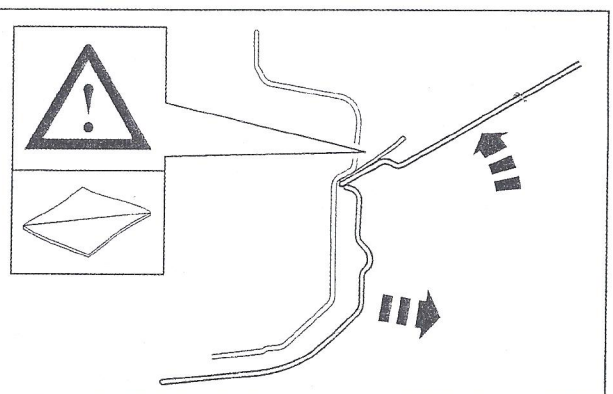
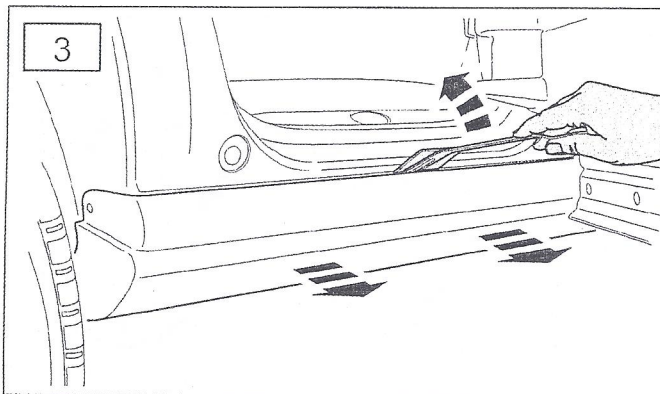
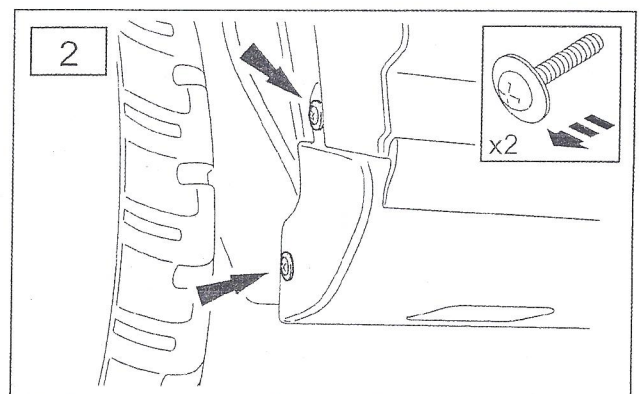
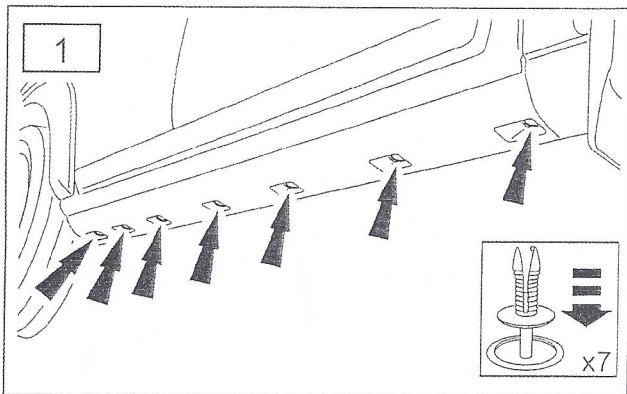
The quality parts for Land Rovers

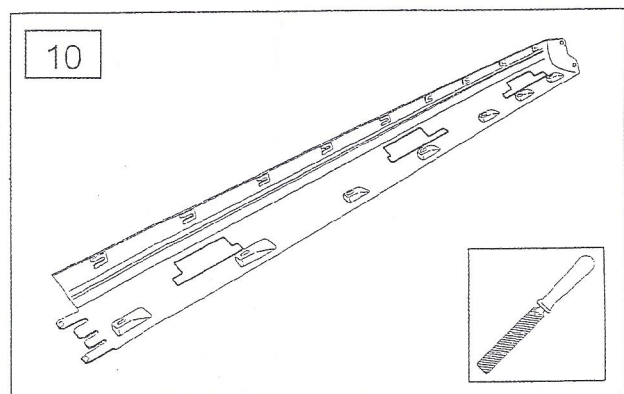
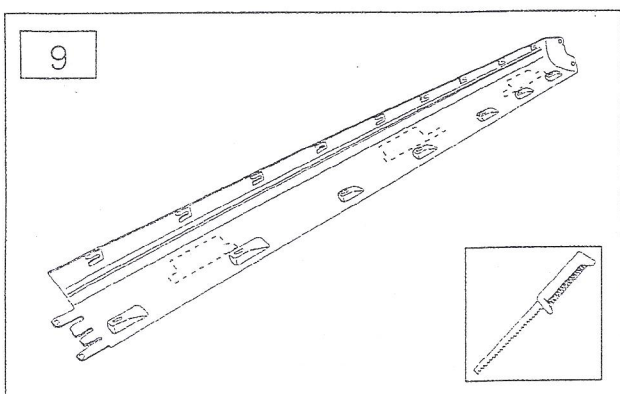
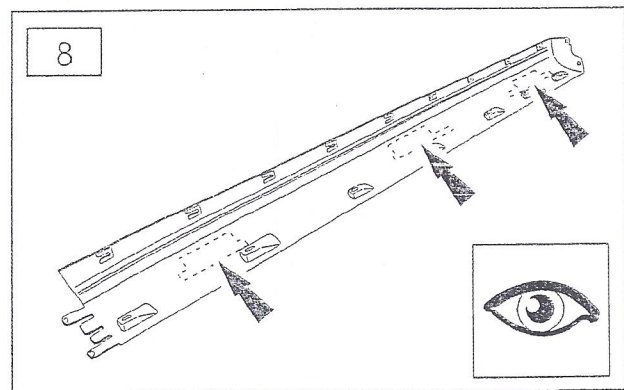
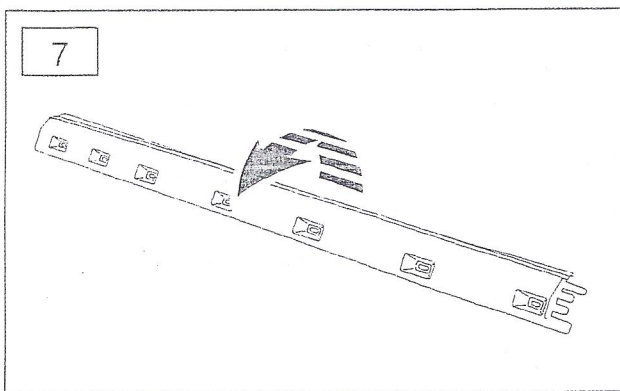
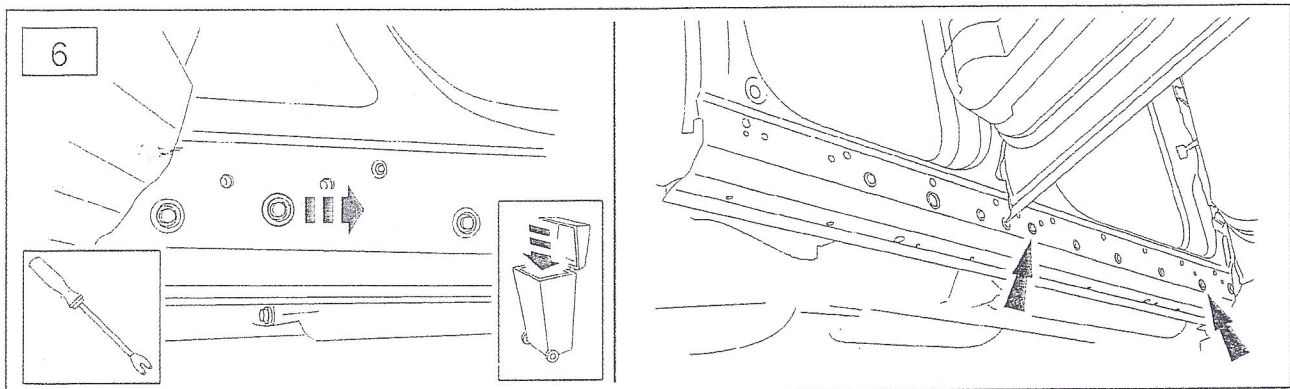
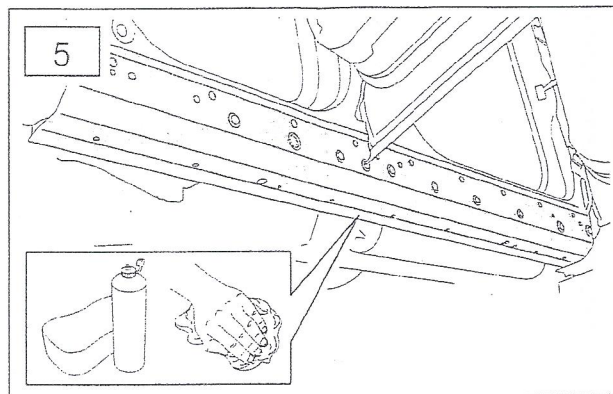
Reference - F1004A

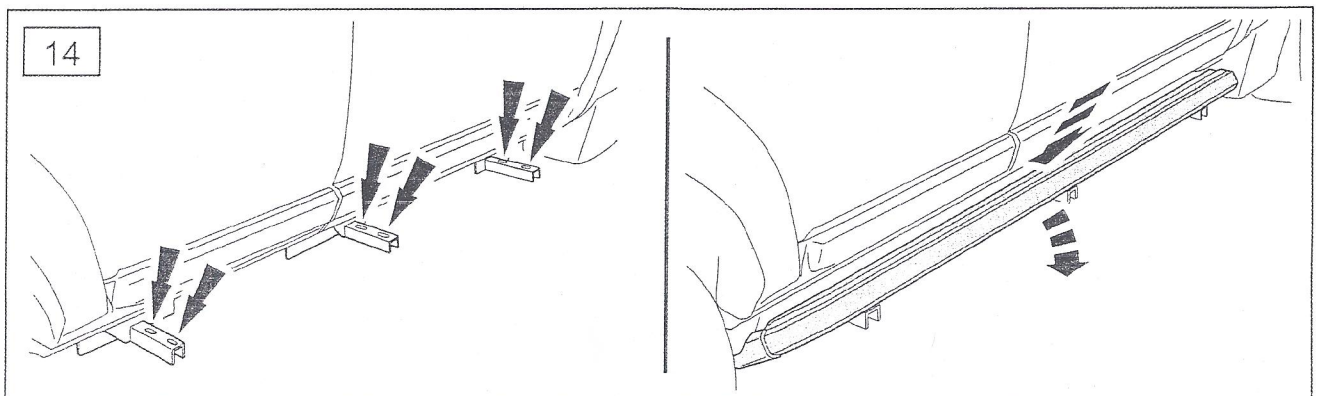
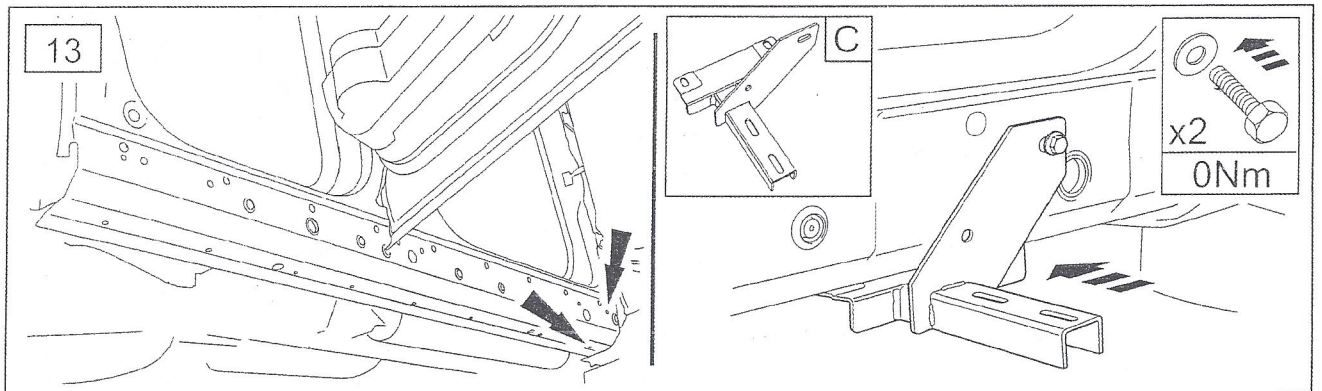
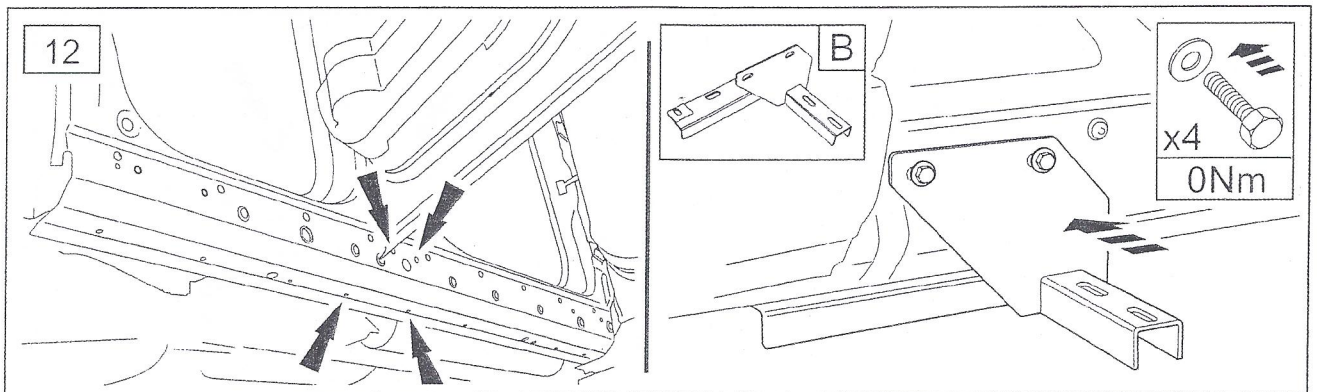
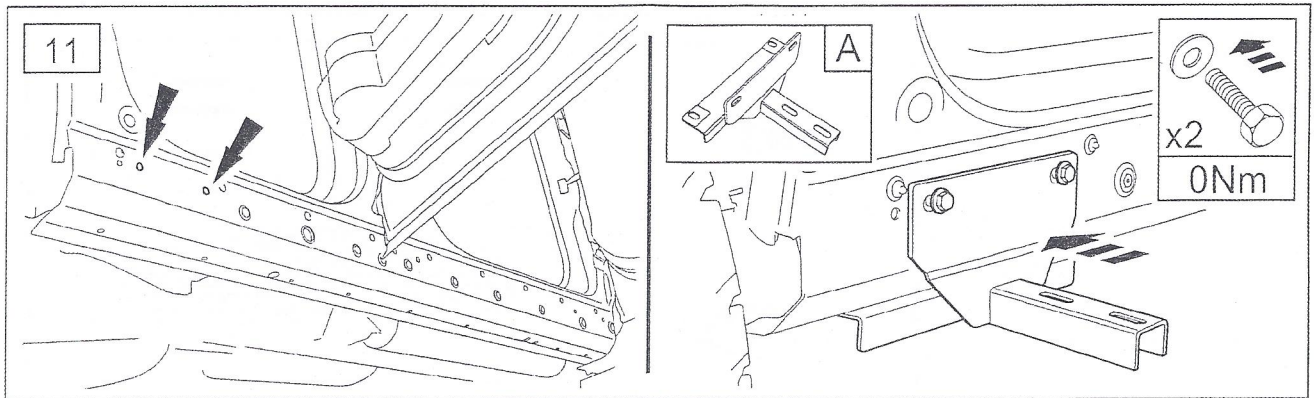


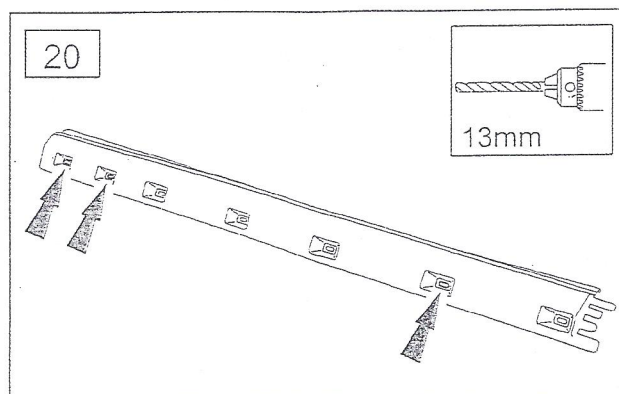
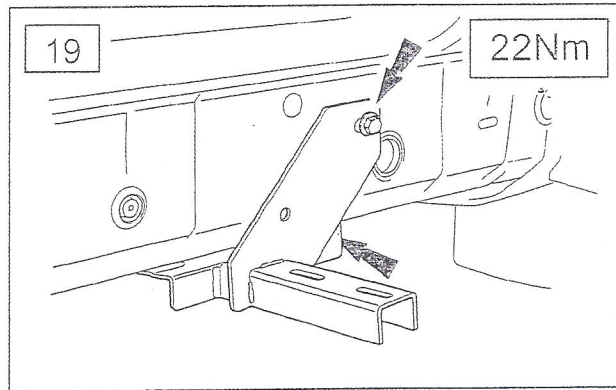
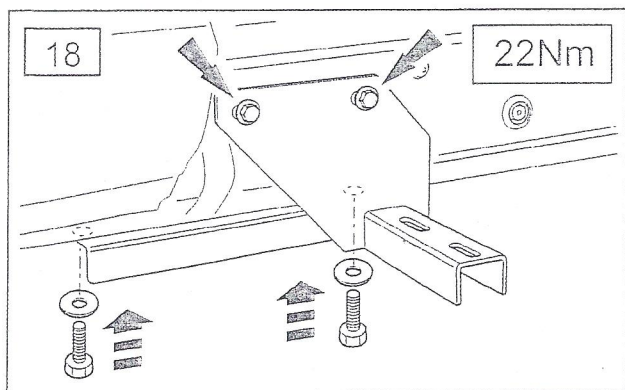
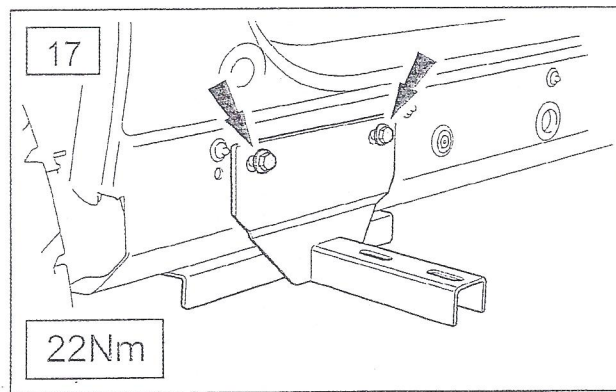
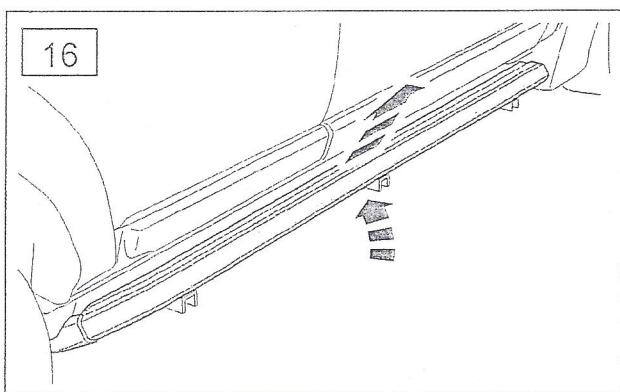
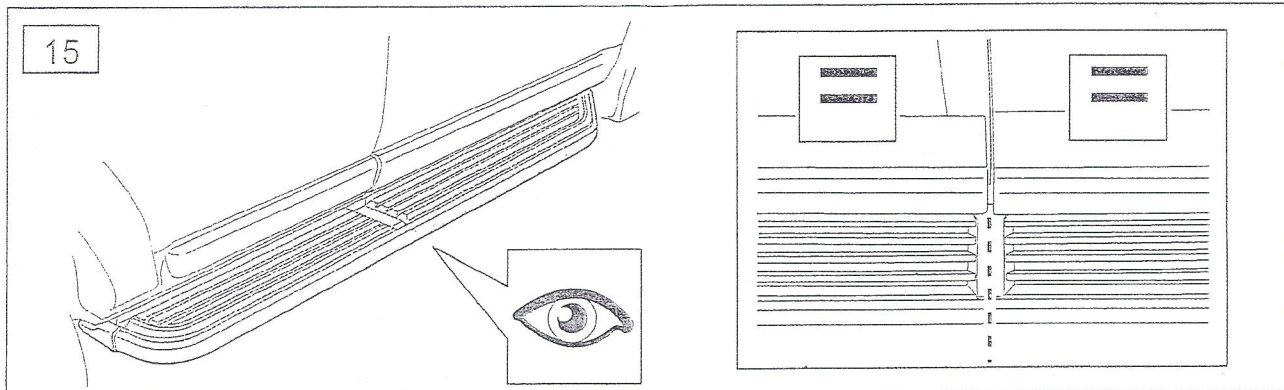


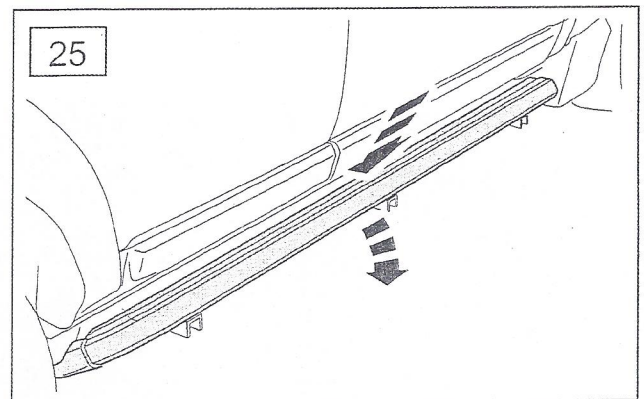
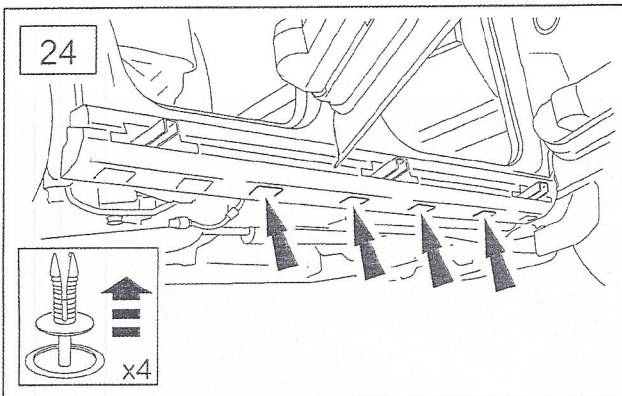
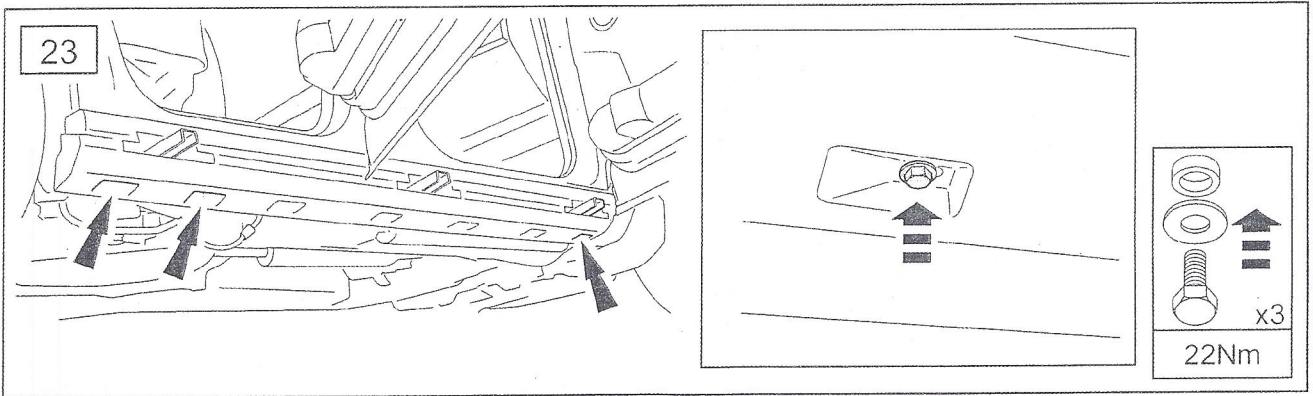
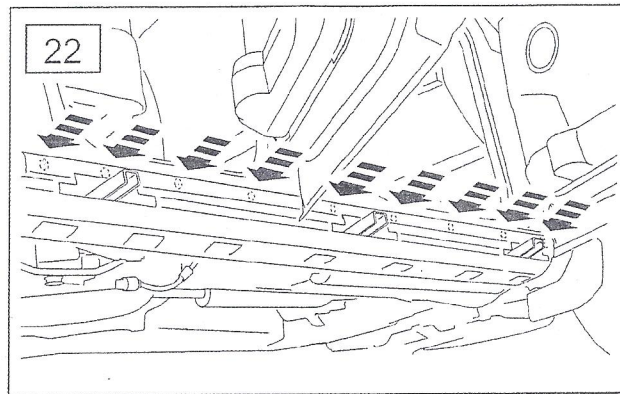
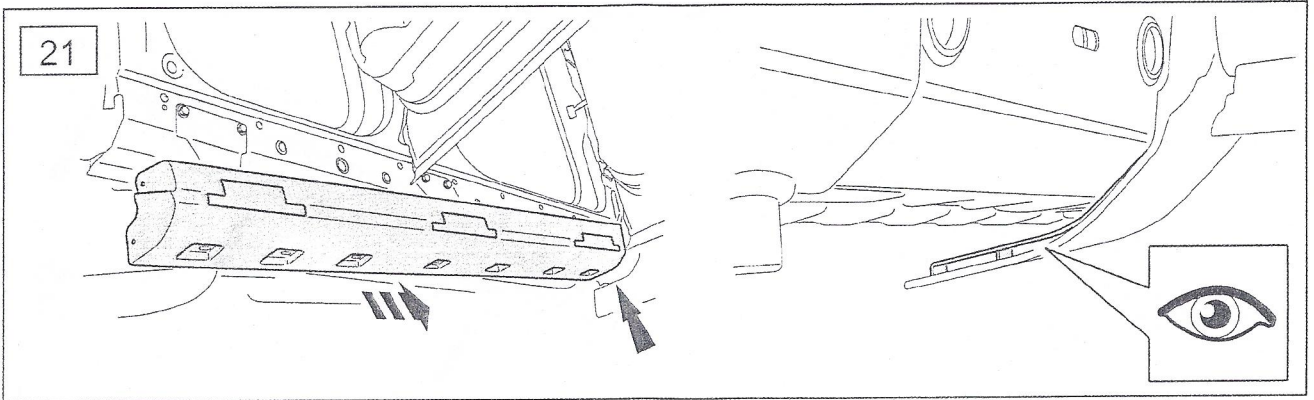
The following instructions are valid for both sides of the vehicle.

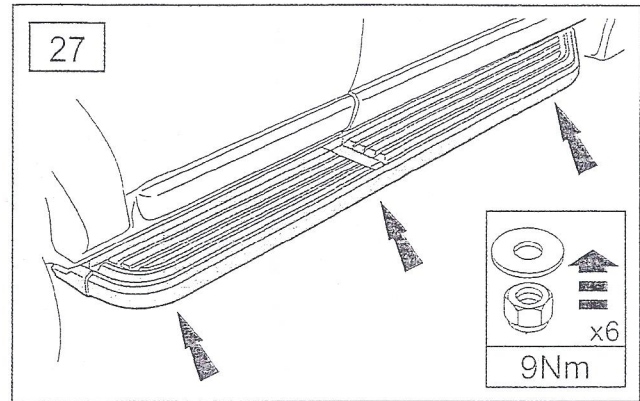
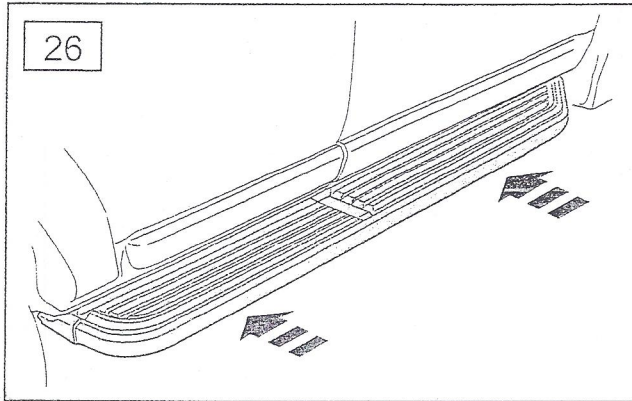












WARNING

Accessories which are not properly fitted can be dangerous.

Read the instructions carefully prior to fitting.

Whilst fitting, comply with the instructions at all times.