

PUBLISHED: 12-DEC-2016
2020.0 DISCOVERY (LR), 102-02

INTERIOR

LUGGAGE RETENTION KIT (G2018138)

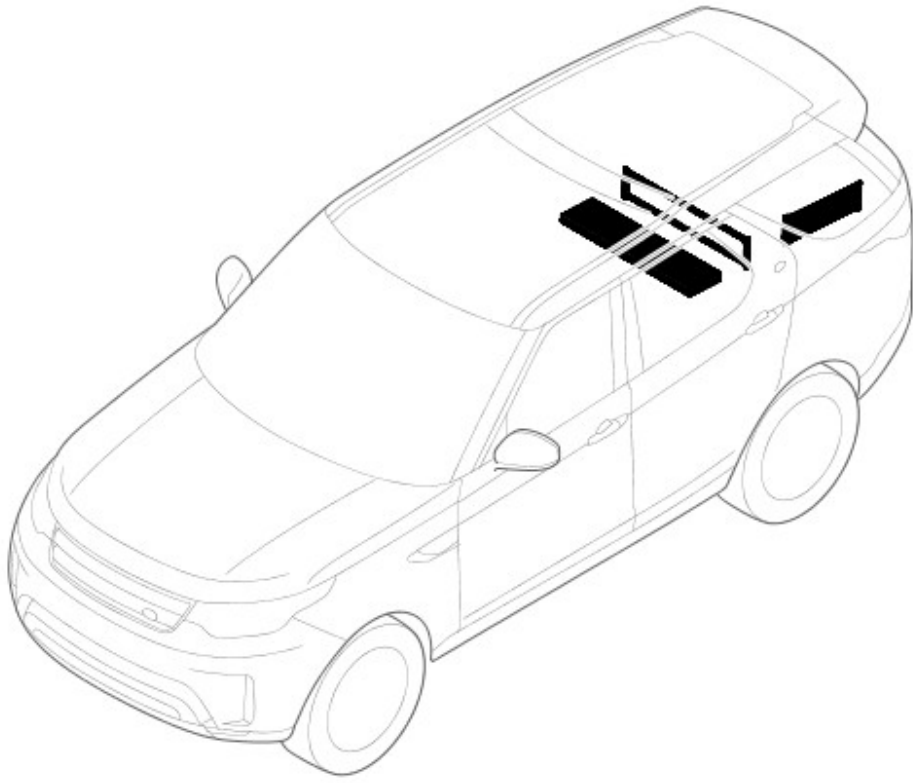
REMOVAL AND INSTALLATION

VPLCS0324

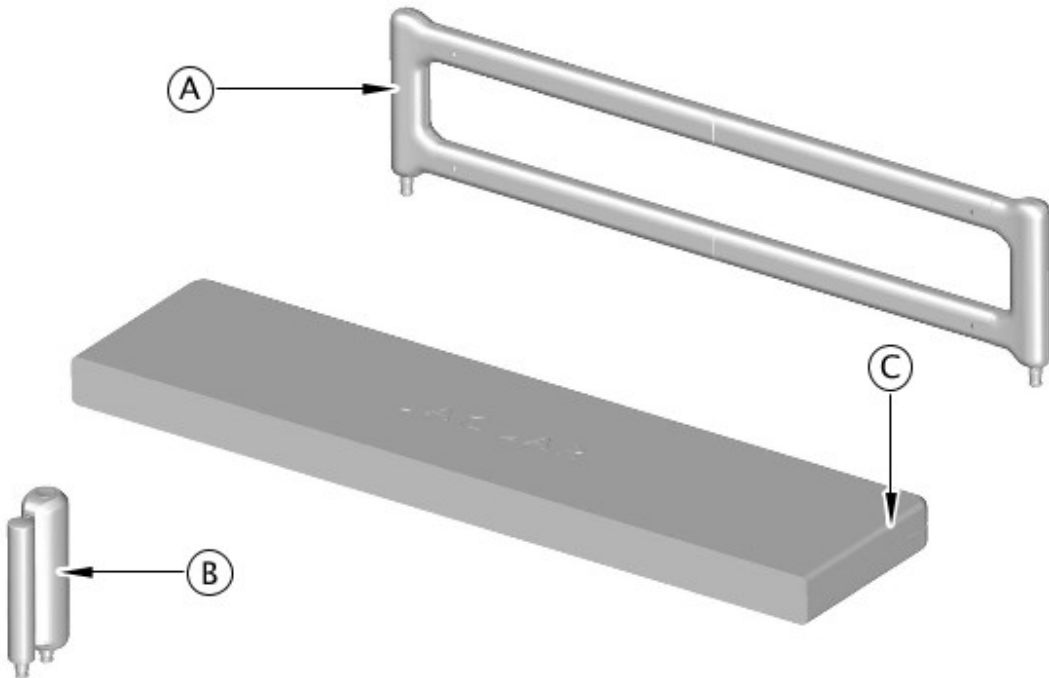


WARNING:

Accessories which are not properly fitted can be dangerous. Read the instructions carefully prior to fitting.
Whilst fitting, comply with instructions at all times. If in doubt, contact your nearest approved retailer.



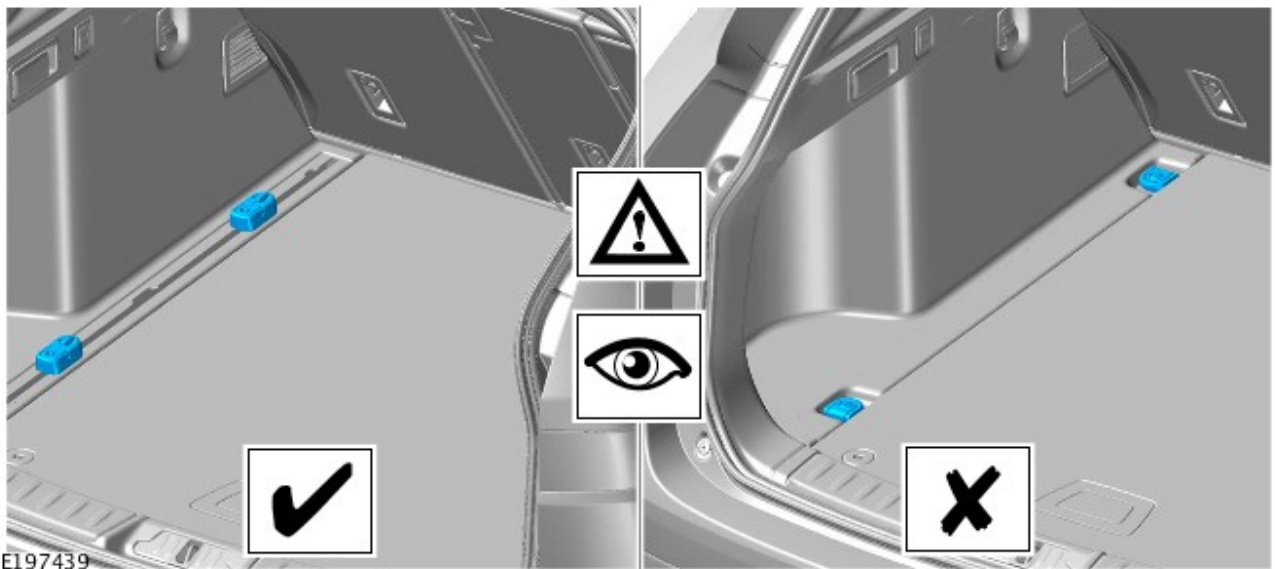
E197437



E197438

 **NOTE:**

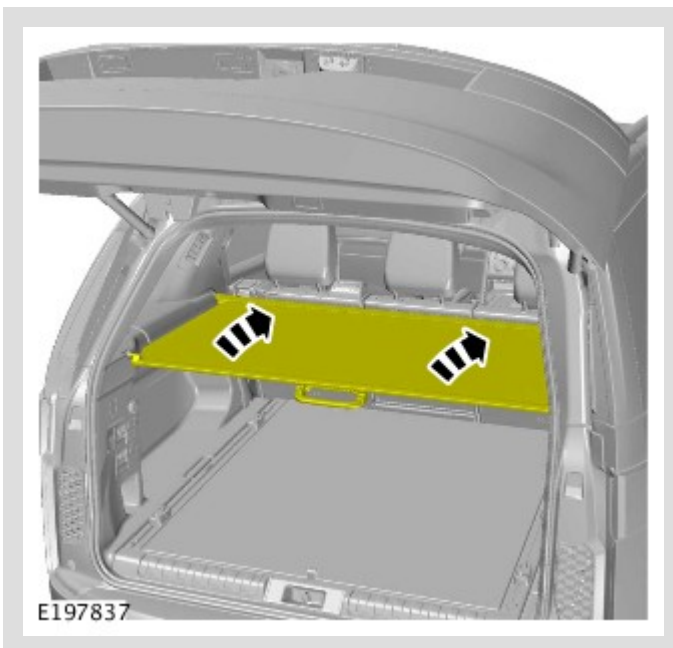
Installation requires additional optional equipment - Loadspace Luggage Rails (VPLRS0357)



INSTALLATION

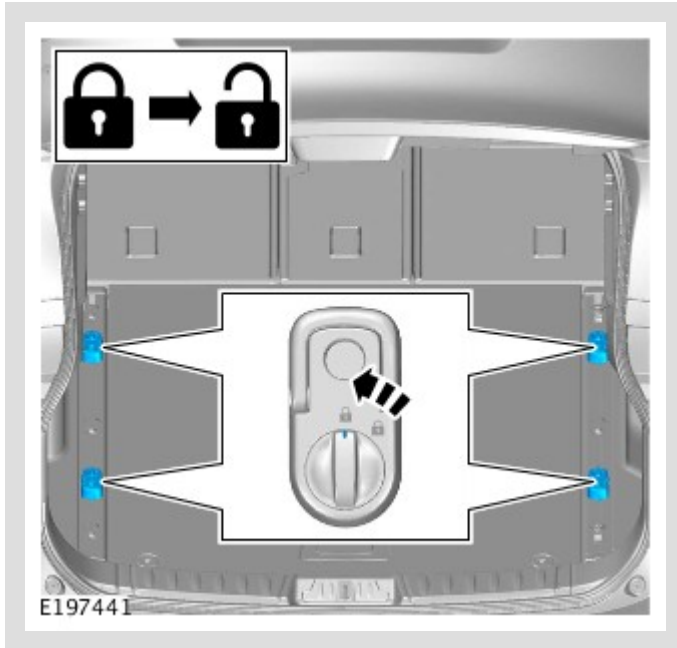
1. Open the tailgate.

2.



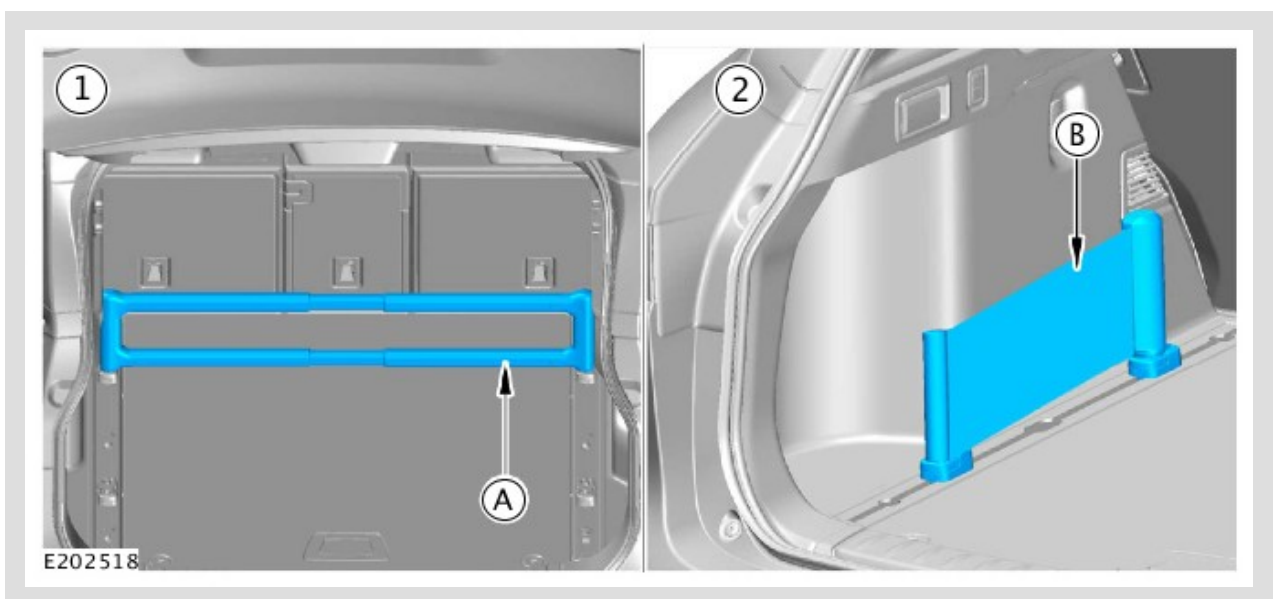
Move aside the luggage compartment blind.

3.



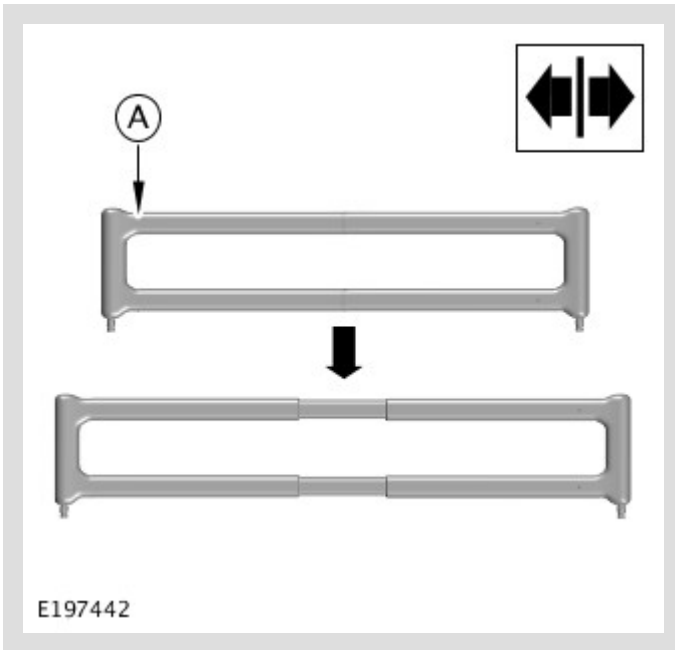
Unlock the loadspace sliding D-loops.

4.



1. If the beam assembly will be installed into the loadspace then complete steps 5 to 8.
2. If the band assembly will be installed into the loadspace then complete steps 9 to 13.

5.



Expand the beam assembly.

6.



Attach beam assembly to the chosen sliding D-loops.

7.



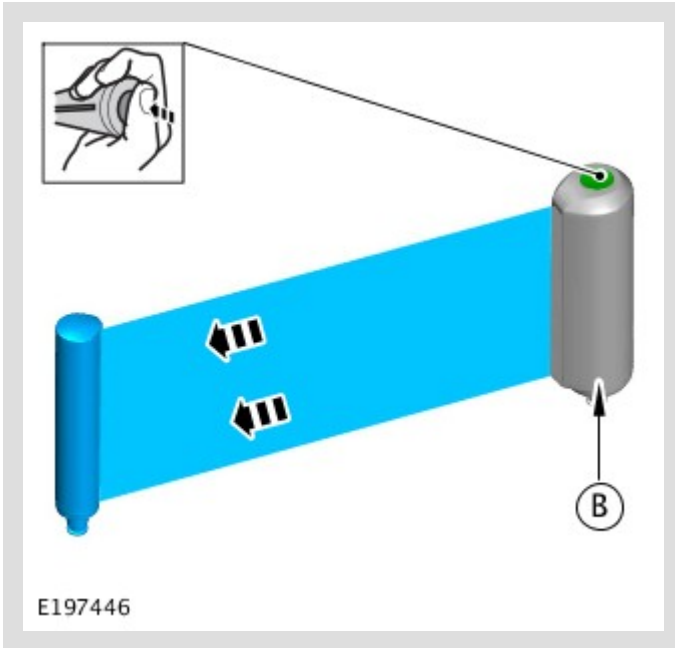
Move the beam assembly to the desired position.

8.



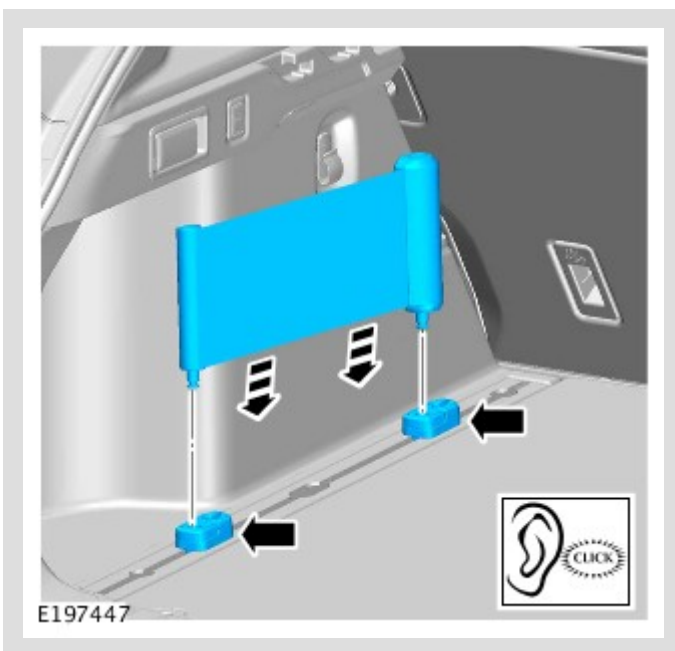
Lock the loadspace sliding D-loops.

9.



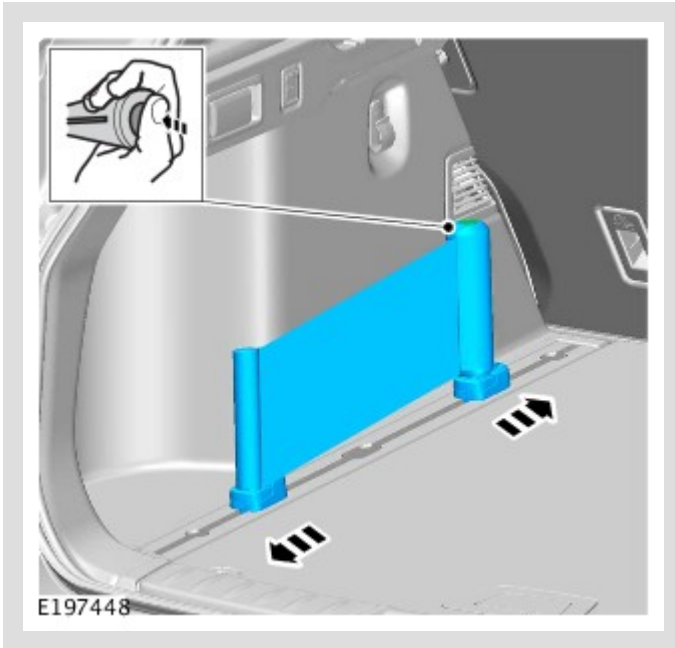
Expand the band assembly.

10.



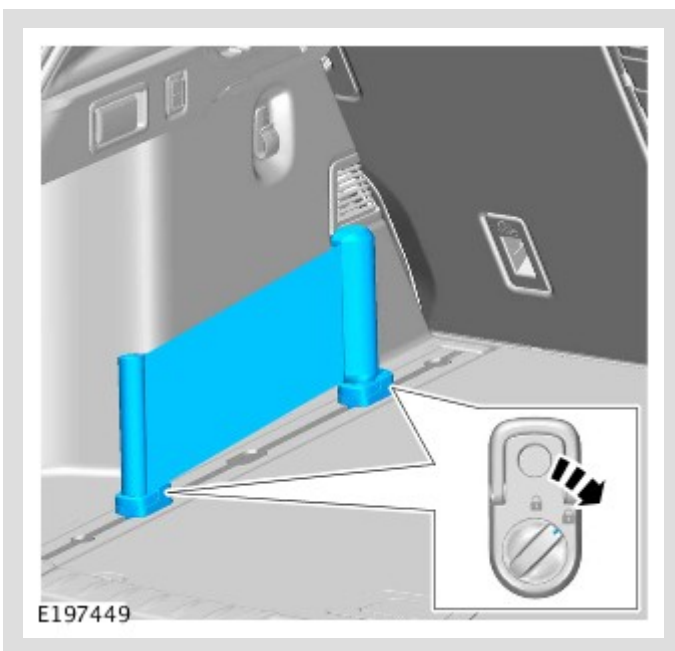
Attach band assembly to the chosen sliding D-loops.

11.



Move the band assembly to the desired position while holding down the button on top.

12.

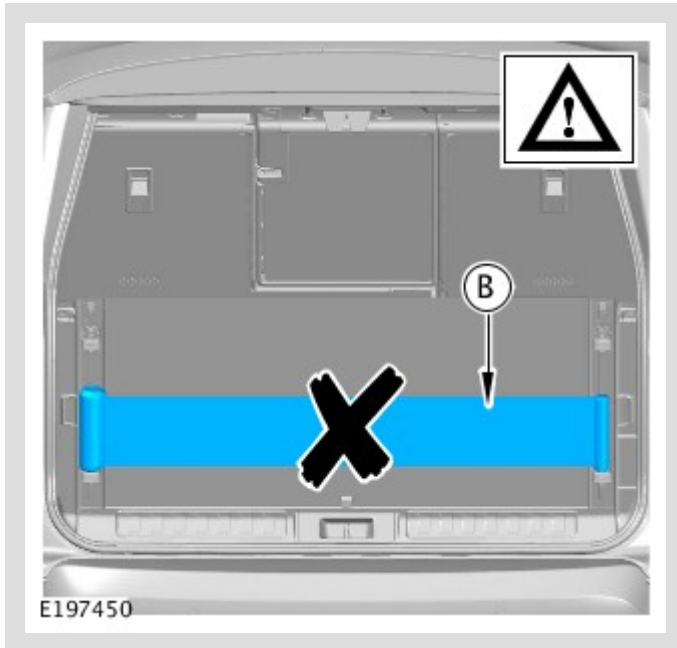


Lock the loadspace sliding D-loops.

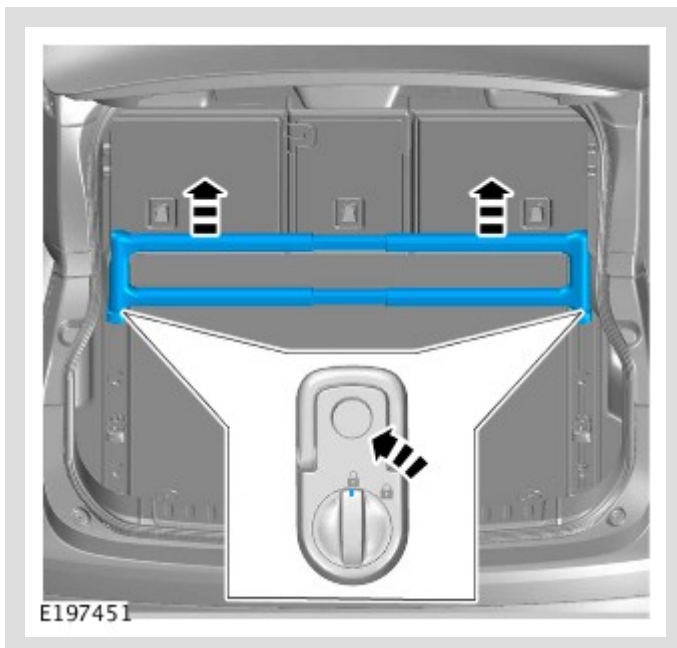
13.

⚠ CAUTION:

Do not fit the band assembly in the position shown.

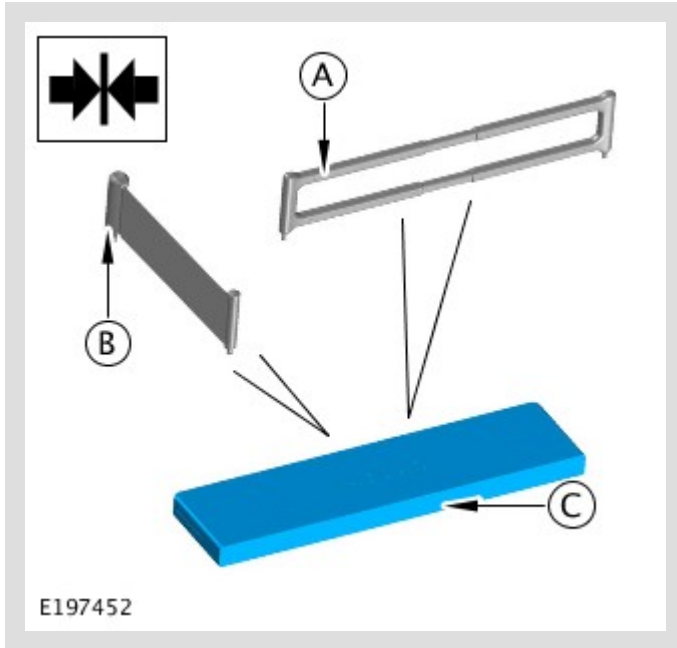


14.



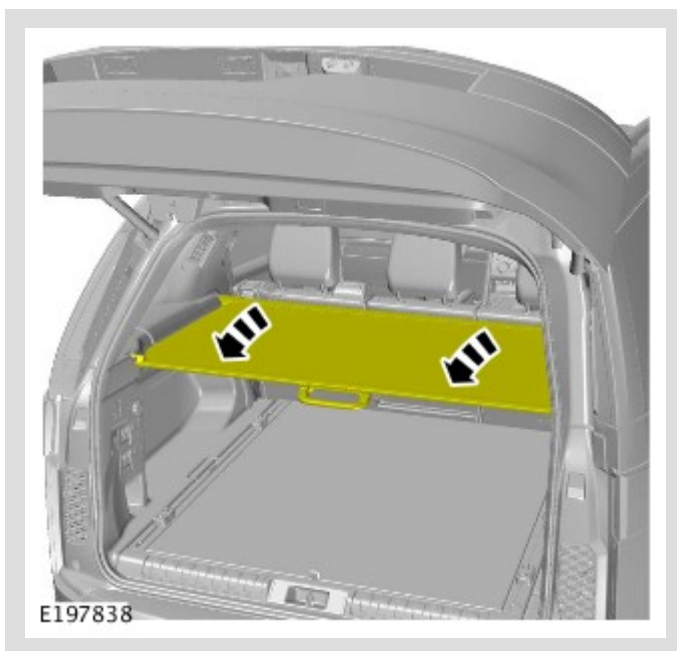
To remove the beam and band assembly, unlock the loadspace sliding D-loops and then lift the component upwards.

15.



When not in use, compress the beam and band assembly and place in the transport bag enclosed with the kit.

16.



Reposition the luggage compartment blind.

17. Close the tailgate.