

SPIN-ON FILTER - VEHICLES WITH OIL COOLER

Triumph TR6, Vitesse, 2000/2500/2.5Pi and TR2-TR5-250

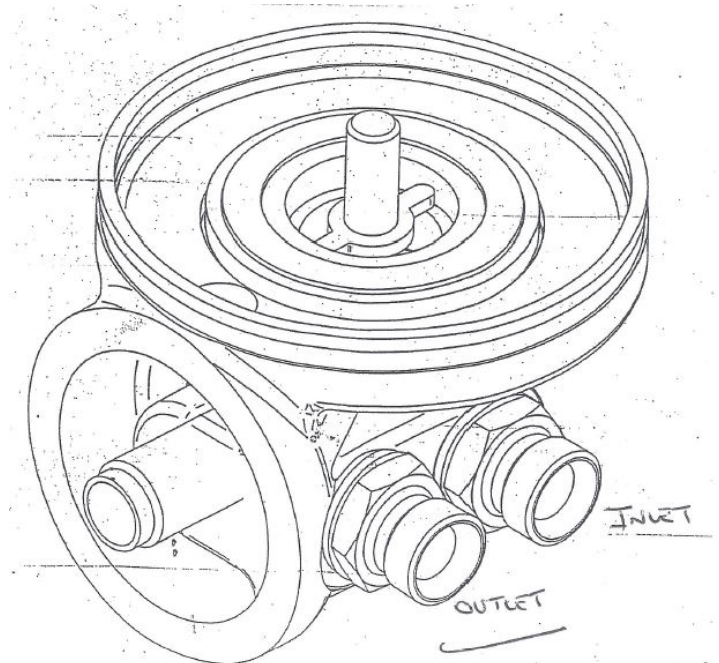
Part Number: RR1275

The Triumph 6 cylinder spin on adapter has been re-designed in line with our policy of continual product improvement.

This re-design compensates for the variations between the depths of the inner and outer O ring grooves, by allowing the spin on inner to move in relation to the spin on outer, the inner seal being maintained by spring pressure. The adaptor comes as an assembled kit ready for fitting to the engine block.

Having removed the existing filter head assembly and seal, wipe face of th engine block clean. Fit the new outer seal to the engine block and inner seal to the spin on adaptor then fit the assembly to the engine block.

Fit the oil filter in accordance with the manufacturer's instructions. Check for leaks. Re-tighten after running 100 miles.



Quality Parts and Accessories for



Triumph House, Sleaford Road, Bracebridge Heath, Lincoln LN4 2NA, England
Telephone: 01522 568000 | E-mail: customer.services@rimmerbros.com

www.rimmerbros.com



A BRITISH COMPANY SUPPORTING BRITISH CARS

Quality Parts and Accessories for



Triumph House, Sleaford Road, Bracebridge Heath, Lincoln LN4 2NA, England
Telephone: 01522 568000 | E-mail: customer.services@rimmerbros.com

www.rimmerbros.com

Registered in England No. 2155394