

SPIN ON ADAPTER

Triumph TR7 & Stag

Part Number: **RB7016**



LIST OF PARTS

X1 SEAL

X1 O-RING 3.53mm dia

X1 SPIN ON ASSEMBLY

X1 SPIGOT

To compensate for the variations in filter head tolerances, the spin on consists of three parts, spin on inner, outer and O-ring. The variations in tolerances are taken up by the spin on outer sliding over the spin on inner. The integrity of the seal between the inner and outer is maintained by an O-ring.

FITTING INSTRUCTIONS

1. Remove existing oil filter bowl and sealing ring. Place the large sealing ring in the filter head recess.
2. Apply grease to the O-ring (item 1) and then fit to the spin on assembly (item 3)
3. To ensure that the inner O-ring (item 2) is seated correctly, slide the spin on outer over the spin on inner, so that the outer seal face is in line with the inner flange face. The spin on outer will then sit back from the filter head sealing face when locating the spin on inner.
4. Secure the assembly to the filter head with the spigot (item 4). Tighten the spigot until the O-ring contacts the seal face then tighten a further $\frac{1}{4}$ of a turn. Push the spin on outer home. The oil seal between the spin on outer and the filter head will be created when the oil filter is fitted.
5. Fit the oil filter in accordance with the manufacturer's instructions. Re-tighten after running 100 miles.

We recommend oil filters with $\frac{3}{4}$ UNF thread and anti-drain valve.

QUALITY PARTS AND ACCESSORIES

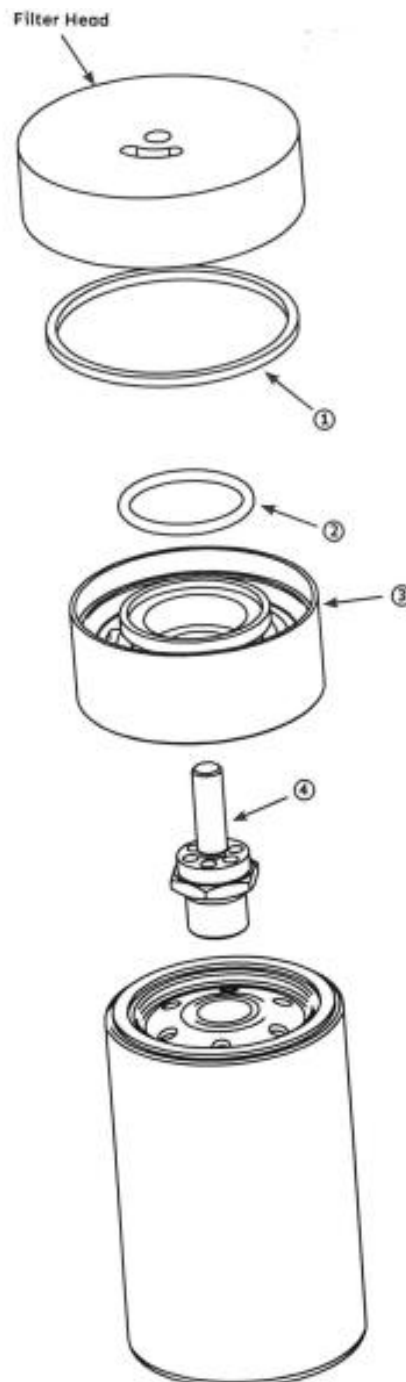


Triumph House, Sleaford Road, Bracebridge Heath, Lincoln LN4 2NA, England

UK Tel: +44 (0)1522 568000 | USA Tel: 1 855 746 2767 | Fax: +44 (0)1522 567600 | E-mail: sales@rimmerbros.com

www.rimmerbros.com

Note: The filter head shown is a schematic representor of a filter head. The filter head on your car may not look like this



QUALITY PARTS AND ACCESSORIES



Triumph House, Sleaford Road, Bracebridge Heath, Lincoln LN4 2NA, England

UK Tel: +44 (0)1522 568000 | USA Tel: 1 855 746 2767 | Fax: +44 (0)1522 567600 | E-mail: sales@rimmerbros.com

www.rimmerbros.com