

SIDE STEP KIT ALUMINIUM WITH BLACK TREAD PLATE Land Rover Freelander 2



Part Number: LR002773P

WARNING

Accessories which are not properly fitted can be dangerous. Read the instructions carefully prior to fitting. Whilst fitting, comply with the instructions at all times. If in doubt, contact your nearest Land Rover Dealer.

ACHTUNG!

Nicht sachgemäß montiertes Zubehör kann gefährlich sein. Lesen Sie die Montageanleitung sorgfältig, bevor Sie das Teil montieren. Halten Sie sich bei der Montage an die Anleitung. Bei Unsicherheiten wenden Sie sich bitte an Ihren Land Rover Händler.

AVERTISSEMENT

Les accessoires qui ne sont pas correctement montés risquent d'être dangereux. Veuillez lire soigneusement les instructions avant d'effectuer la pose. Respectez toujours les instructions en cours de pose. En cas de doute, consultez votre concessionnaire Land Rover local.

AVVERTENZA

Gli accessori non sistemati come previsto possono essere pericolosi. Leggere attentamente le istruzioni prima del fissaggio. Durante il montaggio seguire sempre le relative istruzioni. In caso di dubbio rivolgersi al più vicino concessionario della Land Rover.

AVISO

Aquellos accesorios que no hayan sido ajustados debidamente pueden resultar peligrosos. Lea las instrucciones detenidamente antes de iniciar el montaje. Durante el montaje siga las instrucciones en todo momento. En caso de duda póngase en contacto con su Concesionario de Land Rover.

ADVERTÊNCIA!

Os Acessórios que não são montados adequadamente podem ser perigosos. Leia as instruções cuidadosamente antes de montar. Durante a montagem, obedeça as instruções todo o tempo. Se tiver alguma dúvida, contacte o Concessionário LandRover mais próximo.

WAARSHCUWING

Accessoires die niet op de juiste wijze zijn gemonteerd kunnen gevaar opleveren. Lees zorgvuldig de instructies alvorens met de montage te beginnen. Houd u tijdens de montage te allen tijde aan de instructies. Neem bij twijfel contact op met de dichtstbijzijnde Land Rover dealer.

ΠΡΟΕΙΔΟΠΟΙΗΣΗ

Τα προαιρετικά εξαρτήματα που δεν έχουν τοποθετηθεί σωστά μπορεί να είναι επικίνδυνα. Διαβάστε τις οδηγίες πριν προχωρήσετε στην τοποθέτησή τους. Κατά την τοποθέτησή, τηρείτε συνεχώς τις οδηγίες. Αν έχετε οποιαδήποτε αμφιβολία, επικοινωνήστε με τον πλησιέστερο αντιπρόσωπο της.

注意

正しく取り付けられていない部品があると、事故の原因になります。取付ける前にこのマニュアルをよくお読みください。取付けの際は必ずこのマニュアルにある指示に従ってください。何か不明な点がありましたら、お近くのランド・ローバー社のディーラーまでお問い合わせください。

Quality Parts and Accessories for

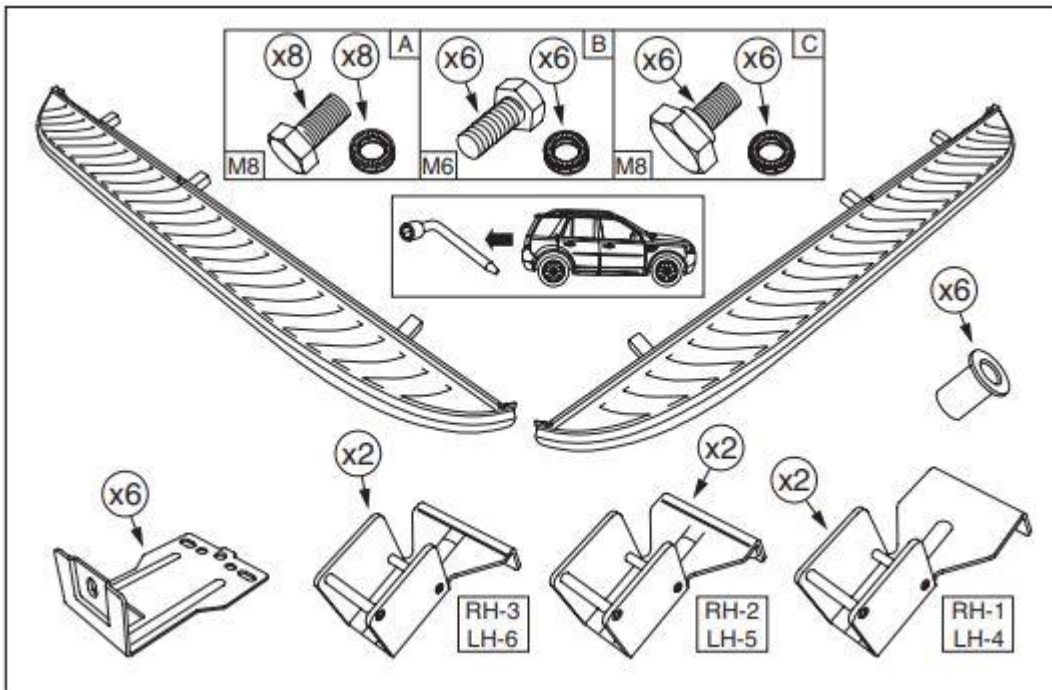
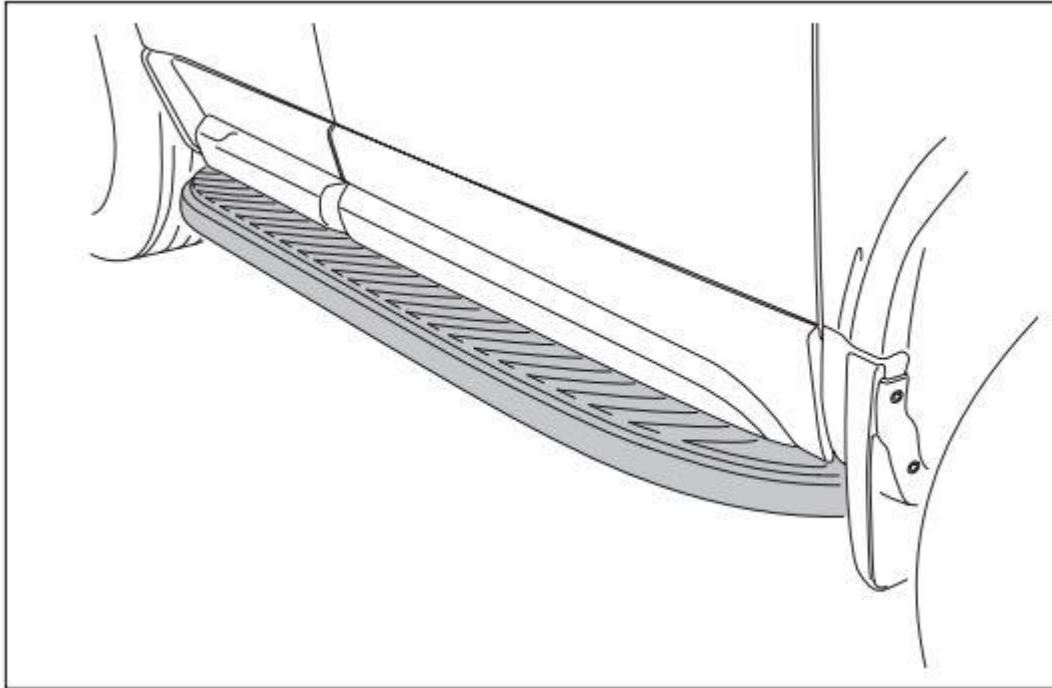


Triumph House, Sleaford Road, Bracebridge Heath, Lincoln LN4 2NA, England
Telephone: 01522 568000 | E-mail: customer.services@rimmerbros.com

www.rimmerbros.com

RIMMER BROS EST 1982

A BRITISH COMPANY SUPPORTING BRITISH CARS



Quality Parts and Accessories for



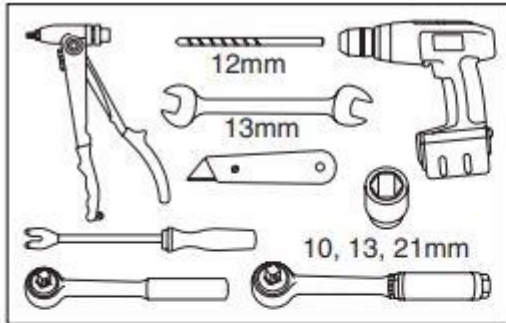
Triumph House, Sleaford Road, Bracebridge Heath, Lincoln LN4 2NA, England
Telephone: 01522 568000 | E-mail: customer.services@rimmerbros.com

www.rimmerbros.com

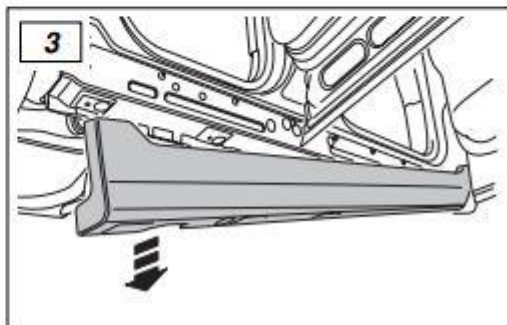
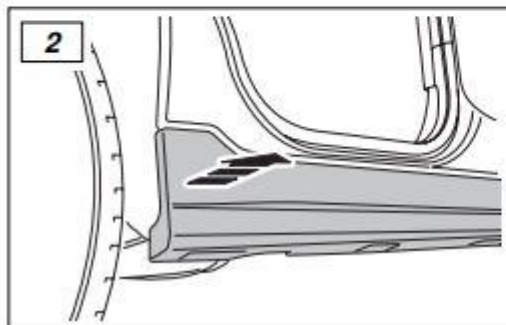
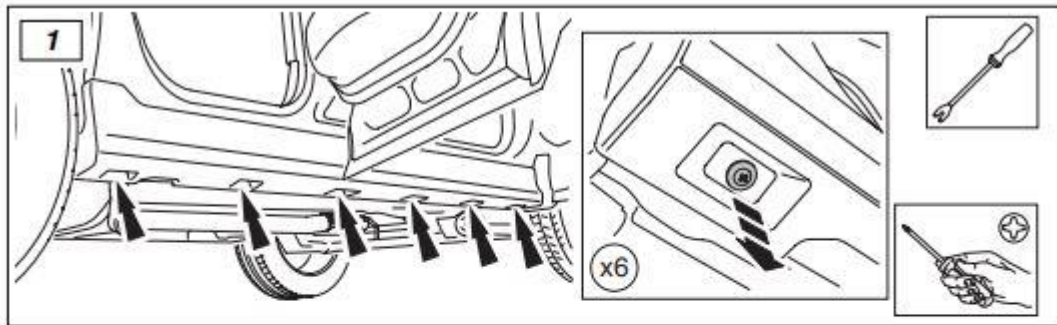
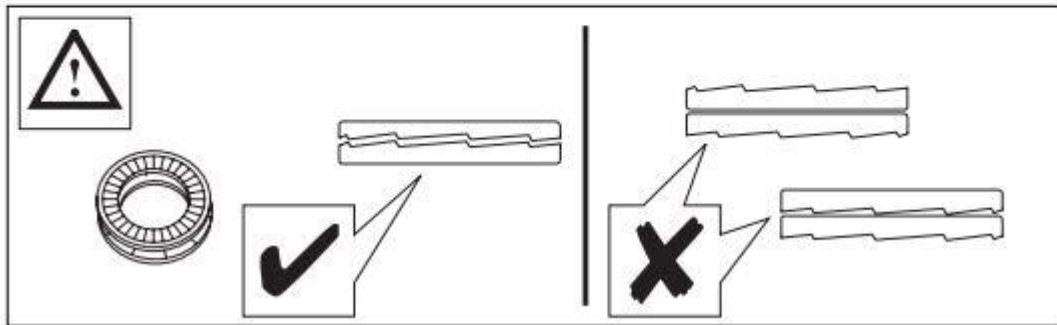
Registered in England No. 2155394

RIMMER BROS EST 1982

A BRITISH COMPANY SUPPORTING BRITISH CARS



- (GB)** The following instructions are valid for both sides of the vehicle.
- (D)** Folgende Anweisungen gelten für beide Fahrzeugseiten.
- (F)** Les instructions suivantes sont applicables aux deux côtés du véhicule.
- (I)** Le istruzioni seguenti sono valide per entrambe le fiancate della vettura.
- (E)** Las siguientes instrucciones son válidas para ambos lados del vehículo.
- (P)** As instruções a seguir aplicam-se a ambos os lados do veículo.
- (NL)** De volgende instructies zijn van toepassing op beide zijden van de auto.
- (GR)** Οι ακόλουθες οδηγίες ισχύουν και για τις δύο πλευρές του οχήματος.
- (日)** 次の取付け方法は車の両サイドに適用できます。



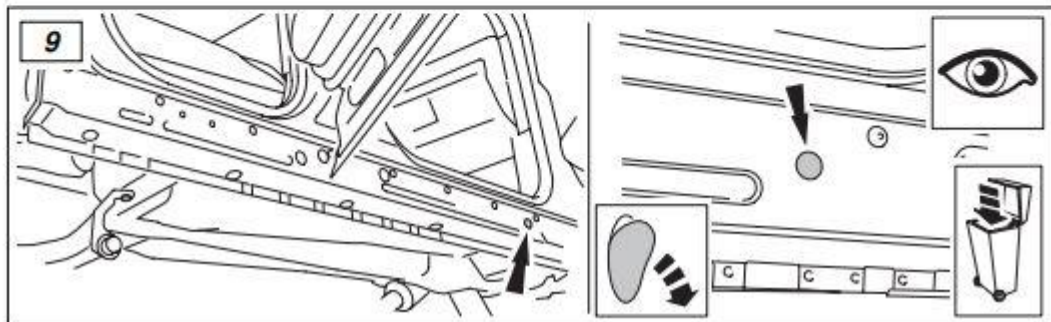
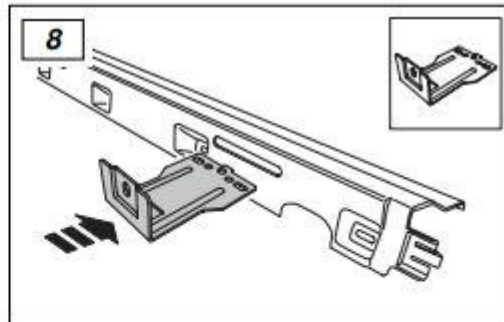
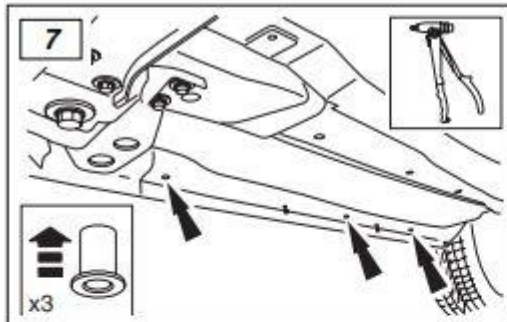
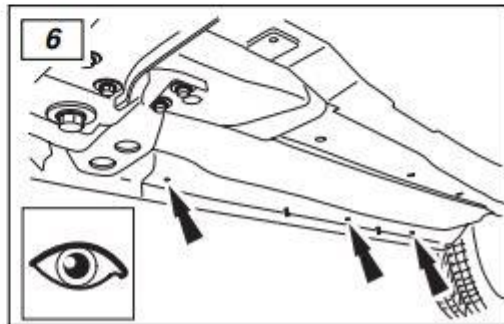
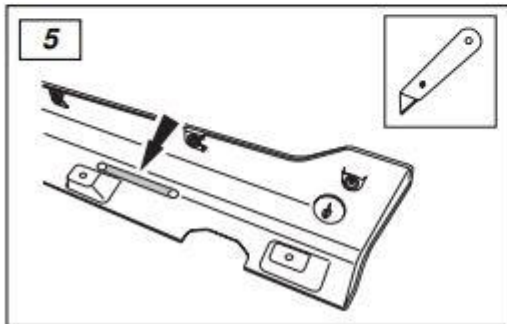
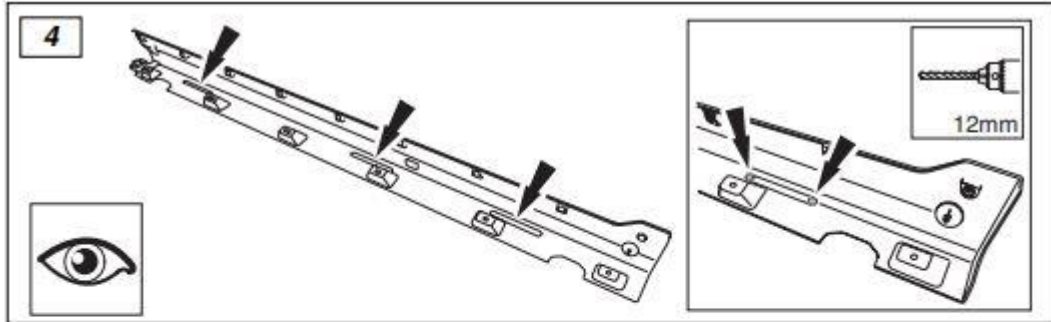
Quality Parts and Accessories for



Triumph House, Sleaford Road, Bracebridge Heath, Lincoln LN4 2NA, England
 Telephone: 01522 568000 | E-mail: customer.services@rimmerbros.com

www.rimmerbros.com

Registered in England No. 2155394

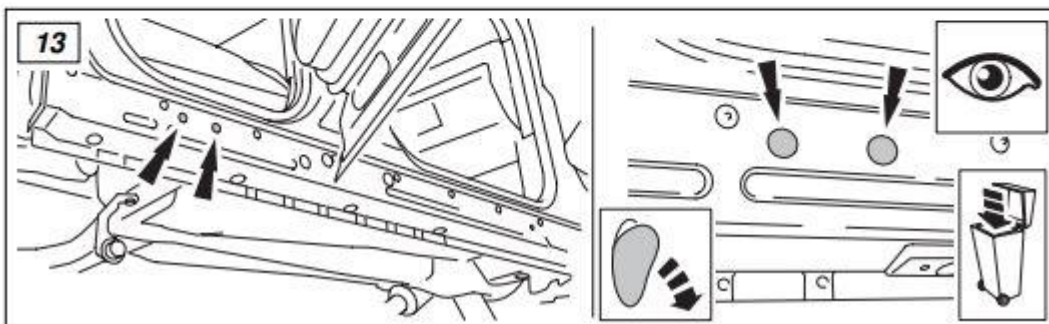
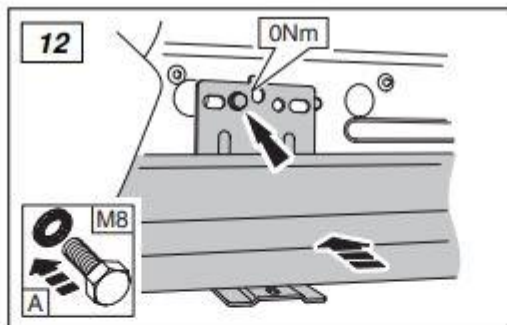
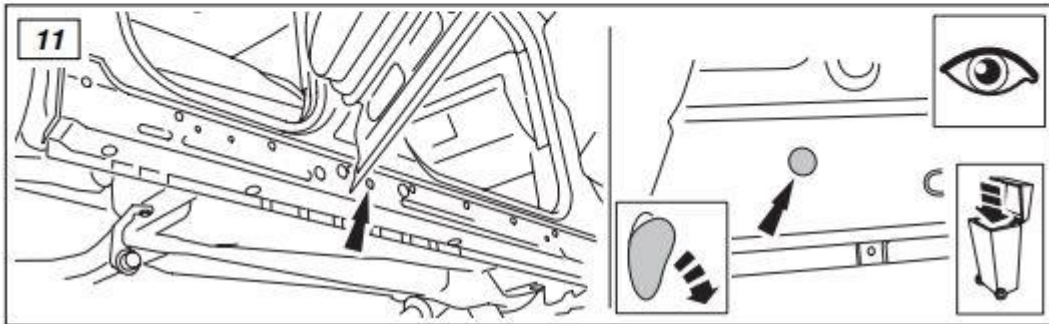
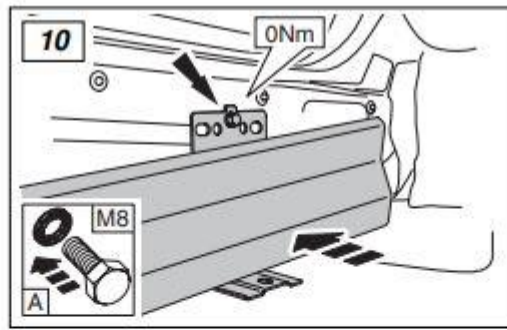


Quality Parts and Accessories for



Triumph House, Sleaford Road, Bracebridge Heath, Lincoln LN4 2NA, England
 Telephone: 01522 568000 | E-mail: customer.services@rimmerbros.com

www.rimmerbros.com

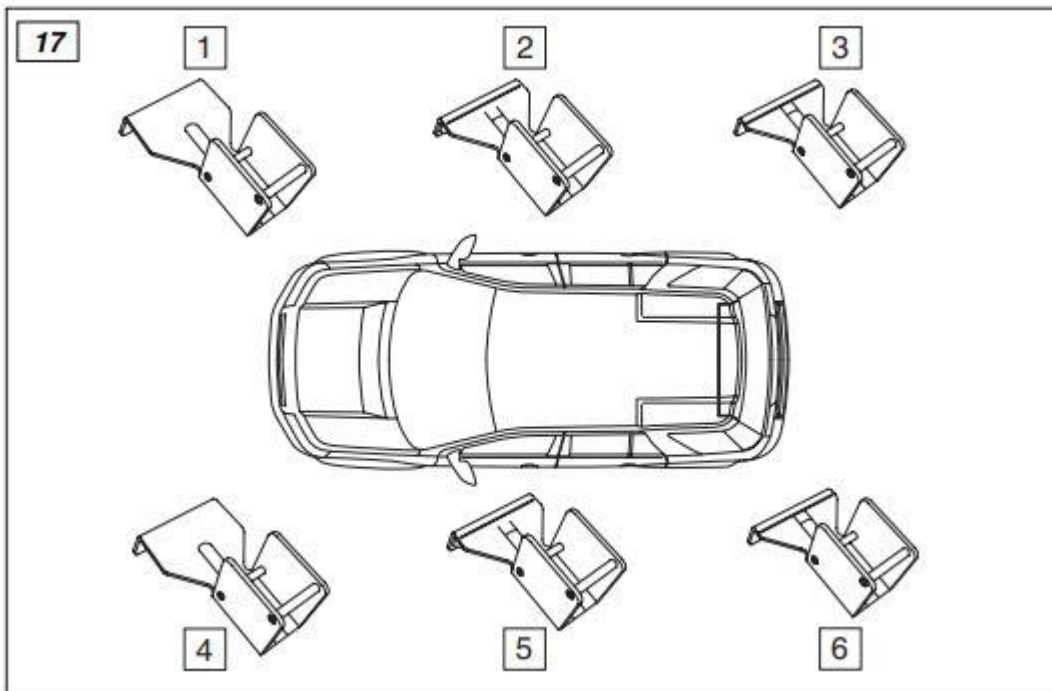
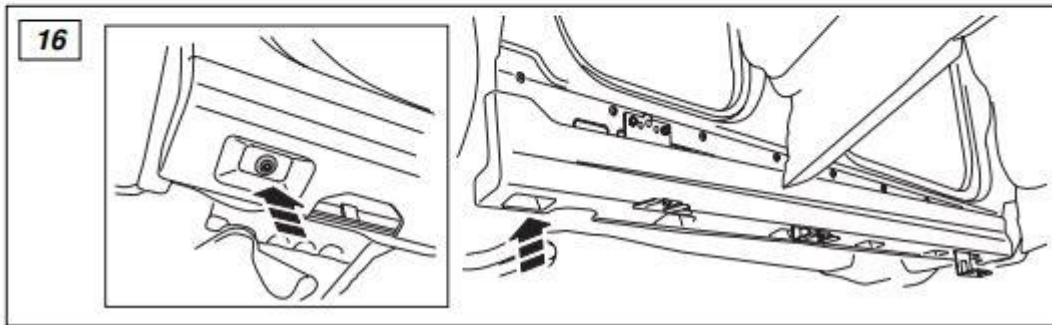
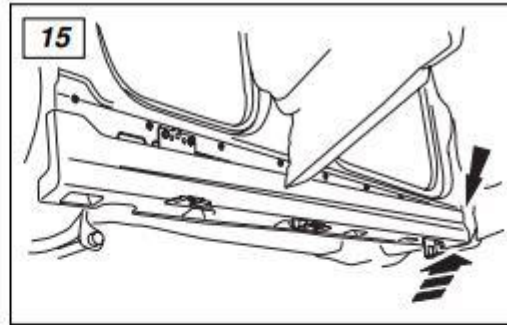
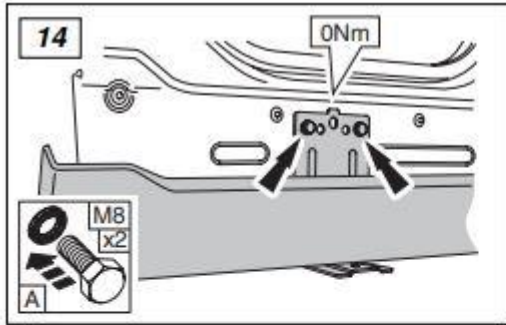


Quality Parts and Accessories for



Triumph House, Sleaford Road, Bracebridge Heath, Lincoln LN4 2NA, England
 Telephone: 01522 568000 | E-mail: customer.services@rimmerbros.com

www.rimmerbros.com

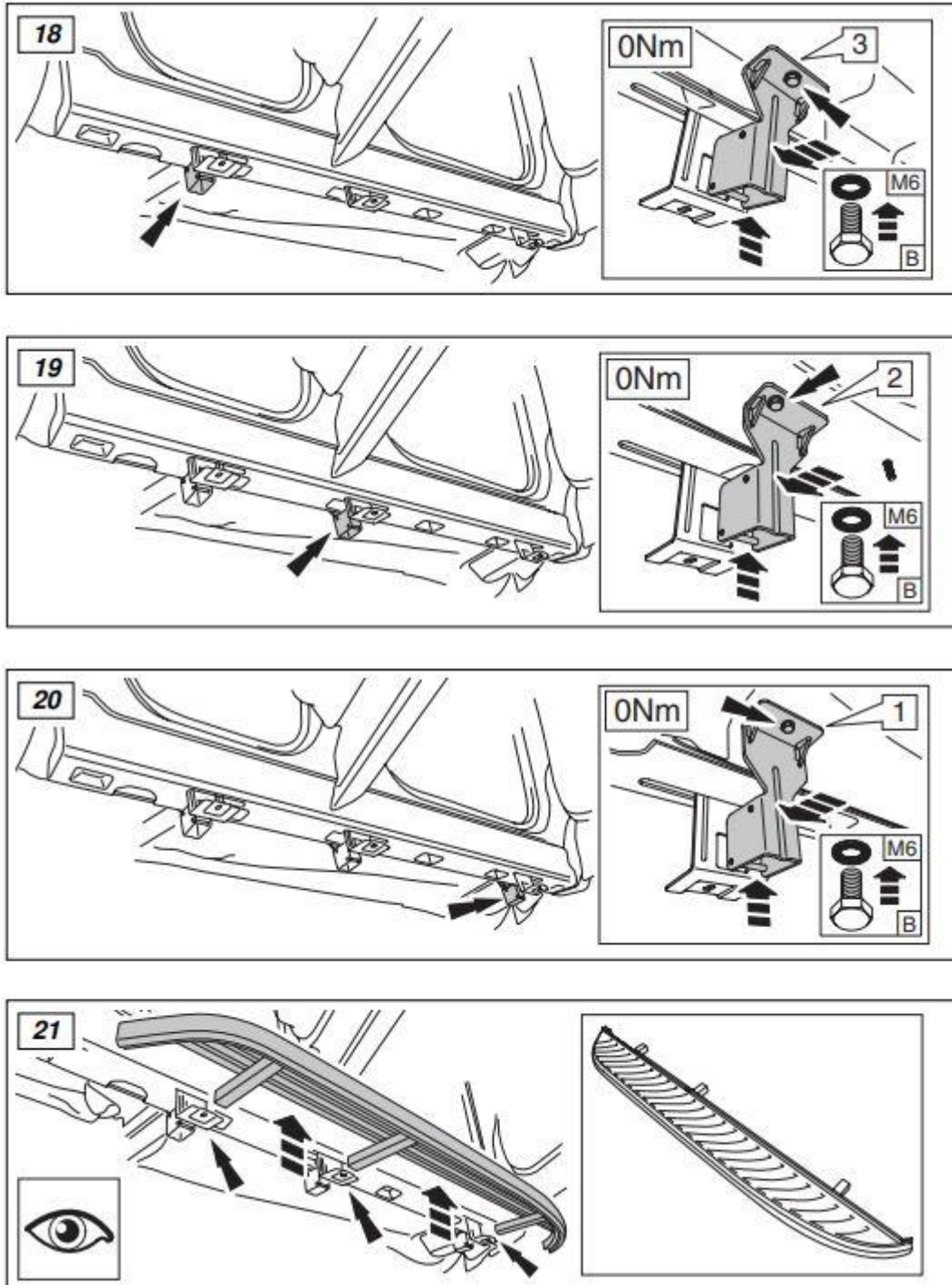


Quality Parts and Accessories for



Triumph House, Sleaford Road, Bracebridge Heath, Lincoln LN4 2NA, England
Telephone: 01522 568000 | E-mail: customer.services@rimmerbros.com

www.rimmerbros.com

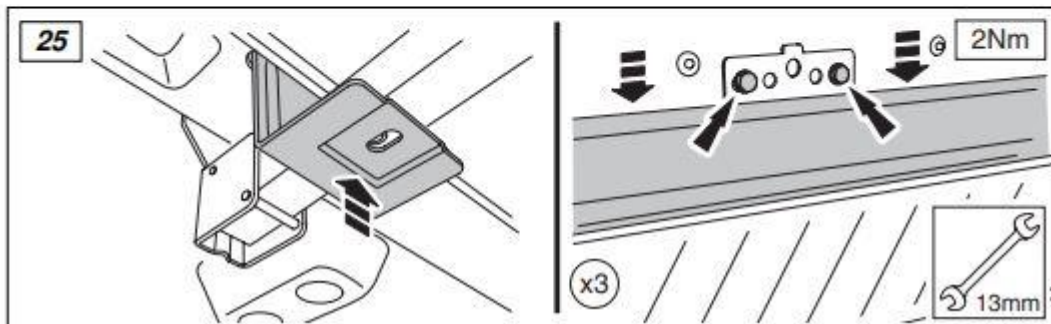
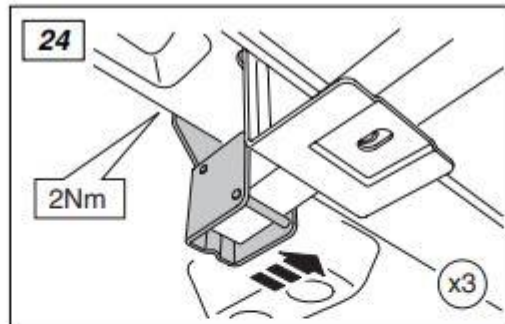
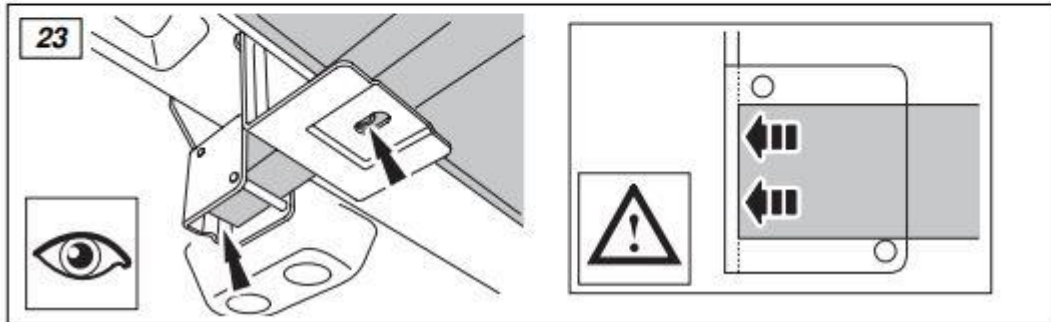
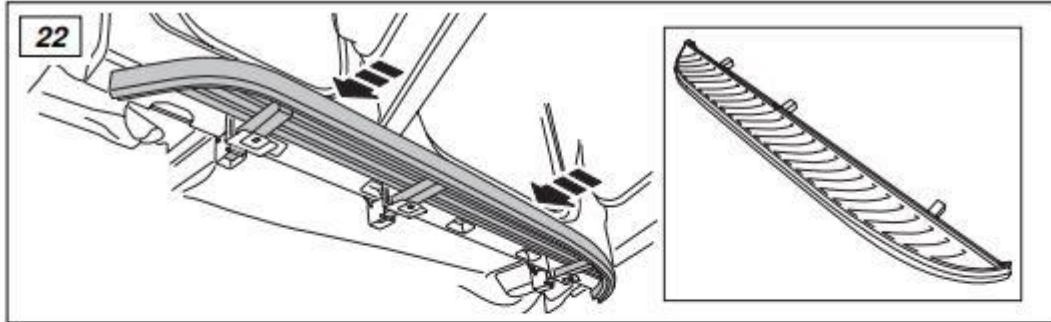


Quality Parts and Accessories for



Triumph House, Sleaford Road, Bracebridge Heath, Lincoln LN4 2NA, England
 Telephone: 01522 568000 | E-mail: customer.services@rimmerbros.com

www.rimmerbros.com

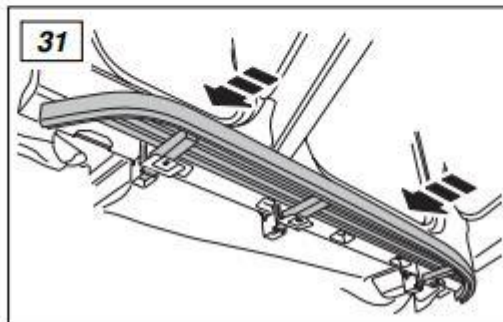
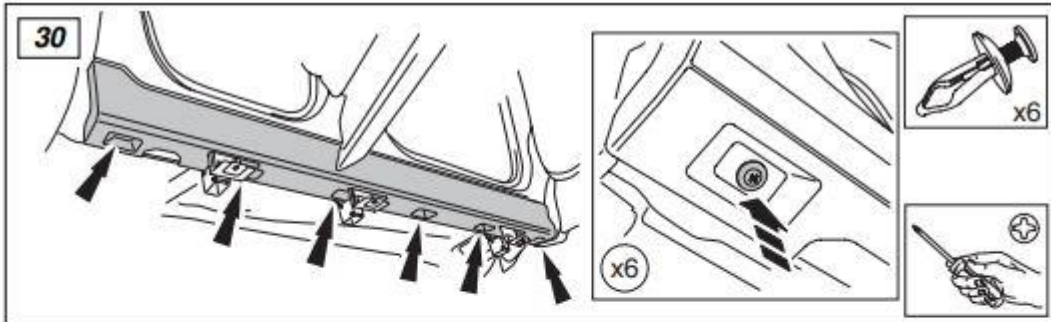
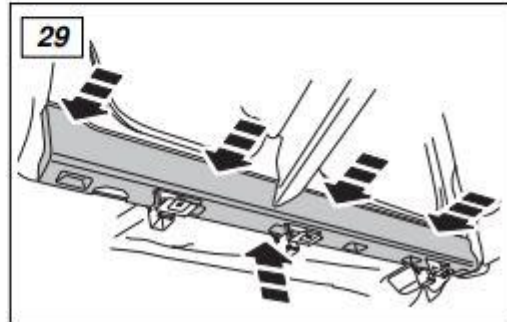
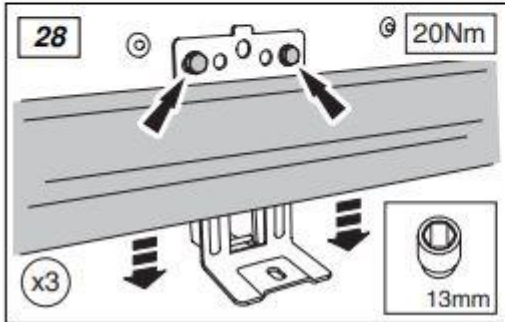
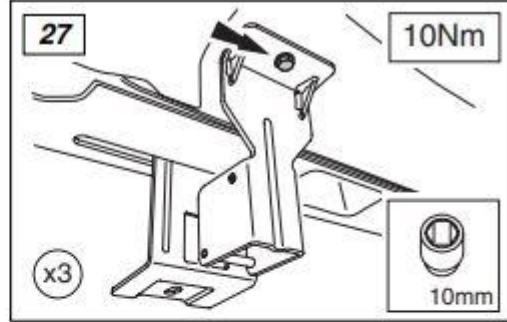
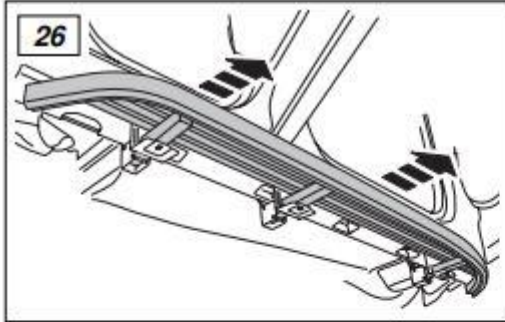


Quality Parts and Accessories for



Triumph House, Sleaford Road, Bracebridge Heath, Lincoln LN4 2NA, England
Telephone: 01522 568000 | E-mail: customer.services@rimmerbros.com

www.rimmerbros.com

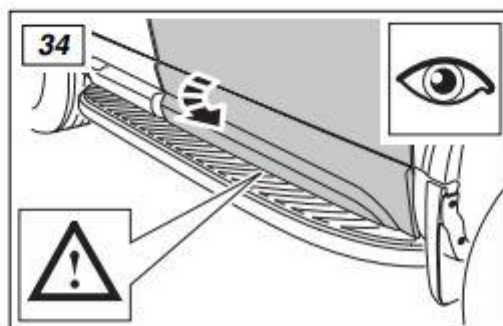
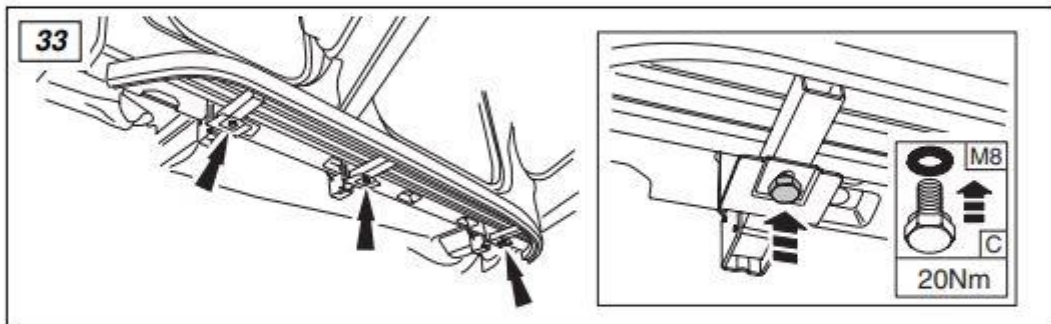
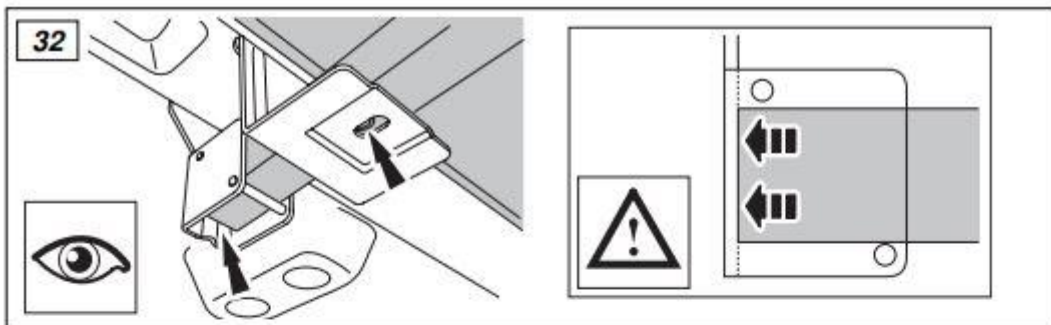


Quality Parts and Accessories for



Triumph House, Sleaford Road, Bracebridge Heath, Lincoln LN4 2NA, England
Telephone: 01522 568000 | E-mail: customer.services@rimmerbros.com

www.rimmerbros.com

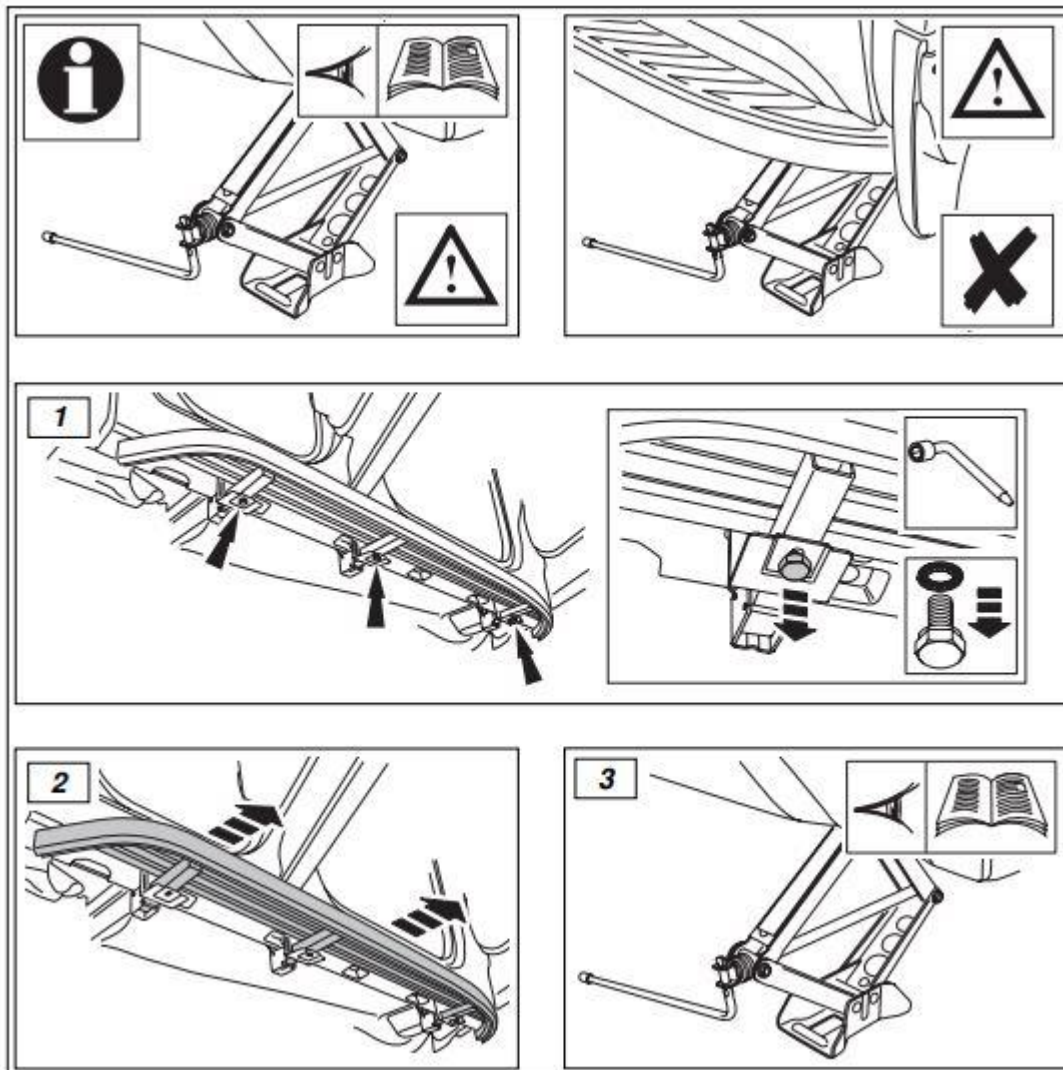


Quality Parts and Accessories for



Triumph House, Sleaford Road, Bracebridge Heath, Lincoln LN4 2NA, England
Telephone: 01522 568000 | E-mail: customer.services@rimmerbros.com

www.rimmerbros.com



Quality Parts and Accessories for



Triumph House, Sleaford Road, Bracebridge Heath, Lincoln LN4 2NA, England
Telephone: 01522 568000 | E-mail: customer.services@rimmerbros.com

www.rimmerbros.com