



Owner Handbook



CK6
MG Midget Mk II/IV
Sprite Mk II/IV

Introduction

Thank you for buying this CK 6 lever arm to telescopic damper conversion kit. Your kit is Epoxy Powder Coated and Dyno tested to the strictest TÜV standards. The dampers are Krypton Gas filled to give stunning high speed performance and better quality low speed ride.

Safety First

- If working under or on a lifted vehicle, ensure that it is safely supported.
- If compressing a spring, ensure that the correct tools are used. Failure to do this can result in serious or fatal injury.
- SPAX dampers are gas pressurised. Never puncture, dismantle or incinerate.
- The literature contained with this suspension kit is meant as a guide only and is not comprehensive. SPAX Performance Ltd accepts no liability whatsoever for damage, loss or injury incurred as a result of using this literature.

Fitting Notes

- SPAX recommends that this kit be fitted by a suspension specialist.
- Never grip or hit the damper piston rod. This will damage the highly polished surface, leading to premature damper failure
- Never use an impact wrench to tighten nuts and bolts.
- Never force the damper adjusters. Forcing them will cause damage.

Kit Contents

- 2 G736 Dampers
- 2 Upper brackets (handed)
- 2 Lower Stub
- 4 17mm x 34mm Washers
- 4 13mm x 28mm Washers
- 4 M12 x 1.5 Nyloc Nuts
- 2 ½" UNF x 1½" Bolts
- 2 13mm Spring Washers
- 2 ½" UNF Nyloc Nuts
- 2 7/16" x 7/8" Washers
- 2 11mm Spring Washers
- 2 7/16" Nyloc Nut



Fitting Instructions

1. Remove the existing lever arm damper from the vehicle.
2. Fit the SPAX upper bracket (A) in position as shown in the diagram opposite using the original bolts (replace if corroded) and the supplied ½" x 1½" with the locking washer and nyloc nut through holes (E).
3. Remove the original spring clamp plate (B) from the spring pack and replace with the clamp from the opposite side of the vehicle inverted as in the diagram.
4. Fit the fixing pin (F) to the lower plate (B) with the washer and Nyloc nut supplied.
5. To fit the damper (C) firstly fit the large washer to the mounting pin. With a bush fitted in each side of the damper eye fit the damper onto the pins as shown in the diagram. Fit the smaller washer followed by the Nyloc nut and tighten with the vehicle at ride height.
6. After approximately 100 miles check all fixing bolts.

Setting Up

Your CK kit is adjustable for damping force. Adjustments can be made without any dismantling of components, making it simpler, faster and easier to obtain your ultimate set-up.

- All Krypton Gas dampers have 28 stages of adjustment. This allows a wide range of adjustment to suit different driving styles and road conditions.
- The dampers are adjustable in rebound and in bump.
- To obtain the ideal set up for you and your car, we recommend initially setting the dampers to 4 clicks up from fully soft (anti-clockwise).
- Then adjust up in 4 click steps. Every time the driving sensation improves, carry on adjusting up by 4 clicks. When the driving sensation deteriorates adjust back one click at a time until you find your perfect setting.

Use

SPAX performance suspension is designed to improve the safety and performance your car.

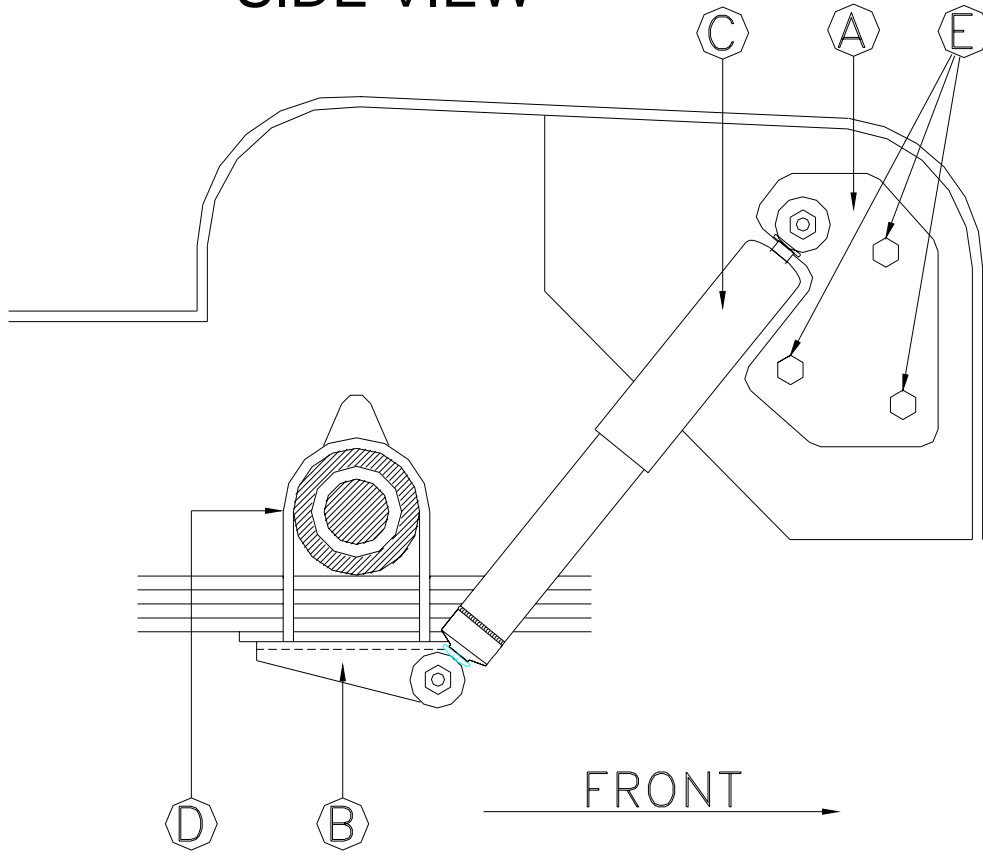
This suspension kit has been designed for road use and for limited track day use.

Maintenance

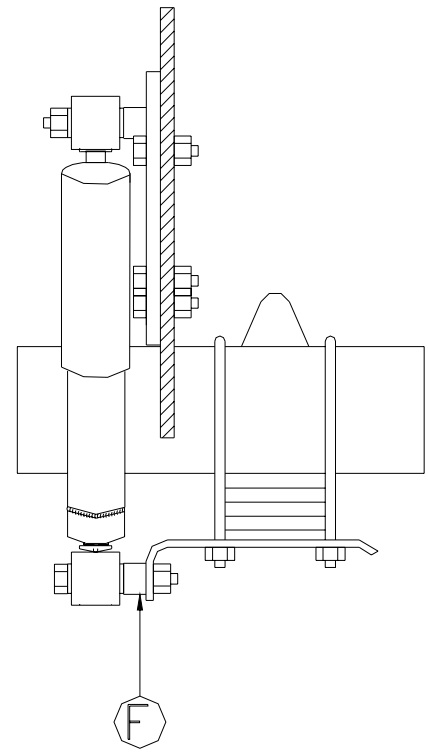
Clean components using mild detergent and water. Never use abrasive products. Long-term exposure to corrosive conditions (e.g. salt, acids) or driving in sandy or dusty conditions will reduce the life span of the components.

The damper adjuster mechanism should be adjusted regularly and lubricated with a waxy corrosion inhibitor to prolong the life of the components.

SIDE VIEW



FRONT VIEW



- A. UPPER BRACKET
- B. CLAMP PLATE FROM THE OPPOSITE SIDE INVERTED.
- C. SHOCK ABSORBER.
- D. REAR AXLE.
- E. EXISTING HOLES OF ORIGINAL CANTILEVER.
- F. FIXING PIN.

What makes SPAX special?

TüV Certification of the Company & Products - The toughest quality standard in Europe

POWDER COATING to give looks and protection that are second to none

DYNO TESTING of each and every damper so you get maximum performance and quality - guaranteed

GAS DAMPERS - Krypton pressurised for stunning high speed performance and superior low speed ride

Everything Adjustable on car, with no dismantling

