



Owner Handbook



CK12
MG B Front

Introduction

Thank you for buying this CK 12 lever arm to telescopic damper conversion kit. Your kit is Epoxy Powder Coated and Dyno tested to the strictest TÜV standards. The dampers are Krypton Gas filled to give stunning high speed performance and better quality low speed ride.

Safety First

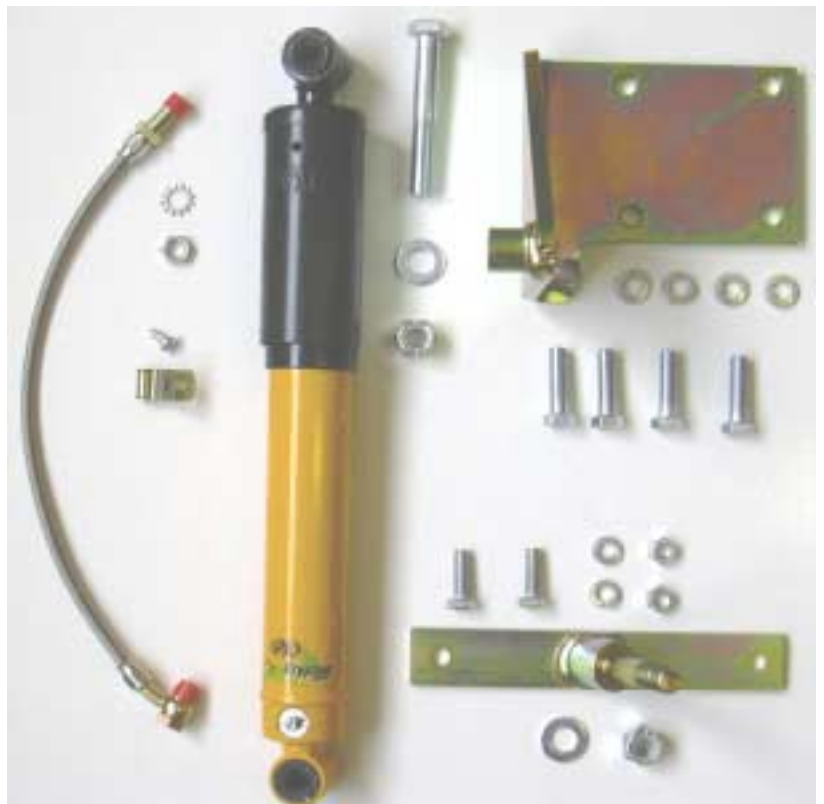
- If working under or on a lifted vehicle, ensure that it is safely supported.
- If compressing a spring, ensure that the correct tools are used. Failure to do this can result in serious or fatal injury.
- SPAX dampers are gas pressurised. Never puncture, dismantle or incinerate.
- The literature contained with this suspension kit is meant as a guide only and is not comprehensive. SPAX Performance Ltd accepts no liability whatsoever for damage, loss or injury incurred as a result of using this literature.

Fitting Notes

- SPAX recommends that this kit be fitted by a suspension specialist.
- Never grip or hit the damper piston rod. This will damage the highly polished surface, leading to premature damper failure
- Never use an impact wrench to tighten nuts and bolts.
- Never force the damper adjusters. Forcing them will cause damage.
- This kit retains the original lever arm as it doubles as the upper wishbone however the valving is removed.

Kit Contents

- 2 G942 Dampers
- 2 Upper brackets (handed)
- 2 Lower mounting pin
- 2 1/2" Upper bolts
- 4 1/2" Plain washers
- 4 1/2" Nyloc nuts
- 8 3/8" Mounting bolts
- 8 3/8" Spring washers
- 4 5/16" Bolts
- 4 5/16" Spring washers
- 4 5/16" Nyloc nuts
- 2 Braided brake hoses
- 2 P-Clips
- 2 Self-tapping screws
- 2 Brake hose star washers
- 2 3/8" Brake hose nuts



Fitting Instructions

1. With the front of the car supported on axle stands raise the front A arms so that the lever arm link is clear of the lever arm rebound buffer and no load is on the hub disk or link.
2. Remove the lever arm unit and inspect for any wear and replace if necessary. If ok, remove the valving and refit to the car with the upper mounting plate underneath as shown in the diagram. Tighten the bolts to 30Nm (40 lbs ft).
3. Fit the new brake hose attaching to the subframe as shown with the P-clip and self-tapping screw. Check after bleeding for any leaks.
4. Fit the lower mounting pin using the 5/16" bolts, spring washers and nuts supplied.
5. Finally fit the SPAX dampers onto the fixing pins with the ½" nuts and washers supplied.
6. After approximately 100 miles check all fixing bolts.

Setting Up

Your CK kit is adjustable for damping force. Adjustments can be made without any dismantling of components, making it simpler, faster and easier to obtain your ultimate set-up.

- All Krypton Gas dampers have 28 stages of adjustment. This allows a wide range of adjustment to suit different driving styles and road conditions.
- The dampers are adjustable in rebound and in bump.
- To obtain the ideal set up for you and your car, we recommend initially setting the dampers to 4 clicks up from fully soft (anti-clockwise).
- Then adjust up in 4 click steps. Every time the driving sensation improves, carry on adjusting up by 4 clicks. When the driving sensation deteriorates adjust back one click at a time until you find your perfect setting.

Use

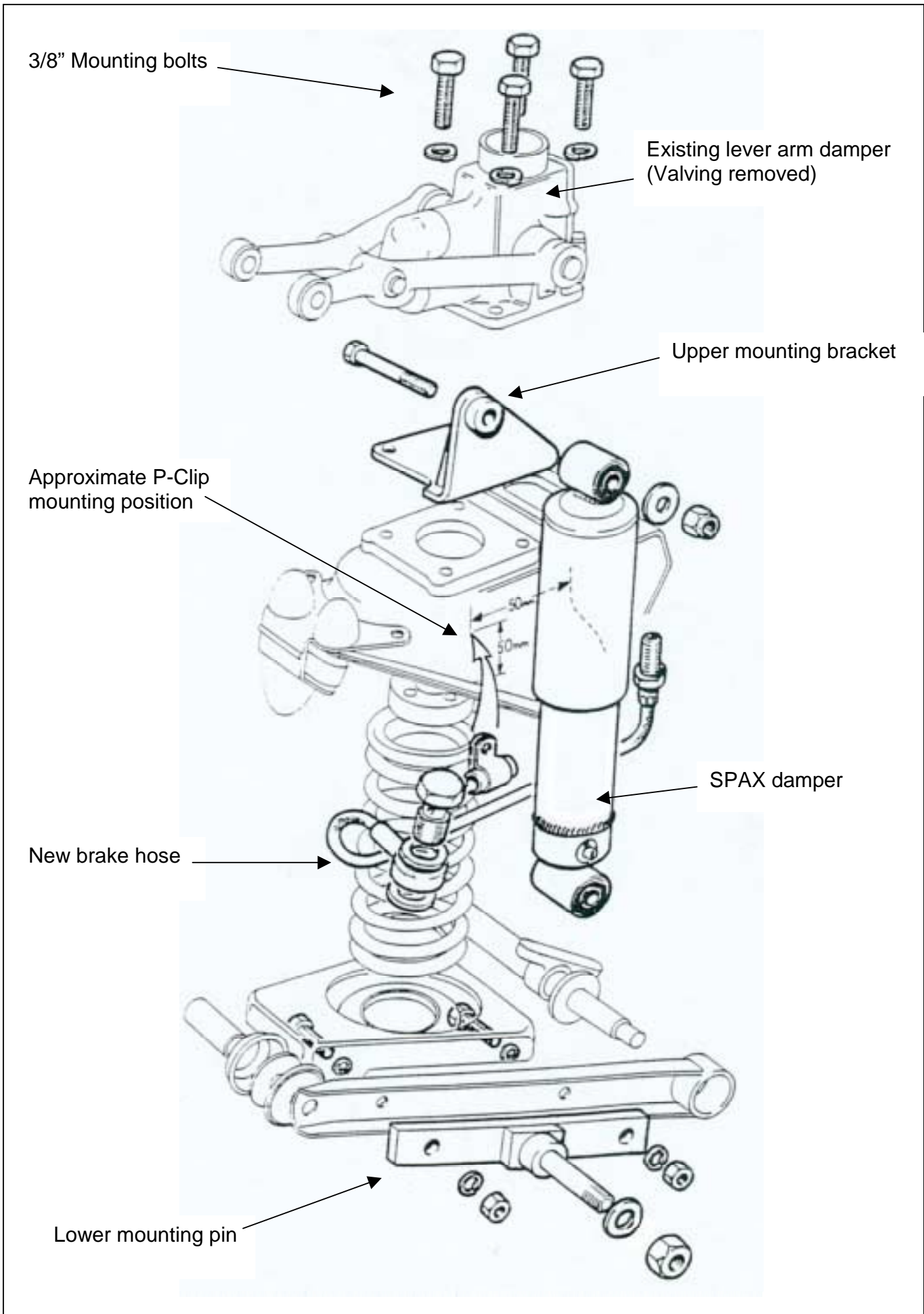
SPAX performance suspension is designed to improve the safety and performance your car.

This suspension kit has been designed for road use and for limited track day use.

Maintenance

Clean components using mild detergent and water. Never use abrasive products. Long-term exposure to corrosive conditions (e.g. salt, acids) or driving in sandy or dusty conditions will reduce the life span of the components.

The damper adjuster mechanism should be adjusted regularly and lubricated with a waxy corrosion inhibitor to prolong the life of the components.



What makes SPAX special?

TüV Certification of the Company & Products - The toughest quality standard in Europe

POWDER COATING to give looks and protection that are second to none

DYNO TESTING of each and every damper so you get maximum performance and quality - guaranteed

GAS DAMPERS - Krypton pressurised for stunning high speed performance and superior low speed ride

Everything Adjustable on car, with no dismantling

